

## Antenna - RAD-900-ANT-OMNI-2-N - 2904802

Please be informed that the data shown in this PDF Document is generated from our Online Catalog. Please find the complete data in the user's documentation. Our General Terms of Use for Downloads are valid (<http://phoenixcontact.com/download>)




Omnidirectional antenna, 868 MHz / 900 MHz, gain: 2 dBi, polarization: linear, opening angle: h/v 360°/50°, degree of protection: IP66, connection: N (female), for control cabinet mounting (optional wall mounting)

### Why buy this product

- For freely mobile applications
- For multipoint or mesh connections

### Key Commercial Data

Packing unit	1 STK
GTIN	 4 046356 916844
GTIN	4046356916844

### Technical data

#### Dimensions

Height	84 mm
Diameter	36 mm

#### Ambient conditions

Degree of protection	IP66
Ambient temperature (operation)	-40 °C ... 70 °C
Ambient temperature (storage/transport)	-40 °C ... 70 °C

#### General

With connecting cable	No
Frequency range	900 MHz
	868 MHz ... 960 MHz
Horizontal beamwidth	360 °
Vertical beamwidth	50 °
Polarization	Linear vertical

# Antenna - RAD-900-ANT-OMNI-2-N - 2904802

## Technical data

### General

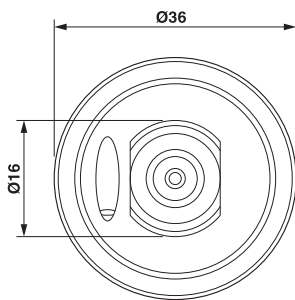
Impedance	50 $\Omega$
Gain	2.15 dBi
Connection method	Type N (female)
Material	Xenoy 5720U-7014 (Antenna housing)
Mounting type	Control cabinet
Assembly instructions	Optional wall mounting

### Environmental Product Compliance

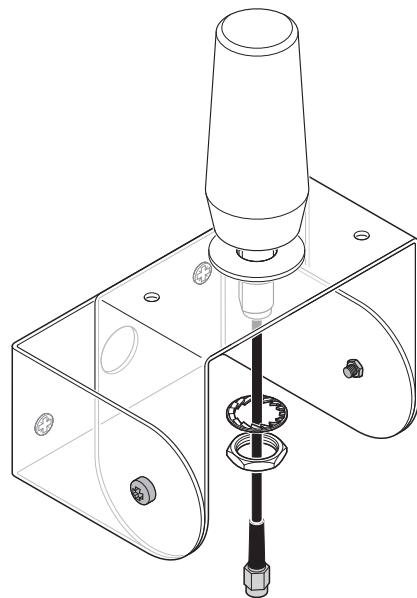
China RoHS	Environmentally friendly use period: unlimited = EFUP-e
	No hazardous substances above threshold values

## Drawings

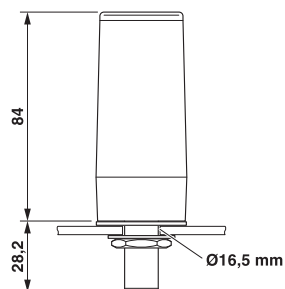
Dimensional drawing



Schematic diagram

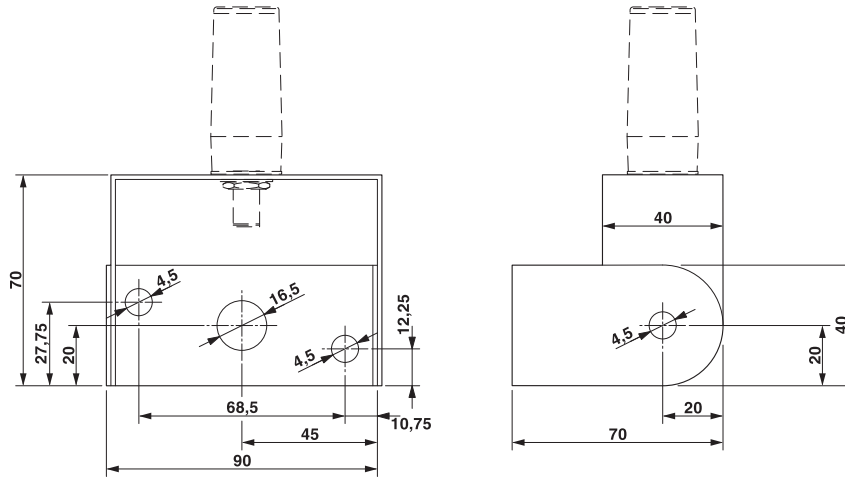


Schematic diagram



# Antenna - RAD-900-ANT-OMNI-2-N - 2904802

Dimensional drawing



Phoenix Contact 2018 © - all rights reserved  
<http://www.phoenixcontact.com>

PHOENIX CONTACT GmbH & Co. KG  
Flachsmarktstr. 8  
32825 Blomberg  
Germany  
Tel. +49 5235 300  
Fax +49 5235 3 41200  
<http://www.phoenixcontact.com>