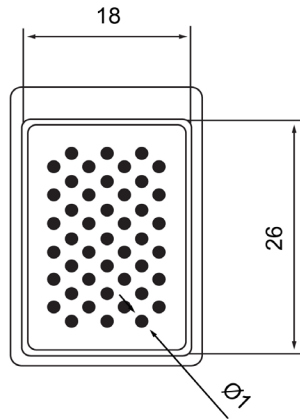
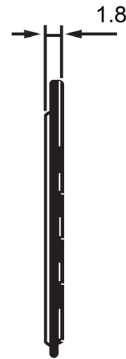


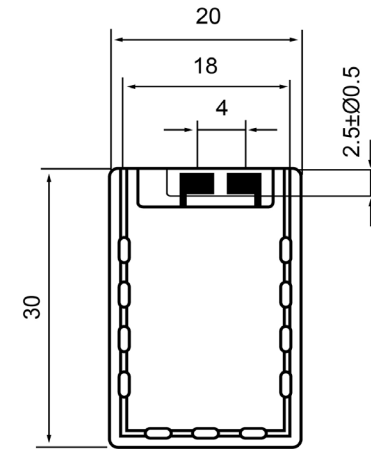
TOP VIEW



SIDE VIEW



BOTTOM VIEW



**Specifications**

Description	Value	Unit
Shape	Rectangle	
Resonant Frequency	800	(Hz)
Frequency Range	300 ~ 20,000	(Hz)
SPL @ 10cm	80	(dBA)
Capacitance	1,200	(nF)
Diaphragm Material	Piezo	
Rated Voltage	5	(V)
Max Input Voltage	16	(V)
Mount Type	Flush Mount	
Operating Temperature	-20 ~ +70	°C
Storage Temperature	-30 ~ +85	°C
Weight	2.6	(g)

**Notes**

- 1) All dimensions are in mm unless otherwise noted
- 2) All parts meet RoHS



**Revision History**

Version	Description	Date	Approved		
1	Released from Engineering	11/1/2013	J.S		
Drawn by	Date	Checked by	Date	Approved by	Date
A.B.	10/30/2013	C.E.	10/30/2013	J.S	10/31/2013

**Piezo Speaker**

**SZ300812-1**