

WF555E0037KB

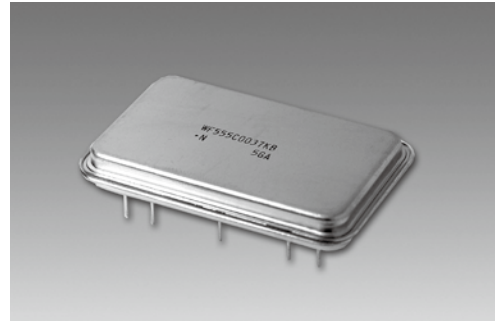
For High Precision Industry

Features

- IF SAW filter for digital terrestrial broadcasting.
- With a low-band ripple.
- A low group delay distortion.
- Excellent steepness characteristics.

Pb Free

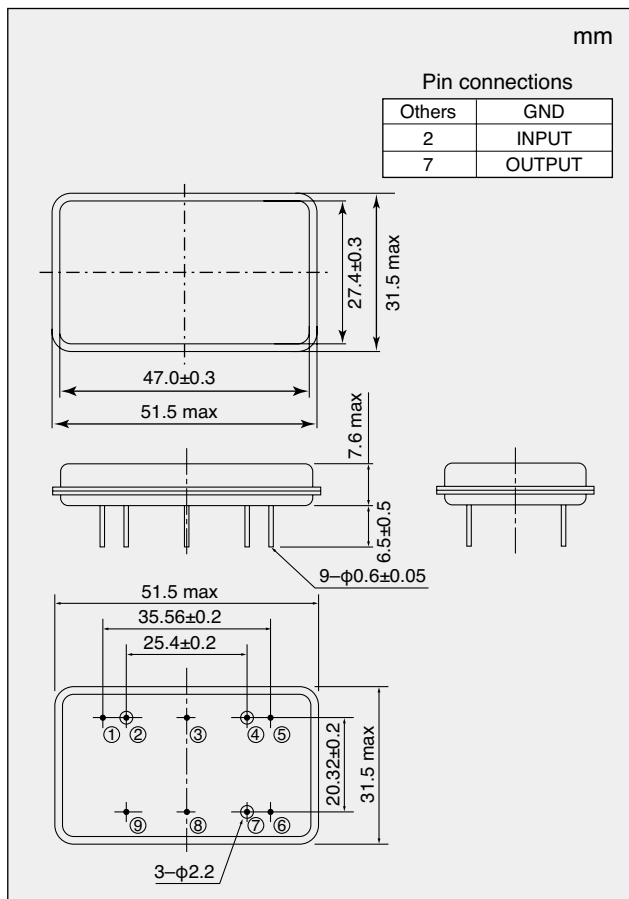
RoHS Compliant
Directive 2011/65/EU



Specifications

Model	WF555E0037KB		
Item	min.	typ.	max.
Nominal frequency : f ₀ (MHz)		37.15	
Minimum insertion loss (f ₀)(dB)	-	31.1	34
Ripple (f ₀ ±2.79 MHz)(dB)	-	0.25	0.5
Guaranteed attenuation (dB)	f ₀ ±3.2 to +15 MHz	32	36
Operating temperature range (°C)		-10 to +60	
Terminating impedance (Ω)		50	

Dimensions



Characteristics

