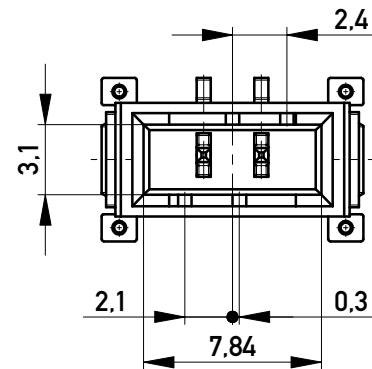
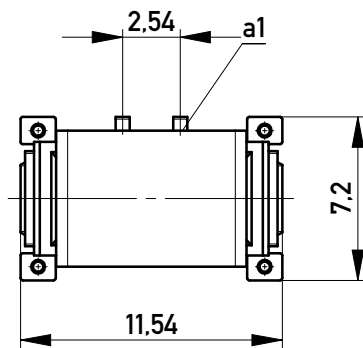
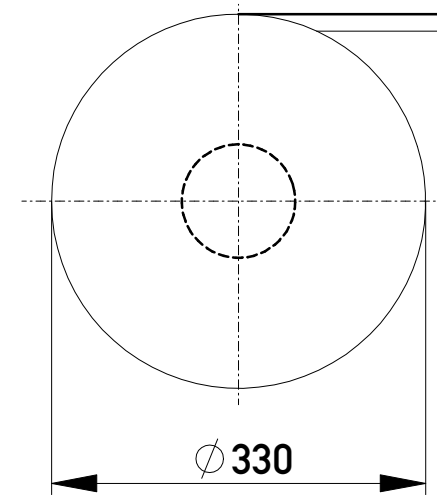


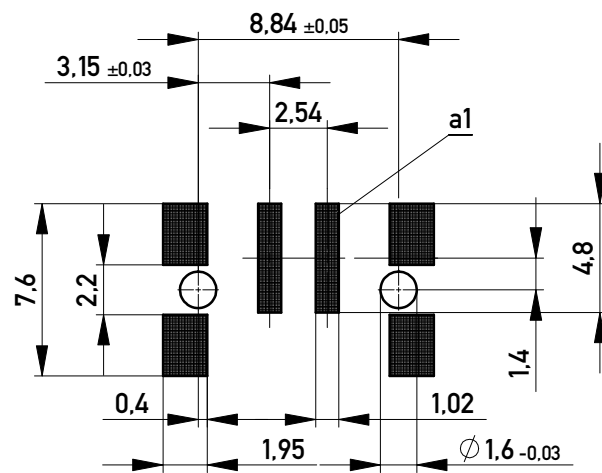
ohne Ansaughaube
without hood



Verpackt im Gurt in Anlehnung an DIN IEC 60286-3
Tape on Reel Packaging according to DIN IEC 60286-3
Verpackungseinheit: 320 Stück
Packaging unit: 320 pcs



Leiterplatten-Layout Vorschlag für SMT
PCB-Layout Proposal for SMT



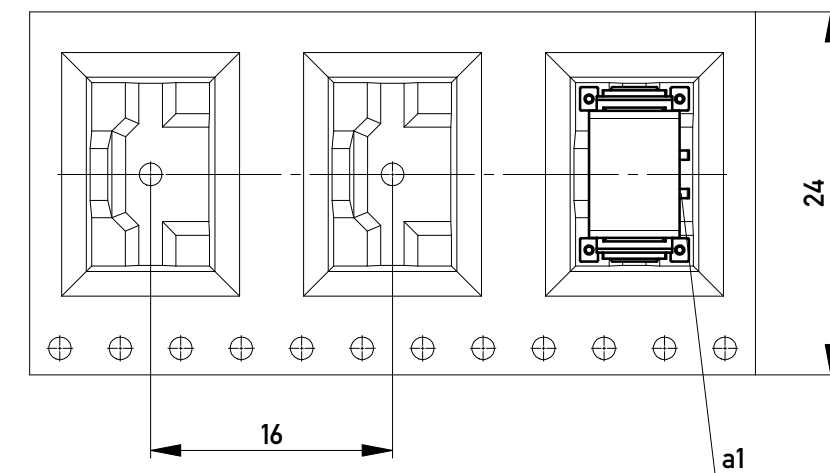
Anforderungsstufe 1
Performance Level 1

Kontaktbereich vergoldet
Mating Area gold plating

Anschlussbereich verzinkt 4-6 µm
Terminal Area 4-6 µm tin plating

Koplanarität der Anschlüsse ≤ 0,1 mm
Coplanarity Area of Termination ≤ 0,1 mm

Abspulrichtung - Reel off Direction



Copyright by ERNI GmbH Proprietary notice pursuant to ISO 16016 to be observed.	Information: Codierung, rot - coding, red		Tolerances All Dimensions in mm	Scale 3:1
	All rights reserved. Only for Information. To ensure that this is the latest version of this drawing, please contact one of the ERNI companies before using.		Subject to modification without prior notice. Drawing will not be updated.	Designation M 2,54 SRC-P, 2-polig
g Index	22.02.2016 Date	 www.ERNI.com	100204570001	K A3
		Class SRCP		