

# USB Type-C Power Delivery Controller

## BM92A20MWV-Z

### General Description

BM92A20MWV-Z is a full function USB Type-C Power Delivery (PD) controller that supports USB Power Delivery using baseband communication.

BM92A20MWV-Z includes PD policy engine support and operates independently. In addition, this IC has the error amplifier of the secondary side for variable output PD AC adapter systems.

### Features

- USB Type-C Specification Compatible
- USB PD Specification Compatible (BMC-PHY)
- Two Power Path Control using N-ch MOSFET Drivers with Back Flow Prevention
- Type-C Cable Orientation Detection
- Supports DFP-Source mode
- Integrated Secondary Side of AC-Adapter System
- EC-less Operation (Auto mode)

### Key Specifications

- VBUS Voltage Range: 4.75 V to 20 V
- Power Consumption at Sleep Power: 0.4 mW (Typ)
- Operating Temperature Range: -30 °C to +105 °C

### Applications

- Consumer Applications: AC Adapters, Chargers

### Package

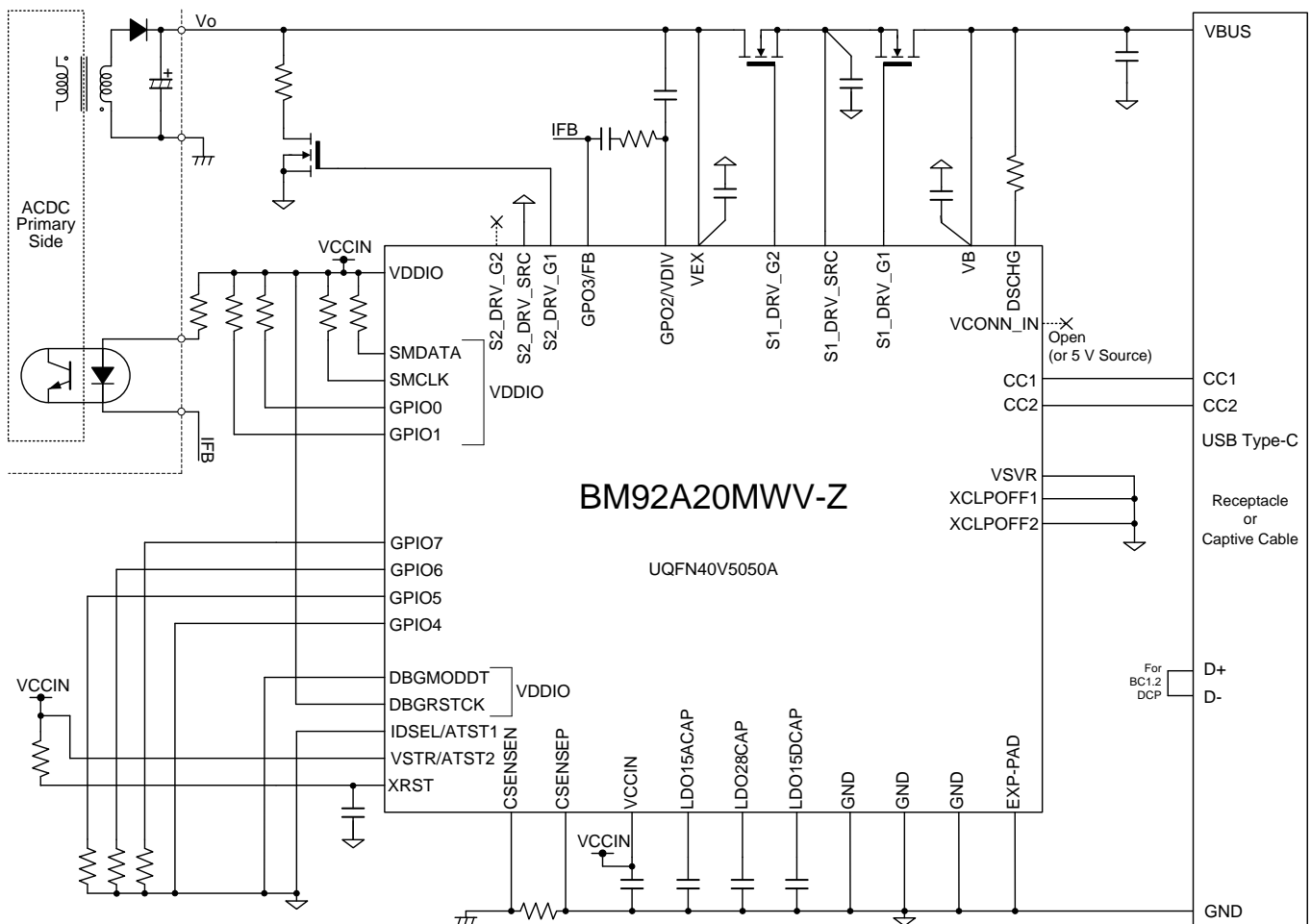
UQFN40V5050A

### W(Typ) x D(Typ) x H(Max)

5.00 mm x 5.00 mm x 1.00 mm



### Typical Application Circuit



○Product structure : Silicon monolithic integrated circuit ○This product has no designed protection against radioactive rays

www.rohm.com

© 2016 ROHM Co., Ltd. All rights reserved.

TSZ22111 • 14 • 001

# Contents

|  |    |
|--|----|
| General Description .....                            | 1  |
| Features.....  | 1  |
| Key Specifications.....                              | 1  |
| Applications .....                                   | 1  |
| Package W (Typ) x D(Typ) x H(Max).....               | 1  |
| Typical Application Circuit .....                    | 1  |
| Contents .....                                       | 2  |
| Notation .....                                       | 3  |
| Reference .....                                      | 3  |
| Pin Configuration .....                              | 4  |
| Pin Descriptions.....                                | 5  |
| Block Diagram .....                                  | 6  |
| Absolute Maximum Ratings (Ta=25 °C).....             | 7  |
| Thermal Resistance <sup>(Note 3)</sup> .....         | 7  |
| Recommended Operating Conditions.....                | 8  |
| Electrical Characteristics.....                      | 8  |
| 1. Internal Memory Cell Characteristics .....        | 8  |
| 2. Circuit Power Characteristics .....               | 8  |
| 3. Digital Pin DC Characteristics .....              | 9  |
| 4. Power Supply Management .....                     | 10 |
| 5. CC_PHY .....                                      | 12 |
| 6. Voltage Detection .....                           | 14 |
| 7. VBUS Discharge .....                              | 14 |
| 8. Power FET Gate Driver.....                        | 15 |
| 9. ACDC Bridge .....                                 | 16 |
| Timing Chart .....                                   | 17 |
| 1. Power On Sequence .....                           | 17 |
| 2. Reset Timing .....                                | 17 |
| 3. Power Off Sequence .....                          | 17 |
| Application Example .....                            | 18 |
| Selection of Components Externally Connected.....    | 18 |
| I/O Equivalence Circuit .....                        | 19 |
| Operational Notes.....                               | 23 |
| 1. Reverse Connection of Power Supply.....           | 23 |
| 2. Power Supply Lines .....                          | 23 |
| 3. Ground Voltage .....                              | 23 |
| 4. Ground Wiring Pattern .....                       | 23 |
| 5. Recommended Operating Conditions .....            | 23 |
| 6. Inrush Current.....                               | 23 |
| 7. Operation Under Strong Electromagnetic Field..... | 23 |
| 8. Testing on Application Boards .....               | 23 |
| 9. Inter-pin Short and Mounting Errors .....         | 24 |
| 10. Unused Input Pins.....                           | 24 |
| 11. Regarding the Input Pin of the IC.....           | 24 |
| 12. Ceramic Capacitor .....                          | 24 |
| 13. Area of Safe Operation (ASO) .....               | 24 |
| 14. Over Current Protection Circuit (OCP) .....      | 24 |
| Ordering Information.....                            | 25 |
| Marking Diagrams.....                                | 25 |
| Physical Dimension and Packing Information .....     | 26 |
| Revision History.....                                | 27 |

## Notation

| Category      | Notation           | Description  |
|---------------|--------------------|--|
| Unit          | V                  | Volt (Unit of voltage)   |
|               | A                  | Ampere (Unit of current)   |
|               | $\Omega$ , Ohm     | Ohm (Unit of resistance)   |
|               | F                  | Farad (Unit of capacitance)  |
|               | deg., degree       | degree Celsius (Unit of temperature)   |
|               | Hz                 | Hertz (Unit of frequency)  |
|               | s (lower case)     | second (Unit of time)  |
|               | min                | minute (Unit of time)  |
|               | b, bit             | bit (Unit of digital data)   |
|               | B, byte            | 1 byte=8 bits  |
| Unit prefix   | M, mega-, mebi-    | $2^{20}=1,048,576$ (used with "bit" or "byte")   |
|               | M, mega-, million- | $10^6=1,000,000$ (used with " $\Omega$ " or "Hz")  |
|               | K, kilo-, kibi-    | $2^{10}=1,024$ (used with "bit" or "byte")   |
|               | k, kilo-           | $10^3=1,000$ (used with " $\Omega$ " or "Hz")  |
|               | m, milli-          | $10^{-3}$  |
|               | $\mu$ , micro-     | $10^{-6}$  |
|               | n, nano-           | $10^{-9}$  |
|               | p, pico-           | $10^{-12}$   |
| Numeric value | xx h, xx H         | Hexadecimal number.<br>"x": any alphanumeric of 0 to 9 or A to F.  |
|               | xx b               | Binary number; "b" may be omitted.<br>"x": a number, 0 or 1<br>"_" is used as a nibble (4 bit) delimiter.<br>(eg. "0011_0101b"="35 h") |
| Address       | #xx h              | Address in a hexadecimal number.<br>"x": any alphanumeric of 0 to 9 or A to F.   |
| Data          | bit[n]             | n-th single bit in the multi-bit data.   |
|               | bit[n:m]           | Bit range from bit[n] to bit[m].   |
| Signal level  | "H", High          | High level (over $V_{IH}$ or $V_{OH}$ ) of logic signal.   |
|               | "L", Low           | Low level (under $V_{IL}$ or $V_{OL}$ ) of logic signal.   |
|               | "Z", "Hi-Z"        | High impedance state of 3-state signal.  |

## Reference

| Name       | Reference Document  | Release Date | Publisher                            |
|------------|---|--------------|--------------------------------------|
| USB Type-C | "USB Type-C Specification Release 1.1"                    | 3.Apr.2015   | USB.org                              |
| USB PD     | "Power Delivery Specification Revision 2.0 Version 1.1"   | 7.May.2015   | USB.org                              |
| SMBus      | "System Management Bus (SMBus) Specification Version 2.0" | 3.Aug.2000   | System Management Implementers Forum |



## Pin Descriptions

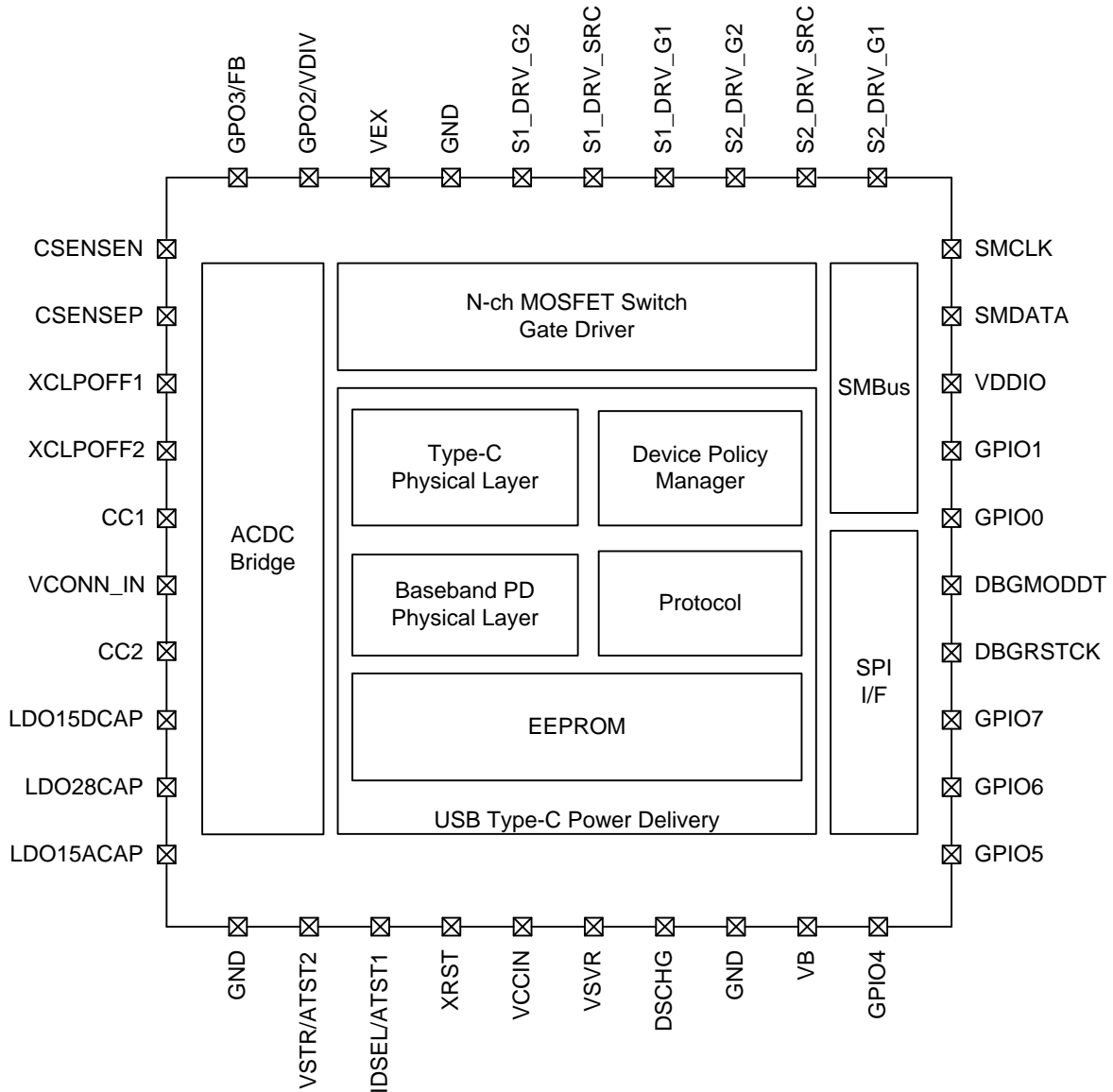
| Pin No. | Pin Name    | I/O                   | Type           | Digital I/O Level | Description   |
|---------|-------------|-----------------------|----------------|-------------------|---|
| 1       | GND         | I                     | GND            | -                 | Ground  |
| 2       | VSTR/ATST2  | IO                    | Analog         | -                 | Analog test/Debug pin   |
| 3       | IDSEL/ATST1 | I                     | Analog/Digital | VCCIN             | SMBus ID (device address) selection<br>"H": 1A h, "L": 18 h/Debug pin |
| 4       | XRST        | I                     | Digital        | VCCIN             | Digital block reset   |
| 5       | VCCIN       | O                     | Analog         | -                 | Internal power supply (Need capacitor)                                |
| 6       | VSVR        | I                     | Power          | -                 | (Connect to GND)  |
| 7       | DSCHG       | IO                    | Analog         | -                 | Discharge N-ch MOSFET drain   |
| 8       | GND         | I                     | GND            | -                 | Ground  |
| 9       | VB          | I                     | Power          | -                 | Power supply from VBUS  |
| 10      | GPIO4       | I                     | Digital        | -                 | Mode fixation (Fix: L)  |
| 11      | GPIO5       | O                     | Digital        | -                 | NC pin  |
| 12      | GPIO6       | O                     | Digital        | -                 | NC pin  |
| 13      | GPIO7       | O                     | Digital        | -                 | NC pin  |
| 14      | DBGSTCK     | IO                    | Digital        | VDDIO             | Test for logic  |
| 15      | DBGMODDT    | IO                    | Digital        | VDDIO             | Test for logic  |
| 16      | GPIO0       | O <sup>(Note 1)</sup> | Digital        | VDDIO             | NC pin  |
| 17      | GPIO1       | O <sup>(Note 1)</sup> | Digital        | VDDIO             | Alert signal  |
| 18      | VDDIO       | I                     | Power          | -                 | Interface voltage   |
| 19      | SMDATA      | IO                    | Digital        | VDDIO             | SMBus data  |
| 20      | SMCLK       | I                     | Digital        | VDDIO             | SMBus clock   |
| 21      | S2_DRV_G1   | O                     | Analog         | -                 | VEX Discharge N-ch MOSFET gate control                                |
| 22      | S2_DRV_SRC  | I                     | Analog         | -                 | VEX Discharge N-ch MOSFET BG/source                                   |
| 23      | S2_DRV_G2   | O                     | Analog         | -                 | (Not used)  |
| 24      | S1_DRV_G1   | O                     | Analog         | -                 | Power path N-ch MOSFET gate control                                   |
| 25      | S1_DRV_SRC  | I                     | Analog         | -                 | Power path N-ch MOSFET BG/source                                      |
| 26      | S1_DRV_G2   | O                     | Analog         | -                 | Power path N-ch MOSFET gate control                                   |
| 27      | GND         | I                     | GND            | -                 | Ground  |
| 28      | VEX         | I                     | Power          | -                 | Extension power input   |
| 29      | GPO2/VDIV   | O                     | Analog         | VCCIN             | Phase compensation  |
| 30      | GPO3/FB     | O                     | Analog         | VCCIN             | Error AMP output  |
| 31      | CSENSEN     | I                     | Analog         | VCCIN             | Current sense voltage input negative                                  |
| 32      | CSENSEP     | I                     | Analog         | VCCIN             | Current sense voltage input positive                                  |
| 33      | XCLPOFF1    | I                     | Analog         | VCCIN             | Disable clamper of CC1 (Fix: L)                                       |
| 34      | XCLPOFF2    | I                     | Analog         | VCCIN             | Disable clamper of CC2 (Fix: L)                                       |
| 35      | CC1         | IO                    | Analog         | -                 | Configuration channel 1 for Type-C                                    |
| 36      | VCONN_IN    | I                     | Analog         | -                 | Input power for VCONN   |
| 37      | CC2         | IO                    | Analog         | -                 | Configuration channel 2 for Type-C                                    |
| 38      | LDO15DCAP   | O                     | Analog         | -                 | Internal LDO 1.5 V for Digital (Need capacitor)                       |
| 39      | LDO28CAP    | O                     | Analog         | -                 | Internal LDO 2.8 V for Analog (Need capacitor)                        |
| 40      | LDO15ACAP   | O                     | Analog         | -                 | Internal LDO 1.5 V for Analog (Need capacitor)                        |
| -       | EXP-PAD     | -                     | -              | -                 | The EXP-PAD connect to GND.   |

(Note 1) N-ch Open Drain

Block Diagram

BM92A20MWV-Z is USB Type-C PD controller for AC adapter applications that supports Type-C DFP port control and USB Power Delivery using baseband communication. It is compatible with USB Type-C Specification and USB Power Delivery Specification. And it has ACDC Bridge which is constructed in Error Amplifier (for Fly-back AC adapter system) and Current Sense (for variable OCP function).

BM92A20MWV-Z includes the following functional blocks: Type-C Physical Layer (baseband PHY), BMC encoder/decoder, USB PD Protocol engine, a N-ch MOSFET switch driver, OVP and Discharge FET. BM92A20MWV-Z includes an EEPROM, enabling code updates via the SMBus interface during prototyping phase.



**Absolute Maximum Ratings (Ta=25 °C)**

| Parameter   | Symbol            | Rating       | Unit | Conditions |
|---|-------------------|--------------|------|------------|
| Maximum Supply Voltage1<br>(VB, VEX, DSCHG, S2_DRV_G1,<br>S2_DRV_G2, S2_DRV_SRC,<br>S1_DRV_G1, S1_DRV_SRC, S1_DRV_G2 )  | V <sub>IN1</sub>  | -0.3 to +28  | V    | (Note 2)   |
| Maximum Supply Voltage2<br>(VDDIO, VSVR, DBGRSTCK, DBGMODDT,<br>GPIO0, GPIO1, SMDATA, SMCLK, XRST,<br>VCONN_IN, VSTR/ATST2, IDSEL/ATST1,<br>VCCIN, GPIO4, GPIO5, GPIO6, GPIO7,<br>GPO2/VDIV, GPO3/FB, CSENSEN,<br>CSENSEP, XCLPOFF1, XCLPOFF2, CC1,<br>CC2, LDO28CAP) | V <sub>IN2</sub>  | -0.3 to +6.5 | V    | -          |
| Maximum Supply Voltage3<br>(LDO15DCAP, LDO15ACAP)   | V <sub>IN3</sub>  | -0.3 to +2.1 | V    | -          |
| Maximum Different Voltage<br>(S2_DRV_G1 - S2_DRV_SRC,<br>S2_DRV_G2 - S2_DRV_SRC,<br>S1_DRV_G1 - S1_DRV_SRC,<br>S1_DRV_G2 - S1_DRV_SRC)  | V <sub>DIFF</sub> | -0.3 to +6.5 | V    | -          |
| Maximum Junction Temperature  | T <sub>jmax</sub> | 150          | °C   | -          |
| Storage Temperature Range   | T <sub>stg</sub>  | -55 to +125  | °C   | -          |

**Caution 1:** Operating the IC over the absolute maximum ratings may damage the IC. The damage can either be a short circuit between pins or an open circuit between pins and the internal circuitry. Therefore, it is important to consider circuit protection measures, such as adding a fuse, in case the IC is operated over the absolute maximum ratings.

**Caution 2:** Should by any chance the maximum junction temperature rating be exceeded the rise in temperature of the chip may result in deterioration of the properties of the chip. In case of exceeding this absolute maximum rating, design a PCB boards with thermal resistance taken into consideration by increasing board size and copper area so as not to exceed the maximum junction temperature rating.

(Note 2) The DSCHG pin connects more than 1 kΩ for current limiting.

**Thermal Resistance**(Note 3)

| Parameter  | Symbol          | Thermal Resistance (Typ) |                          | Unit |
|--|-----------------|--------------------------|--------------------------|------|
|  |                 | 1s <sup>(Note 5)</sup>   | 2s2p <sup>(Note 6)</sup> |      |
| UQFN40V5050A   |                 |                          |                          |      |
| Junction to Ambient  | θ <sub>JA</sub> | 125.0                    | 43.0                     | °C/W |
| Junction to Top Characterization Parameter <sup>(Note 4)</sup> | Ψ <sub>JT</sub> | 21                       | 14                       | °C/W |

(Note 3) Based on JESD51-2A(Still-Air).

(Note 4) The thermal characterization parameter to report the difference between junction temperature and the temperature at the top center of the outside surface of the component package.

(Note 5) Using a PCB board based on JESD51-3.

| Layer Number of Measurement Board | Material  | Board Size                    |
|-----------------------------------|-----------|-------------------------------|
| Single                            | FR-4      | 114.3 mm x 76.2 mm x 1.57 mmt |
| Top                               |           |                               |
| Copper Pattern                    | Thickness |                               |
| Footprints and Traces             | 70 μm     |                               |

(Note 6) Using a PCB board based on JESD51-5, 7.

| Layer Number of Measurement Board | Material  | Board Size                   | Thermal Via <sup>(Note 7)</sup> |                   |           |
|-----------------------------------|-----------|------------------------------|---------------------------------|-------------------|-----------|
|                                   |           |                              | Pitch                           | Diameter          |           |
| 4 Layers                          | FR-4      | 114.3 mm x 76.2 mm x 1.6 mmt | 1.20 mm                         | Φ0.30 mm          |           |
| Top                               |           | 2 Internal Layers            |                                 | Bottom            |           |
| Copper Pattern                    | Thickness | Copper Pattern               | Thickness                       | Copper Pattern    | Thickness |
| Footprints and Traces             | 70 μm     | 74.2 mm x 74.2 mm            | 35 μm                           | 74.2 mm x 74.2 mm | 70 μm     |

(Note 7) This thermal via connects with the copper pattern of all layers.

## Recommended Operating Conditions

| Item                   | Symbol                           | Limit |     |      | Unit | Conditions       |
|------------------------|----------------------------------|-------|-----|------|------|------------------|
|                        |                                  | Min   | Typ | Max  |      |                  |
| VB, VEX Voltage        | V <sub>B</sub> , V <sub>EX</sub> | 4.75  | -   | 20   | V    | USB VBUS voltage |
| VSVR Voltage           | V <sub>SVR</sub>                 | 3.1   | -   | 5.5  | V    | Connect to GND   |
| VDDIO Voltage          | V <sub>DDIO</sub>                | 1.7   | -   | 5.5  | V    | Connect to VCCIN |
| VCONN_IN Input Voltage | V <sub>CONN</sub>                | 4.75  | 5.0 | 5.5  | V    | -                |
| Operating Temperature  | T <sub>opr</sub>                 | -30   | +25 | +105 | °C   | -                |

## Electrical Characteristics

## 1. Internal Memory Cell Characteristics

(V<sub>B</sub>=V<sub>EX</sub>=4.75 V to 20 V, V<sub>SVR</sub>=0 V)

| Item                                      | Limit |     |     | Unit | Conditions             |
|---|-------|-----|-----|------|------------------------|
|   | Min   | Typ | Max |      |                        |
| Data Rewriting Number <sup>(Note 8)</sup> | 1000  | -   | -   | time | T <sub>a</sub> ≤25 °C  |
|   | 100   | -   | -   | time | T <sub>a</sub> ≤105 °C |
| Data Retention Life <sup>(Note 8)</sup>   | 20    | -   | -   | year | T <sub>a</sub> ≤25 °C  |
|   | 10    | -   | -   | year | T <sub>a</sub> ≤105 °C |

**Caution :** Customer is permitted to rewrite EEPROM on BM92A20MWV-Z only in case of being provided technical support from ROHM.  
 (Note 8) Not 100% tested.

## 2. Circuit Power Characteristics

(T<sub>a</sub>=25 °C, V<sub>SVR</sub>=0 V, VDDIO=VCCIN, VEX=5 V, VB=Open)

| Item          | Limit |     |     | Unit | Conditions           |
|---------------|-------|-----|-----|------|----------------------|
|               | Min   | Typ | Max |      |                      |
| Sleep Power   | -     | 0.9 | -   | mW   | <sup>(Note 9)</sup>  |
| Standby Power | -     | 6   | -   | mW   | <sup>(Note 10)</sup> |

<sup>(Note 9)</sup> Sleep power: Power consumption at unattached plug.  
<sup>(Note 10)</sup> Standby power: Power consumption at attached plug.



## Electrical Characteristics - continued

## 3. Digital Pin DC Characteristics

(Ta=25 °C, V<sub>SVR</sub>=V<sub>DDIO</sub>=3.3 V, V<sub>CCIN</sub>=V<sub>SVR</sub>, V<sub>B</sub>=V<sub>EX</sub>=Open)

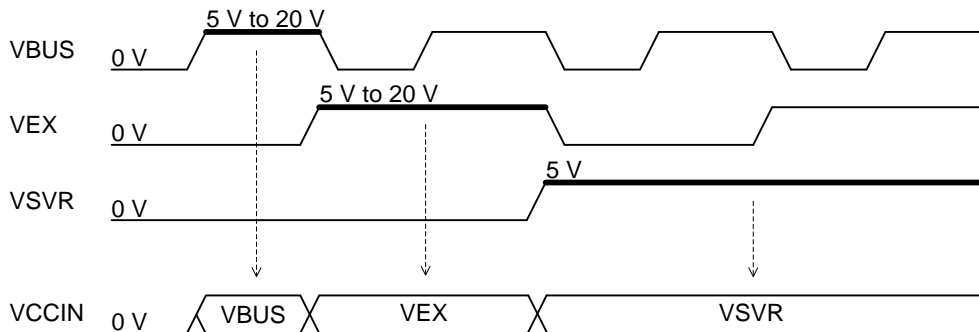
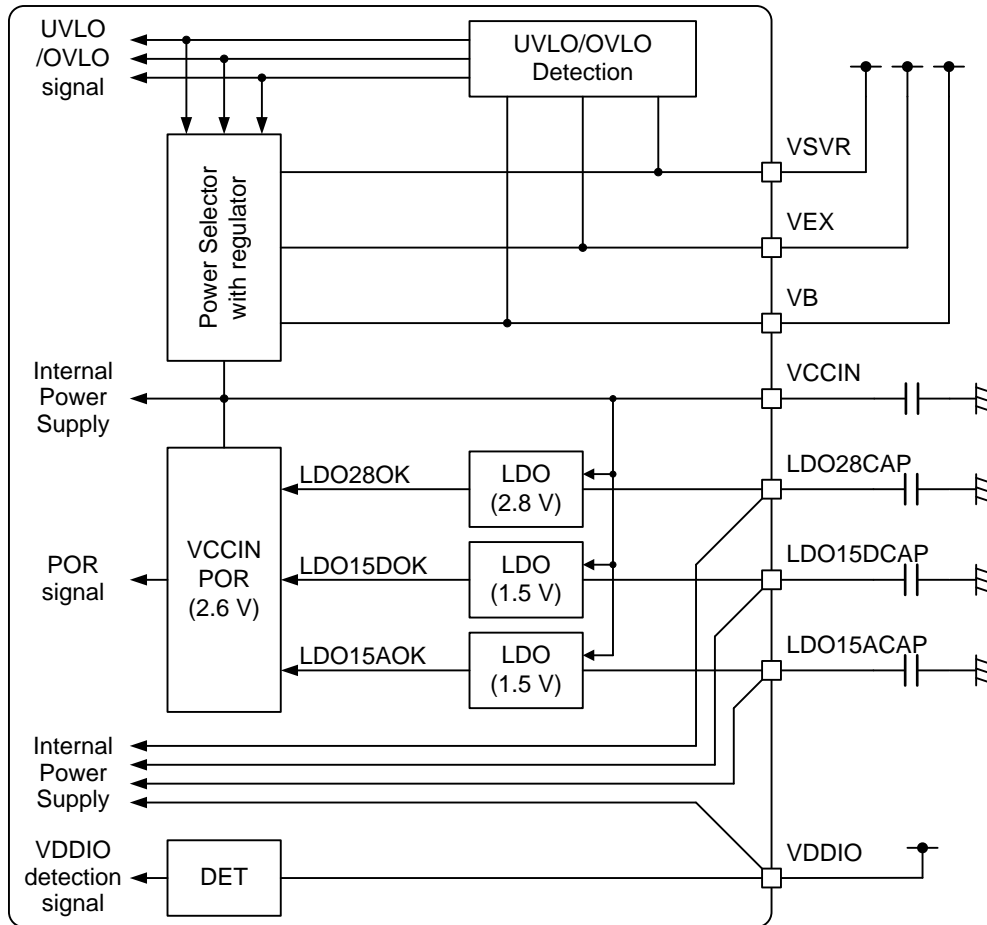
| Item  | Symbol                 | Limit                     |     |                            | Unit | Comment          |
|---|------------------------|---------------------------|-----|----------------------------|------|------------------|
|   |                        | Min                       | Typ | Max                        |      |                  |
| VDDIO Power Pin: GPIO0, GPIO1, SMDATA, SMCLK                  |                        |                           |     |                            |      |                  |
| Input "H" Level   | V <sub>IH1</sub>       | 0.8×<br>V <sub>DDIO</sub> | -   | V <sub>DDIO</sub> +<br>0.3 | V    | -                |
| Input "L" Level   | V <sub>IL1</sub>       | -0.3                      | -   | 0.2×<br>V <sub>DDIO</sub>  | V    | -                |
| Input Leak Current  | I <sub>IC1</sub>       | -5                        | 0   | +5                         | μA   | Power: VDDIO     |
| Output Voltage when "H"                                       | V <sub>OH1</sub>       | 0.7×<br>V <sub>DDIO</sub> | -   | -                          | V    | Source=1 mA      |
| SMDATA Pin "L" Level Voltage (SMDATA)                         | V <sub>OL_SMDATA</sub> | -                         | -   | 0.4                        | V    | Sink=350 μA Max. |
| Output Voltage when "L" (GPIO0, GPIO1)                        | V <sub>OL1</sub>       | -                         | -   | 0.3                        | V    | Sink=1 mA        |
| VCCIN Power Pin: XRST, GPO2, GPO3, GPIO4, GPIO5, GPIO6, GPIO7 |                        |                           |     |                            |      |                  |
| Input "H" Level   | V <sub>IH2</sub>       | 0.8×<br>V <sub>CCIN</sub> | -   | V <sub>CCIN</sub> +<br>0.3 | V    | -                |
| Input "L" Level   | V <sub>IL2</sub>       | -0.3                      | -   | 0.2×<br>V <sub>CCIN</sub>  | V    | -                |
| Input Leak Current  | I <sub>IC2</sub>       | -5                        | 0   | +5                         | μA   | Power: VCCIN     |
| Output Voltage when "H" (GPIOs)                               | V <sub>OH2</sub>       | 0.7×<br>V <sub>CCIN</sub> | -   | -                          | V    | Source=1 mA      |
| Output Voltage when "L" (GPIOs)                               | V <sub>OL2</sub>       | -                         | -   | 0.3                        | V    | Sink=1 mA        |

Electrical Characteristics - continued

4. Power Supply Management

BM92A20MWV-Z has a power selector. It selects the lowest power supply voltage from the VSVR, VEX or VB pins for low power consumption. Internal Power Supply (the VCCIN pin) gives priority in order of the VSVR, VEX and VB pins. The VCCIN pin supplied from the power selector is used to BM92A20MWV-Z main power source. LDOs (for internal only) are supplied from the VCCIN pin, and output each internal supply voltage.

Each power supply input has UVLO and OVLO. And POR (power on reset) signal is generated from detection of LDO28OK, LDO15DOK and LDO15AOK signals, and the VCCIN pin.



## 4. Power Supply Management - continued

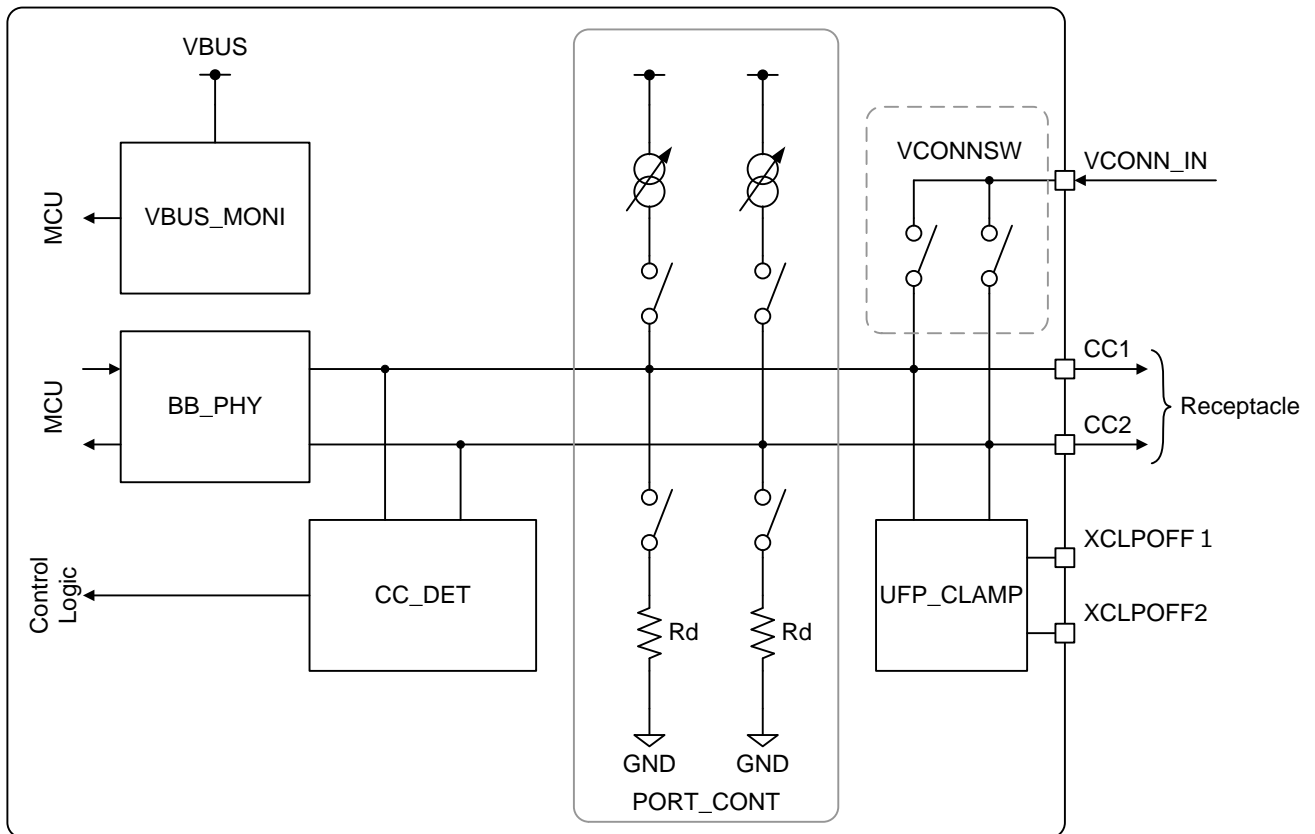
| Item   | Limit |     |     | Unit | Comment                             |
|--|-------|-----|-----|------|-------------------------------------|
|  | Min   | Typ | Max |      |                                     |
| Unless otherwise specified<br>$T_a=25\text{ }^\circ\text{C}$ , $V_{\text{GND}}=0\text{ V}$ ,<br>$C_{\text{VCCIN}}=4.7\text{ }\mu\text{F}$ (Ceramic), $C_{\text{LDO28}}=C_{\text{LDO15D}}=C_{\text{LDO15A}}=1\text{ }\mu\text{F}$ (Ceramic)<br>Input Analog Pins: VSVR, VEX, VB |       |     |     |      |                                     |
| UVLO Rising Threshold Voltage 1  | -     | 2.8 | -   | V    | VSVR                                |
| UVLO Rising Threshold Voltage 2  | -     | 3.5 | -   | V    | VEX, VB                             |
| UVLO Falling Threshold Voltage   | -     | 2.7 | -   | V    | VSVR, VEX, VB                       |
| OVLO Rising Threshold Voltage  | -     | 6.4 | -   | V    | VSVR                                |
| OVLO Rising Threshold Voltage  | -     | 28  | -   | V    | VEX, VB                             |
| OVLO Hysteresis Voltage 1  | -     | 240 | -   | mV   | VSVR                                |
| OVLO Hysteresis Voltage 2  | -     | 920 | -   | mV   | VEX, VB                             |
| Power ON Reset Threshold Voltage   | -     | 2.6 | -   | V    | VCCIN                               |
| VDDIO Detection Voltage  | 1.7   | -   | -   | V    | For dead battery operation          |
| LDO28CAP Output Voltage  | -     | 2.8 | -   | V    | No Load, $V_{\text{EX}}=5\text{ V}$ |
| LDO15DCAP Output Voltage   | -     | 1.5 | -   | V    | No Load, $V_{\text{EX}}=5\text{ V}$ |
| LDO15ACAP Output Voltage   | -     | 1.5 | -   | V    | No Load, $V_{\text{EX}}=5\text{ V}$ |

Electrical Characteristics - continued

5. CC\_PHY

CC\_PHY has below functions of USB Type-C (Refer to USB Type-C Specification):

- Defining Port Mode: DFP
- DFP-to-UFP Attach/Detach Detection
- Plug Orientation/Cable Twist Detection
- USB Type-C VBUS Voltage Detection and Usage
- VCONN (Supply for SOP') Control
- Baseband Power Delivery Communication (BBPD Communication)



PORT\_CONT

This block is fixed DFP mode.

DFP mode: Variable current source is connected to the CC1 and CC2 pin. These currents of each mode are Default Current, Medium Current and High Current.

CC\_DET

CC\_DET has functions of "Attach/Detach Detection", "Plug Orientation/Cable Twist Detection", "Discovery and detect extension mode" and "USB Type-C VBUS Current Detection".

Attach/Detach is detected with monitoring voltage of the CC1 and CC2 pin. When the voltage of the CC1 and CC2 pin become under a threshold voltage at DFP, attach is detected. Oppositely, when the voltage of the CC1 and CC2 pin become over a threshold voltage, detach is detected. When the voltage of the CC1 and CC2 pin become over a threshold voltage at UFP, attach is detected.

5. CC\_PHY - continued

Plug orientation and cable twist is detected from the relationship of the CC1 and CC2 pins.  
 UFP can detect the maximum current of the power source by monitoring the voltage of the CC1 and CC2 pin.

VBUS\_MONI

UFP detect Attach/Detach by existence of VBUS voltage. VBUSDET detects Attach when VBUS voltage over the threshold voltage. And it detects Detach when VBUS under the threshold voltage.

VCONNSW

VCONNSW is the power switch for VCONN source. It has OCP function.

BB\_PHY

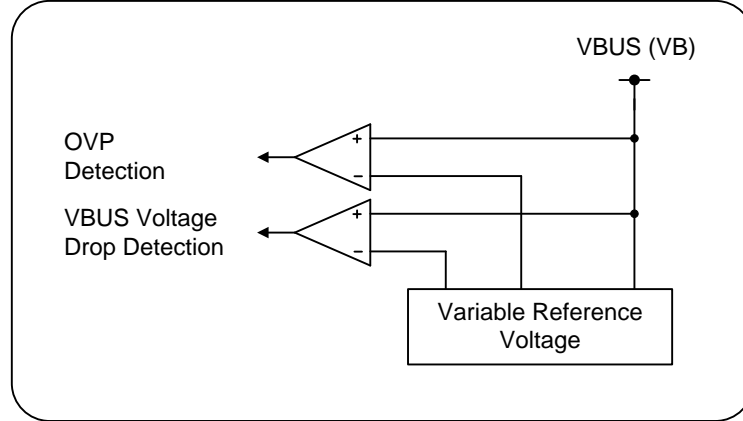
If Type-C controller supports BBPD, the CC1 and CC2 pin can output BBPD communication signal.

| Item   | Limit |      |     | Unit | Comment |
|--|-------|------|-----|------|---------|
|  | Min   | Typ  | Max |      |         |
| [PORT_CONT Characteristics]<br>Unless otherwise specified<br>Ta=25 °C, VEX=5 V, VCONN_IN=Open, VDDIO=VCCIN, VGND=0 V,<br>CVCCIN=4.7 μF(Ceramic), CLDO28=CLDO15D=CLDO15A=1 μF(Ceramic)<br>Input Analog Pins: CC1, CC2 |       |      |     |      |         |
| Default Current  | 64    | 80   | 96  | μA   | -       |
| Medium Current   | 166   | 180  | 194 | μA   | -       |
| High Current   | 304   | 330  | 356 | μA   | -       |
| Pull Down Resistor   | 4.6   | 5.1  | 5.6 | kΩ   | -       |
| [VBUS_MONI]<br>Unless otherwise specified<br>Ta=25 °C, VEX=5 V, VCONN_IN=Open, VDDIO=VCCIN, VGND=0 V,<br>CVCCIN=4.7 μF(Ceramic), CLDO28=CLDO15D=CLDO15A=1 μF(Ceramic)<br>Input Analog Pin: VB                        |       |      |     |      |         |
| VBUS Presence Detection Level  | -     | 3.42 | -   | V    | -       |
| [VCONNSW]<br>Unless otherwise specified<br>Ta=25 °C, VEX=5 V, VCONN_IN=5 V, VDDIO=VCCIN, VGND=0 V,<br>CVCCIN=4.7 μF(Ceramic), CLDO28=CLDO15D=CLDO15A=1 μF(Ceramic)<br>Input Analog Pins: CC1, CC2, VCONN_IN          |       |      |     |      |         |
| VCONN_IN to CCx Resistance   | -     | -    | 500 | mΩ   | -       |
| Overcurrent Protection Level   | 1.1   | -    | -   | A    | -       |

Electrical Characteristics - continued

6. Voltage Detection

VDET Block detects the voltage level of VB. It can detect follow conditions:  
 OVP (Over Voltage Protection) Detection  
 VBUS Voltage Drop Detection

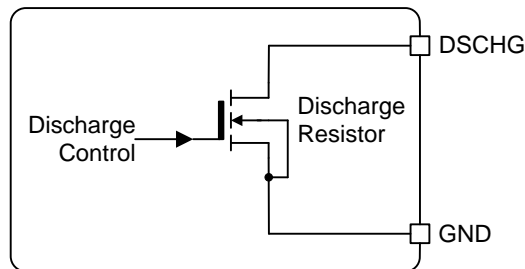


| Item   | Limit |     |     | Unit | Comment   |
|--|-------|-----|-----|------|-----------|
|  | Min   | Typ | Max |      |           |
| Unless otherwise specified<br>Ta=25 °C, V <sub>EX</sub> =5 V, V <sub>CONN_IN</sub> =5 V, V <sub>DDIO</sub> =V <sub>CCIN</sub> , V <sub>GND</sub> =0 V,<br>C <sub>VCCIN</sub> =4.7 μF(Ceramic), C <sub>LDO28</sub> =C <sub>LDO15D</sub> =C <sub>LDO15A</sub> =1 μF(Ceramic)<br>Input Analog Pin: VB |       |     |     |      |           |
| Over Voltage Protection Detection Rate   | +15   | +20 | +25 | %    | (Note 11) |
| VBUS Voltage Drop Detection Rate   | -30   | -25 | -20 | %    | (Note 11) |

(Note 11) Reference value is USB PD negotiation voltage.

7. VBUS Discharge

FET switch is prepared for VBUS discharging.

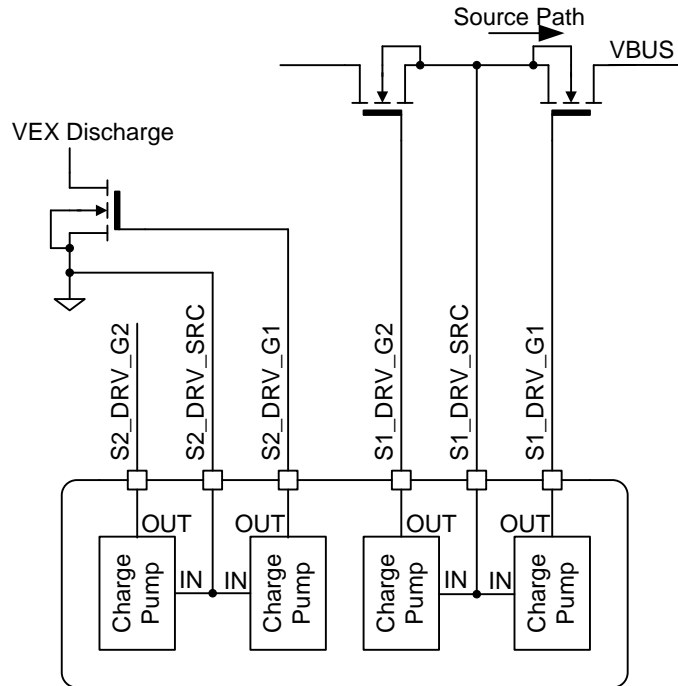


| Item  | Limit |     |     | Unit | Comment |
|---|-------|-----|-----|------|---------|
|   | Min   | Typ | Max |      |         |
| Unless otherwise specified<br>Ta=25 °C, V <sub>EX</sub> =5 V, V <sub>CONN_IN</sub> =5 V, V <sub>DDIO</sub> =V <sub>CCIN</sub> , V <sub>GND</sub> =0 V,<br>C <sub>VCCIN</sub> =4.7 μF(Ceramic), C <sub>LDO28</sub> =C <sub>LDO15D</sub> =C <sub>LDO15A</sub> =1 μF(Ceramic)<br>Input Analog Pin: DSCHG |       |     |     |      |         |
| FET Switch ON Resistance  | -     | 25  | -   | Ω    | -       |

Electrical Characteristics - continued

8. Power FET Gate Driver

FET Gate Driver is the external N-ch MOSFET switch driver for power line switch.

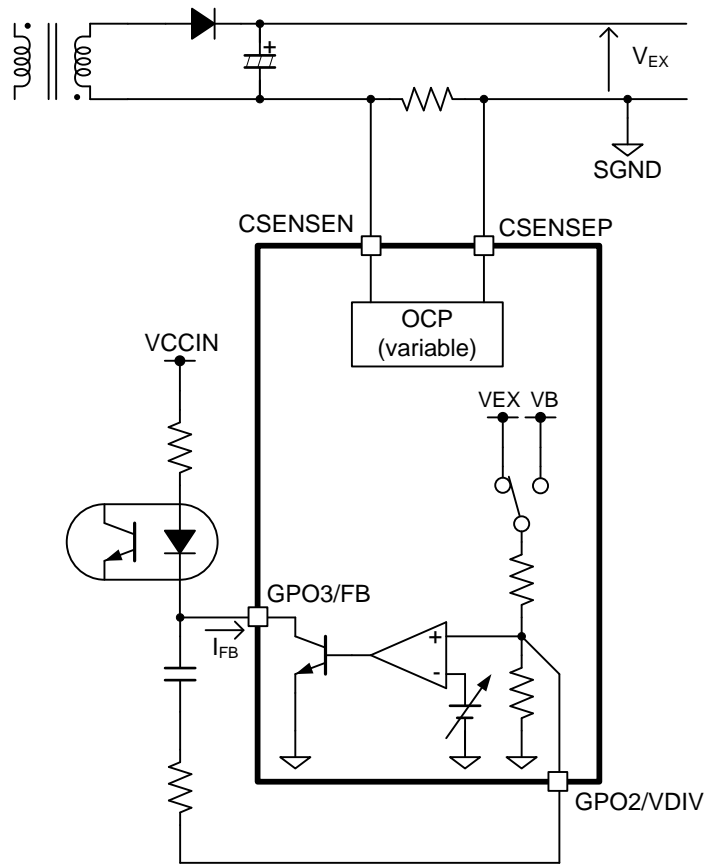


| Item  | Limit |     |     | Unit | Comment  |
|---|-------|-----|-----|------|--|
|   | Min   | Typ | Max |      |  |
| Unless otherwise specified<br>$T_a=25\text{ }^\circ\text{C}$ , $V_{EX}=5\text{ V}$ , $V_{CONN\_IN}=5\text{ V}$ , $V_{DDIO}=V_{CCIN}$ , $V_{GND}=0\text{ V}$ ,<br>$C_{VCCIN}=4.7\text{ }\mu\text{F}$ (Ceramic), $C_{LDO28}=C_{LDO15D}=C_{LDO15A}=1\text{ }\mu\text{F}$ (Ceramic)<br>Input Analog Pins: $S1\_DRV\_SRC=S2\_DRV\_SRC=0\text{ V}$<br>Output Analog Pins: $S1\_DRV\_G1$ , $S1\_DRV\_G2$ , $S2\_DRV\_G1$ , $S2\_DRV\_G2$ |       |     |     |      |  |
| N-ch MOSFET Control Voltage Between Gate and Source   | -     | 6.0 | -   | V    | $S1\_DRV\_G1 - S1\_DRV\_SRC$<br>$S1\_DRV\_G2 - S1\_DRV\_SRC$<br>$S2\_DRV\_G1 - S2\_DRV\_SRC$<br>$S2\_DRV\_G2 - S2\_DRV\_SRC$ |

Electrical Characteristics - continued

9. ACDC Bridge

ACDC Bridge Block has an error amplifier and current sensing comparator.



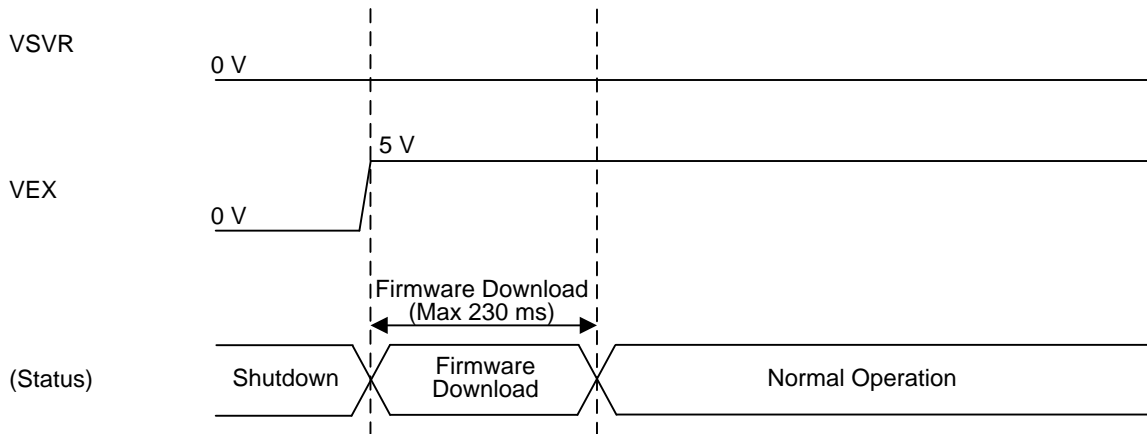
| Item   | Limit |     |     | Unit | Comment           |
|--|-------|-----|-----|------|-------------------|
|  | Min   | Typ | Max |      |                   |
| Unless otherwise specified<br>$T_a=25\text{ }^\circ\text{C}$ , $V_{EX}=5\text{ V}$ , $V_{CONN\_IN}=V_{DDIO}=V_{CCIN}$ , $V_{GND}=0\text{ V}$ ,<br>$C_{VCCIN}=4.7\text{ }\mu\text{F}$ (Ceramic), $C_{LDO28}=C_{LDO15D}=C_{LDO15A}=1\text{ }\mu\text{F}$ (Ceramic)<br>Input Analog Pin: FB, VDIV |       |     |     |      |                   |
| PDO Voltage Setting Range  | 5     | -   | 20  | V    | -                 |
| PDO Voltage Setting Step   | -     | 50  | -   | mV   | -                 |
| Feedback Current Threshold Voltage <sup>(Note 12)</sup>  | -2%   | -   | +2  | %    | VEX=Rise          |
| Trans Conductance  | -     | 1   | -   | S    | $dI_{FB}/dV_{EX}$ |
| Maximum Feedback Current   | 2     | -   | -   | mA   | -                 |
| PDO Current Setting Range  | 0     | -   | 5   | A    | -                 |
| PDO Current Setting Step   | -     | 10  | -   | mA   | -                 |
| Current Sense Detecting (OCP) Rate <sup>(Note 12)</sup>  | -     | 120 | -   | %    | -                 |

(Note 12) Reference value is USB PD negotiation voltage and current. The minimum OCP setting is 1.2 A.

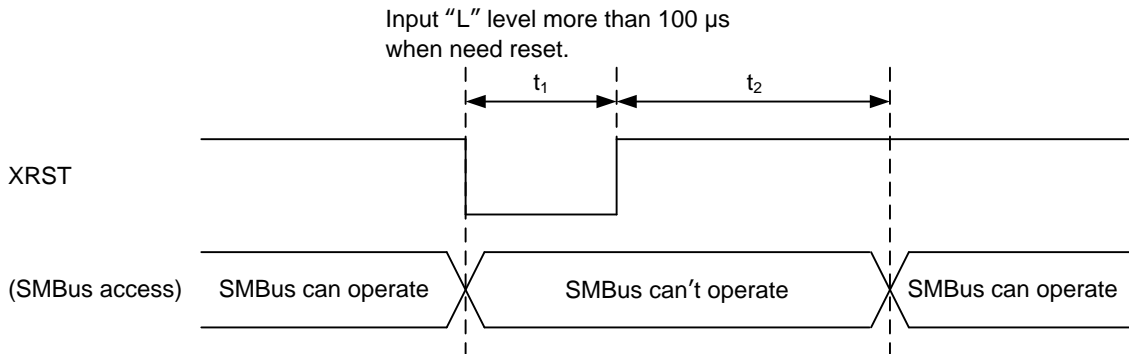


Timing Chart

1. Power On Sequence

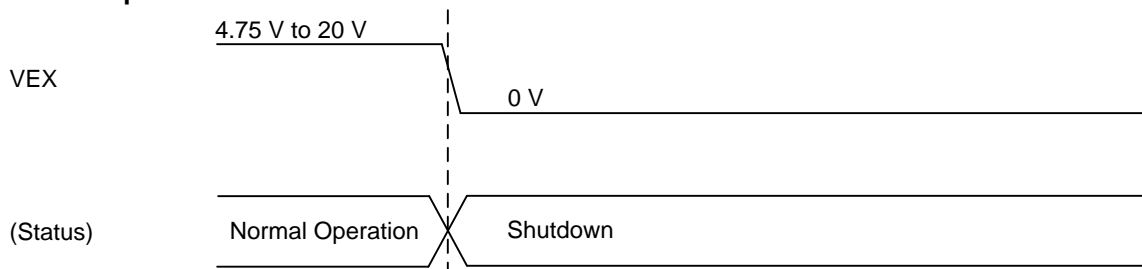


2. Reset Timing

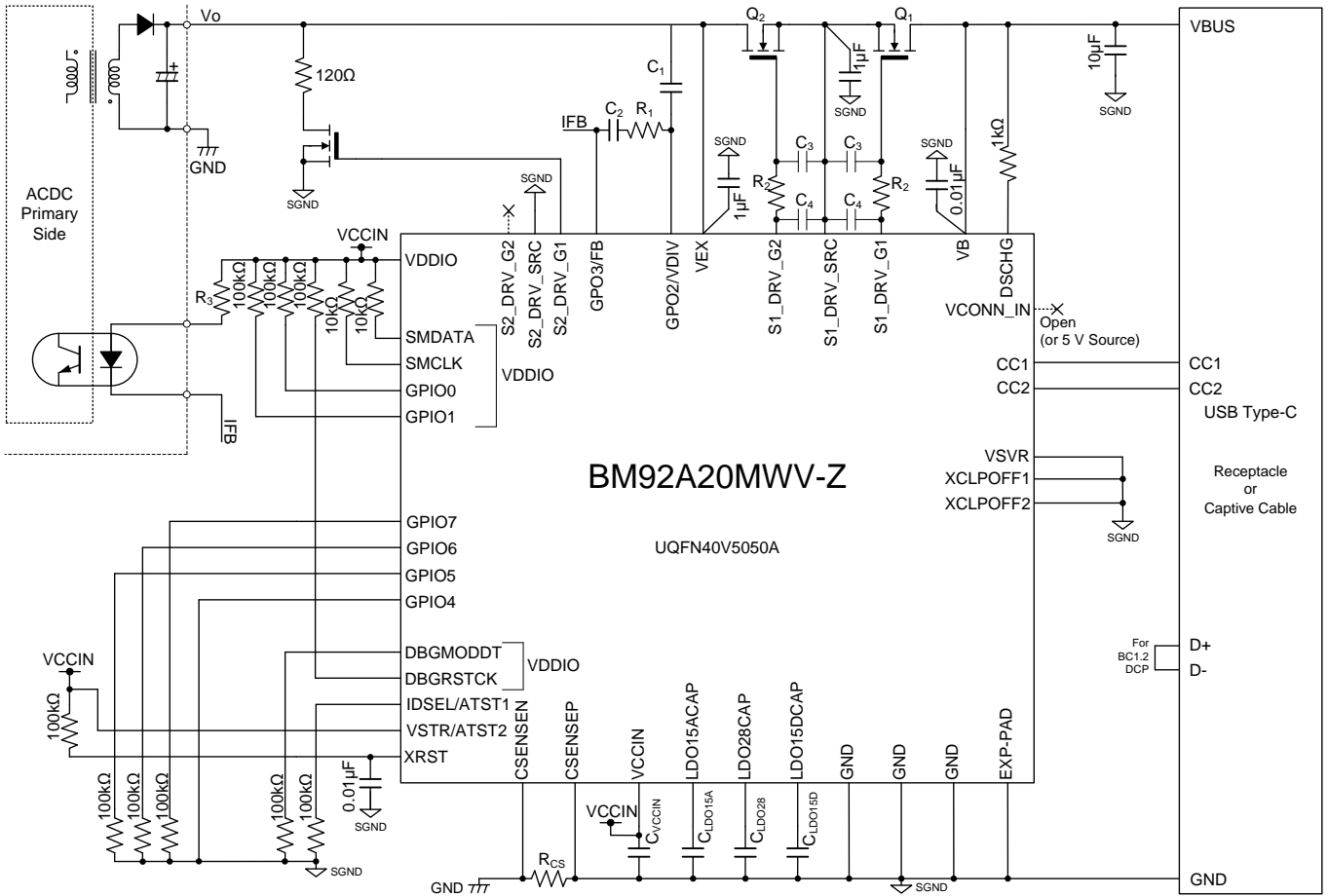


| Item                                  | Symbol | Limit |     |     | Unit    | Comment |
|---------------------------------------|--------|-------|-----|-----|---------|---------|
|                                       |        | Min   | Typ | Max |         |         |
| XRST Minimum "L" Level Pulse          | $t_1$  | 100   | -   | -   | $\mu$ s | -       |
| SMBus Access Start After XRST Release | $t_2$  | 230   | -   | -   | ms      | -       |

3. Power Off Sequence



Application Example



Selection of Components Externally Connected

| Item  | Symbol   | Limit |     |       | Unit | Comment   |
|---|--|-------|-----|-------|------|---|
|   |  | Min   | Typ | Max   |      |   |
| VCCIN Capacitance <sup>(Note 13)</sup>                          | C <sub>VCCIN</sub>                                 | 0.60  | 4.7 | 10    | µF   | -   |
| LDO15ACAP Capacitance <sup>(Note 13)</sup>                      | C <sub>LDO15A</sub>                                | 0.47  | 1.0 | 2.2   | µF   | -   |
| LDO15DCAP Capacitance <sup>(Note 13)</sup>                      | C <sub>LDO15D</sub>                                | 0.47  | 1.0 | 2.2   | µF   | -   |
| LDO28CAP Capacitance <sup>(Note 13)</sup>                       | C <sub>LDO28</sub>                                 | 0.47  | 1.0 | 2.2   | µF   | -   |
| Q <sub>1</sub> , Q <sub>2</sub> Gate-Source Capacitance         | C <sub>Qx_gs</sub>                                 | 470 p | -   | 0.5 µ | F    | -   |
| ACDC System Phase Compensation Capacitance <sup>(Note 14)</sup> | C <sub>1</sub>                                     | -     | -   | -     | F    | Please choose the value suitable for ACDC system.   |
|   | C <sub>2</sub>                                     | -     | -   | -     | F    |   |
| Phase Compensation Capacitance <sup>(Note 13)</sup>             | C <sub>4</sub>                                     | 470 p | -   | 0.5 µ | F    | In the case of not R <sub>2</sub> =0 Ω, C <sub>4</sub> is this range.                                 |
|   | C <sub>3</sub> +C <sub>4</sub> +C <sub>Qx_gs</sub> | 470 p | -   | 0.5 µ | F    | In the case of R <sub>2</sub> =0 Ω, C <sub>3</sub> +C <sub>4</sub> +C <sub>Qx_gs</sub> is this range. |
| Resistance for the VBUS Slew Rate Setting                       | R <sub>2</sub>                                     | -     | -   | -     | Ω    | Please choose the value suitable for ACDC system.   |
| Capacitance for the VBUS Slew Rate Setting <sup>(Note 14)</sup> | C <sub>3</sub>                                     | -     | -   | -     | F    |   |
| Current Sensing Resistor for OCP                                | R <sub>Cs</sub>                                    | -     | 10  | -     | mΩ   | -   |
| ACDC System Phase Compensation Resistance                       | R <sub>1</sub>                                     | -     | -   | -     | Ω    | Please choose the value suitable for ACDC system.   |
| ACDC Feedback Current Limit Resistor                            | R <sub>3</sub>                                     | -     | -   | -     | kΩ   |   |

(Note 13) Use the ceramic capacitor which capacitance value to decrease by temperature characteristics and DC bias is larger than the minimum limit.

(Note 14) Use the ceramic capacitor.

I/O Equivalence Circuit

| Pin No.                           | Pin Name  | Equivalent Circuit Diagram |
|-----------------------------------|---|----------------------------|
| 1<br>5<br>6<br>8<br>9<br>27<br>28 | GND<br>VCCIN<br>VSVR<br>GND<br>VB<br>GND<br>VEX<br>VSVR<br>GND<br>VEX<br>VCCIN<br>GND |                            |
| 7                                 | DSCHG   |                            |
| 10<br>11<br>12<br>13              | GPIO4<br>GPIO5<br>GPIO6<br>GPIO7  |                            |
| 14<br>15<br>16<br>17              | DBGRSTCK<br>DBGMODDT<br>GPIO0<br>GPIO1  |                            |

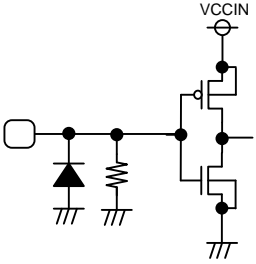
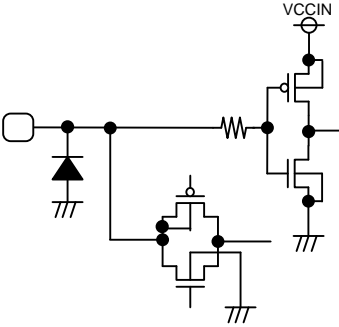
I/O Equivalence Circuit - continued

| Pin No.                          | Pin Name   | Equivalent Circuit Diagram |
|----------------------------------|--|----------------------------|
| 29                               | GPO2/VDIV  |                            |
| 30                               | GPO3/FB  |                            |
| 31<br>32                         | CSENSE<br>CSENSEP  |                            |
| 18<br>19<br>20                   | VDDIO<br>SMDATA<br>SMCLK   |                            |
| 21<br>22<br>23<br>24<br>25<br>26 | S2_DRV_G1<br>S2_DRV_SRC<br>S2_DRV_G2<br>S1_DRV_G1<br>S1_DRV_SRC<br>S1_DRV_G2 |                            |

I/O Equivalence Circuit - continued

| Pin No.                    | Pin Name                                       | Equivalent Circuit Diagram |
|----------------------------|--|----------------------------|
| 33<br>34<br>35<br>36<br>37 | XCLPOFF1<br>XCLPOFF2<br>CC1<br>VCONN_IN<br>CC2 |                            |
| 4                          | XRST   |                            |
| 38<br>40                   | LDO15DCAP<br>LDO15ACAP                         |                            |
| 39                         | LDO28CAP                                       |                            |

I/O Equivalence Circuit - continued

| Pin No. | Pin Name    | Equivalent Circuit Diagram   |
|---------|-------------|--|
| 2       | VSTR/ATST2  |  |
| 3       | IDSEL/ATST1 |  |

## Operational Notes

### 1. Reverse Connection of Power Supply

Connecting the power supply in reverse polarity can damage the IC. Take precautions against reverse polarity when connecting the power supply, such as mounting an external diode between the power supply and the IC's power supply pins.

### 2. Power Supply Lines

Design the PCB layout pattern to provide low impedance supply lines. Separate the ground and supply lines of the digital and analog blocks to prevent noise in the ground and supply lines of the digital block from affecting the analog block. Furthermore, connect a capacitor to ground at all power supply pins. Consider the effect of temperature and aging on the capacitance value when using electrolytic capacitors.

### 3. Ground Voltage

Ensure that no pins are at a voltage below that of the ground pin at any time, even during transient condition.

### 4. Ground Wiring Pattern

When using both small-signal and large-current ground traces, the two ground traces should be routed separately but connected to a single ground at the reference point of the application board to avoid fluctuations in the small-signal ground caused by large currents. Also ensure that the ground traces of external components do not cause variations on the ground voltage. The ground lines must be as short and thick as possible to reduce line impedance.

### 5. Recommended Operating Conditions

The function and operation of the IC are guaranteed within the range specified by the recommended operating conditions. The characteristic values are guaranteed only under the conditions of each item specified by the electrical characteristics.

### 6. Inrush Current

When power is first supplied to the IC, it is possible that the internal logic may be unstable and inrush current may flow instantaneously due to the internal powering sequence and delays, especially if the IC has more than one power supply. Therefore, give special consideration to power coupling capacitance, power wiring, width of ground wiring, and routing of connections.

### 7. Operation Under Strong Electromagnetic Field

Operating the IC in the presence of a strong electromagnetic field may cause the IC to malfunction.

### 8. Testing on Application Boards

When testing the IC on an application board, connecting a capacitor directly to a low-impedance output pin may subject the IC to stress. Always discharge capacitors completely after each process or step. The IC's power supply should always be turned off completely before connecting or removing it from the test setup during the inspection process. To prevent damage from static discharge, ground the IC during assembly and use similar precautions during transport and storage.

Operational Notes - continued

9. Inter-pin Short and Mounting Errors

Ensure that the direction and position are correct when mounting the IC on the PCB. Incorrect mounting may result in damaging the IC. Avoid nearby pins being shorted to each other especially to ground, power supply and output pin. Inter-pin shorts could be due to many reasons such as metal particles, water droplets (in very humid environment) and unintentional solder bridge deposited in between pins during assembly to name a few.

10. Unused Input Pins

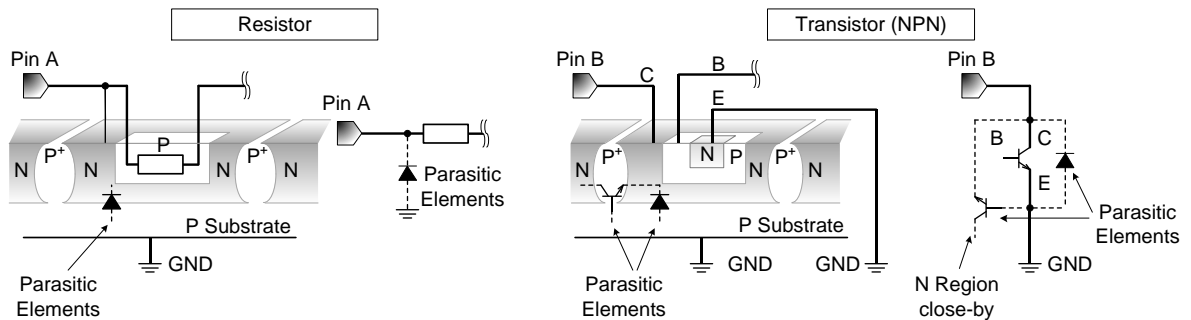
Input pins of an IC are often connected to the gate of a MOS transistor. The gate has extremely high impedance and extremely low capacitance. If left unconnected, the electric field from the outside can easily charge it. The small charge acquired in this way is enough to produce a significant effect on the conduction through the transistor and cause unexpected operation of the IC. So unless otherwise specified, unused input pins should be connected to the power supply or ground line.

11. Regarding the Input Pin of the IC

This IC contains P+ isolation and P substrate layers between adjacent elements in order to keep them isolated. P-N junctions are formed at the intersection of the P layers with the N layers of other elements, creating a parasitic diode or transistor. For example (refer to figure below):

When  $GND > Pin A$  and  $GND > Pin B$ , the P-N junction operates as a parasitic diode.  
 When  $GND > Pin B$ , the P-N junction operates as a parasitic transistor.

Parasitic diodes inevitably occur in the structure of the IC. The operation of parasitic diodes can result in mutual interference among circuits, operational faults, or physical damage. Therefore, conditions that cause these diodes to operate, such as applying a voltage lower than the GND voltage to an input pin (and thus to the P substrate) should be avoided.



12. Ceramic Capacitor

When using a ceramic capacitor, determine a capacitance value considering the change of capacitance with temperature and the decrease in nominal capacitance due to DC bias and others.

13. Area of Safe Operation (ASO)

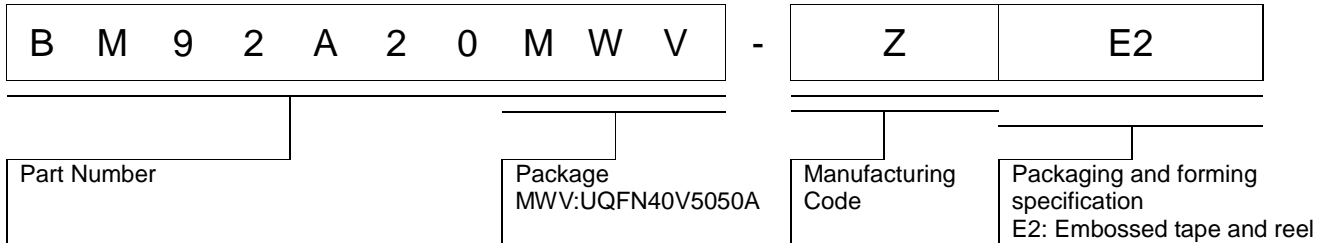
Operate the IC such that the output voltage, output current, and the maximum junction temperature rating are all within the Area of Safe Operation (ASO).

14. Over Current Protection Circuit (OCP)

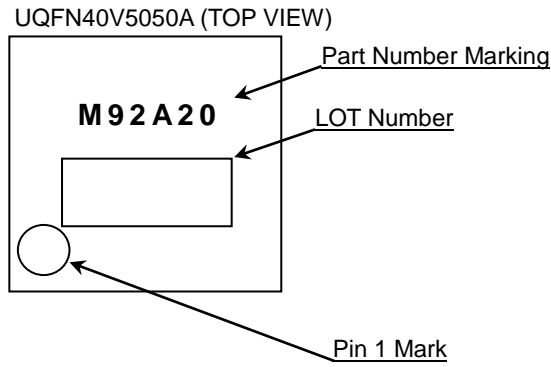
This IC incorporates an integrated overcurrent protection circuit that is activated when the load is shorted. This protection circuit is effective in preventing damage due to sudden and unexpected incidents. However, the IC should not be used in applications characterized by continuous operation or transitioning of the protection circuit.



Ordering Information

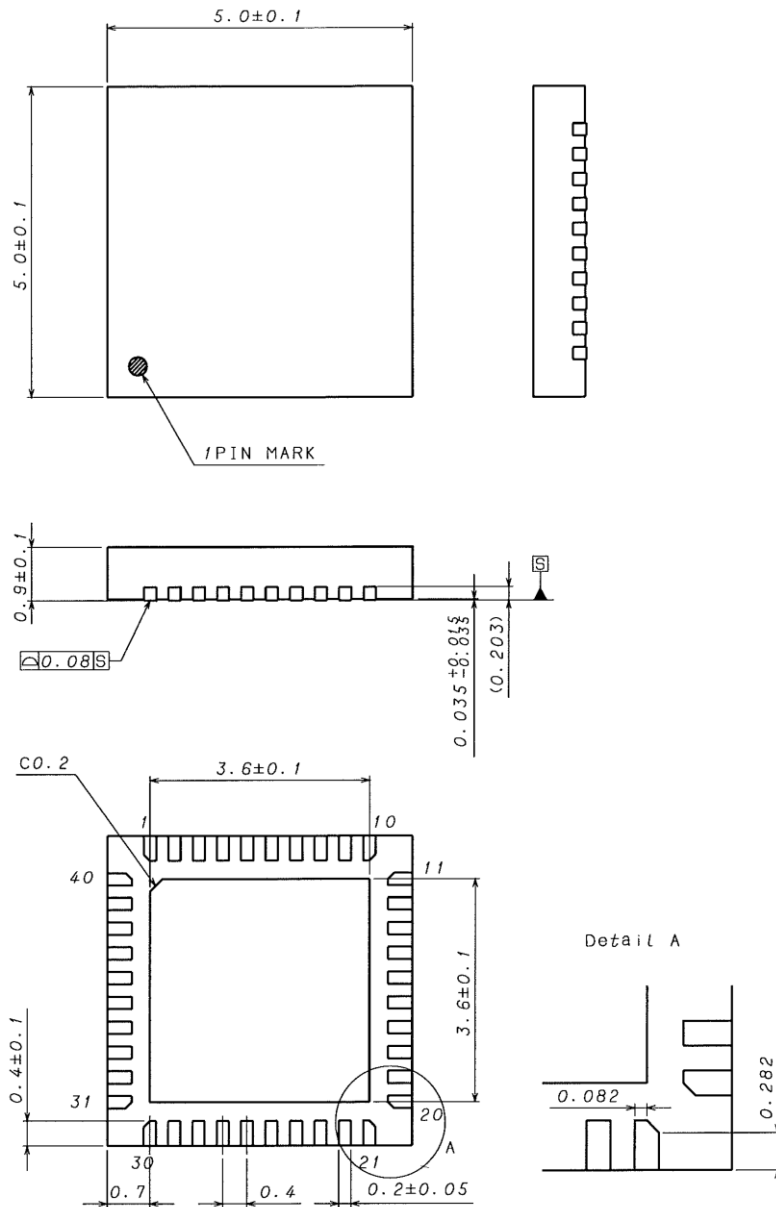


Marking Diagrams



Physical Dimension and Packing Information

|              |              |
|--------------|--------------|
| Package Name | UQFN40V5050A |
|--------------|--------------|

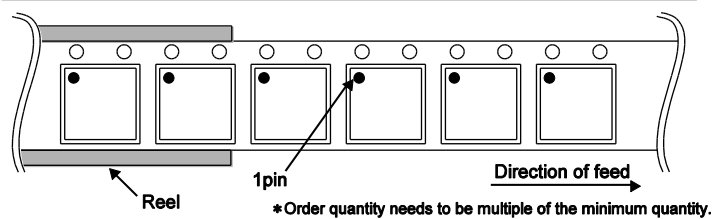


(UNIT: mm)

PKG: UQFN40V5050A  
Drawing No. EX001-0014

<Tape and Reel information>

|                   |   |
|-------------------|---|
| Tape              | Embossed carrier tape   |
| Quantity          | 2500pcs   |
| Direction of feed | E2<br>(The direction is the 1pin of product is at the upper left when you hold reel on the left hand and you pull out the tape on the right hand) |



**Revision History**

| Date        | Revision | Changes  |
|-------------|----------|--|
| 21.Sep.2016 | 001      | New Release  |
| 06.Mar.2017 | 002      | (1) Page 1, 4, 24 title name changed<br>(2) Page 27 Ordering Information changed |
| 19.Jan.2018 | 003      | (1) Datasheet format update<br>(2) Correct errors of the VBUS detection rate     |

# Notice

## Precaution on using ROHM Products

- Our Products are designed and manufactured for application in ordinary electronic equipment (such as AV equipment, OA equipment, telecommunication equipment, home electronic appliances, amusement equipment, etc.). If you intend to use our Products in devices requiring extremely high reliability (such as medical equipment <sup>(Note 1)</sup>, transport equipment, traffic equipment, aircraft/spacecraft, nuclear power controllers, fuel controllers, car equipment including car accessories, safety devices, etc.) and whose malfunction or failure may cause loss of human life, bodily injury or serious damage to property ("Specific Applications"), please consult with the ROHM sales representative in advance. Unless otherwise agreed in writing by ROHM in advance, ROHM shall not be in any way responsible or liable for any damages, expenses or losses incurred by you or third parties arising from the use of any ROHM's Products for Specific Applications.

(Note1) Medical Equipment Classification of the Specific Applications

| JAPAN     | USA       | EU         | CHINA     |
|-----------|-----------|------------|-----------|
| CLASS III | CLASS III | CLASS II b | CLASS III |
| CLASS IV  |           | CLASS III  |           |

- ROHM designs and manufactures its Products subject to strict quality control system. However, semiconductor products can fail or malfunction at a certain rate. Please be sure to implement, at your own responsibilities, adequate safety measures including but not limited to fail-safe design against the physical injury, damage to any property, which a failure or malfunction of our Products may cause. The following are examples of safety measures:
  - Installation of protection circuits or other protective devices to improve system safety
  - Installation of redundant circuits to reduce the impact of single or multiple circuit failure
- Our Products are designed and manufactured for use under standard conditions and not under any special or extraordinary environments or conditions, as exemplified below. Accordingly, ROHM shall not be in any way responsible or liable for any damages, expenses or losses arising from the use of any ROHM's Products under any special or extraordinary environments or conditions. If you intend to use our Products under any special or extraordinary environments or conditions (as exemplified below), your independent verification and confirmation of product performance, reliability, etc. prior to use, must be necessary:
  - Use of our Products in any types of liquid, including water, oils, chemicals, and organic solvents
  - Use of our Products outdoors or in places where the Products are exposed to direct sunlight or dust
  - Use of our Products in places where the Products are exposed to sea wind or corrosive gases, including Cl<sub>2</sub>, H<sub>2</sub>S, NH<sub>3</sub>, SO<sub>2</sub>, and NO<sub>2</sub>
  - Use of our Products in places where the Products are exposed to static electricity or electromagnetic waves
  - Use of our Products in proximity to heat-producing components, plastic cords, or other flammable items
  - Sealing or coating our Products with resin or other coating materials
  - Use of our Products without cleaning residue of flux (even if you use no-clean type fluxes, cleaning residue of flux is recommended); or Washing our Products by using water or water-soluble cleaning agents for cleaning residue after soldering
  - Use of the Products in places subject to dew condensation
- The Products are not subject to radiation-proof design.
- Please verify and confirm characteristics of the final or mounted products in using the Products.
- In particular, if a transient load (a large amount of load applied in a short period of time, such as pulse. is applied, confirmation of performance characteristics after on-board mounting is strongly recommended. Avoid applying power exceeding normal rated power; exceeding the power rating under steady-state loading condition may negatively affect product performance and reliability.
- De-rate Power Dissipation depending on ambient temperature. When used in sealed area, confirm that it is the use in the range that does not exceed the maximum junction temperature.
- Confirm that operation temperature is within the specified range described in the product specification.
- ROHM shall not be in any way responsible or liable for failure induced under deviant condition from what is defined in this document.

## Precaution for Mounting / Circuit board design

- When a highly active halogenous (chlorine, bromine, etc.) flux is used, the residue of flux may negatively affect product performance and reliability.
- In principle, the reflow soldering method must be used on a surface-mount products, the flow soldering method must be used on a through hole mount products. If the flow soldering method is preferred on a surface-mount products, please consult with the ROHM representative in advance.

For details, please refer to ROHM Mounting specification

### Precautions Regarding Application Examples and External Circuits

1. If change is made to the constant of an external circuit, please allow a sufficient margin considering variations of the characteristics of the Products and external components, including transient characteristics, as well as static characteristics.
2. You agree that application notes, reference designs, and associated data and information contained in this document are presented only as guidance for Products use. Therefore, in case you use such information, you are solely responsible for it and you must exercise your own independent verification and judgment in the use of such information contained in this document. ROHM shall not be in any way responsible or liable for any damages, expenses or losses incurred by you or third parties arising from the use of such information.

### Precaution for Electrostatic

This Product is electrostatic sensitive product, which may be damaged due to electrostatic discharge. Please take proper caution in your manufacturing process and storage so that voltage exceeding the Products maximum rating will not be applied to Products. Please take special care under dry condition (e.g. Grounding of human body / equipment / solder iron, isolation from charged objects, setting of Ionizer, friction prevention and temperature / humidity control).

### Precaution for Storage / Transportation

1. Product performance and soldered connections may deteriorate if the Products are stored in the places where:
  - [a] the Products are exposed to sea winds or corrosive gases, including Cl<sub>2</sub>, H<sub>2</sub>S, NH<sub>3</sub>, SO<sub>2</sub>, and NO<sub>2</sub>
  - [b] the temperature or humidity exceeds those recommended by ROHM
  - [c] the Products are exposed to direct sunshine or condensation
  - [d] the Products are exposed to high Electrostatic
2. Even under ROHM recommended storage condition, solderability of products out of recommended storage time period may be degraded. It is strongly recommended to confirm solderability before using Products of which storage time is exceeding the recommended storage time period.
3. Store / transport cartons in the correct direction, which is indicated on a carton with a symbol. Otherwise bent leads may occur due to excessive stress applied when dropping of a carton.
4. Use Products within the specified time after opening a humidity barrier bag. Baking is required before using Products of which storage time is exceeding the recommended storage time period.

### Precaution for Product Label

A two-dimensional barcode printed on ROHM Products label is for ROHM's internal use only.

### Precaution for Disposition

When disposing Products please dispose them properly using an authorized industry waste company.

### Precaution for Foreign Exchange and Foreign Trade act

Since concerned goods might be fallen under listed items of export control prescribed by Foreign exchange and Foreign trade act, please consult with ROHM in case of export.

### Precaution Regarding Intellectual Property Rights

1. All information and data including but not limited to application example contained in this document is for reference only. ROHM does not warrant that foregoing information or data will not infringe any intellectual property rights or any other rights of any third party regarding such information or data.
2. ROHM shall not have any obligations where the claims, actions or demands arising from the combination of the Products with other articles such as components, circuits, systems or external equipment (including software).
3. No license, expressly or implied, is granted hereby under any intellectual property rights or other rights of ROHM or any third parties with respect to the Products or the information contained in this document. Provided, however, that ROHM will not assert its intellectual property rights or other rights against you or your customers to the extent necessary to manufacture or sell products containing the Products, subject to the terms and conditions herein.

### Other Precaution

1. This document may not be reprinted or reproduced, in whole or in part, without prior written consent of ROHM.
2. The Products may not be disassembled, converted, modified, reproduced or otherwise changed without prior written consent of ROHM.
3. In no event shall you use in any way whatsoever the Products and the related technical information contained in the Products or this document for any military purposes, including but not limited to, the development of mass-destruction weapons.
4. The proper names of companies or products described in this document are trademarks or registered trademarks of ROHM, its affiliated companies or third parties.

**General Precaution**

1. Before you use our Products, you are requested to carefully read this document and fully understand its contents. ROHM shall not be in any way responsible or liable for failure, malfunction or accident arising from the use of any ROHM's Products against warning, caution or note contained in this document.
2. All information contained in this document is current as of the issuing date and subject to change without any prior notice. Before purchasing or using ROHM's Products, please confirm the latest information with a ROHM sales representative.
3. The information contained in this document is provided on an "as is" basis and ROHM does not warrant that all information contained in this document is accurate and/or error-free. ROHM shall not be in any way responsible or liable for any damages, expenses or losses incurred by you or third parties resulting from inaccuracy or errors of or concerning such information.



## BM92A20MWV - Web Page

[Distribution Inventory](#)

|                             |              |
|-----------------------------|--------------|
| Part Number                 | BM92A20MWV   |
| Package                     | UQFN40V5050A |
| Unit Quantity               | 2500         |
| Minimum Package Quantity    | 2500         |
| Packing Type                | Taping       |
| Constitution Materials List | inquiry      |
| RoHS                        | Yes          |