



# Low-Cost, +3V/+5V, 620 $\mu$ A, 200MHz, Single-Supply Op Amps with Rail-to-Rail Outputs

## General Description

The MAX4452/MAX4352 single, MAX4453/MAX4353 dual, and MAX4454/MAX4354 quad amplifiers combine high-speed performance with ultra-low power consumption. The MAX4452/MAX4453/MAX4454 are unity-gain stable and achieve a -3dB bandwidth of 200MHz, while the MAX4352/MAX4353/MAX4354 are compensated for a minimum closed-loop gain of +5V/V and achieve a 80MHz -3dB bandwidth. These devices consume only 620 $\mu$ A of supply current per amplifier.

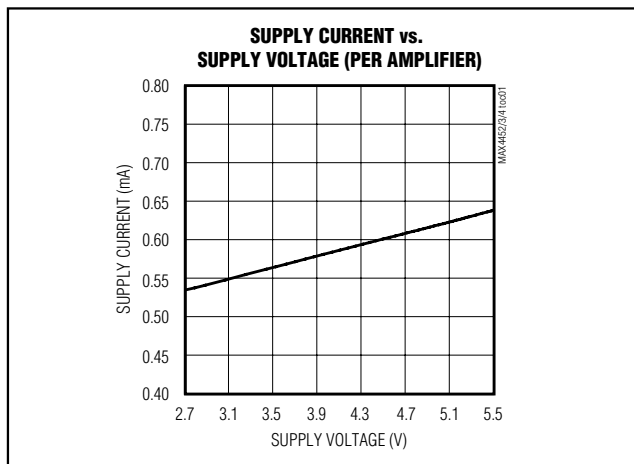
These amplifiers operate from a +2.7V to +5.25V single supply and feature Rail-to-Rail<sup>®</sup> outputs. Along with an excellent speed/power ratio of 323MHz/mA, these devices feature a slew rate of 95V/ $\mu$ s and fast 20ns rise and fall times. These devices are ideal for low-power/low-voltage systems that require wide bandwidth such as cell phones and keyless entry systems.

The MAX4452/MAX4352 are available in miniature 5-pin SC70 and SOT23 packages, while the MAX4453/MAX4353 are available in tiny 8-pin SOT23 and SO packages. The MAX4454/MAX4354 are available in space-saving 14-pin TSSOP and SO packages.

## Applications

Battery-Powered Instruments  
Cellular Telephones  
Portable Communications  
Keyless Entry  
Baseband Applications

## Typical Operating Characteristic



Rail-to-Rail is a registered trademark of Nippon Motorola Ltd.

## Features

- ◆ Ultra-Low 620 $\mu$ A Supply Current
- ◆ High Speed (MAX4452/MAX4453/MAX4454)
  - 200MHz -3dB Bandwidth
  - 30MHz 0.1dB Gain Flatness
  - 95V/ $\mu$ s Slew Rate
- ◆ High Speed (MAX4352/MAX4353/MAX4354)
  - 80MHz -3dB Bandwidth
  - 4MHz 0.1dB Gain Flatness
  - 240V/ $\mu$ s Slew Rate
- ◆ Single +3V/+5V Operation
- ◆ Rail-to-Rail Outputs
- ◆ Input Common-Mode Range Extends Beyond VEE
- ◆ Ultra-Small SC70-5, SOT23-5, and SOT23-8 Packages

## Ordering Information

PART	TEMP. RANGE	PIN-PACKAGE	TOP MARK
MAX4452EXK-T	-40°C to +85°C	5 SC70-5	ABI
MAX4452EUK-T	-40°C to +85°C	5 SOT23-5	ADOV
MAX4453EKA-T	-40°C to +85°C	8 SOT23-8	AADS
MAX4453ESA	-40°C to +85°C	8 SO	—
MAX4454EUD	-40°C to +85°C	14 TSSOP	—
MAX4454ESD	-40°C to +85°C	14 SO	—
MAX4352EXK-T	-40°C to +85°C	5 SC70-5	ABJ
MAX4352EUK-T	-40°C to +85°C	5 SOT23-5	ADOW
MAX4353EKA-T	-40°C to +85°C	8 SOT23-8	AADT
MAX4353ESA	-40°C to +85°C	8 SO	—
MAX4354EUD	-40°C to +85°C	14 TSSOP	—
MAX4354ESD	-40°C to +85°C	14 SO	—

Pin Configurations appear at end of data sheet.

## Selector Guide

PART	NO. OF AMPS	MIN GAIN	GAIN BANDWIDTH (MHz)	SLEW RATE (V/ $\mu$ s)
MAX4452	1	1	200	95
MAX4352	1	5	400	240
MAX4453	2	1	200	95
MAX4353	2	5	400	240
MAX4454	4	1	200	95
MAX4354	4	5	400	240



Maxim Integrated Products 1

For price, delivery, and to place orders, please contact Maxim Distribution at 1-888-629-4642, or visit Maxim's website at [www.maxim-ic.com](http://www.maxim-ic.com).

MAX4452/MAX4453/MAX4454/MAX4352/MAX4353/MAX4354

# Low-Cost, +3V/+5V, 620µA, 200MHz, Single-Supply Op Amps with Rail-to-Rail Outputs

## ABSOLUTE MAXIMUM RATINGS

Supply Voltage (V <sub>CC</sub> to V <sub>EE</sub> ).....	+6V	14-Pin TSSOP (derate 6.3mW/°C above +70°C) .....	500mW
Differential Input Voltage .....	2.5V	14-Pin SO (derate 8mW/°C above +70°C).....	640mW
IN <sub>-</sub> , IN <sub>+</sub> , OUT <sub>-</sub> .....	(V <sub>CC</sub> + 0.3V) to (V <sub>EE</sub> - 0.3V)	Operating Temperature Range .....	-40°C to +85°C
Current into Input Pins (IN <sub>-</sub> , IN <sub>+</sub> ) .....	±20mA	Junction Temperature .....	+150°C
Output Short-Circuit Duration to V <sub>CC</sub> , V <sub>EE</sub> .....	Continuous	Storage Temperature Range .....	-65°C to +150°C
Continuous Power Dissipation (T <sub>A</sub> = +70°C)		Lead Temperature (soldering, 10s) .....	+300°C
5-Pin SC70 (derate 3.1mW/°C above +70°C).....	247mW		
5 Pin SOT23 (derate 7.1mW/°C above +70°C).....	571mW		
8-Pin SOT23 (derate 8.9mW/°C above +70°C).....	741mW		
8-Pin SO (derate 5.9mW/°C above +70°C).....	471mW		

Stresses beyond those listed under "Absolute Maximum Ratings" may cause permanent damage to the device. These are stress ratings only, and functional operation of the device at these or any other conditions beyond those indicated in the operational sections of the specifications is not implied. Exposure to absolute maximum rating conditions for extended periods may affect device reliability.

## DC ELECTRICAL CHARACTERISTICS

(V<sub>CC</sub> = +5V, V<sub>CM</sub> = V<sub>CC</sub>/2 - 0.75V, V<sub>EE</sub> = 0, R<sub>L</sub> = ∞ to V<sub>CC</sub>/2, V<sub>OUT</sub> = V<sub>CC</sub>/2, T<sub>A</sub> = T<sub>MIN</sub> to T<sub>MAX</sub>, unless otherwise noted. Typical values are at T<sub>A</sub> = +25°C.) (Note 1)

PARAMETER	SYMBOL	CONDITIONS	MIN	TYP	MAX	UNITS
Operating Supply Voltage Range	V <sub>S</sub>	Guaranteed by PSRR test	2.7		5.25	V
Quiescent Supply Current (Per Amplifier)	I <sub>S</sub>	V <sub>CC</sub> = +5V		620	1200	µA
		V <sub>CC</sub> = +3V		530		
Input Common-Mode Voltage Range	V <sub>CM</sub>	Guaranteed by CMRR test	V <sub>EE</sub> - 0.1		V <sub>CC</sub> - 1.5	V
Input Offset Voltage	V <sub>OS</sub>			0.4	12	mV
Input Offset Voltage Temperature Coefficient	TC <sub>VOS</sub>			7		µV/°C
Input Offset Voltage Matching		MAX4453/MAX4454/MAX4353/MAX4354		±1		mV
Input Bias Current	I <sub>B</sub>			0.8	3	µA
Input Offset Current	I <sub>OS</sub>			0.1		µA
Input Resistance	R <sub>IN</sub>	Differential mode, -0.04V ≤ (V <sub>IN+</sub> - V <sub>IN-</sub> ) ≤ +0.04V		120		kΩ
		Common mode, V <sub>EE</sub> - 0.1V ≤ V <sub>CM</sub> ≤ V <sub>CC</sub> - 1.5V		30		MΩ
Common-Mode Rejection Ratio	CMRR	V <sub>EE</sub> - 0.1V ≤ V <sub>CM</sub> ≤ V <sub>CC</sub> - 1.5V	60	100		dB
Open-Loop Gain	A <sub>VOL</sub>	+0.5V ≤ V <sub>OUT</sub> ≤ +4.5V, R <sub>L</sub> = 1kΩ	60	80		dB
Output Current	I <sub>OUT</sub>	R <sub>L</sub> = 20Ω connected to V <sub>CC</sub> or V <sub>EE</sub>	Sourcing	15		mA
			Sinking	22		
Output Voltage Swing	V <sub>OUT</sub>	R <sub>L</sub> = 1kΩ	V <sub>CC</sub> - V <sub>OH</sub>	180	400	mV
			V <sub>OL</sub> - V <sub>EE</sub>	75	350	
Output Short-Circuit Current	I <sub>SC</sub>	Sourcing		17		mA
		Sinking		24		
Power-Supply Rejection Ratio	PSRR	V <sub>CC</sub> = +2.7V to +5.25V, V <sub>CM</sub> = 0, V <sub>OUT</sub> = 2V	60	70		dB

# Low-Cost, +3V/+5V, 620 $\mu$ A, 200MHz, Single-Supply Op Amps with Rail-to-Rail Outputs

## AC ELECTRICAL CHARACTERISTICS

( $V_{CC} = +5V$ ,  $V_{EE} = 0$ ,  $V_{CM} = +1.75V$ ,  $R_L = 1k\Omega$  to  $V_{CC}/2$ ,  $A_{VCL} = +1V/V$  (MAX4452/MAX4453/MAX4454),  $A_{VCL} = +5V/V$  (MAX4352/MAX4353/MAX4354),  $T_A = +25^\circ C$ , unless otherwise noted.)

PARAMETER	SYMBOL	CONDITIONS		MIN	TYP	MAX	UNITS
Small Signal -3dB Bandwidth	BW <sub>SS</sub>	$V_{OUT} = 100mV_{p-p}$	MAX4452/MAX4453/ MAX4454		200		MHz
			MAX4352/MAX4353/ MAX4354		80		
Large Signal -3dB Bandwidth	BW <sub>LS</sub>	$V_{OUT} = 2V_{p-p}$	MAX4452/MAX4453/ MAX4454		15		MHz
			MAX4352/MAX4353/ MAX4354		38		
Bandwidth for 0.1dB Flatness	BW <sub>0.1dB</sub>	$V_{OUT} = 100mV_{p-p}$	MAX4452/MAX4453/ MAX4454		30		MHz
			MAX4352/MAX4353/ MAX4354		4		
Slew Rate	SR	$V_{OUT} = 2V$ step	MAX4452/MAX4453/ MAX4454		95		V/ $\mu$ s
			MAX4352/MAX4353/ MAX4354		240		
Rise/Fall Time	$t_R, t_F$	$V_{OUT} = 2V$ step 10% to 90%	MAX4452/MAX4453/ MAX4454		20		ns
			MAX4352/MAX4353/ MAX4354		8		
Settling Time	$t_s$ 1%	$V_{OUT} = 2V$ step	MAX4452/MAX4453/ MAX4454		40		ns
			MAX4352/MAX4353/ MAX4354		50		
	$t_s$ 0.1%	$V_{OUT} = 2V$ step	MAX4452/MAX4453/ MAX4454		50		
			MAX4352/MAX4353/ MAX4354		60		

MAX4452/MAX4453/MAX4454/MAX4352/MAX4353/MAX4354

# Low-Cost, +3V/+5V, 620 $\mu$ A, 200MHz, Single-Supply Op Amps with Rail-to-Rail Outputs

## AC ELECTRICAL CHARACTERISTICS (continued)

( $V_{CC} = +5V$ ,  $V_{EE} = 0$ ,  $V_{CM} = +1.75V$ ,  $R_L = 1k\Omega$  to  $V_{CC}/2$ ,  $A_{VCL} = +1V/V$  (MAX4452/MAX4453/MAX4454),  $A_{VCL} = +5V/V$  (MAX4352/MAX4353/MAX4354),  $T_A = +25^\circ C$ , unless otherwise noted.)

PARAMETER	SYMBOL	CONDITIONS		MIN	TYP	MAX	UNITS	
Spurious-Free Dynamic Range	SFDR	$V_{CC} = 5V$ , $V_{OUT} = 2V_{p-p}$ , $f_C = 1MHz$	MAX4452/MAX4453/ MAX4454		-83		dBc	
			MAX4352/MAX4353/ MAX4354		-74			
		$V_{CC} = 3V$ , $V_{OUT} = 2V_{p-p}$ , $f_C = 1MHz$	MAX4452/MAX4453/ MAX4454		-79			
			MAX4352/MAX4353/ MAX4354		-70			
2nd-Harmonic Distortion		$V_{CC} = 5V$ , $V_{OUT} = 2V_{p-p}$ , $f_C = 1MHz$	MAX4452/MAX4453/ MAX4454		-83		dBc	
			MAX4352/MAX4353/ MAX4354		-74			
		$V_{CC} = 3V$ , $V_{OUT} = 1V_{p-p}$ , $f_C = 1MHz$	MAX4452/MAX4453/ MAX4454		-79			
			MAX4352/MAX4353/ MAX4354		-70			
3rd-Harmonic Distortion		$V_{CC} = 5V$ , $V_{OUT} = 2V_{p-p}$ , $f_C = 1MHz$	MAX4452/MAX4453/ MAX4454		-87		dBc	
			MAX4352/MAX4353/ MAX4354		-74			
		$V_{CC} = 3V$ , $V_{OUT} = 1V_{p-p}$ , $f_C = 1MHz$	MAX4452/MAX4453/ MAX4454		-80			
			MAX4352/MAX4353/ MAX4354		-72			
Total Harmonic Distortion	THD	$V_{CC} = 5V$ , $V_{OUT} = 2V_{p-p}$ , $f_C = 1MHz$	MAX4452/MAX4453/ MAX4454		-82		dB	
			MAX4352/MAX4353/ MAX4354		-71			
		$V_{CC} = 3V$ , $V_{OUT} = 1V_{p-p}$ , $f_C = 1MHz$	MAX4452/MAX4453/ MAX4454		-77			
			MAX4352/MAX4353/ MAX4354		-68			

# Low-Cost, +3V/+5V, 620μA, 200MHz, Single-Supply Op Amps with Rail-to-Rail Outputs

## AC ELECTRICAL CHARACTERISTICS (continued)

( $V_{CC} = +5V$ ,  $V_{EE} = 0$ ,  $V_{CM} = +1.75V$ ,  $R_L = 1k\Omega$  to  $V_{CC}/2$ ,  $A_{VCL} = +1V/V$  (MAX4452/MAX4453/MAX4454),  $A_{VCL} = +5V/V$  (MAX4352/MAX4353/MAX4354),  $T_A = +25^\circ C$ , unless otherwise noted.)

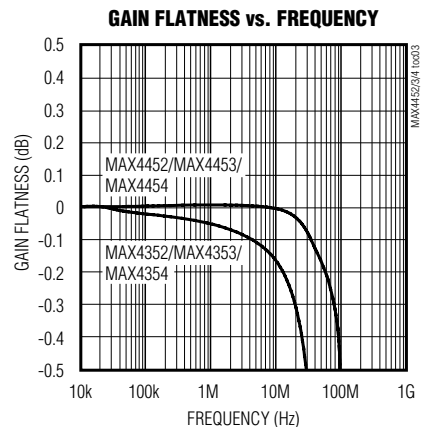
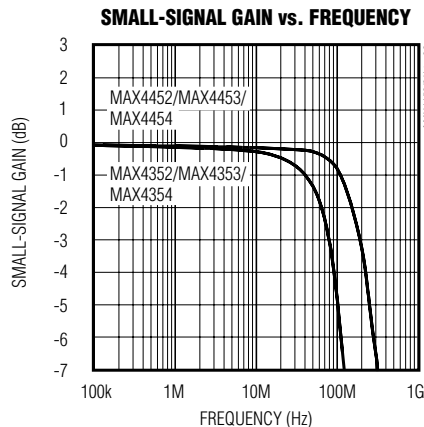
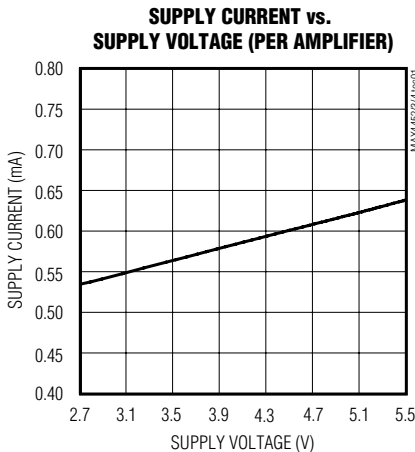
PARAMETER	SYMBOL	CONDITIONS	MIN	TYP	MAX	UNITS
Two-Tone, Third-Order Intermodulation Distortion		$f_1 = 2MHz$ , $f_2 = 2.1MHz$		-65		dBc
Input Noise-Voltage Density	$e_n$	$f = 10kHz$		15		nV/ $\sqrt{Hz}$
Input Noise-Current Density	$i_n$	$f = 10kHz$		0.5		pA/ $\sqrt{Hz}$
Input Capacitance	$C_{IN}$			2		pF
Output Impedance	$Z_{OUT}$	$f = 1MHz$		0.8		$\Omega$
Capacitive Load Drive				22		pF
Crosstalk	$X_{TALK}$	MAX4453/MAX4454/MAX4353/MAX4354 $V_{OUT} = 100mV_{p-p}$ , $f = 1MHz$		-74		dB
Power-Up 1% Settling Time (Note 2)				1	100	$\mu s$

**Note 1:** Units are 100% production tested at  $T_A = +25^\circ C$ . Specifications over temperature limits are guaranteed by design.

**Note 2:** Guaranteed by design.

## Typical Operating Characteristics

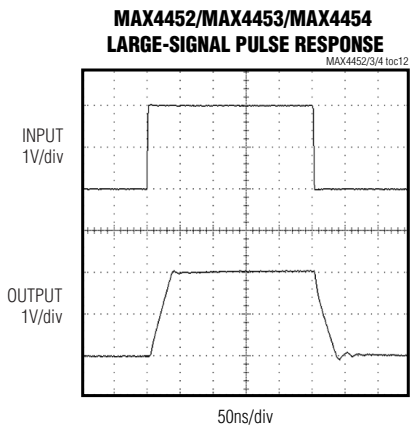
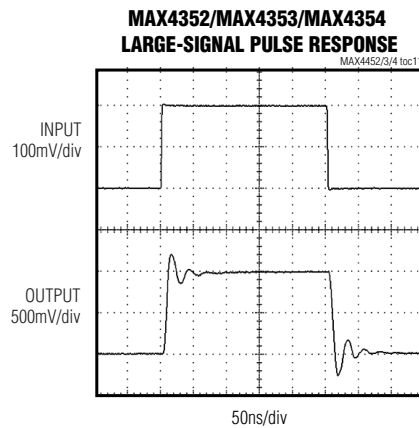
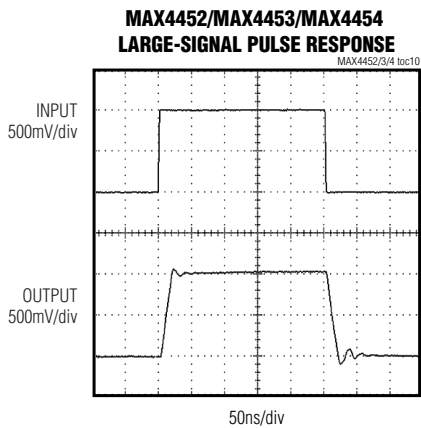
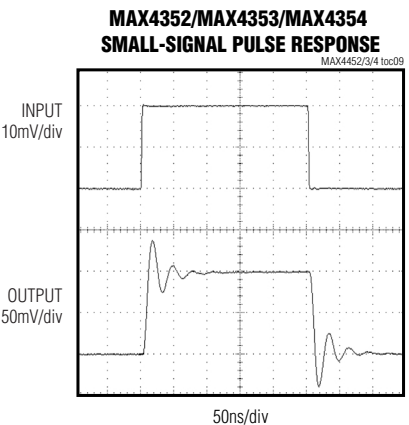
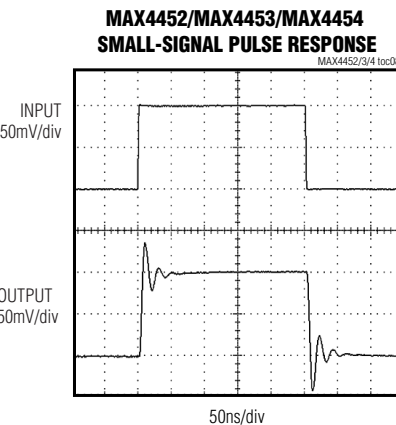
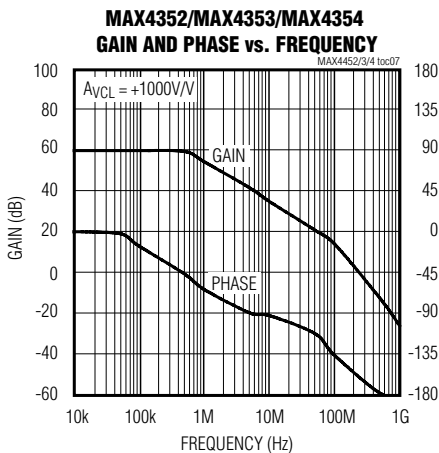
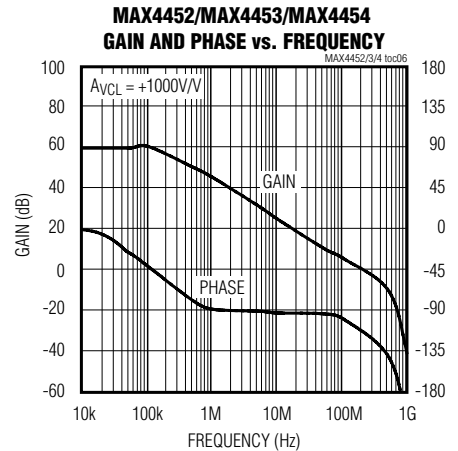
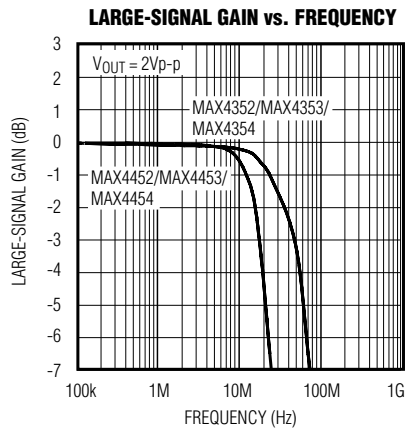
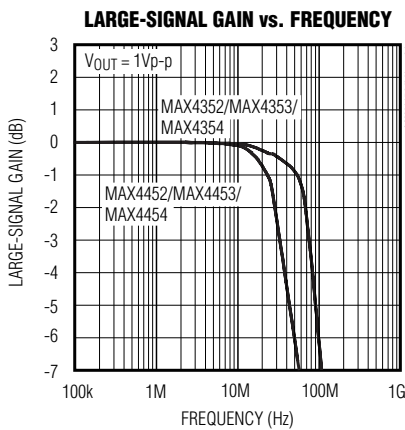
( $V_{CC} = +5V$ ,  $V_{EE} = 0$ ,  $V_{CM} = +1.75V$ ,  $A_{VCL} = +1V/V$  (MAX4452/MAX4453/MAX4454),  $A_{VCL} = +5V/V$  (MAX4352/MAX4353/MAX4354),  $R_L = 1k\Omega$  to  $V_{CC}/2$ ,  $C_L = 5pF$ ,  $T_A = +25^\circ C$ , unless otherwise noted.)



# Low-Cost, +3V/+5V, 620 $\mu$ A, 200MHz, Single-Supply Op Amps with Rail-to-Rail Outputs

## Typical Operating Characteristics (continued)

( $V_{CC} = +5V$ ,  $V_{EE} = 0$ ,  $V_{CM} = +1.75V$ ,  $A_{VCL} = +1V/V$  (MAX4452/MAX4453/MAX4454),  $A_{VCL} = +5V/V$  (MAX4352/MAX4353/MAX4354),  $R_L = 1k\Omega$  to  $V_{CC}/2$ ,  $C_L = 5pF$ ,  $T_A = +25^\circ C$ , unless otherwise noted.)

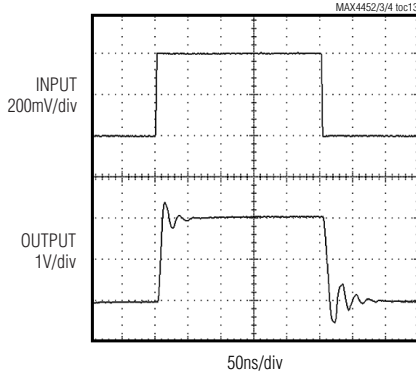


# Low-Cost, +3V/+5V, 620 $\mu$ A, 200MHz, Single-Supply Op Amps with Rail-to-Rail Outputs

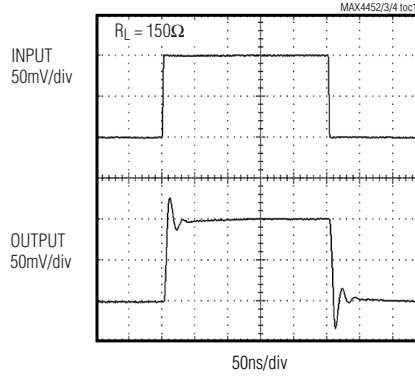
## Typical Operating Characteristics (continued)

( $V_{CC} = +5V$ ,  $V_{EE} = 0$ ,  $V_{CM} = +1.75V$ ,  $A_{VCL} = +1V/V$  (MAX4452/MAX4453/MAX4454),  $A_{VCL} = +5V/V$  (MAX4352/MAX4353/MAX4354),  $R_L = 1k\Omega$  to  $V_{CC}/2$ ,  $C_L = 5pF$ ,  $T_A = +25^\circ C$ , unless otherwise noted.)

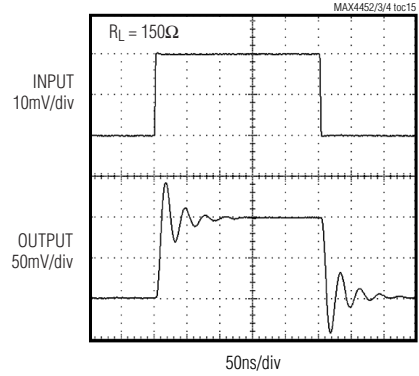
**MAX4352/MAX4353/MAX4354  
LARGE-SIGNAL PULSE RESPONSE**



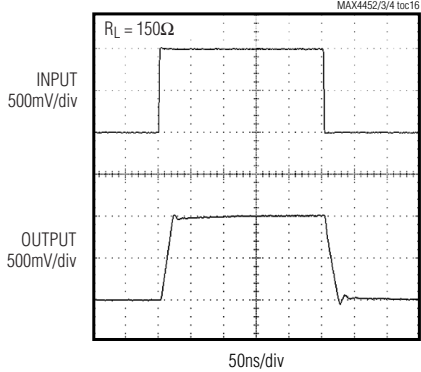
**MAX4452/MAX4453/MAX4454  
SMALL-SIGNAL PULSE RESPONSE**



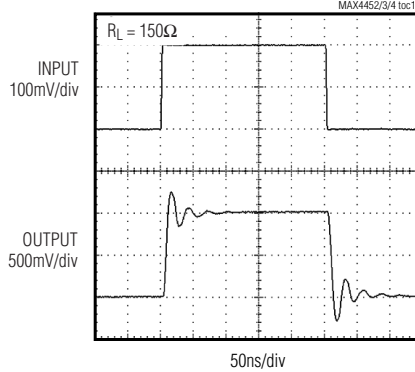
**MAX4352/MAX4353/MAX4354  
SMALL-SIGNAL PULSE RESPONSE**



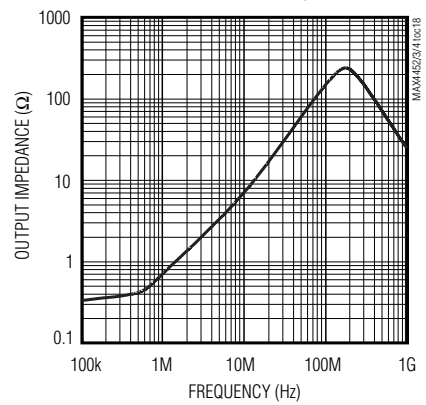
**MAX4452/MAX4453/MAX4454  
LARGE-SIGNAL PULSE RESPONSE**



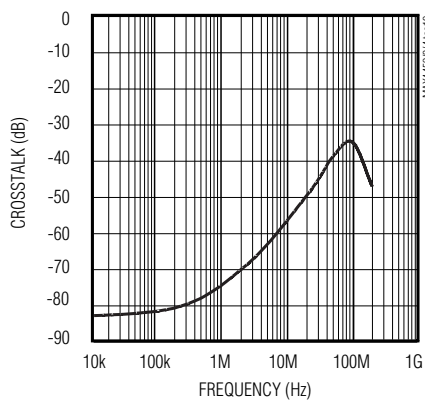
**MAX4352/MAX4353/MAX4354  
LARGE-SIGNAL PULSE RESPONSE**



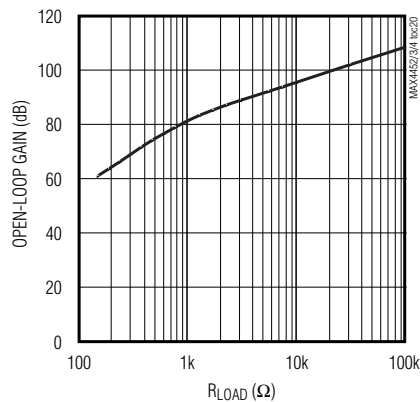
**CLOSED-LOOP OUTPUT  
IMPEDANCE vs. FREQUENCY**



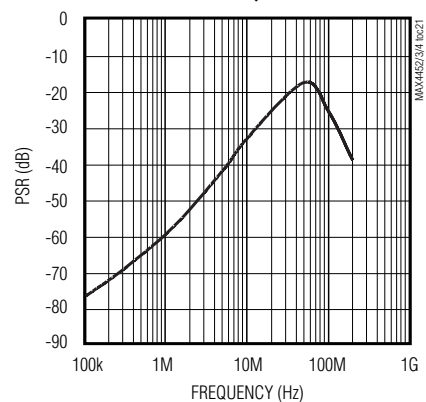
**CROSSTALK vs. FREQUENCY**



**OPEN-LOOP GAIN  
vs. LOAD RESISTANCE**



**POWER-SUPPLY REJECTION  
vs. FREQUENCY**



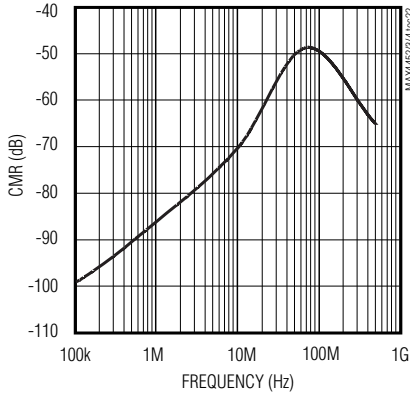


# Low-Cost, +3V/+5V, 620 $\mu$ A, 200MHz, Single-Supply Op Amps with Rail-to-Rail Outputs

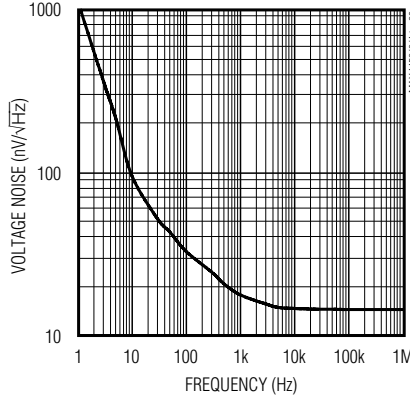
## Typical Operating Characteristics (continued)

( $V_{CC} = +5V$ ,  $V_{EE} = 0$ ,  $V_{CM} = +1.75V$ ,  $A_{VCL} = +1V/V$  (MAX4452/MAX4453/MAX4454),  $A_{VCL} = +5V/V$  (MAX4352/MAX4353/MAX4354),  $R_L = 1k\Omega$  to  $V_{CC}/2$ ,  $C_L = 5pF$ ,  $T_A = +25^\circ C$ , unless otherwise noted.)

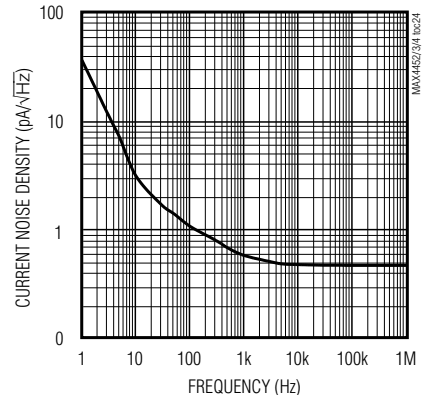
**COMMON-MODE REJECTION vs. FREQUENCY**



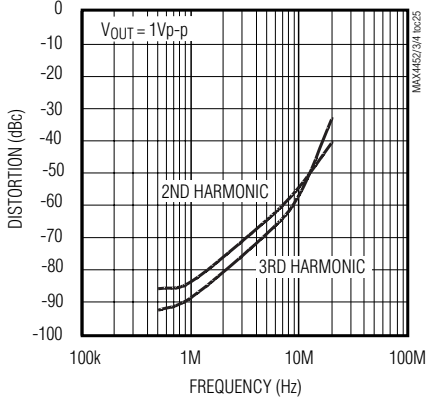
**VOLTAGE NOISE DENSITY vs. FREQUENCY**



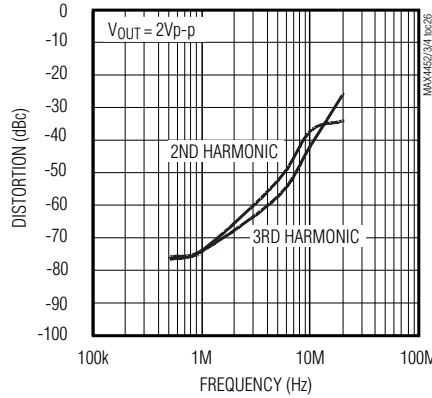
**CURRENT NOISE DENSITY vs. FREQUENCY**



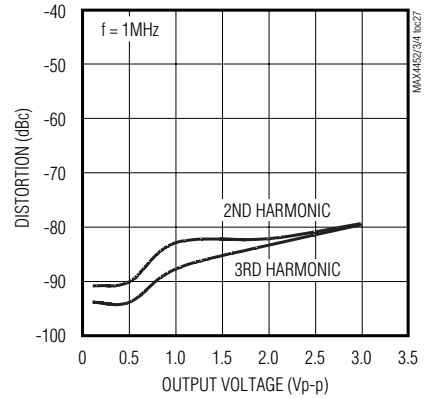
**MAX4452/MAX4453/MAX4454 DISTORTION vs. FREQUENCY**



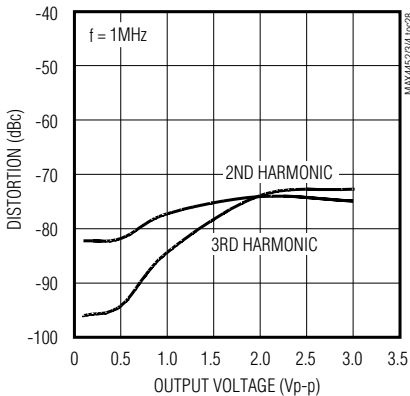
**MAX4352/MAX4353/MAX4354 DISTORTION vs. FREQUENCY**



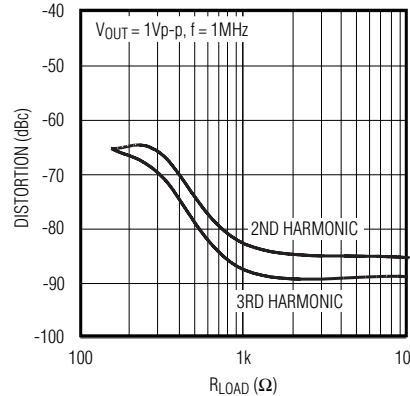
**MAX4452/MAX4453/MAX4454 DISTORTION vs. OUTPUT VOLTAGE**



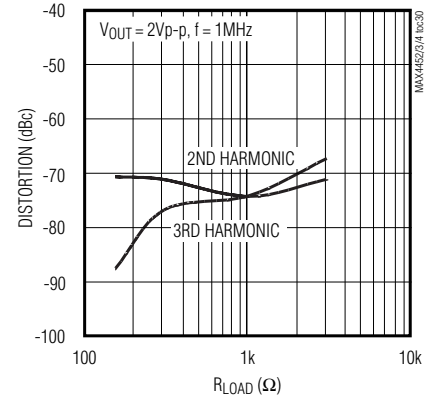
**MAX4352/MAX4353/MAX4354 DISTORTION vs. OUTPUT VOLTAGE**



**MAX4452/MAX4453/MAX4454 DISTORTION vs. OUTPUT RESISTANCE**



**MAX4352/MAX4353/MAX4354 DISTORTION vs. OUTPUT RESISTANCE**

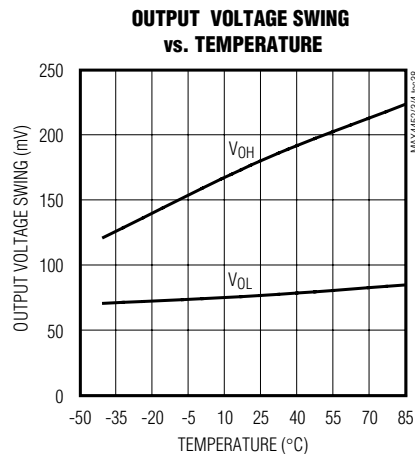
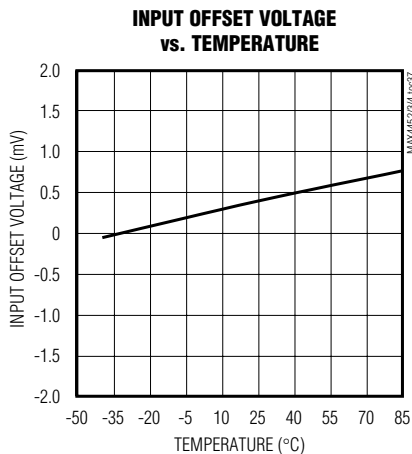
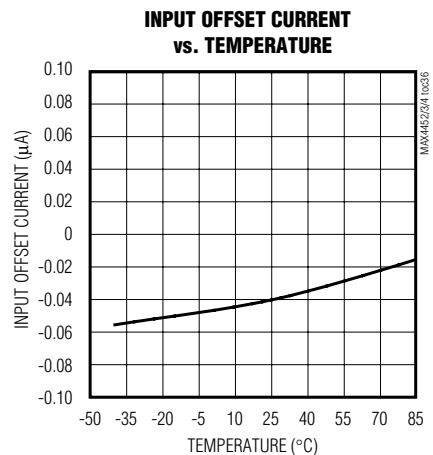
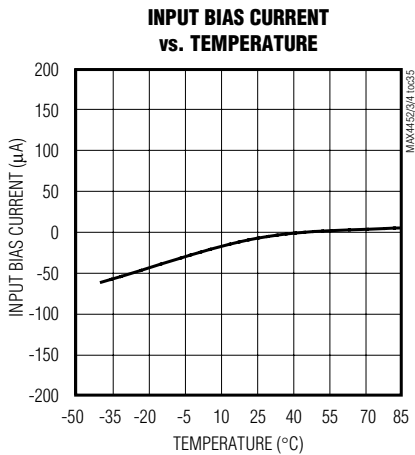
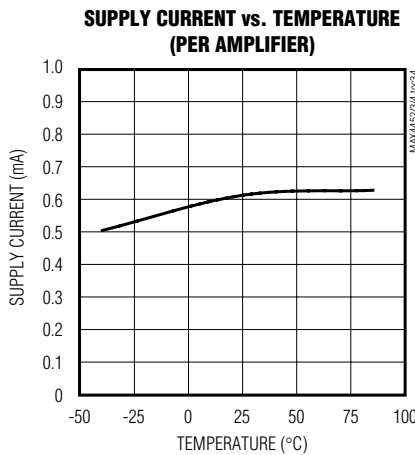
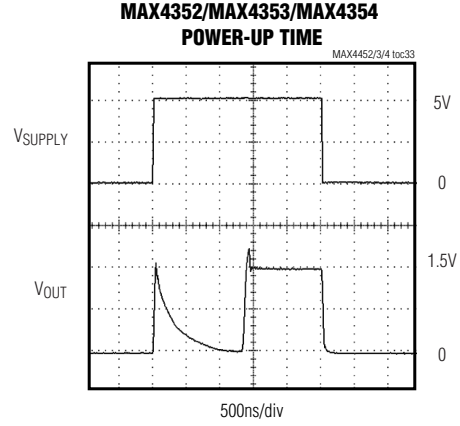
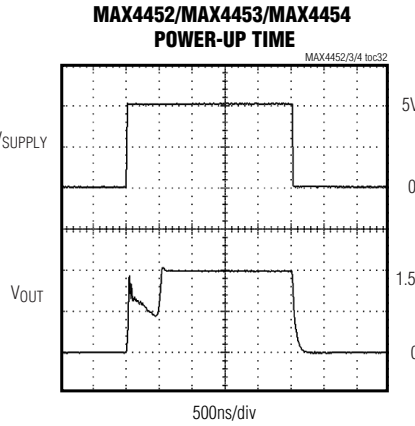
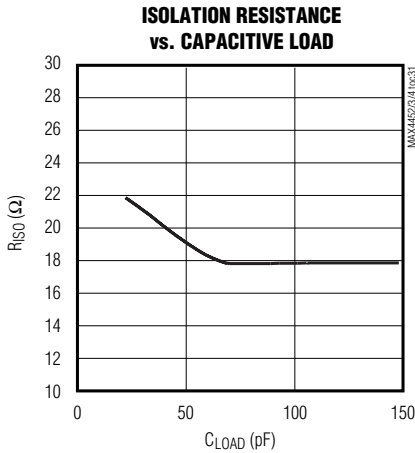




# Low-Cost, +3V/+5V, 620 $\mu$ A, 200MHz, Single-Supply Op Amps with Rail-to-Rail Outputs

## Typical Operating Characteristics (continued)

( $V_{CC} = +5V$ ,  $V_{EE} = 0$ ,  $V_{CM} = +1.75V$ ,  $A_{VCL} = +1V/V$  (MAX4452/MAX4453/MAX4454),  $A_{VCL} = +5V/V$  (MAX4352/MAX4353/MAX4354),  $R_L = 1k\Omega$  to  $V_{CC}/2$ ,  $C_L = 5pF$ ,  $T_A = +25^\circ C$ , unless otherwise noted.)



# Low-Cost, +3V/+5V, 620 $\mu$ A, 200MHz, Single-Supply Op Amps with Rail-to-Rail Outputs

## Pin Description

PIN			NAME	FUNCTION
MAX4452 MAX4352	MAX4453 MAX4353	MAX4454 MAX4354		
1	—	—	OUT	Amplifier Output
2	4	11	VEE	Negative Power Supply
3	—	—	IN+	Noninverting Amplifier Input
4	—	—	IN-	Inverting Amplifier Input
5	8	4	VCC	Positive Power Supply
—	1	1	OUTA	Amplifier A Output
—	2	2	INA-	Amplifier A Inverting Input
—	3	3	INA+	Amplifier A Noninverting Input
—	7	7	OUTB	Amplifier B Output
—	6	6	INB-	Amplifier B Inverting Input
—	5	5	INB+	Amplifier B Noninverting Input
—	—	8	OUTC	Amplifier C Output
—	—	9	INC-	Amplifier C Inverting Input
—	—	10	INC+	Amplifier C Noninverting Input
—	—	14	OUTD	Amplifier D Output
—	—	13	IND-	Amplifier D Inverting Input
—	—	12	IND+	Amplifier D Noninverting Input

# Low-Cost, +3V/+5V, 620µA, 200MHz, Single-Supply Op Amps with Rail-to-Rail Outputs

## Detailed Description

The MAX4452/MAX4352 single, MAX4453/MAX4353 dual, and MAX4454/MAX4354 quad, single-supply, rail-to-rail, voltage-feedback amplifiers achieve high slew rates and wide bandwidths while consuming only 620µA per amplifier. Excellent speed/power ratio makes them ideal for portable devices and high-frequency signal applications.

Internal feedback around the output stage ensures low open-loop output impedance, reducing gain sensitivity to load variations. This feedback also produces demand-driven current bias to the output transistors.

### Rail-to-Rail Outputs, Ground-Sensing Input

The input common-mode range extends from ( $V_{EE} - 0.1V$ ) to ( $V_{CC} - 1.5V$ ) with excellent common-mode rejection. Beyond this range, the amplifier output is a nonlinear function of the input, but does not undergo phase reversal or latchup.

The output swings to within 180mV of either power-supply rail with a 1kΩ load. The input ground-sensing and the rail-to-rail output substantially increase the dynamic range.

### Output Capacitive Loading and Stability

The MAX4452/MAX4453/MAX4454/MAX4352/MAX4353/MAX4354 are optimized for AC performance. They are not designed to drive highly reactive loads. Such loads decrease phase margin and may produce excessive ringing and oscillation. The use of an isolation resistor eliminates this problem (Figure 1). Figure 2 is a graph of the Optimal Isolation Resistor ( $R_{ISO}$ ) vs. Capacitive Load.

resistors, combined with 2pF of amplifier input capacitance and 1pF of PC board capacitance, causes a pole at 106MHz. Since this pole is within the amplifier bandwidth, it jeopardizes stability. Reducing the 1kΩ resistors to 100Ω extends the pole frequency to 1.06GHz, but could limit output swing by adding 200Ω in parallel with the amplifier's load resistor.

Note: For high-gain applications where output offset voltage is a consideration, choose  $R_S$  to be equal to the parallel combination of  $R_F$  and  $R_G$  (Figures 3a and 3b).

$$R_S = \frac{R_F \times R_G}{R_F + R_G}$$

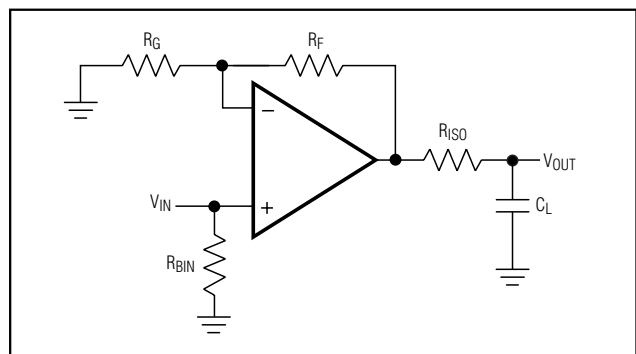


Figure 1. Driving a Capacitive Load Through an Isolation Resistor

## Applications Information

### Choosing Resistor Values

#### Unity-Gain Configuration

The MAX4452/MAX4453/MAX4454 are internally compensated for unity gain. When configured for unity gain, a 24Ω feedback resistor ( $R_F$ ) is recommended. This resistor improves AC response by reducing the Q of the parallel LC circuit formed by the parasitic feedback capacitance and inductance.

#### Inverting and Noninverting Configurations

Select the gain-setting feedback ( $R_F$ ) and input ( $R_G$ ) resistor values that best fit the application. Large resistor values increase voltage noise and interact with the amplifier's input and PC board capacitance. This can generate undesirable poles and zeros and decrease bandwidth or cause oscillations. For example, a noninverting gain-of-two configuration ( $R_F = R_G$ ) using 1kΩ

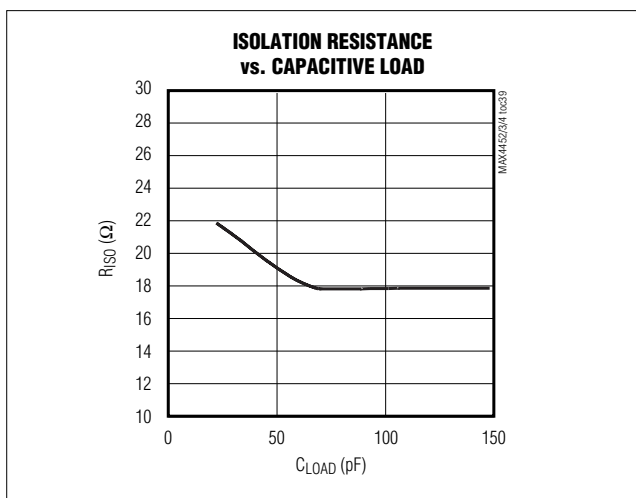


Figure 2. Optimal Isolation Resistor vs. Capacitive Load

# Low-Cost, +3V/+5V, 620µA, 200MHz, Single-Supply Op Amps with Rail-to-Rail Outputs

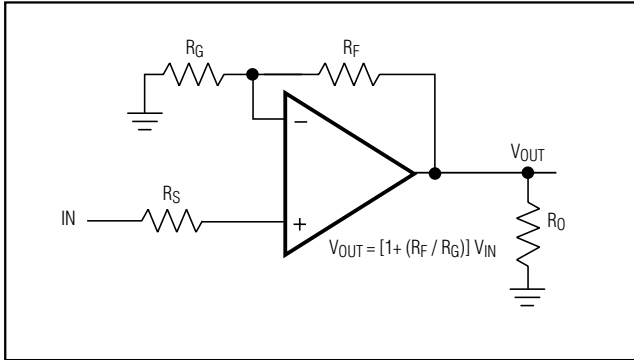


Figure 3a. Noninverting Gain Configuration

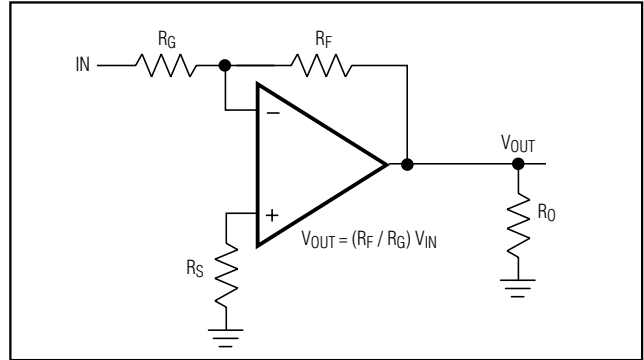


Figure 3b. Inverting Gain Configuration

### Active Filters

The low distortion and high bandwidth of the MAX4452/MAX4453/MAX4454 and MAX4352/MAX4353/MAX4354 make them ideal for use in active filter circuits. Figure 4 is a 15MHz lowpass multiple feedback active filter using the MAX4452.

$$\text{Gain} = \frac{-R2}{R1}$$

$$f_0 = \frac{1}{2\pi} \sqrt{\frac{1}{R2 \times R3 \times C1 \times C2}}$$

$$Q = \frac{C2}{\frac{\sqrt{C1 \times C2 \times R2 \times R3}}{\frac{1}{R1} + \frac{1}{R2} + \frac{1}{R3}}}$$

### ADC Input Buffer

Input buffer amplifiers can be a source of significant errors in high-speed ADC applications. The input buffer is usually required to rapidly charge and discharge the ADC's input, which is often capacitive. See *Output Capacitive Loading and Stability*. In addition, since a high-speed ADC's input impedance often changes very rapidly during the conversion cycle, measurement accuracy must be maintained using an amplifier with very low output impedance at high frequencies. The combination of high speed, fast slew rate, low noise, and a low and stable distortion over load makes the MAX4452/MAX4453/MAX4454/MAX4352/MAX4353/MAX4354 ideally suited for use as buffer amplifiers in high-speed ADC applications.

### Layout and Power-Supply Bypassing

These amplifiers operate from a single +2.7V to +5.25V power supply. Bypass  $V_{CC}$  to ground with a 0.1µF capacitor as close to the pin as possible.

Maxim recommends using microstrip and stripline techniques to obtain full bandwidth. Design the PC board for a frequency greater than 1GHz to prevent amplifier performance degradation due to board parasitics. Avoid large parasitic capacitance at inputs and outputs. Whether or not a constant-impedance board is used, observe the following guidelines:

- Do not use wirewrap boards due to their high inductance.
- Do not use IC sockets because of the increased parasitic capacitance and inductance.

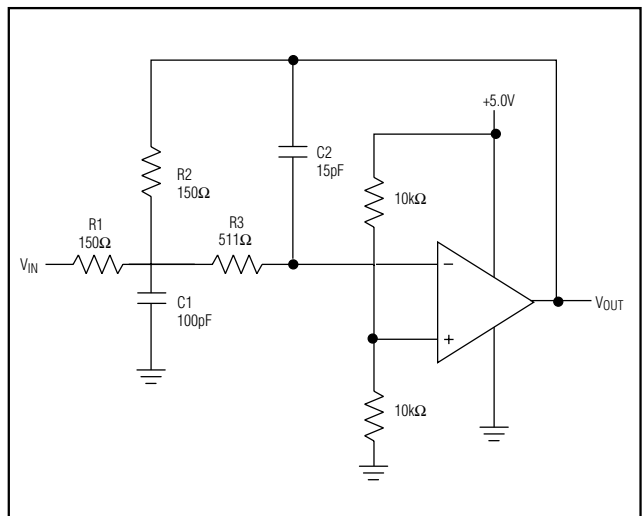


Figure 4. Multiple-Feedback Lowpass Filter

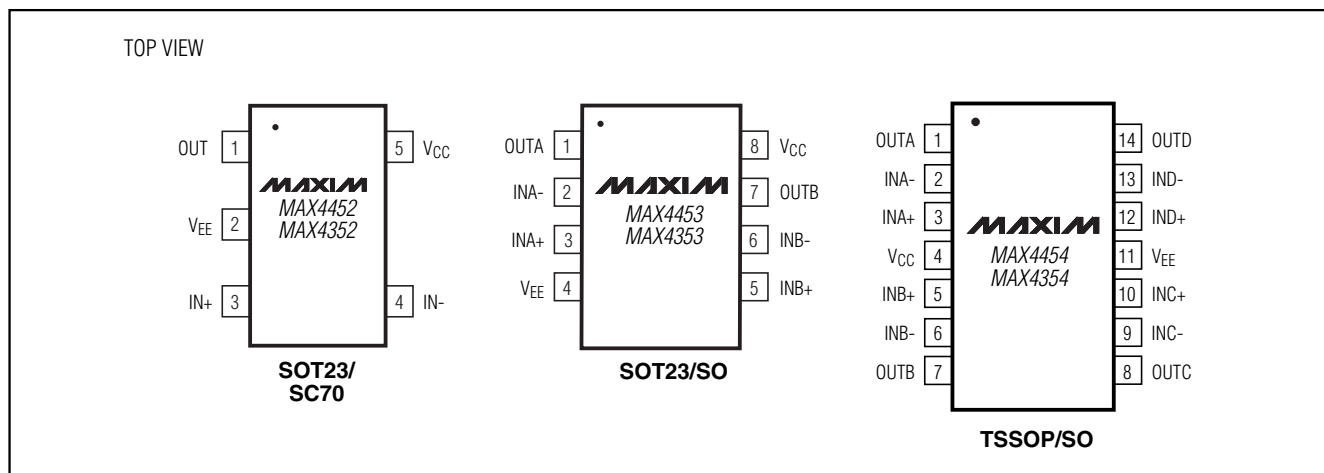
# Low-Cost, +3V/+5V, 620µA, 200MHz, Single-Supply Op Amps with Rail-to-Rail Outputs

- Use surface-mount instead of through-hole components for better high-frequency performance.
- Use a PC board with at least two layers; it should be as free from voids as possible.
- Keep signal lines as short and as straight as possible. Do not make 90° turns; round all corners.

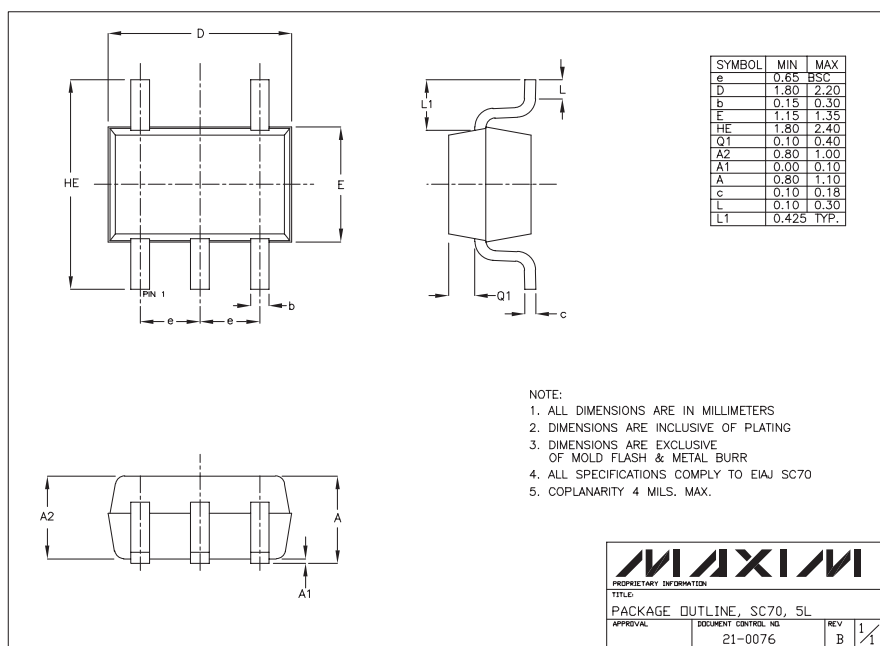
## Chip Information

MAX4452/MAX4352 TRANSISTOR COUNT: 97  
 MAX4453/MAX4353 TRANSISTOR COUNT: 192  
 MAX4454/MAX4354 TRANSISTOR COUNT: 378  
 PROCESS: Bipolar

## Pin Configurations

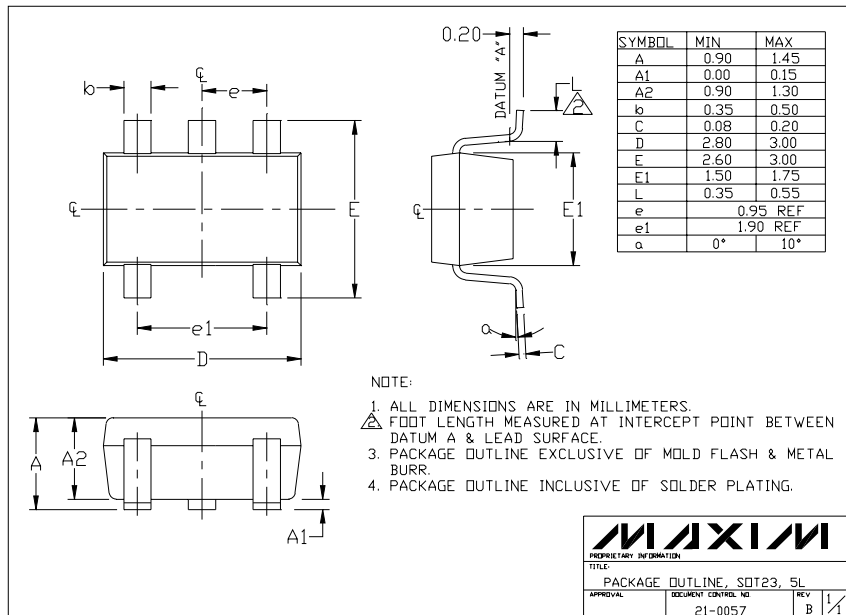
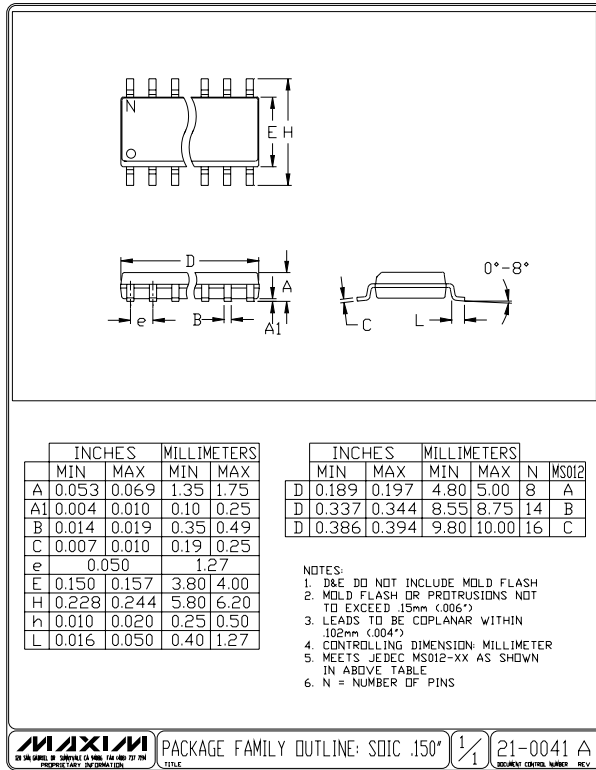


## Package Information



# Low-Cost, +3V/+5V, 620µA, 200MHz, Single-Supply Op Amps with Rail-to-Rail Outputs

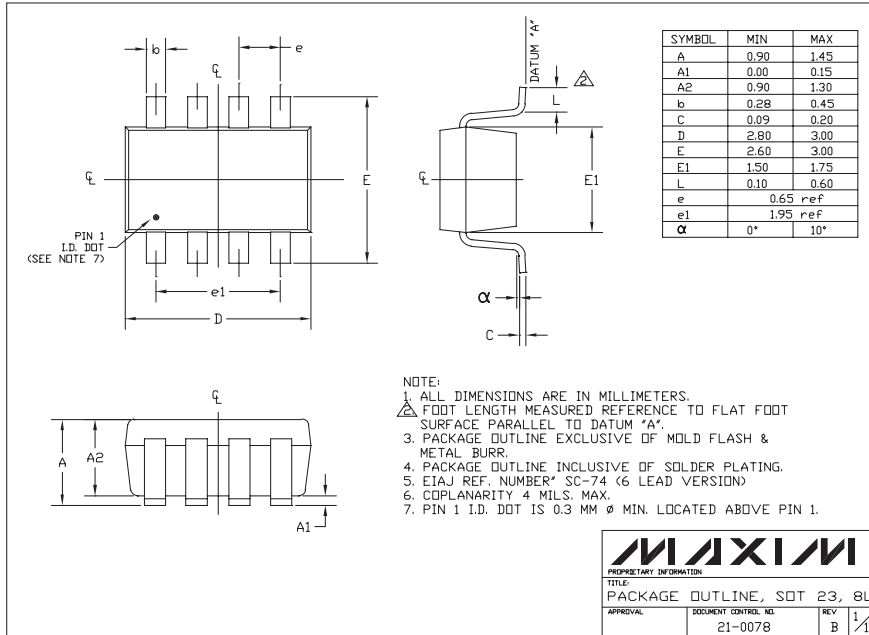
## Package Information (continued)



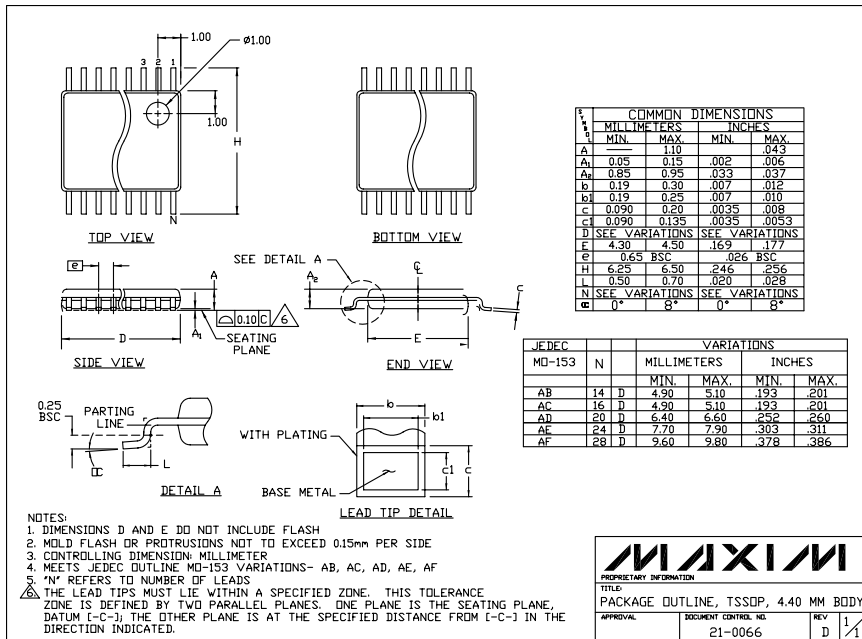
# Low-Cost, +3V/+5V, 620 $\mu$ A, 200MHz, Single-Supply Op Amps with Rail-to-Rail Outputs

## Package Information (continued)

MAX4452/MAX4453/MAX4454/MAX4352/MAX4353/MAX4354



SOT23, 8LEPS



TSSOP, NO PADS EFP

Maxim cannot assume responsibility for use of any circuitry other than circuitry entirely embodied in a Maxim product. No circuit patent licenses are implied. Maxim reserves the right to change the circuitry and specifications without notice at any time.

15 **Maxim Integrated Products, 120 San Gabriel Drive, Sunnyvale, CA 94086 408-737-7600**