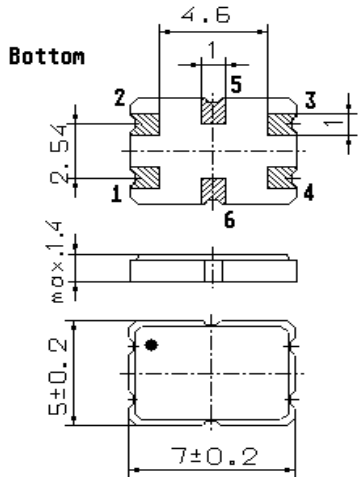


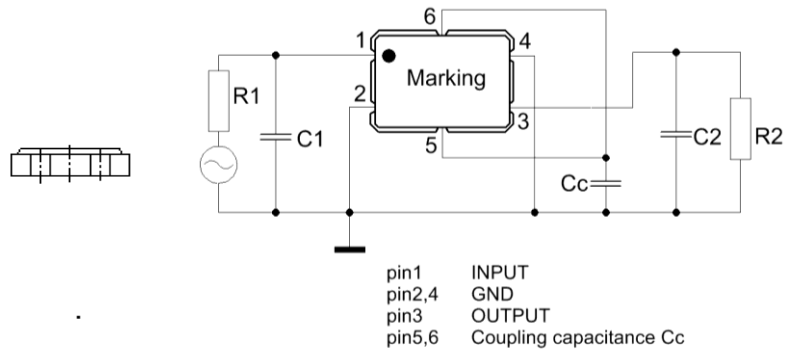
Specification for monolithic crystal filter: **MQF 73.3 - 2500/02**

1. General

1.1. Package:

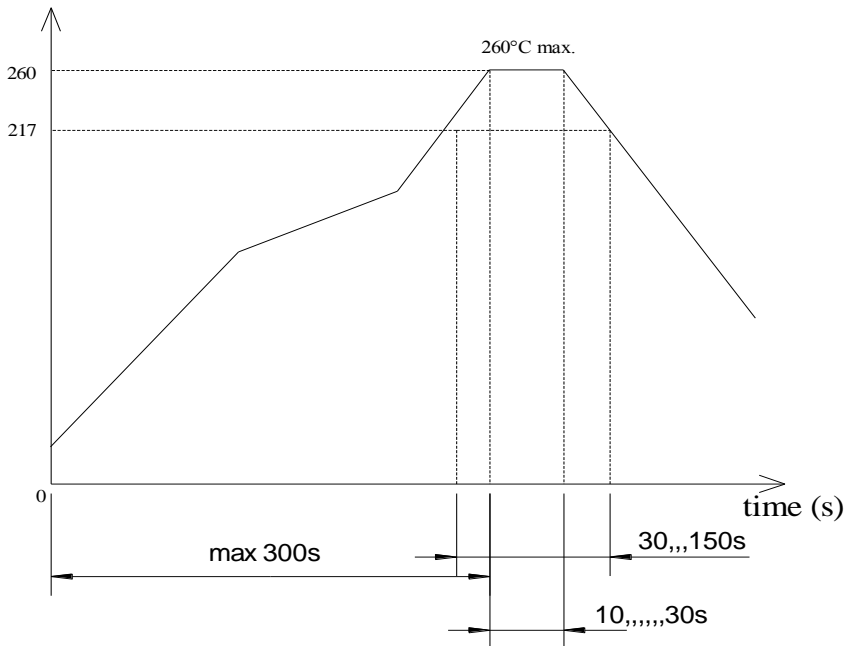


**GS 2**



- |                                   |                  |
|-----------------------------------|------------------|
| 1.2. Type name:                   | MQF 73.3-2500/02 |
| 1.3. Number of poles:             | 4                |
| 1.4. Operating temperature range: | -30°C to +85°C   |
| 1.5. Storage temperature range:   | -40°C to +90°C   |

temperature (°C)



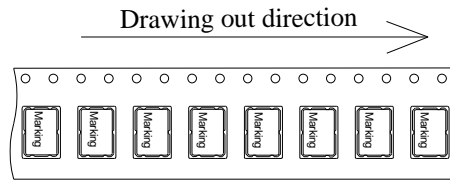
Reflow soldering: three times max.

## 2. Electric values

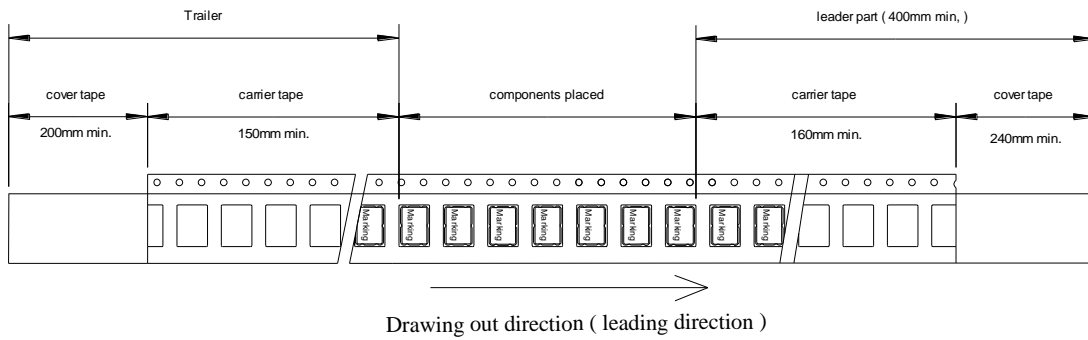
- 2.1. Nominal centre frequency  $f_0$ : 73.30 MHz  
2.1.1 Centre frequency  $f_c$  at +25°C 73.30 MHz  $\pm$  1.5 kHz
- 2.2. **Pass band**
- 2.2.1. Bandwidth between 3 dB - frequencies:  $> f_c \pm 12.5$  kHz  
2.2.2. Ripple in pass band:  $< 1.0$  dB peak to peak  
2.2.3. Insertion loss:  $< 6.0$  dB  
( measured on smallest attenuation in pass band )  
2.2.4. Differential group delay at  $f_c \pm 9$  kHz  $< 16$   $\mu$ s
- 2.3. **Stop band**
- 2.3.1.  $f_c \pm 25$  kHz  $> 15$  dB  
2.3.2.  $f_c \pm 50$  kHz  $> 40$  dB  
2.3.3. Alternate Attenuation at  $f_c \pm 1.0$  MHz  $> 70$  dB (except spurious)
- 2.4. Terminating impedance R//C ( input and output ): 800  $\Omega$  // 1.5 pF  
2.4.1. Coupling capacitance  $C_c$ : 4.0 pF
- 2.5. Maximum input power level  
working: -10 dBm  
non-damaged: 0 dBm
- 2.6. Out band Intermodulation ( IP3  $> +20$  dBm )  
- test tones:  $f_0 \pm 25$  kHz /  $f_0 \pm 50$  kHz  
- Input power level: -20 dBm  
- 3rd order intermodulation products at  $f_0$ :  $> 80$  dB ( down from either of the -20 dBm test tones )
3. Marking on the case: • M73325A  
VI yyww
4. Environment conditions: Corresponding to Vectron standard CF001
5. Filters are Pb-free and 2002 /95 / EC RoHS compliant

6. Packing

maximum 1000 pcs. / reel

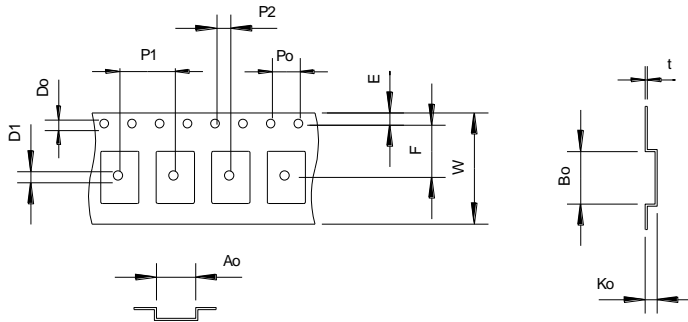


Tape dimension ( mm )



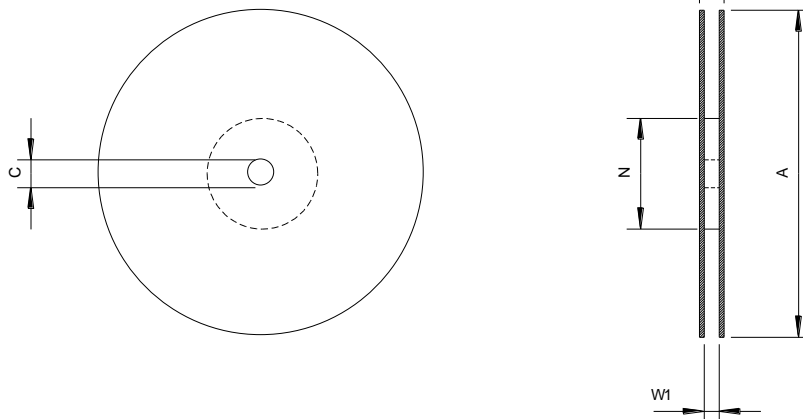
Tape ( all dimensions in mm )

- W: 16.0 ± 0.1
- Po: 4.0 ± 0.1
- P1: 8.0 ± 0.1
- P2: 2.0 ± 0.1
- Do: 1.5 + 0.1 / - 0
- D1: 1.6 + 0.1 / - 0
- E: 1.75 ± 0.1
- F: 7.5 ± 0.1
- Ko: 1.7 ± 0.1
- Ao: 5.6 ± 0.1
- Bo: 7.6 ± 0.1
- t: 0.3 ± 0.05



Reel ( all dimension in mm )

- A:  $\varnothing 178 \pm 2$
- C:  $\varnothing 13 \pm 0.5$
- N:  $\varnothing 60 \pm 1$
- W1: 17.5 ± 1.5
- W2: 21.5 ± 1.5



Edited by: \_\_\_\_\_ date: \_\_\_\_\_ name: \_\_\_\_\_