

# MATSUSHITA Compressor

## MODEL# QA91K22GAU6

Single Phase  
R-134a

115 V  
60 Hz

Voltage Range . . . . . 103 Volts to 127 Volts @ 60 Hz  
Application . . . . . High Back Pressure  
Compressor Cooling . . . . Fan Cooling

Refrigerant Control . . . Capillary Tube  
Evaporator  
Temp. Range . . . . . 23°F to 59°F / -5°C to 15°C

### Rated Performance Data

Capacity . . . . . 3,175 Btu/h  $\pm 10\%$  \*  
E.E.R. . . . . 7.40 Btu/Wh  $\pm 10\%$  \*  
Current . . . . . 4.85 Amps \*

Nominal Motor Data      Motor Input . . . . . 429 Watts\*  
   Rated Current . . . 3.99 Amps  
   Type . . . . . RSIR, PTC relay

Locked Rotor . . . . . 24.2 Amps  
Start Current . . . . . 31.3 Amps  
Coil Resistances          Run . . . . 1.41 Ohms  
   @ 68°F (20°C)          Start . . . 6.90 Ohms

### \*Test Conditions for Performance Specifications

Test Oil . . . . . Freol  $\alpha$  22  
Shell Temp . . . . . 170.0°F / 76.0°C  
Condensing Temp . . . . 130.0°F / 54.4°C  
Evaporating Temp . . . . 45.0°F / 7.2°C  
Ambient Temp . . . . . 95.0°F / 35.0°C  
Gas Superheat . . . . . 95.0°F / 35.0°C  
Liquid Sub-Cooling . . . 115.0°F / 46.1°C

### Electrical Accessories†

Overload Protector  
Nominal Operating Characteristics

Model Name                      MSP24ALZ  
Manufacturer                    Texas Instruments  
Temperature To . . . . . Open: 248°F  $\pm 9^\circ\text{F}$  / 120°C  $\pm 5^\circ\text{C}$   
   Close: 142°F  $\pm 20^\circ\text{F}$  / 61°C  $\pm 11^\circ\text{C}$   
Trip Current . . . . . @ 158°F (70°C) 6.7 Amps  $\pm 7.5\%$   
   @ 77°F (25°C) 17.5 Amps @ 18 sec. max.

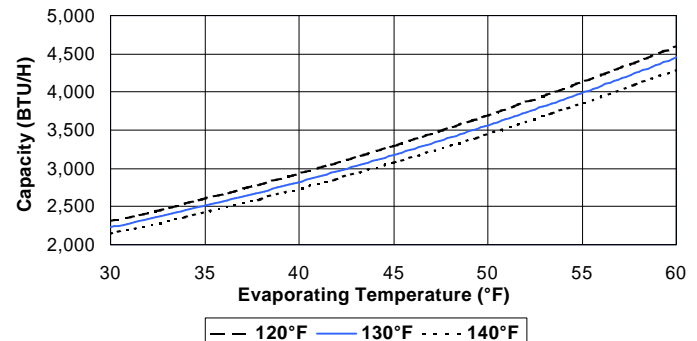
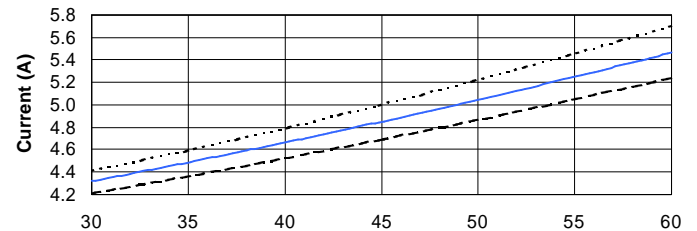
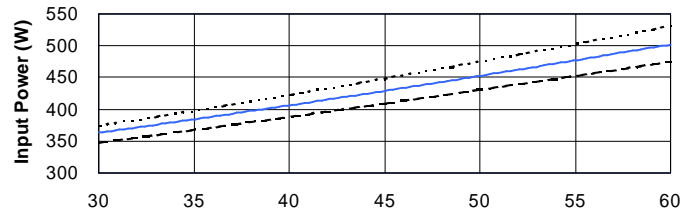
P.T.C. Starting Device  
Nominal Operating Characteristics

Model Name	MM8-5CDP4M7	PTH7M4R7MC1	
Manufacturer	Matsushita	Murata Mfg.	
Base resistance			
@ 77°F(25°C) $\pm 20\%$	4.7	4.7	Ohms
Power Consumption (max)	4.0	3.0	Watts
Operation time	1.5 to 3.5	0.7 to 2.2	seconds
Recovery time (max)	85	70	seconds

Run Capacitor                      —  $\mu\text{F}$  — V (min.)

†Although these accessories are listed by UL/CSA for use with this compressor, Matsushita assumes no responsibility whatsoever for these or any other components sourced by the refrigeration system manufacturer from third parties.

### Performance Curves



### 9 - Point Data

Condensing Temp.	Rating	Evaporating Temp.		
		+30°F	+45°F	+59°F
140°F	Btu/h	2,141	3,073	4,196
	Watts	374	448	525
	Amps	4.41	5.00	5.65
	E.E.R.	5.72	6.86	7.99
130°F	Btu/h	2,229	3,175	4,357
	Watts	363	429	497
	Amps	4.32	4.85	5.42
	E.E.R.	6.14	7.40	8.77
120°F	Btu/h	2,305	3,295	4,500
	Watts	347	409	470
	Amps	4.21	4.69	5.20
	E.E.R.	6.64	8.06	9.57



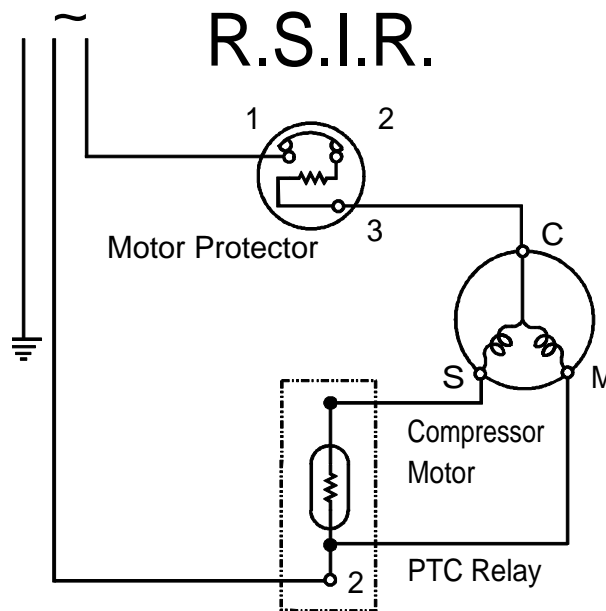
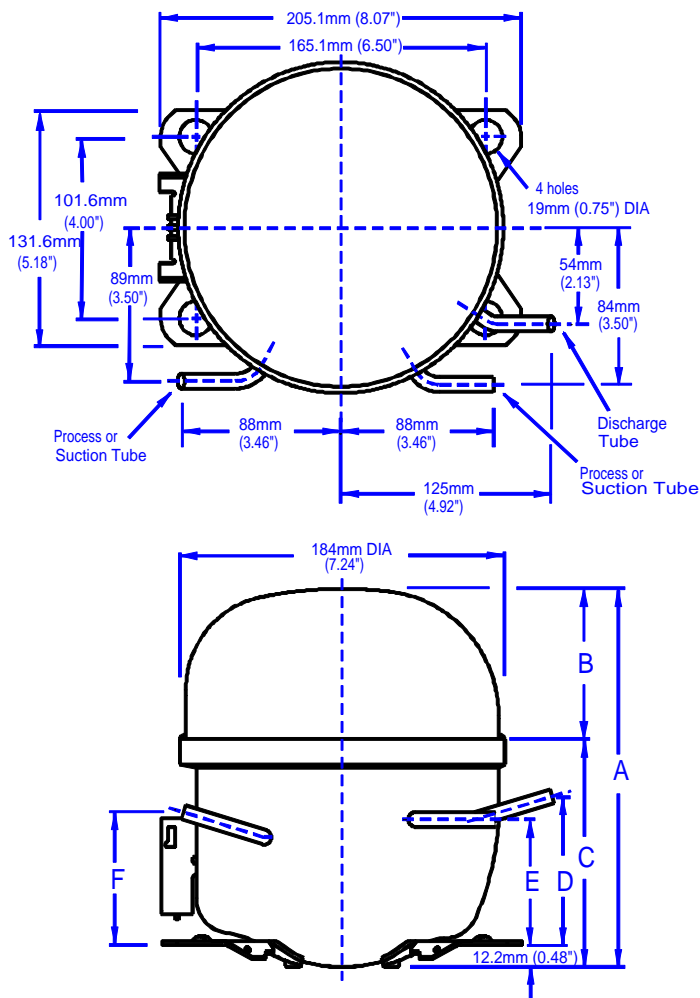
Panasonic Industrial Company  
Refrigeration Products Department  
Tel: 201 - 392 - 4249  
Fax: 201 - 392 - 4315

# MATSUSHITA Compressor

## MODEL# QA91K22GAU6

Single Phase  
R-134a

115 V  
60 Hz



### Dimensions\*

	mm	inches
A	208.6	8.21
B	92.8	3.65
C	115.8	4.56
D	77.0	3.03
E	62.2	2.45
F	77.0	3.03

\* All dimensions are for reference only

This document sets forth certain operational parameters and conditions for operation of this product. If this product is operated outside of the parameters and conditions stated herein, buyer assumes sole and full responsibility and shall indemnify seller with respect to all product failures and all consequences thereof. Operation of the product outside of the parameters and conditions specified herein shall serve to invalidate all seller warranties, if any, with respect to the product. This document is for reference only. For specifications, please contact Panasonic's engineering department.

Tubes	Tube O.D.	Wall	Material
Suction	0.39 in. / 10 mm	0.035 in. / 0.9 mm	Copper
Process	0.39 in. / 10 mm	0.035 in. / 0.9 mm	Copper
Discharge	0.33 in. / 8.3 mm	0.035 in. / 0.9 mm	Copper

U.L. File # . . . . . SA 4615  
 C.S.A. File #'s . . . . . LR - 34080  
 LR - 36593  
 LR - 100738

General Data	Oil Charge	Oil Charge
Oil Charge	250 cc ± 5 cc / 15.3 cu.in. ± 0.3 cu.in.	
Net Weight With Oil	21.4 lbs, 9.7 kg	
Approved Oils	FREOL α 22	
Residual Moisture	120 mg max.	
Impurities	10 mg max.	
Displacement	9.07 cc. / 0.553 cu. in.	

# Panasonic®

Panasonic Industrial Company  
 Refrigeration Products Department  
 Tel: 201 - 392 - 4249  
 Fax: 201 - 392 - 4315

Rev#1-5/9