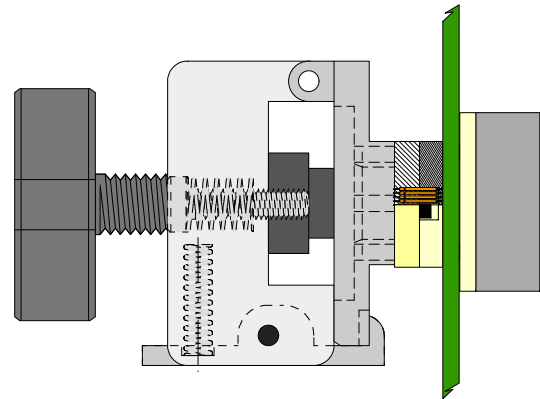
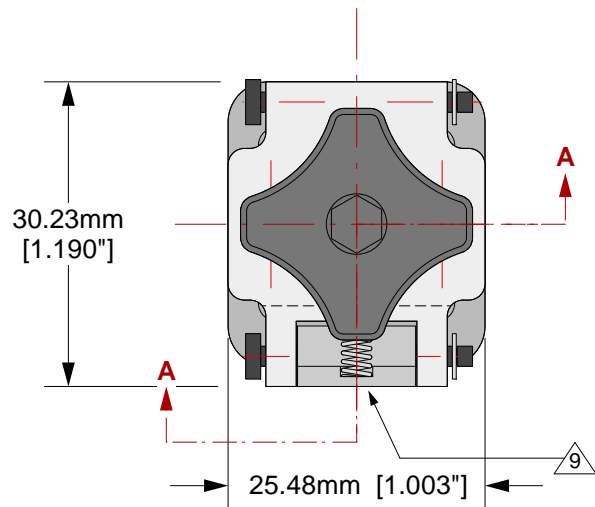
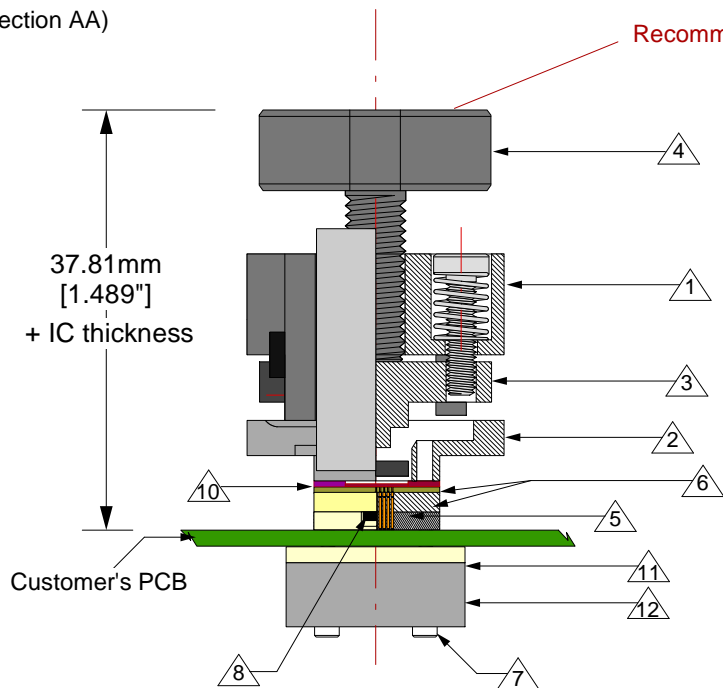


Top View



Side View
(Section AA)




Features

- Directly mounts to target PCB (needs tooling holes) with hardware
- Minimum real estate required
- Compression plate distributes forces evenly
- Clamshell lid

Materials:

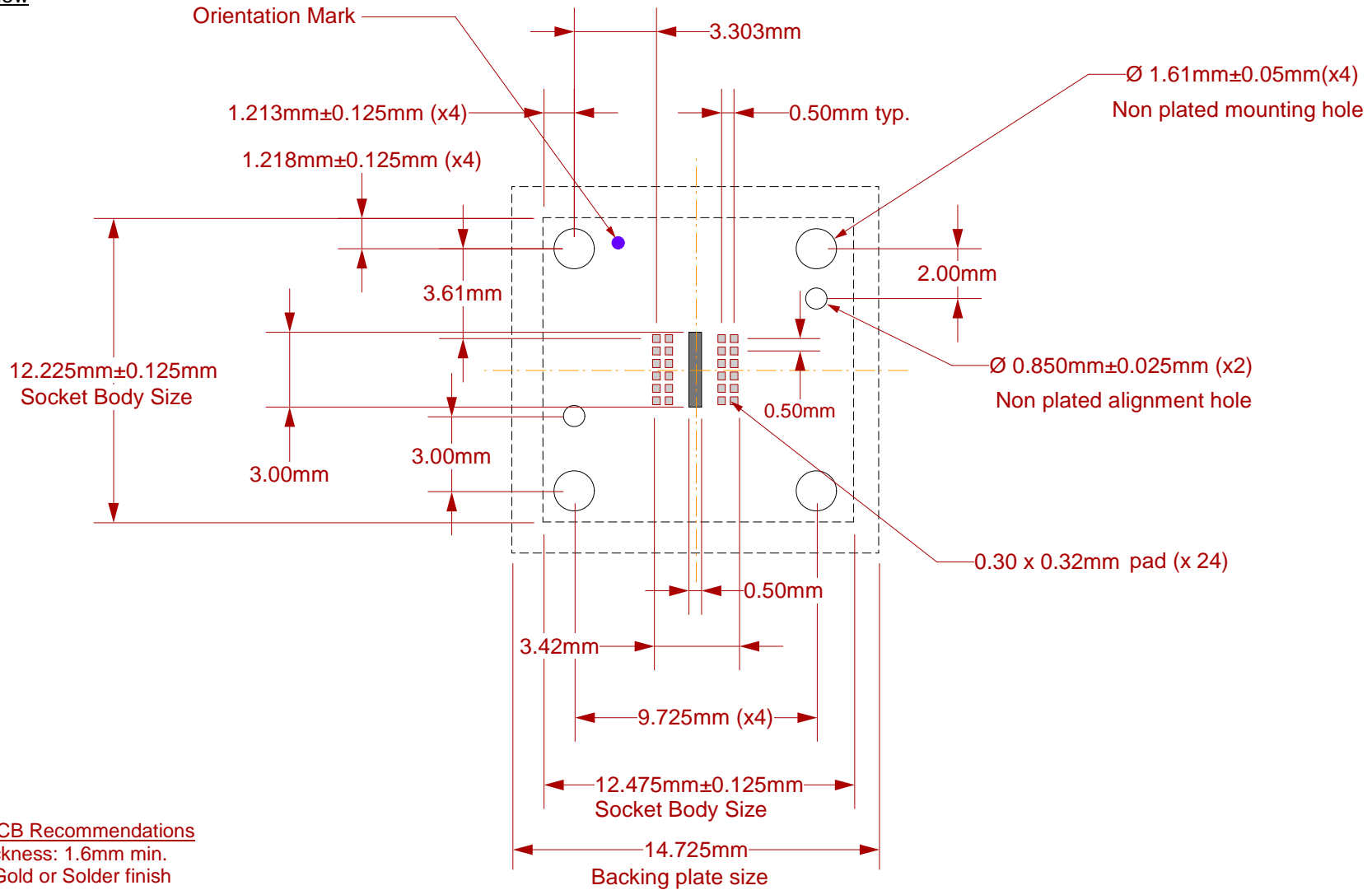
- 1 Clam Shell Lid: Black anodized Aluminum. Height = 16.5 mm.
- 2 Socket Base: Black anodized Aluminum. Height = 6 mm.
- 3 Compression Plate: Black anodized Aluminum. Thickness = 8.5 mm.
- 4 Compression Screw: Clear anodized Aluminum. Height = 25 mm, Fluted Knob
- Pogo Pin:
- 5 Plungers - Hardened Steel/ Gold plated
Barrel - Copper Alloy/ Gold plated
Spring - Stainless Steel/ Gold wire
- 6 Pogo Pin Guides: Torton or Peek
- Socket Base Screw: Socket Head Cap Screw, alloy steel with black oxide finish, 0-80 Thread, 3/4" long.
- 7 Pogo Pin Guide Screw: Pan head phillips, 18-8 SS, 0-80 thread, 3/16" long.
- 8 Pogo Pin Guide Screw: Pan head phillips, 18-8 SS, 0-80 thread, 3/16" long.
- 9 Latch: Black anodized Aluminum.
- 10 IC guide: Ultem 1000
- 11 Insulation Plate : FR4 0.0625" (1.59 mm)
- 12 Backing Plate : Black anodized Aluminum

All Tolerances: ±0.125mm (unless stated otherwise). Materials and specifications are subject to change without notice.

	SSK-QFN-7000 Drawing	Status: Released	Scale: 1.25:1	Rev: A
	© 2010 IRONWOOD ELECTRONICS, INC. 11351 Rupp Drive, Suite 400, Burnsville, MN 55337 Tele: (952) 229-8200 www.ironwoodelectronics.com	Drawing: M.A. Fedde	Date: 11/10/10	
		File: SSK-QFN-7000 Dwg	Modified:	

Ironwood Package code: QFN12H

Recommended PCB Layout
Top View




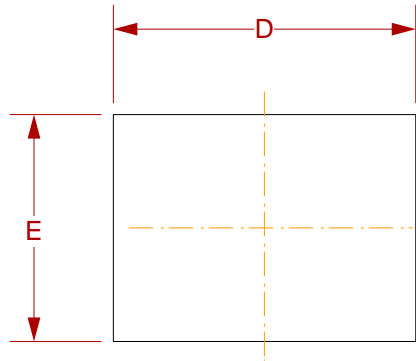
Target PCB Recommendations

Total thickness: 1.6mm min.
Plating: Gold or Solder finish
PCB Pad height: Same or higher than solder mask

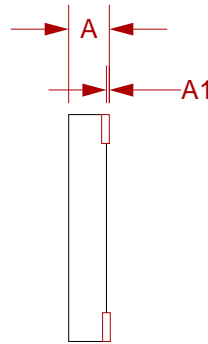
Recommended PCB Layout Tolerances:
±0.025mm [±0.001"] unless stated otherwise.

All dimensions are in mm.

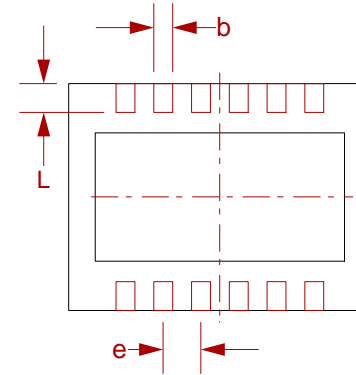
	<p>SSK-QFN-7000 Drawing</p> <p>© 2010 IRONWOOD ELECTRONICS, INC. 11351 Rupp Drive, Suite 400, Burnsville, MN 55337 Tele: (952) 229-8200 www.ironwoodelectronics.com</p>	<p>Status: Released</p>	<p>Scale: 4:1</p>	<p>Rev: A</p>
	<p>Drawing: M.A. Fedde</p>	<p>Date: 11/10/10</p>		
	<p>File: SSK-QFN-7000 Dwg</p>	<p>Modified:</p>		



Top View



Side View




Bottom View

DIM	MIN	MAX
A		0.80
A1		0.05
b		0.30
L		0.43
D	4.00 BSC	
E	3.00 BSC	
e	0.5 BSC	

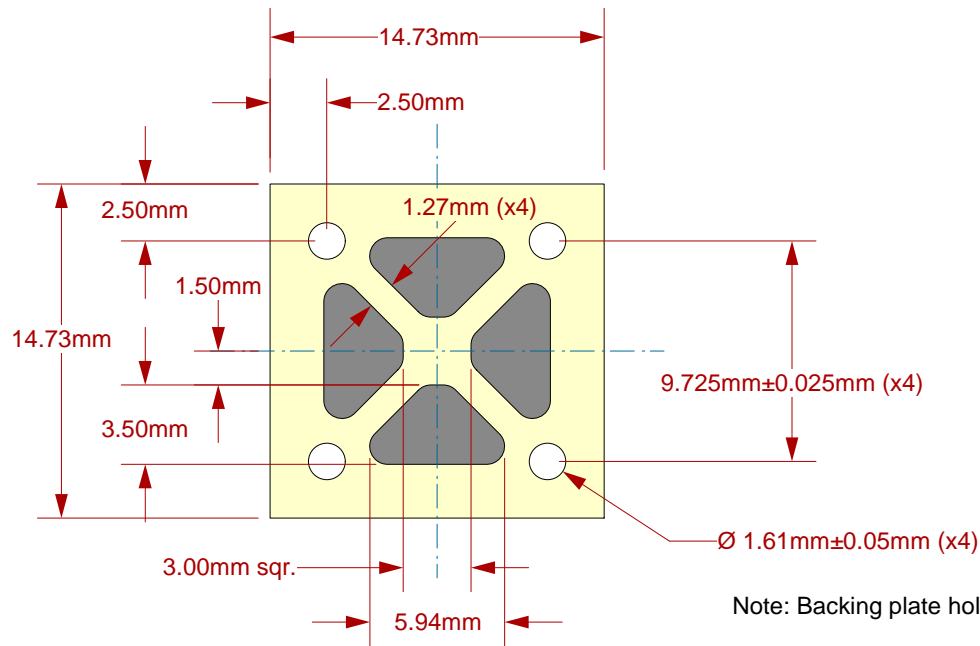
12 Leads

Dimensions are in millimeters.

Interpret dimensions and tolerances per ASME Y14.5M-1994.

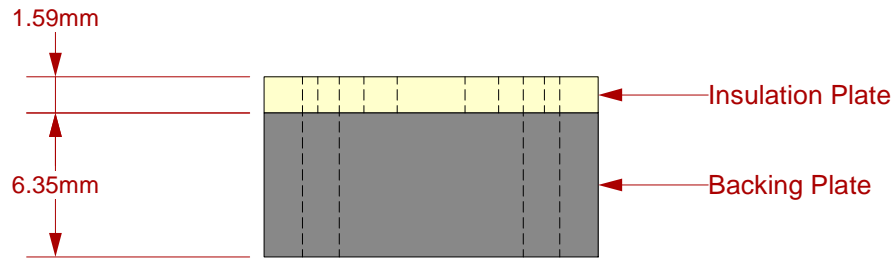
	SSK-QFN-7000 Drawing		Status: Released	Scale:	Rev: A
	© 2010 IRONWOOD ELECTRONICS, INC. 11351 Rupp Drive, Suite 400, Burnsville, MN 55337 Tele: (952) 229-8200 www.ironwoodelectronics.com		Drawing: M.A. Fedde		Date: 11/10/10
			File: SSK-QFN-7000 Dwg	Modified:	

Top View




Note: Backing plate holes are tapped to accept 0-80 screws.

Side View



Description: Insulation Plate and Backing Plate

	<p>SSK-QFN-7000 Drawing</p> <p>© 2010 IRONWOOD ELECTRONICS, INC. 11351 Rupp Drive, Suite 400, Burnsville, MN 55337 Tele: (952) 229-8200 www.ironwoodelectronics.com</p>	Status: Released	Scale:	Rev: A
		Drawing: M.A. Fedde	Date: 9/8/10	
		File: SSK-QFN-7000 Dwg	Modified:	

All dimensions are in mm.
 All tolerances are +/- 0.125mm.
 (Unless stated otherwise)