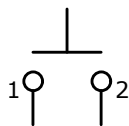
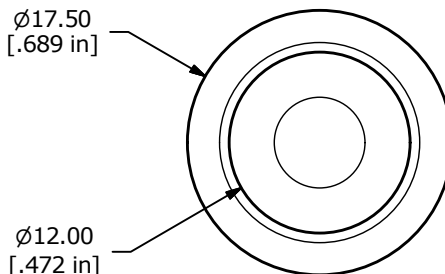


PANEL MOUNTING



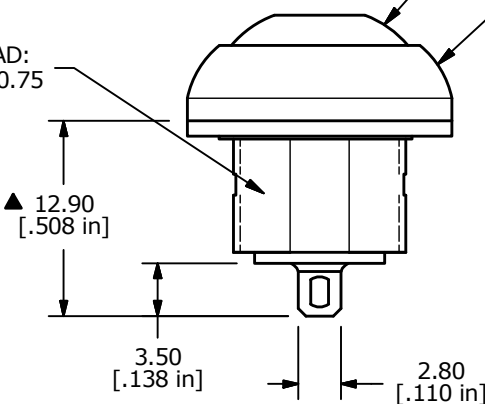
▲ **CIRCUIT: SPST OFF-(ON) MOMENTARY**



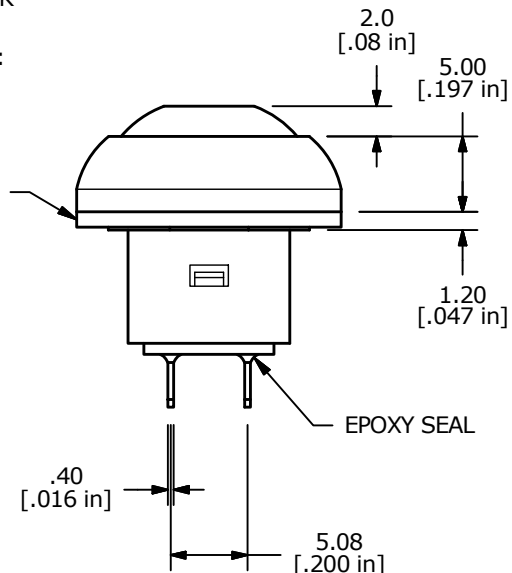
▲ **ACTUATOR: COLOR BLACK**

▲ **HOUSING: BLACK**

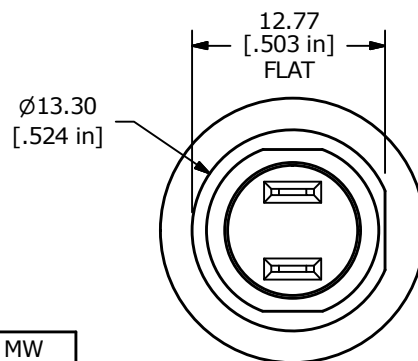
▲ **THREAD: M12 X 0.75**



1.0 (.04) THICK RUBBER SEAL



EPOXY SEAL



- NOTE:**
1. ALL DIMENSIONS IN MM [INCH]
 2. GENERAL TOLERANCE: X.X = ±0.4
X.XX = ±0.25
 3. TERMINAL NUMBERS FOR REF ONLY
 4. CIRCUIT: SPST OFF-MOMENTARY ON
 5. CONTACT MATERIAL: Gold over SILVER
 - ▲ 6. RATING: 125mA @ 125 VAC
100mA @ 50 VDC
 7. ELECTRIC LIFE: 500,000 CYCLES AT FULL LOAD
 8. CONTACT RESISTANCE: 50 milli-OHM max. (INITIAL)
 9. INSULATION RESISTANCE: 1,000 MEGA-OHM min. @ 500VDC
 10. DIELECTRIC STRENGTH: 1,000 VAC rms.
 11. OPERATING FORCE: 350 gf +/- 150 gf
 12. OPERATING TEMPERATURE: -30°C to +85°C
 13. CONTACT BOUNCE: 10ms MAX.
 - ▲ 14. TRAVEL: 1.5mm
 15. PANEL THICKNESS RANGE: 1.5 - 4.0mm
 16. ▲ DENOTES CRITICAL PARAMETER.
 17. 2011/65/EU (ROHS) COMPLIANT
 18. MAX MOUNTING TORQUE: 1.5 Nm APPLIED TO THE NUT
 - ▲ 19. HARDWARE INCLUDED:
 1. T081101 LOCK WASHER (1)
 2. T081102HEX NUT (1)
 3. T081100 RUBBER WASHER (1)
 20. SEAL RATING: IP67 AT THE FRONT PANEL

E	23236	drawing update	3/8/18	MW
D	21593	CHANGE NOTE 20: IP67 WAS IP65	9/24/14	EBP
C	19473	CORRECT NOTE & DIM / DWG CLEAN-UP	11/24/10	BMA
B	19258	MISC. DRAWING UPDATES	10/25/10	BMA
A	17904	New Release	12/20/07	rc
REV	PCR NO	DESCRIPTION	DATE	BY



TITLE RP8100B2M1CEBLKBLKNIL				
SCALE	DATE	DR	DWG	REV
2 : 1	12/13/2007	rc	ST081000	E