

High Power

Termination N-Type

50Ω Up to 500 Watt 0.7 to 10 GHz

TERM-500W-14N+



CASE STYLE: MD1561

Connector Model
N-Type-Fem TERM-500W-14N+

+RoHS Compliant

The +Suffix identifies RoHS Compliance. See our web site for RoHS Compliance methodologies and qualifications

Maximum Ratings

Operating Temperature	-10°C to 50°C
Storage Temperature	-10°C to 70°C
DC Supply voltage	+24±2V
Current (for fan)	310mA

Permanent damage may occur if any of these limits are exceeded.

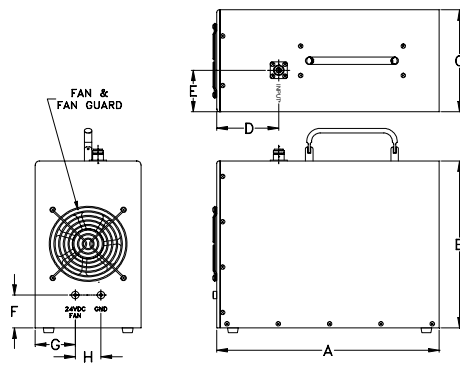
Features

- wideband coverage, 0.7 to 10 GHz
- useable from 0.5 to 18 GHz (return loss, 16 dB typ. at 18 GHz)
- rugged construction

Applications

- cellular communications
- satellite communications
- defense communications
- test set-up

Outline Drawing



Electrical Specifications at 25°C

Parameter	Condition (GHz)	Min.	Typ.	Max.	Unit
Frequency Range		0.7	—	10	GHz
Impedance			50		Ohms
Return Loss	0.7	—	17	—	dB
	1.0	16	20	—	
	2.0	18	23	—	
	4.0	18	25	—	
	6.0	18	25	—	
Input Power ¹	10.0	17	23	—	W
	0.7	—	380	—	
	1.0	—	500	—	
	2.0	—	395	—	
	4.0	—	280	—	
	6.0	—	225	—	
	10.0	—	175	—	

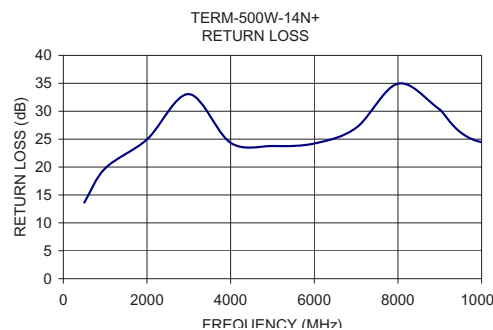
1. Fan must be kept ON when input power is over 20 watts. Do not obstruct the air flow at the rear of the unit.

Outline Dimensions (inch/mm)

A	B	C	D	E
13	10.1	6.2	3.62	2.52
330.20	256.54	157.48	91.95	64.01
F	G	H		w
2.00	2.34	1.50		grams
50.80	59.44	38.10		1405C

Typical Performance Data

Frequency (MHz)	Return Loss (dB)
500	13.63
700	16.70
1000	19.78
2000	24.95
3000	33.07
4000	24.34
5000	23.77
6000	24.22
7000	27.02
8000	34.93
9000	30.30
10000	24.46
18000	16.81



Notes

- A. Performance and quality attributes and conditions not expressly stated in this specification document are intended to be excluded and do not form a part of this specification document.
 B. Electrical specifications and performance data contained in this specification document are based on Mini-Circuit's applicable established test performance criteria and measurement instructions.
 C. The parts covered by this specification document are subject to Mini-Circuits standard limited warranty and terms and conditions (collectively, "Standard Terms"); Purchasers of this part are entitled to the rights and benefits contained therein. For a full statement of the Standard Terms and the exclusive rights and remedies thereunder, please visit Mini-Circuits' website at www.minicircuits.com/MCLStore/terms.jsp

