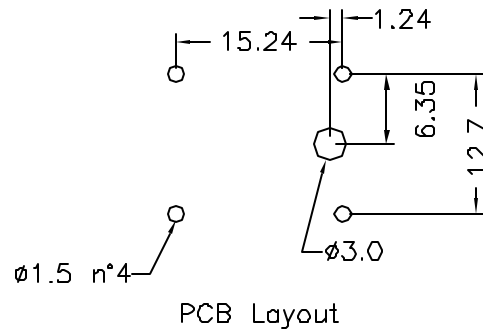
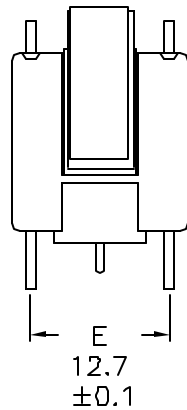
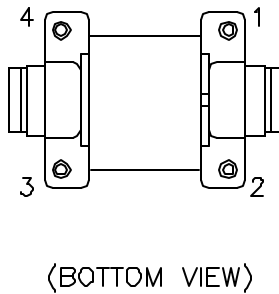
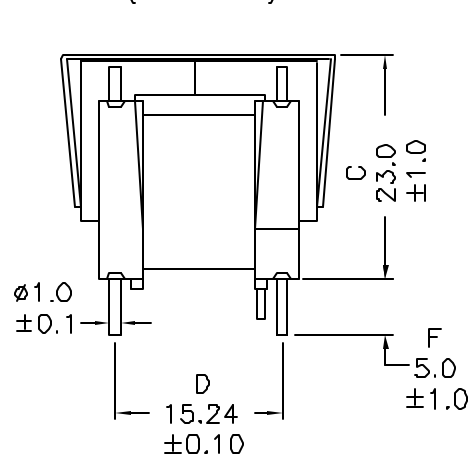
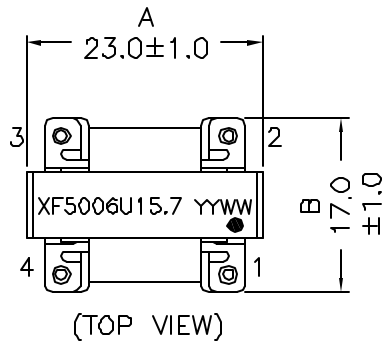
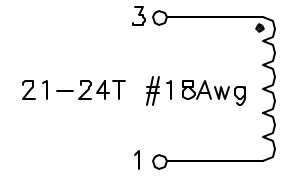


1. Mechanical Dimensions:



2. Schematic:



3. Electrical Specification: @25°C

- OCL: 0.50mH Typ @1KHz 0.25V
- Q: tbd Min @1KHz 0.25V
- Rated Current: 5.0Arms Typ
- DCR: 0.30 Ohms Typ
- Hipot: 500Vac Wdg to Core

Notes:

1. Solderability: Leads shall meet MIL-STD-202G, Method 208H for solderability.
2. Flammability: UL94V-0
3. ASTM oxygen index: > 28%
4. Insulation System: Class F 155°C. UL file E151556
5. Operating Temperature Range: All listed parameters are to be within tolerance from -40°C to +105°C
6. Storage Temperature Range: -55°C to +125°C
7. Aqueous wash compatible
8. Electrical and mechanical specifications 100% tested
9. RoHS Compliant Component

XFMRs Inc www.XFMRS.com	Title: Power Inductor	
	P/N: XF5006-00U15.7 UNLESS OTHERWISE SPECIFIED TOLERANCES: .xx ±0.30 Dimensions in MM	REV. A Mar-19-10
SHEET 1 OF 1	CHK.	Mei Chen
	APP.	YK Liao
		Joe Huff

DOC, REV: A/-