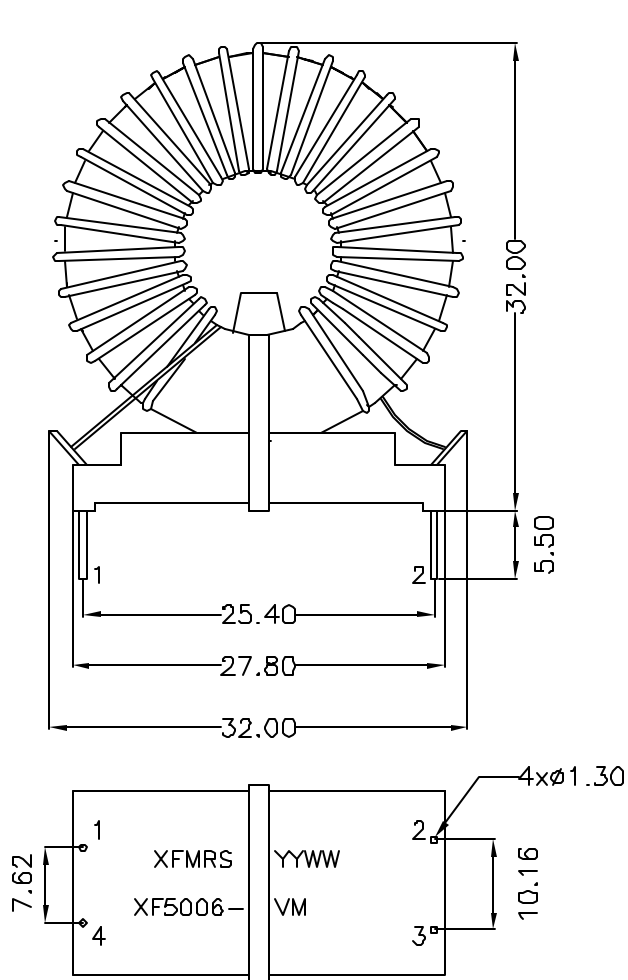


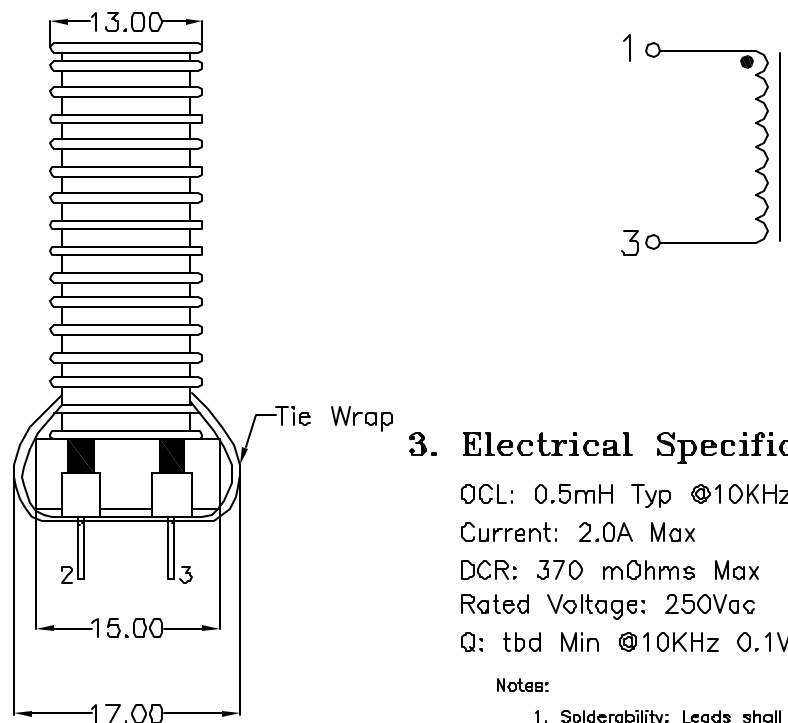
1. Mechanical Dimensions:



(BOTTOM VIEW)

DOC REV: A/1

2. Schematic:



3. Electrical Specifications: @25°C

QCL: 0.5mH Typ @10KHz 0.1V
 Current: 2.0A Max
 DCR: 370 mOhms Max
 Rated Voltage: 250Vac
 Q: tbd Min @10KHz 0.1V

Notes:

1. Solderability: Leads shall meet MIL-STD-202, Method 208D for solderability.
2. Flammability: UL94V-0
3. ASTM oxygen index: > 28%
4. Insulation System: Class F 155°C, UL file E151556
5. Operating Temperature Range: All listed parameters are to be within tolerance from -40°C to +85°C
6. Storage Temperature Range: -55°C to +125°C
7. Aqueous wash compatible
8. SMD Lead Coplanarity: ±0.004"(0.102mm)
9. Moisture Sensitivity: Level 3
10. Electrical and mechanical specifications 100% tested
11. RoHS Compliant Component

XFMRs Inc www.XFMRs.com		Title: INDUCTOR	
UNLESS OTHERWISE SPECIFIED TOLERANCES: .xx ±0.25 Dimensions in MM		P/N: XF5006-VM	REV. A
	DWN.	李小锋	Dec-14-04
	CHK.	廖玉坤	Dec-14-04
SHEET 1 OF 1	APP.	J Ng	Dec-14-04