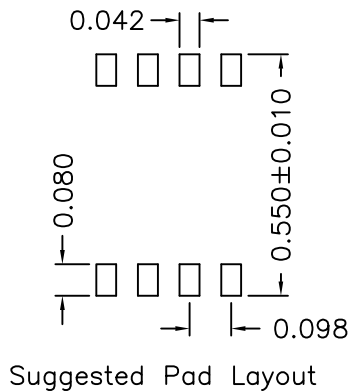
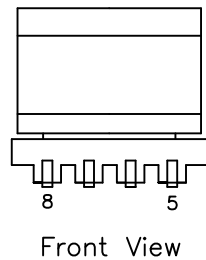
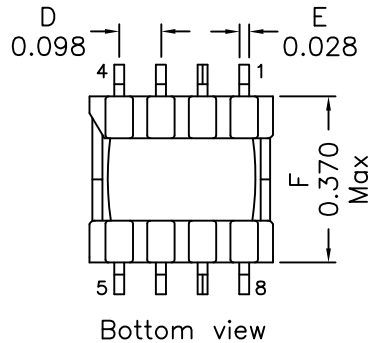
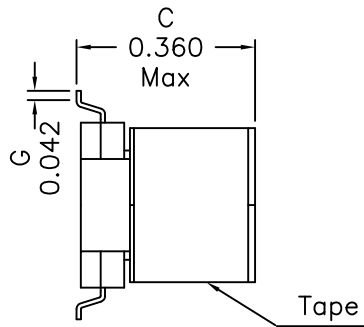
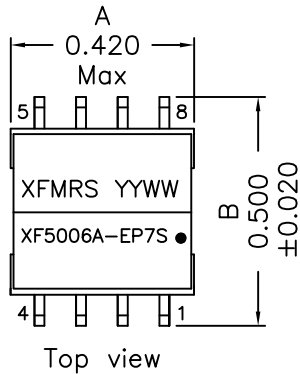


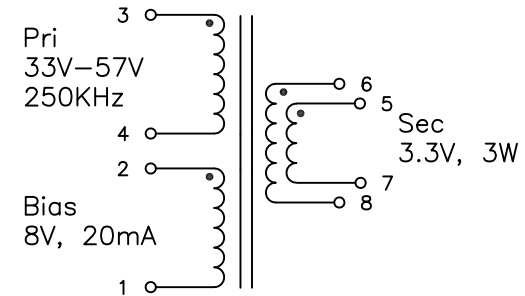
1. Mechanical Dimensions:



Notes:

1. Solderability: Leads shall meet MIL-STD-202G, Method 208H for solderability.
2. Flammability: UL94V-0
3. ASTM oxygen index: > 28%
4. Insulation System: Class F 155°C. UL file E151556
5. Operating Temperature Range: All listed parameters are to be within tolerance from -40°C to +85°C
6. Storage Temperature Range: -55°C to +125°C
7. Aqueous wash compatible
8. SMD Lead Coplanarity: ±0.004" (0.102mm)
9. Electrical and mechanical specifications 100% tested
10. RoHS Compliant Component

2. Schematic:



*Secondary windings to be connected in parallel on PC board

3. Electrical Specifications: @25°C

- OCL: Pins 3-4 500uH±10% @250KHz, 0.1V OAdc
 Q: Pins 3-4 65 Min @250KHz, 0.1V
 LL: Pins 3-4 9.50uH Max @250KHz, 0.1V Short All Else
 SRF: Pins 3-4 450KHz Min
 DCR: Pins 3-4 1.75 Ohms Max
 Pins 2-1 0.215 Ohms Max
 Pins 6-8 0.030 Ohms Max
 Pins 5-7 0.030 Ohms Max
 Turns Ratio: (3-4):(6-8):(5-7):(2-1)
 = 1.000:0.083:0.083:0.208±2%
 Hipot: 1500Vac, Pri & Bias to Sec

DOC. REV: A/3

| | | | |
|-----------------------------------|----------------------------|-------------------|-----------|
| XFMRS Inc www.XFMRS.com | Title: TRANSFORMER | | |
| | UNLESS OTHERWISE SPECIFIED | P/N: XF5006A-EP7S | REV. A |
| TOLERANCES: .xxx ±0.010 | DWN. | Yuan | Apr-22-15 |
| Dimensions in Inch | CHK. | YK Liao | Apr-22-15 |
| SHEET 1 OF 1 | APP. | Joe Huff | Apr-22-15 |