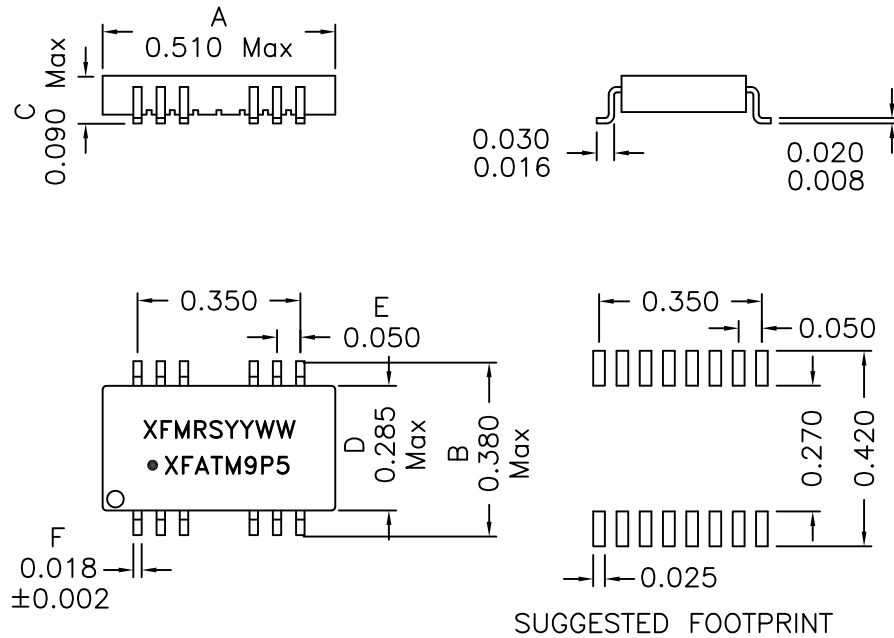


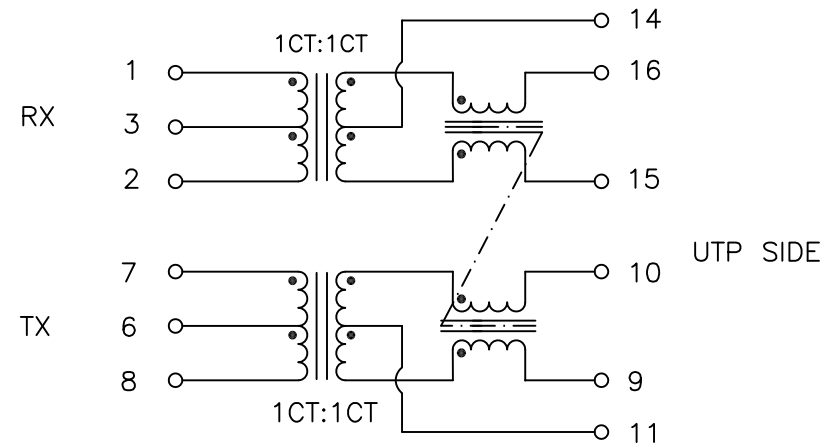
1. Mechanical Dimensions:



Notes:

- Solderability: Leads shall meet MIL-STD-202G, Method 208H for solderability.
- Flammability: UL94V-0
- ASTM oxygen index: > 28%
- Insulation System: Class F 155°C. UL file E151556
- Operating Temperature Range: All listed parameters are to be within tolerance from -5°C to +85°C
- Storage Temperature Range: -55°C to +125°C
- Aqueous wash compatible
- SMD Lead Coplanarity: ±0.004"(0.102mm)
- Electrical and mechanical specifications 100% tested
- RoHS Compliant Component

2. Schematic:



3. Electrical Specifications: @25°C

UTP Impedance: 100 OHMS

Turns Ratio: TX : 1CT:1CT ±2% RX : 1CT:1CT ±2%

Isolation Voltage: 1500 VAC (Input to Output)

UTP Side OCL: 350uH Minimum @100KHz,100mV

UTP Side Q: 8 Minimum @100KHz,100mV

Rise Time (10-90%): 2.0ns Typical

Insertion Loss (1-100MHz): -1.0dB Maximum

Return Loss(5-100MHz): -12dB Typical

CMRR (1MHz-100MHz): -40dB TYPICAL

Crosstalk Attenuation: -50dB Typ.

DOC. REV: A/8

XFMRS Inc. www.XFMRS.com	Title: 10/100BASE-TX MAGNETICS		
	UNLESS OTHERWISE SPECIFIED TOLERANCES: .xxx ±0.010 Dimensions in Inch	P/N: XFATM9P5	REV. A
	DWN.	Yuan	Sep-04-12
	CHK.	YK Liao	Sep-04-12
SHT 1 OF 1	APP.	BW	Sep-04-12