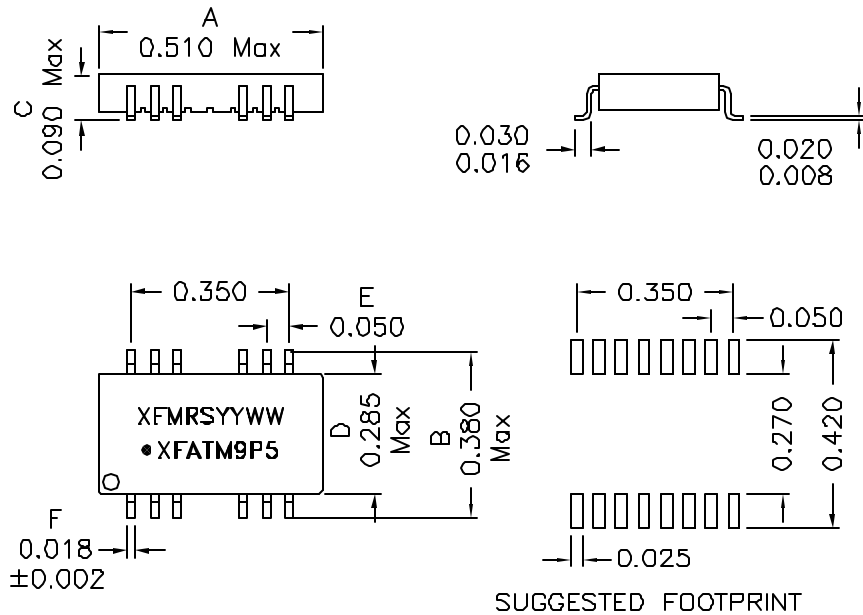
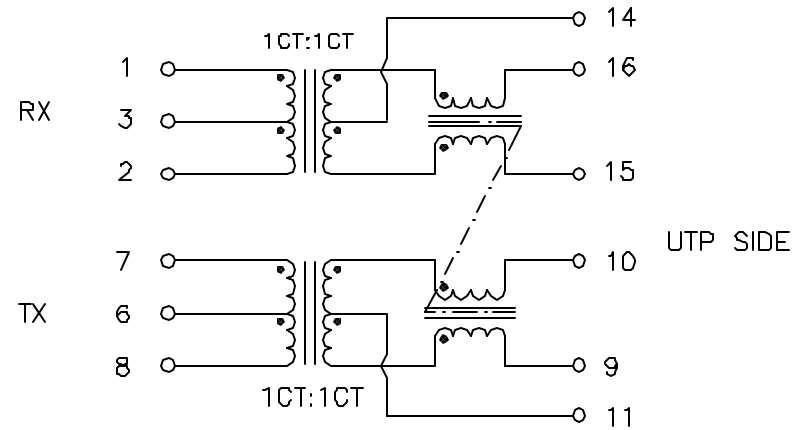


1. Mechanical Dimensions:



2. Schematic:



3. Electrical Specifications: @25°C

- UTP Impedance: 100 OHMS
- Turns Ratio: TX : 1CT:1CT ±2% RX : 1CT:1CT ±2%
- Isolation Voltage: 1500 VAC (Input to Output)
- UTP Side OCL: 350uH Minimum @100KHz,100mV
- UTP Side Q: 8 Minimum @100KHz,100mV
- Rise Time (10-90%): 2.0ns Typical
- Insertion Loss (1-100MHz): -1.0dB Maximum
- Return Loss(5-100MHz): -12dB Typical
- CMRR (1MHz-100MHz): -40dB TYPICAL
- Crosstalk Attenuation: -50dB Typ.

Notes:

- Solderability: Leads shall meet MIL-STD-202C, Method 20BH for solderability.
- Flammability: UL94V-0
- ASTM oxygen index: > 28%
- Insulation System: Class F 155°C. UL file E151556
- Operating Temperature Range: All listed parameters are to be within tolerance from D'G to +70°C
- Storage Temperature Range: -55°C to +125°C
- Aqueous wash compatible
- SMD Lead Coplanarity: ±0.004" (0.102mm)
- Electrical and mechanical specifications 100% tested
- RoHS Compliant Component

DOC. REV: A/7

XFMRs Inc. www.XFMRs.com		Title: 10/100BASE-TX MAGNETICS	
UNLESS OTHERWISE SPECIFIED TOLERANCES: .xxx ±0.010 Inch Dimensions in Inch/mm	P/N: XFATM9P5		REV. A
	DWN.	Feng	Oct-18-11
SHT 1 OF 1	CHK.	YK Liao	Oct-18-11
	APP.	Joe Huff	Oct-18-11