

# C5750X7S2A106M230KE

TDK Item Description : C5750X7S2A106MT\*\*\*S

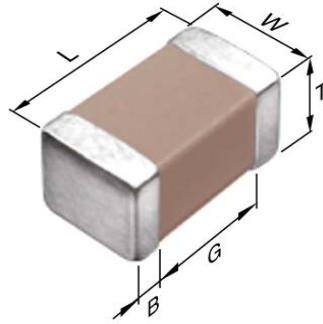


## Application & Main Feature

Commercial Grade ( Soft Termination )

## Series

C5750 [EIA CC2220]



## Dimensions

L 5.70mm +0.5,-0.4mm  
 W 5.00mm +/-0.4mm  
 T 2.30mm +0.3,-0.2mm  
 B 0.20mm Min.  
 G

## Temperature Characteristic

X7S (-55 to 125 degC +/-22%)

## Rated Voltage

2A (100Vdc)

## Capacitance

10uF

## Capacitance Tolerance

M (+/-20%)

## Dissipation Factor

5% Max.

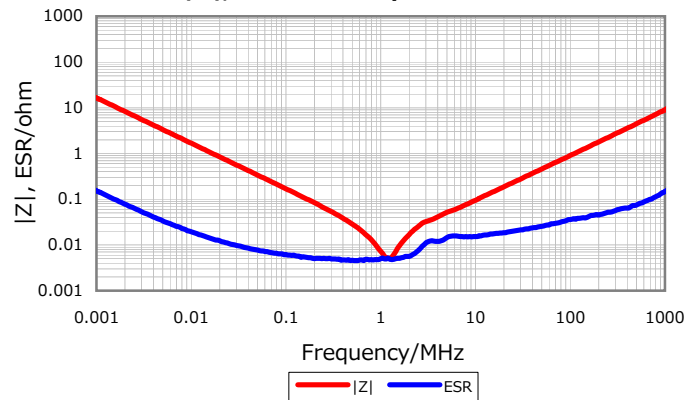
## Insulation Resistance

50Mohm Min.

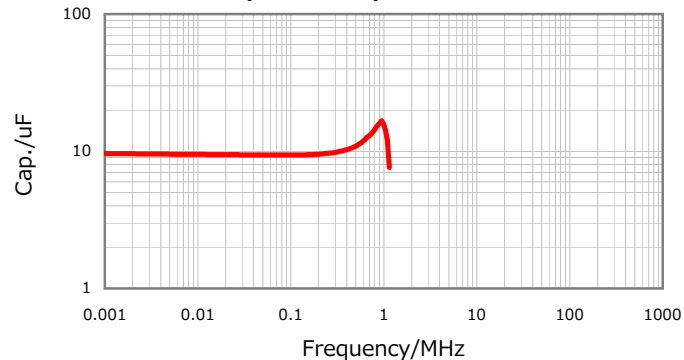
## AEC-Q200

Not Applicable

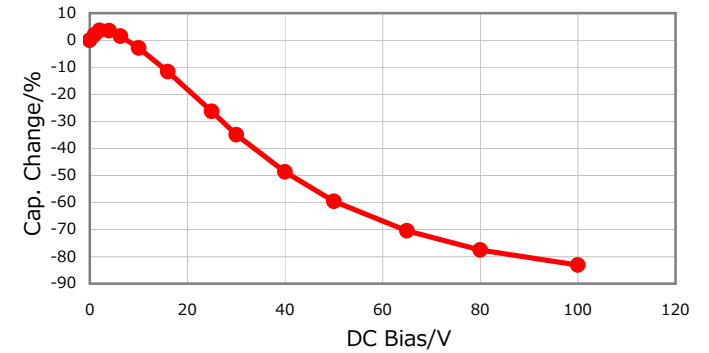
## |Z|, ESR vs. Freq. Characteristics



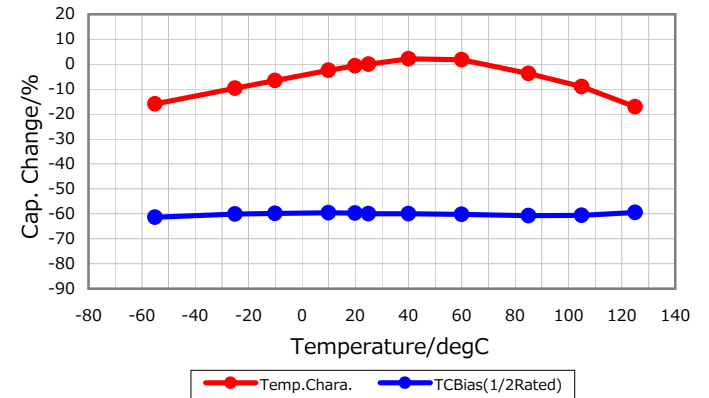
## Cap. vs. Freq. Characteristic



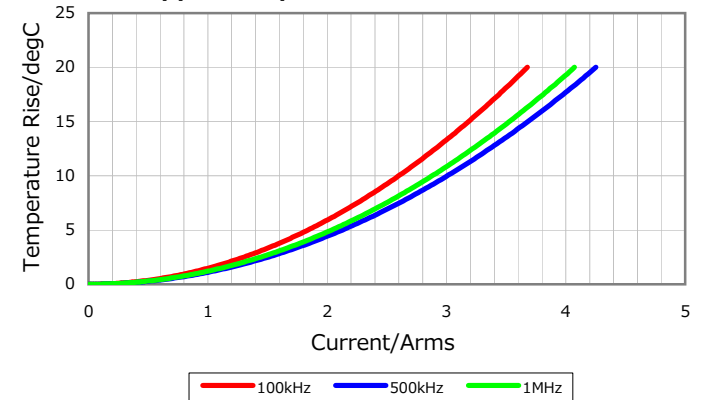
## DC Bias Characteristic



## Temperature Characteristics



## Ripple Temperature Rise Characteristics



Characterization Sheet ( Multilayer Ceramic Chip Capacitors )



All specifications are subject to change without notice.

January 4, 2016