

## DESCRIPTION

The CM6535 is a USB 2.0 audio chip built in 8051 for flexible applications with Tri-Colors PWM LED driver, two (2)-channel ADC/DAC and S/PDIF and I2S interface makes it suitable for headset, notebook/mobile docking, speaker and microphone applications. The internal 8051 can also be developed to different applications, such as Microsoft™ Lync/Skype/VoIP device and Android Phone or Tablet/Slate docking device. The CM6535 is compatible with USB Audio Class 1.0 and USB 2.0 full-speed, thus it can plug and play without additional software installation on the major operation systems. The internal DAC/ADC and I2S support 8~96 KHz sampling rate and 16/24bits resolution.

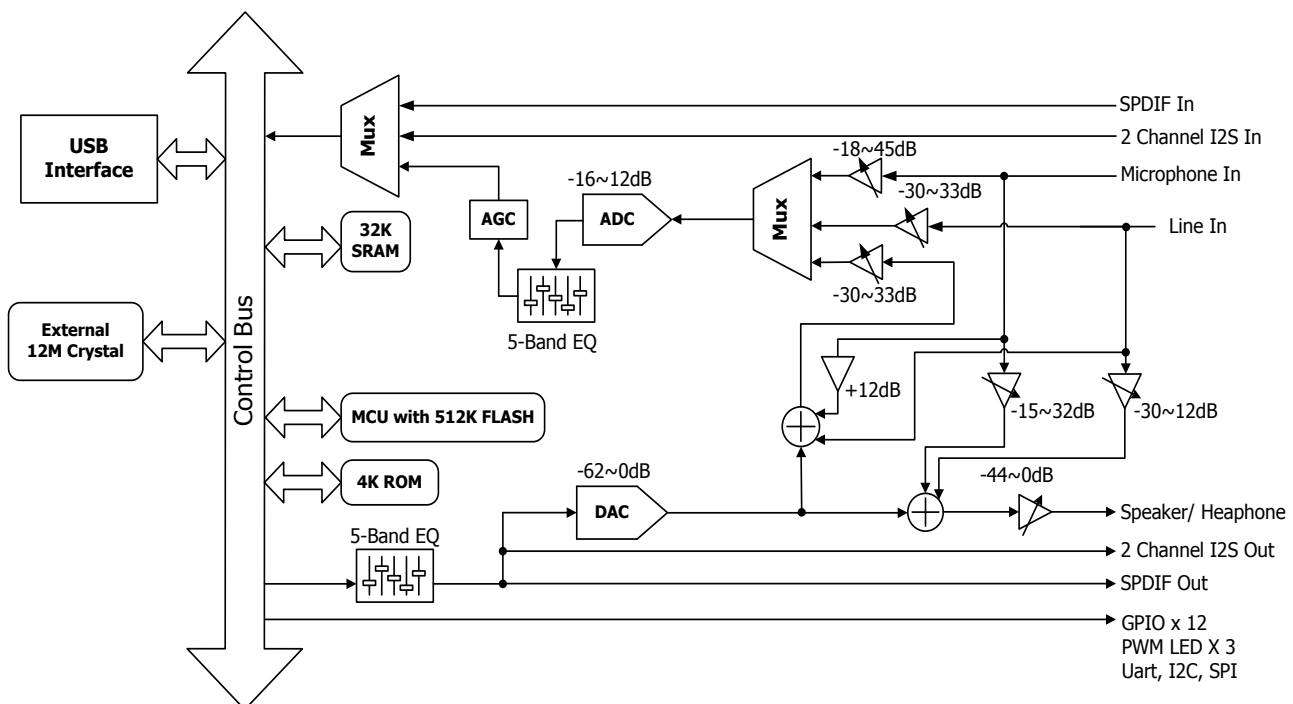
The CM6535 integrates the equalizer on both playback and recording paths to compensate the frequency response of microphones and headphones.

The CM6535 also integrates 512K Byte flash (Including 32KB F/W programming size) and requires few passive components to make a finish product. Thus, it can save the total BOM cost and PCB area can be smaller.

## FEATURES

- USB 2.0 full-speed compliant
- USB Audio Class 1.0 compliant
- USB Human Interface Device (HID) Class 1.1 compliant
- Two (2)-channel DAC & I2S for audio output interface
- Two (2)-channel ADC & I2S for audio input interface
- Supports Digital Microphone Interface
- Built-in S/PDIF Input/output transmitter
- Built-in Equalizer on both playback and recording paths
- Built-in AGC on recording path
- Supports dual tone generator
- Supports USB suspend/resume/reset functions
- Supports control, interrupt, bulk, and isochronous data transfers
- Embedded 1T 8051 with 32K Byte SRAM and 512K Byte flash(Including 32K Byte F/W programming size)
- Supports OMTP and CTIA auto switch on a 4-pole jack
- Integrated Tri-Colors PWM LED driver
- Master/Slave H/W I2C/SPI/UART control interface for external audio devices or FLASH access
- Built-in 30mW @ 32 ohm load headphone amplifier
- On chip watchdog timer

## BLOCK DIAGRAM



---

## Release notes

Revision	Date	Description
1.0	2015/6/22	First release
1.1	2016/02/18	<ol style="list-style-type: none"><li>1. Modify I2C Using Example.</li><li>2. Modify SPI Using Example.</li><li>3. Update TEST pin information.</li><li>4. Modify UART TX/RX pin description</li></ol>

---

## TABLE OF CONTENTS

1	Description and overview .....	6
2	Features .....	6
2.1	USB compliance .....	6
2.2	Integrated 8051 micro-processor .....	6
2.3	Control interface .....	6
2.4	General .....	7
2.5	Audio I/O .....	7
2.6	General firmware volume setting value .....	8
3	Applications .....	8
4	Pin assignment .....	9
4.1	Pin-out diagram .....	9
4.2	Pin description .....	10
4.3	Pin Circuit Diagrams .....	13
5	USB audio topology .....	14
5.1	Headset topology .....	14
6	Function description .....	16
6.1	Playback equalizer .....	16
6.1.1	Five (5)-band Equalizer .....	16
6.1.2	Four(4) preset EQ mode .....	17
6.2	Recording equalizer .....	18
6.3	Recording AGC .....	18
6.4	HID function .....	21
6.4.1	HID interrupt in .....	21
6.4.2	HID get_input_report .....	22
6.4.3	HID set_output_report .....	23
6.5	Vendor command definition .....	24
6.5.1	Vender command read .....	24
6.5.2	Vender command write .....	24
6.5.3	USB vendor requests .....	24
6.5.4	Simple process of firmware update .....	25
6.6	I <sup>2</sup> S Control description .....	26
6.6.1	I <sup>2</sup> S Interface setting .....	26
6.6.2	Basic of I <sup>2</sup> S bus .....	26
6.6.3	Left justified mode .....	27

6.6.4	I <sup>2</sup> S Mode .....	27
6.6.5	I <sup>2</sup> S MCLK/BCLK/LRCK ratio and format for cm6535 .....	28
6.6.6	I2S output enable setting and data stream path.....	29
6.6.7	I <sup>2</sup> S DSP mode.....	30
6.7	SPDIF control description.....	31
6.7.1	SPDIF frame description.....	31
6.7.2	SPDIF out channel status .....	32
6.8	Digital microphone .....	33
6.9	I <sup>2</sup> C interface .....	34
6.9.1	I <sup>2</sup> C master mode.....	34
6.9.2	I2C-master read with clk_sync mode .....	35
6.9.3	I <sup>2</sup> C master device address and control register .....	35
6.9.4	I <sup>2</sup> C master memory address pointer (map) register .....	35
6.9.5	I <sup>2</sup> C master memory address pointer (map2) register .....	35
6.9.6	I <sup>2</sup> C master data register .....	35
6.9.7	I <sup>2</sup> C Master Control and Status Register 0 .....	36
6.9.8	I <sup>2</sup> C master control and status register 1 .....	36
6.9.9	I <sup>2</sup> C master download control and status register.....	36
6.9.10	I <sup>2</sup> C master clock period setting register .....	37
6.9.11	I <sup>2</sup> C slave mode .....	38
6.9.12	I <sup>2</sup> C slave data register .....	38
6.9.13	I <sup>2</sup> C slave status register.....	38
6.9.14	I <sup>2</sup> C slave memory address pointer (map) register.....	39
6.9.15	I <sup>2</sup> C slave status register.....	39
6.10	SPI interface.....	41
6.10.1	SPI Registers Descriptions.....	41
6.10.2	SPI Control Register 0 .....	41
6.10.3	SPI control register 1 .....	42
6.10.4	SPI interrupt .....	42
6.10.5	SPI Control Register 3 .....	43
6.11	GPIO .....	44
6.11.1	GPO data register.....	44
6.11.2	GPI data register .....	44
6.11.3	GPIO direction control register.....	44
6.11.4	GPIO interrupt enable mask register.....	44
6.11.5	GPIO debouncing register.....	44
6.11.6	GPI remote choose.....	44
6.11.7	GPIO pull-up/down.....	45
6.12	Arbitrary sine-tone generator .....	47

---

6.13	Tri-colored led control setting.....	48
6.14	Reset.....	49
6.14.1	Watchdog reset timer .....	49
7	Electrical characteristics .....	50
7.1	Absolute maximum ratings .....	50
7.2	Recommended operation conditions.....	50
7.3	Power consumption.....	50
7.4	DC characteristics .....	50
7.5	Analog audio.....	51
7.6	USB transceiver .....	51
7.7	Microphone bias.....	52
8	Audio performance .....	53
8.1	DAC audio quality .....	53
8.2	ADC audio quality .....	54
8.3	A-A path audio quality.....	55
9	Package dimension.....	56

## 1 Description and overview

The CM6535 is a USB 2.0 audio chip built in 8051 for flexible applications with Tri-Colors PWM LED driver, two (2)-channel ADC/DAC and S/PDIF and I2S interface makes it suitable for headset, notebook/ mobile docking, speaker and microphone applications. The internal 8051 can also be developed to different applications, such as Microsoft™ Lync/ Skype/VoIP device and Android Phone or Tablet/Slate docking device. The CM6535 is compatible with USB Audio Class 1.0 and USB 2.0 full-speed, thus it can plug and play without additional software installation on the major operation systems. The internal DAC/ADC and I2S support 8-96 KHz sampling rate and 16/24bits resolution.

The CM6535 integrates the equalizer on both playback and recording paths to compensate the frequency response of microphones and headphones.

The CM6535 also integrates 512K Byte flash (Including 32KB F/W programming size) and requires few passive components to make a finish product. Thus, it can save the total BOM cost and PCB area can be smaller.

## 2 Features

### 2.1 USB compliance

- USB 2.0 full-speed compliant
- USB Audio Class 1.0 compliant
- USB Human Interface Device (HID) Class 1.1 compliant
- Supports USB suspend/resume/reset functions
- Supports control, interrupt, bulk, and isochronous data transfers
- Support Synchronous and Asynchronous audio data synchronization

### 2.2 Integrated 8051 micro-processor

- Embedded 8051 micro-processor to handle the command/protocol transactions
- Embedded 512K Byte SPI Flash(Including 32KB F/W programming size)
- 32K Byte RAM for firmware extension and plug-in
- HID interrupts/buttons/functions can be implemented via firmware codes
- Provides maximum hardware configuration flexibility with firmware code upgrade
- VID/PID/Product String can program by firmware

### 2.3 Control interface

- Master/Slave I2C control interface, bus speed supports 100 and 400kbit/s
- One 4-wire SPI master / slave interface, bus speed supports from 150k to 12Mbit/s
- Twelve (12) GPIO pins and firmware programmable.
- JTAG debug interface
- GPIOs are configured as HID key and LED indicators
- Tri-color PWM LED Driver

---

## 2.4 General

- Single 12MHz crystal input is required
- Single 5V power supply (embedded 5V to 1.8V regulator for digital core, 5V to 3.3V regulator for digital IO, 5V to 3.6V regulator for analog codec)
- 3.3V digital I/O pads with 5V tolerance
- Industrial standard LQFP-64 package (7x7mm)

## 2.5 Audio I/O

- Playback Stream:
  - Speaker/Headphone
    - Sample Rates: 8K/11.025K/16K/22.05K/32K/44.1K/48K/88.2K/96KHz
    - Supported Bit Length: 16/24 bits
    - Speaker Gain Range(Analog) is -44 ~ 0dB, 1dB/step
    - DAC Gain Range(Digital) is -62 ~ 0dB, 1dB/step
  - I2S interface with DSP mode
    - Sample Rates: 8K/11.025K/16K/22.05K/32K/44.1K/48/88.2/96K
    - Supported Bit Length: 16/24 bits
  - S/PDIF transmitter
    - Sample Rates: 44.1K/48K/88.2K/96K
    - Supported Bit Length: 16/24 bits
- Recording Stream:
  - Microphone/Line input
    - Sample Rates: 8K/11.025K/16K/22.05K/32K/44.1K/48K/96KH
    - Supported Bit Length: 16/24 bits
    - Microphone gain range(Analog) is -18 ~ 45dB, 1dB/step
    - Line input gain range(Analog) is -33 ~ 30dB, 1dB/step
    - ADC gain range(Digital) is -16 ~ 12dB, 1dB/step
  - I2S interface with DSP mode
    - Sample Rates: 8K/11.025K/16K/22.05K/32K/44.1K/48K/96KH
    - Supported Bit Length: 16/24 bits.
  - S/PDIF transmitter
    - Sample Rates: 44.1K/48K/88.2K/96KH
    - Supported Bit Length: 16/24 bits
  - Stereo Mixer
    - Mix playback stream with microphone and line input
    - Gain Range (Analog) is -30 ~ 33dB, 1dB/step

- A-A path Stream:
  - Microphone to playback A-A path
    - Mix mono microphone input to stereo playback both L/R channel.
    - Gain Range (Analog) is -15 ~ 32dB, 1dB/step.
  - Line input to playback A-A path
    - Mix Line input to stereo playback both L/R channel.
    - Gain Range (Analog) is -30 ~ 12dB, 1dB/step.

\*\*Note 1: A-A path means Analog to Analog Mixer path

\*\*Note 2:

CM6535 is a USB 2.0 full-speed audio device. Since there is a bandwidth limitation, CM6535 cannot support 96 KHz/24bits for playback and capture streams simultaneously. The possible combinations are shown below:

	Playback	Capture
Audio Format	Stereo, 96KHz/24bits	Stereo, 48KHz/24bits or below
		Mono, 96KHz/24bits or below
	Stereo, 48KHz/24bits or below Mono, 96KHz/24bits or below	Stereo, 96KHz/24bits

## 2.6 General firmware volume setting value

The CM6535 is a MCU base USB Audio Device; the default topology is different from its hardware capability. Please refer to Chapter 5.1 for the CM6535 default topology while below the gain volume range.

Device	Minimum	Maximum	Default	dB/Step
Speaker	-45dB(Mute)	0dB	-10dB	1dB
Microphone input recording Volume	0dB	+30dB	+20dB	1dB
Microphone A-A path (playback)	-15dB(Mute)	+22dB	0dB	1dB
Line input recording Volume	-26dB	+12dB	0dB	1dB
Line input A-A path Volume	-30dB	+12dB	0dB	1dB

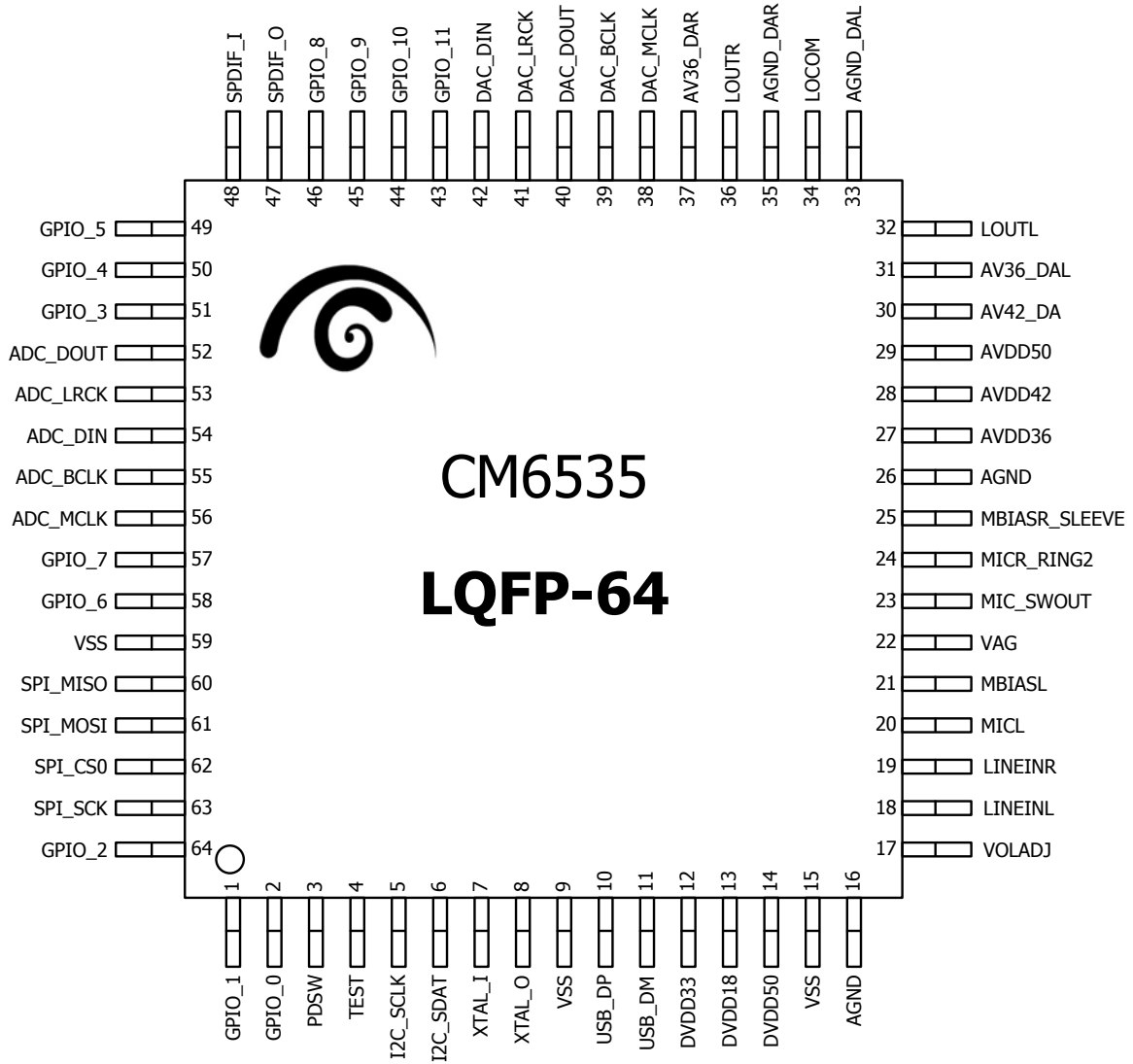
## 3 Applications

- USB Headset
- Notebook/Net book Docking
- Android Phone/Tablet Docking
- USB DAC, Headphone amplify
- USB Microphone



## 4 Pin assignment

### 4.1 Pin-out diagram



## 4.2 Pin description

Pin #	Symbol	I/O	Description
<b>Clock</b>			
8	XTAL_O	AO	12MHz crystal oscillator output
7	XTAL_I	AI	12MHz crystal oscillator input
<b>USB2.0 BUS Interface</b>			
10	USB_DP	AIO	USB 2.0 data plus (USB D+ signal)
11	USB_DM	AIO	USB 2.0 data minus (USB D- signal)
<b>Power/Ground</b>			
12	DVDD33	AO	Regulator 3.3V output, drive capacity 10mA
13	DVDD18	AO	Regulator 1.8V output, no current drive capacity
14	DVDD50	PWR	5V digital power for 5/3.3/1.8V regulator
27	AVDD36	AO	Analog 3.6V regulator for ADC, no current drive capacity
28	AVDD42	AO	4.2V power for Analog and Voltage and Current Reference
29	AVDD50	PWR	5V analog power for 4.2/3.6V regulator
30	AV42_DA	AO	Analog 4.2V regulator for Analog 3.6V regulator, no current drive capacity
31	AV36_DAL	AO	Analog 3.6V regulator for DAC left channel, no current drive capacity
37	AV36_DAR	AO	Analog 3.6V regulator for DAC right channel, no current drive capacity
9	VSS	GND	Digital Ground
59	VSS	GND	Digital Ground
15	VSS	GND	Digital Ground
16	AGND	GND	Analog Ground
26	AGND	GND	Analog Ground
33	AGND_DAL	GND	Analog Ground
35	AGND_DAR	GND	Analog Ground

<b>Audio Interface</b>			
23	MIC_SWOUT	AI	Combo jack detect and auto switch, detect combo jack type and switch to MICR_RING2 or MBIASR_SLEEVE.
20	MICL	AI	Microphone in left channel
24	MICR_RING2	AI	Microphone in right channel or combo jack ring2 pin input
21	MBIASL	AO	Microphone bias (2.75V) for left channel
25	MBIASR_SLEEVE	AO	Microphone bias (2.75V) for right channel or combo jack Sleeve pin input
22	VAG	AO	Voltage reference cap filter
32	LOUTL	AO	Line out left channel
34	LOCOM	AO	Line out common reference for cap-less connection Suggested connections: Cap-less: 10uF None use: floating
36	LOUTR	AO	Line out right channel
18	LINEINL	AI	Line input left channel
19	LINEINR	AI	Line input right channel
17	VOLADJ	AI	Analog control voltage input for playback volume control SAR ADC digital input range: SARAD<5:0> 000000:Maxium-----27.3mV 111111:Minium-----1.75V (27.3mV/1step)
<b>Two (2)-channel I2S DAC Output Interface</b>			
38	DAC_MCLK	DIO	I2S out master clock Programmable 3.3V output buffer

39	DAC_BCLK	DIO	I2S out bit clock Programmable 3.3V bidirectional buffer Internal default pull-down
40	DAC_DOUT	DO	I2S out serial data output Programmable 3.3V output buffer
41	DAC_LRCK	DIO	I2S out left/right clock Programmable 3.3V bidirectional buffer Internal default pull-down
42	DAC_DIN	DI	I2S out serial data input, For DSP mode only Programmable 3.3V output buffer
<b>Two (2)-channel I2S ADC Input Interface</b>			
52	ADC_DOUT	DO	I2S in serial data output; for DSP mode only
53	ADC_LRCK	DIO	I2S in left/right clock Programmable 3.3V bidirectional buffer Internal default pull-down
54	ADC_DIN	DI	I2S in serial data input Programmable 3.3V input buffer, Schmitt trigger Internal default pull-down
55	ADC_BCLK	DIO	I2S in bit clock Programmable 3.3V bidirectional buffer Internal default pull-down
56	ADC_MCLK	DIO	I2S in master clock Programmable 3.3V output buffer
<b>S/PDIF I/O</b>			
47	SPDIF_O	DO	S/PDIF transmitter SPDIF_O is an output buffer with 8mA Tri-state
48	SPDIF_I	DI	S/PDIF Receiver SPDIF_O is an input buffer with 8mA Tri-state

<b>GPIO</b>			
2	GPIO_0	DIO	General purpose input/output (default Volume Up button). 3.3V I/O, 5V tolerance, bidirectional buffer with 8mA driving current, Default weak pull-up for input (JTAG-TCK)
1	GPIO_1	DIO	General purpose input/output (default Volume Down button). 3.3V I/O, 5V tolerance, bidirectional buffer with 8mA driving current, Default weak pull-up for input (JTAG-TMS)
64	GPIO_2	DIO	General purpose input/output (default Play Mute button). 3.3V I/O, 5V tolerance, bidirectional buffer with 8mA driving current, Default weak pull-up for input (JTAG-TDI)
51	GPIO_3	DIO	General purpose input/output (default Rec Mute button). 3.3V I/O, 5V tolerance, bidirectional buffer with 8mA driving current, Default weak pull-up for input.
50	GPIO_4	DIO	Programmable 2 in 1 I/O interface. GPIO/PWM select by firmware. General purpose input/output (default PWM LED Blue). 3.3V I/O, 5V tolerance, bidirectional buffer with 8mA driving current, Default weak pull-up for input.
49	GPIO_5	DIO	Programmable 2 in 1 I/O interface. GPIO/PWM select by firmware. General purpose input/output (default PWM LED Green). 3.3V I/O, 5V tolerance, bidirectional buffer with 8mA driving current, Default weak pull-up for input.
58	GPIO_6	DIO	Programmable 2 in 1 I/O interface. GPIO/PWM select by firmware. General purpose input/output (default PWM LED Red). 3.3V I/O, 5V tolerance, bidirectional buffer with 8mA driving current, Default weak pull-up for input (JTAG-TRST)

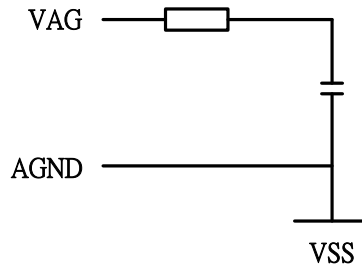
57	GPIO_7	DIO	General purpose input/output (JTAG-TDO). 3.3V I/O, 5V tolerance, bidirectional buffer with 8mA driving current, default EQ disable weak pull-up for input.	There are 4 kinds of preset EQ, GPIO7 and 8 are used to determine in which mode. The combinations are shown below. GPIO[8:7]=0,0: Normal mode GPIO[8:7]=0,1: Gaming mode GPIO[8:7]=1,0: Communication mode GPIO[8:7]=1,1: Movie mode EQ function can enable via configuration tool or firmware.
46	GPIO_8	DIO	General purpose input/output 3.3V I/O, 5V tolerance, bidirectional buffer with 8mA driving current, Default EQ disable weak pull-up for input.	
45	GPIO_9	DIO	General purpose input/output (default Rec Clip Indicator). 3.3V I/O, 5V tolerance, bidirectional buffer with 8mA driving current, Default weak pull-up for input.	
44	GPIO_10	DIO	Programmable 3 in 1 I/O interface. GPIO/Digital MIC Clock (DMIC_CLK)/ UART_RX select by firmware. GPIO (Default MIC Jack Detect): 3.3V I/O, 5V tolerance, bidirectional buffer with 8mA driving current, Default weak pull-up for input.	
43	GPIO_11	DIO	Programmable 3 in 1 I/O interface. GPIO/Digital MIC Data (DMIC_DAT)/ UART_TX select by firmware. GPIO (Default Headphone Jack Detect): 3.3V I/O, 5V tolerance, bidirectional buffer with 8mA driving current, Default weak pull-up for input.	
<b>4-Wire SPI Serial Bus</b>				
60	SPI_MISO	DIO	SPI data master in/slave out, 3.3V I/O, 5V tolerance, bidirectional buffer with 8mA driving current, Default weak pull-down for input.	
61	SPI_MOSI	DIO	SPI data master out/slave in, 3.3V I/O, 5V tolerance, bidirectional buffer with 8mA driving current, Default weak pull-down for input.	
62	SPI_CS0	DIO	SPI chip select, 3.3V I/O, 5V tolerance, bidirectional buffer with 8mA driving current, Default weak pull-up for input.	
63	SPI_SCK	DIO	SPI clock, 3.3V I/O, 5V tolerance, bidirectional buffer with 8mA driving current, Default weak pull-down for input.	
<b>2-Wire Serial Bus (I2C)</b>				
6	I2C_SDAT	DIO	2-wire serial data, 3.3V I/O, 5V tolerance, bidirectional buffer with 8mA driving current Default weak pull-up for input.	
5	I2C_SCLK	DIO	2-wire serial clock, 3.3V I/O, 5V tolerance, bidirectional buffer with 8mA driving current Default weak pull-up for input.	
<b>Miscellaneous</b>				
3	PDSW	DO	Power Down Switch is an output buffer with 8mA Tri-state output. Normal mode: 0 Suspend mode: 1	
4	TEST	DI	The TEST pin is used for IC test, another one is in the instance when F/W crashes or USB was not recognized, set TEST pin to 3.3V before USB connect can force MCU into boot loader mode and be able to update F/W via configuration tool, default weak pull-down for input. 1: Boot loader mode 0: Normal operation	

\*\*Note1: GPIOs, I2C, SPI, SPDIF, MIC\_SWOUT, MICL, MICR\_RING2, MBIASL, MBIASR\_SLEEVE, VAG, LOU TL, LOCOM, LOU TR, VOLADJ, PDSW pins can be left floating if not in use.

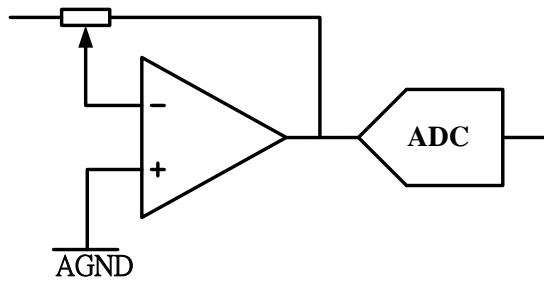
\*\*Note2: Suggest connect TEST pin to GND by default setting.

### 4.3 Pin Circuit Diagrams

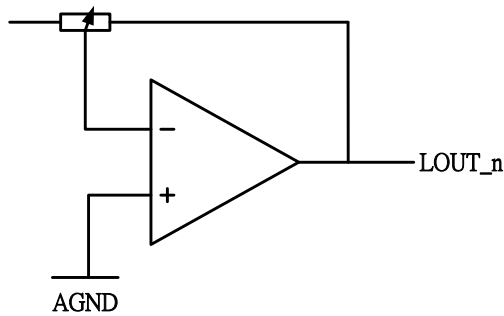
VAG, MIC\_BAIS



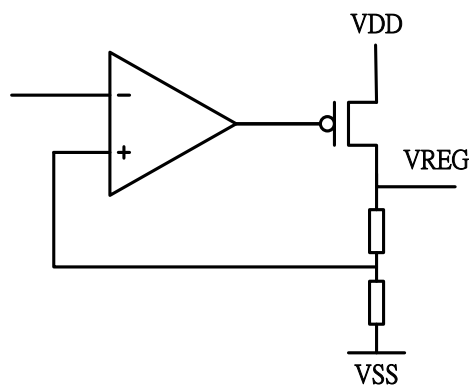
Analog input pins LINE, MIC



Output pins LOU TL, LOU TR

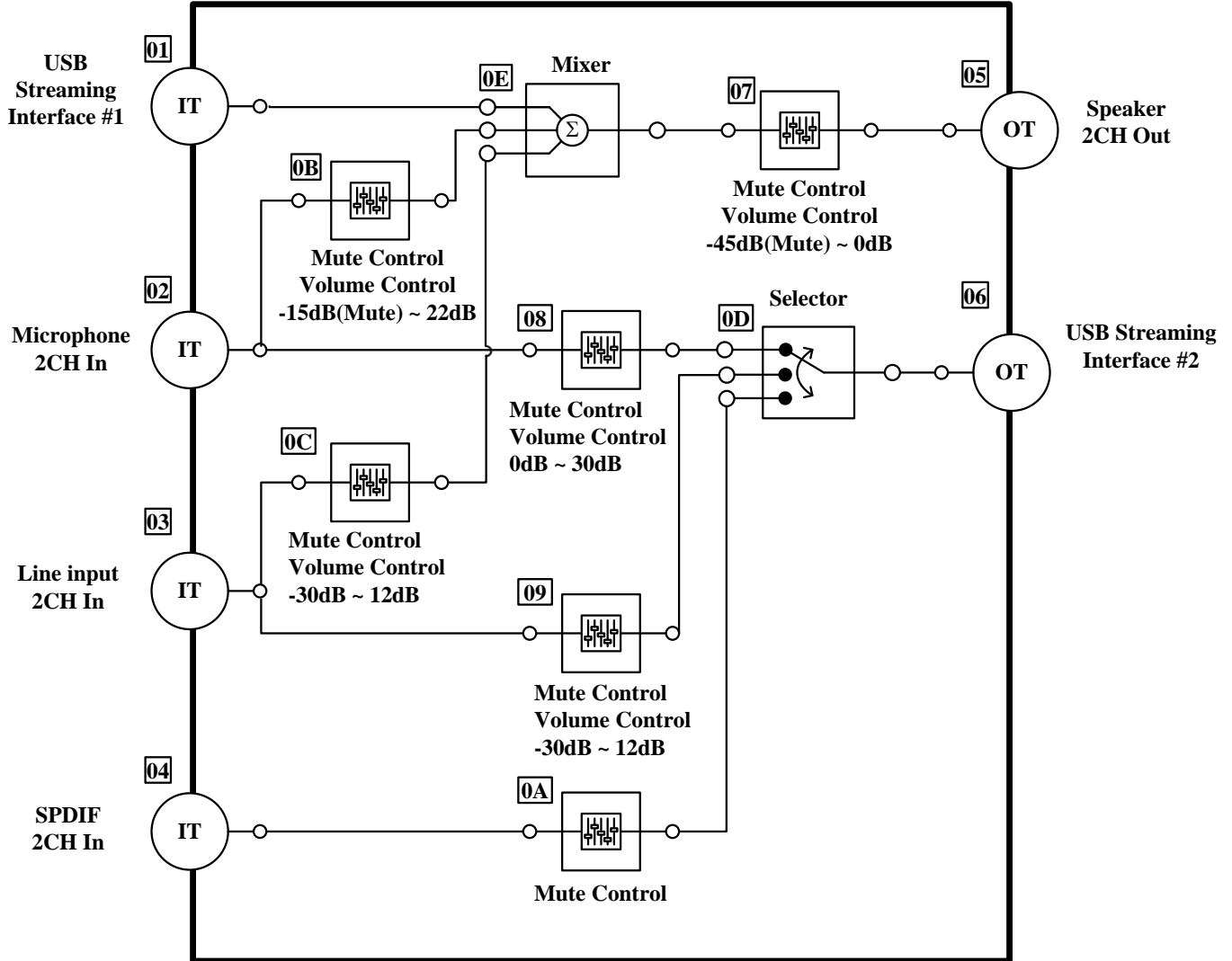


Output pins LOU TL, LOU TR



## 5 USB audio topology

### 5.1 Headset topology



USB Interfaces List

	Interface Description	Endpoint
Interface 0	Audio Control Interface	
Interface 1	Audio Stream Interface for Playback	0x01
Interface 2	Audio Stream Interface for Record	0x82
Interface 3	HID Interface	0x87(Interrupt In 16 bytes)

## Audio Stream Interfaces' Alternate Setting List

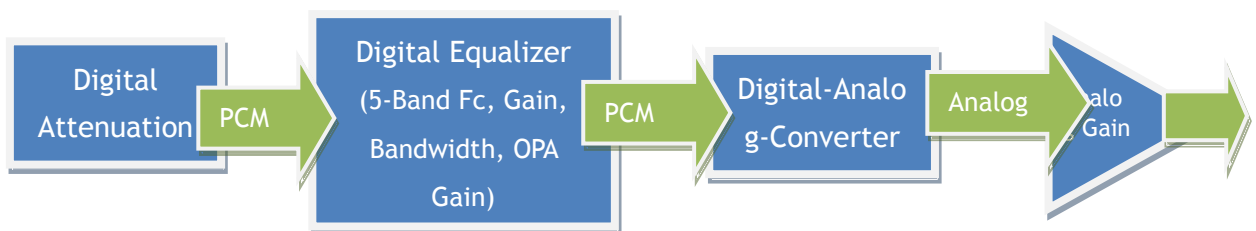
Interface 1 (Speaker)	Alt 1	2CH, 16bits PCM	8K, 11.025K, 16K, 22.05K, 32K, 44.1K, 48K
	Alt 2	2CH, 24bits PCM	8K, 11.025K, 16K, 22.05K, 32K, 44.1K, 48K
	Alt 3	2CH, 16bits PCM	88.2K, 96K
	Alt 4	2CH, 24bits PCM	88.2K, 96K
Interface 2 (MIC In, Line-In, SPDIF-In)	Alt 1	2CH, 16bits PCM	44.1K, 48K
	Alt 2	2CH, 24bits PCM	44.1K, 48K
	Alt 3	2CH, 16bits PCM	88.2K, 96K
	Alt 4	2CH, 24bits PCM	88.2K, 96K

## 6 Function description

### 6.1 Playback equalizer

#### 6.1.1 Five (5)-band Equalizer

CM6535 has integrated five (5)-band hardware digital equalizer (EQ) engine inside the chips to provide various application usages. It provides up to four (4)-preset modes on client's product design for different user scenarios including default/music, movies, gaming and communication modes. Clients could also change the gain parameters for each of the preset application EQ mode via embedded FLASH coding. Also, the EQ engine could also be utilized for compensating and fine-tuning the headphone driver for Sound Pressure Level (SPL) performance to a specific preference. In this case, clients could fully customize all EQ coefficients such as center frequency, gain values, and bandwidth to one optimized frequency response curve and setting in terms of the headphone driver and housing's acoustics characteristics, also via embedded FLASH programming.



The EQ engine contains five (5) frequency bands (Fc) of digital filters to conduct transfer functions of the frequency response over the audio band. It allows maximum of  $\pm 12\text{dB}$  digital gain (Gain) for each band with  $0.5\text{dB}$  adjustment per step. Each filter will have its bandwidth (BW) factor between 0 and 1.0.

Fc: Center Frequency, F1-F5,  $20 < Fc < 20\text{K}$  (Hz)

Gain: Digital Frequency Gain,  $-12\text{dB} \leq \text{Gain} \leq +12\text{dB}$ ,  $0.5\text{dB}/\text{step}$

BW: Filter Bandwidth Factor,  $0 < \text{BW} < 1$

OPA Gain: Analog Gain Compensation setting for each equalizer mode

The EQ engine already provides four (4) preset modes/settings based on the same preset F1-F5 center frequencies and OPA gain:

F1 (Bass) = 100Hz

F2 = 350Hz

F3 = 1 KHz

F4 = 3.5 KHz

F5 (Treble) = 13 KHz

With the four (4)-preset EQ modes, clients could use embedded FLASH parameters to change the gain values for each band of the center frequency and hence customize the four (4)-preset EQ curves based on the preset center frequencies and bandwidth. Alternatively, clients could also skip the four (4) preset modes and create a customized EQ curve by changing the center frequencies, gain values and even the bandwidth factors in embedded FLASH parameters to make the headphones sound better or meet some frequency requirements. However, in this case, the product will always use one optimized EQ setting and could not allow users to dynamically change from one preset mode into another. Clients could also consider reporting Treble/Bass feature unit by embedded FLASH to Windows UAA driver to allow end-users to adjust Bass (F1) and Treble (F5) manually. Therefore, there are three usage/application scenarios as shown by the summary table below:



### Three (3) EQ Usage/Application Scenarios

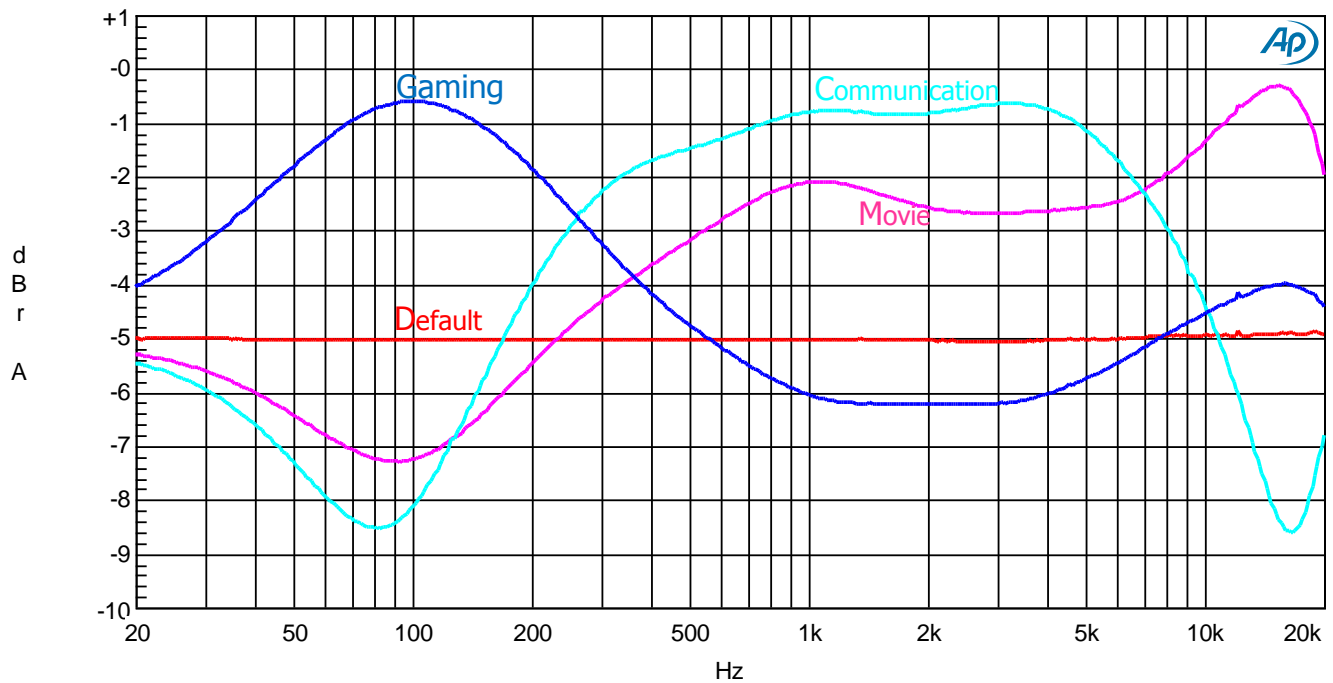
No	Scenario	Gain Value	Center Frequency / Bandwidth Factor	Number of Modes	User Control Type
1	4 Switchable Presets	Configurable	Fixed	4	Hardware
2	Full-Customized EQ	Configurable	Configurable	1	N.A.
3	Treble/Bass Feature Unit	Configurable	Configurable	1	Software

\*\*Note: In the User Control Type, hardware means end-users could select which EQ mode will be used by a hardware switch/button on the product while software control means they could control the treble/bass gain values by GUI in Windows OS sound device advanced settings.

#### 6.1.2 Four(4) preset EQ mode

As mentioned above, EQ engine already provides four (4)-preset EQ modes for different user scenarios/applications. The EQ function default was disabled but it can be enabled via configuration tool or firmware, end users could use the hardware switch on the product (determined by 2 EQ configuration input pins) to dynamically change to different EQ modes. The following shows the frequency response of each mode:

Mode	GPIO8	GPIO7	Color
Default	0	0	-----
Gaming	0	1	-----
Communication	1	0	-----
Movie	1	1	-----



Sweep	Trace	Color	Line Style	Thick	Data	Axis	Comment
1	1	Red	Solid	2	Anlr.Ampl	Left	00
2	1	Magenta	Solid	2	Anlr.Ampl	Left	11
3	1	Cyan	Solid	2	Anlr.Ampl	Left	10
4	1	Blue	Solid	2	Anlr.Ampl	Left	

DA-EQ-SPDIF\_In\_DA\_Out.at27

## 6.2 Recording equalizer

CM6535 also provide five (5)-band equalizer for the input. It can be used to compensate the frequency response of microphone unit. Clients could fully customize all EQ coefficients (center frequency, gain values, and bandwidth) through embedded FLASH coding.

## 6.3 Recording AGC

Automatic Gain Control (AGC) is an automatically controlled method to adjust with intensity of signal. AGC closes the return circuit and that is by the negative response system too.

AGC is also for compressing volume, first it will increase Gain when it is started, then it will set up the upper and lower limits of the signal and lastly, it will compress the dynamic range of sound. AGC is used usually for recording and producing sound, or when volume is being changed in a small environment. If the volume is low, AGC will increase the volume hence if volume is sustained loudly, AGC will decrease volume.

### FEATURES

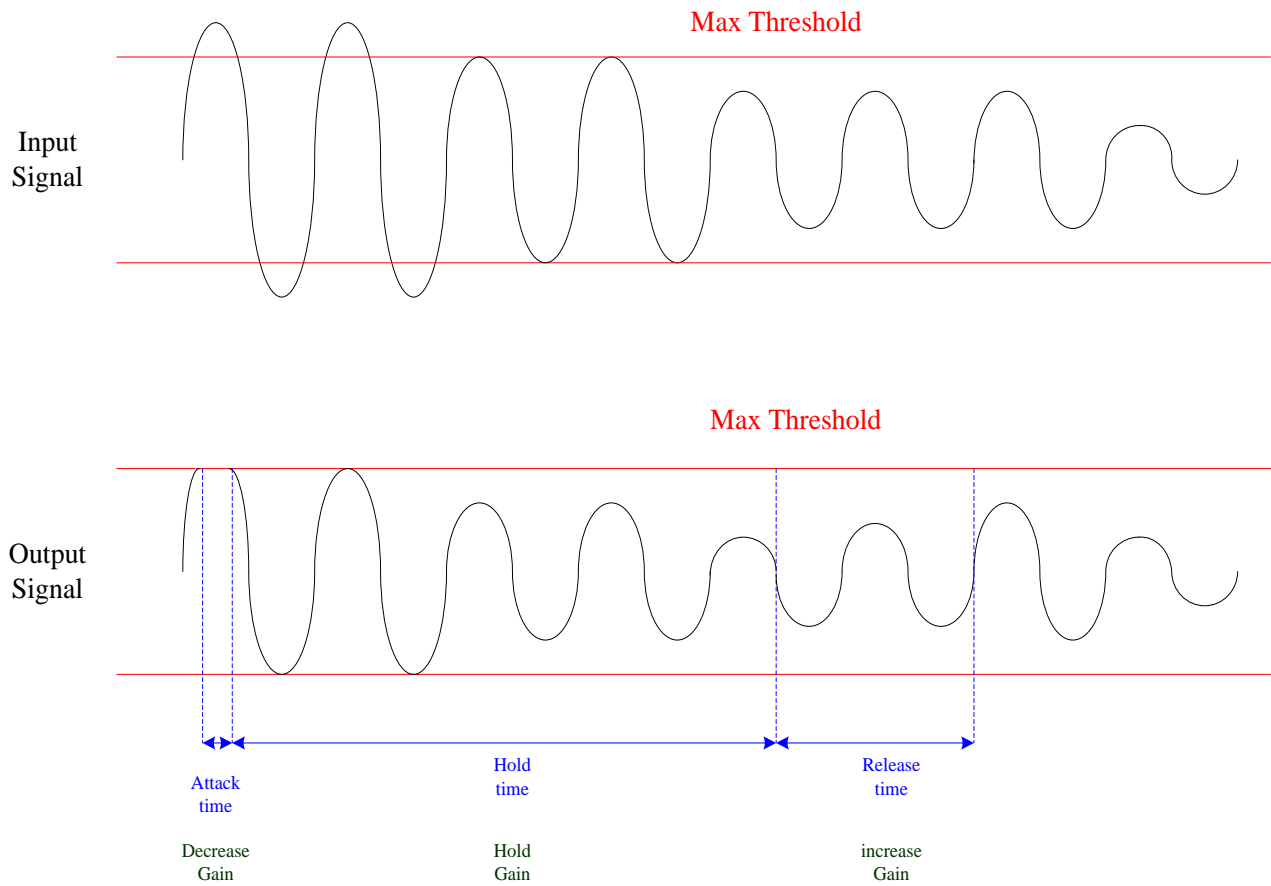
- Programmable AGC Parameters
- Selectable Gain from -12 dB to 45 dB in 1-dB Steps
- Selectable Attack, Release and Hold Times
- AGC Enable/Disable Function
- Limiter Enable/Disable Function
- Pre-Detect Limiter Level Function
- Two (2)-Channel AGC Independent

Shown below are input source types to set AGC gain max/min limit

I2S rec	+12~ -16DB	0xf9= 0x1c (max)+fix gain(9db) = 0x25 0cfA= 0x00(min)
Digital microphone	+20 ~ -16DB	0xf9= 0x24 (max)+fix gain(9db) =0x2d 0xfA= 0x00(min)
Analog microphone	+30 ~ 0DB	0xf9=0x0F+fix gain(9db) inv -> 0x39(max) 0xfA=0x2D inv -> 0x12(min)

**AGC Variable Description**

- Fixed Gain:** The normal gain of the device when the AGC is inactive  
**Limiter Level:** The value that sets the maximum allowed output amplitude  
**Attack Time:** The minimum time between two gain decrements  
**Release Time:** The minimum time between two gain increments  
**Hold Time:** The time it takes for the very first gain increment after the input signal amplitude decreases



## 6.4 HID function

### 6.4.1 HID interrupt in

Input Data Format:

byte0	always 1 for org HID event report ID
byte1	for defined HID event, each event occupies one bit
byte2	
byte3	start address of returned data (H-start_addr)
byte4	start address of returned data (L-start_addr)
byte5	bit7
	bit6:UART_INT
	bit5:GPI_INT
	bit4:SPIS_INT (slave mode int)
	bit3: SPIM_INT (master mode int)
	bit2:I2CS_INT (slave mode int)
	bit1:I2CM_INT (master mode int)
	bit0: IR_INT
byte6	read data of [start_addr]
byte7	read data of [start_addr+1]
byte8	read data of [start_addr+2]
byte9	read data of [start_addr+3]
byte10	read data of [start_addr+4]
byte11	read data of [start_addr+5]
byte12	read data of [start_addr+6]
byte13	read data of [start_addr+7]
byte14	read data of [start_addr+8]
byte15	read data of [start_addr+9]

## 6.4.2 HID get\_input\_report

Command format:

bmRequestType	bRequest	wValue	wIndex	wLength	Data
8'h A1	8'h 01 (Get_Report)	16'h 01 01 (Rpt Type + Rpt ID)	16'h 00 03 (Interface)	16'h 00 10 (16 bytes)	Report

\*Note: The Start\_Addr value in the input reported is put in the Internal Register Address 0xff. Software must set the value of Start\_Addr Register to make sure Get Input Report can read the proper data you want.

Input Data Format:

byte0	always 1 for org HID event report ID
byte1	for defined HID event, each event occupies one bit
byte2	
byte3	start address of returned data (H-start_addr)
byte4	start address of returned data (L-start_addr)
byte5	bit7
	bit6: UART_INT
	bit5: GPI_INT
	bit4: SPIS_INT(slave mode int)
	bit3: SPIM_INT(master mode int)
	bit2: I2CS_INT(slave mode int)
	bit1: I2CM_INT(master mode int)
	bit0: IR_INT
byte6	read data of [start_addr]
byte7	read data of [start_addr+1]
byte8	read data of [start_addr+2]
byte9	read data of [start_addr+3]
byte10	read data of [start_addr+4]
byte11	read data of [start_addr+5]
byte12	read data of [start_addr+6]
byte13	read data of [start_addr+7]
byte14	read data of [start_addr+8]
byte15	read data of [start_addr+9]

### 6.4.3 HID set\_output\_report

Command format:

bmRequestType	bRequest	wValue	wIndex	wLength	Data
8'h 21	8'h 09 (Set_Report)	16'h 02 01 (Rpt Type + Rpt ID)	16'h 00 03 (Interface)	16'h 00 10 (16 bytes)	Report

\*Note: Byte5 is the beginning address of this write sequence.

Output data format:

byte0	always 1 for org HID event report ID
byte1	start address of write reg (H-start_addr)
byte2	start address of write reg (L-start_addr)
byte3	effective write/read data length (<=12)
byte4	write data to [start_addr]
byte5	write data to [start_addr+1]
byte6	write data to [start_addr+2]
byte7	write data to [start_addr+3]
byte8	write data to [start_addr+4]
byte9	write data to [start_addr+5]
byte10	write data to [start_addr+6]
byte11	write data to [start_addr+7]
byte12	write data to [start_addr+8]
byte13	write data to [start_addr+9]
byte14	write data to [start_addr+10]
byte15	write data to [start_addr+11]

## 6.5 Vendor command definition

### 6.5.1 Vender command read

Command format:

bmRequestType	bRequest	wValue	wIndex	wLength	Data
8'h C3	8'h 02 (Command 2)	16'h -- -- (Starting Address of input Data)	16'h 00 00	16'h 00 - (≤64 bytes)	Data

Input data format:

<b>Byte 0</b>	Data of Reg[wValue]
<b>Byte 1</b>	Data of Reg[wValue + 1]
<b>Byte 2</b>	Data of Reg[wValue + 2]
...	...
<b>Byte 63</b>	Data of Reg[wValue + 63]

### 6.5.2 Vender command write

Command format:

bmRequestType	bRequest	wValue	wIndex	wLength	Data
8'h 43	8'h 01 (Command 1)	16'h -- -- (Start Address of Output Data)	16'h 00 00	16'h 00 - (≤64 bytes)	Data

Output data format:

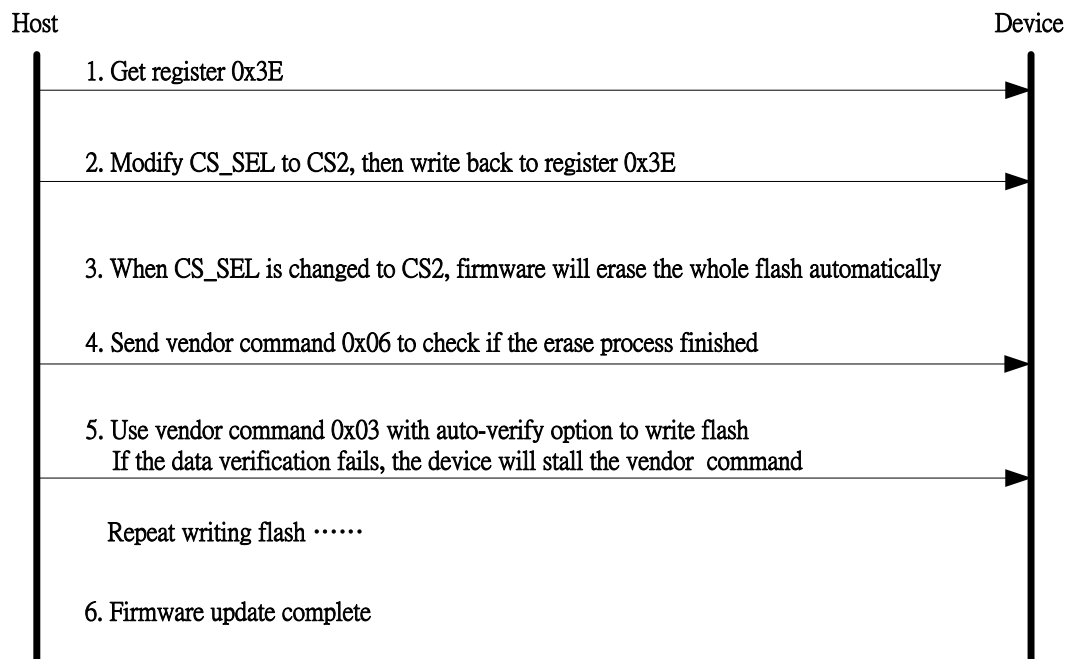
<b>Byte 0</b>	Data of Reg[wValue]
<b>Byte 1</b>	Data of Reg[wValue + 1]
<b>Byte 2</b>	Data of Reg[wValue + 2]
...	...
<b>Byte 63</b>	Data of Reg[wValue + 63]

### 6.5.3 USB vendor requests

bmRequestType	bRequest	wValue	wIndex	wLength	Data
0x43 (Vendor Other)	0x01 Register Write	Address	0x0000	Data Length (≤64 bytes)	Data
0xC3 (Vendor Other)	0x02 Register Read	Address	0x0000	Data Length (≤64 bytes)	Data
0x43 (Vendor Other)	0x03 Flash Write	Address	0x0000: Write only 0x0001: Auto Verify	Data Length (≤64 bytes)	Data
0xC3 (Vendor Other)	0x04 Flash Read	Address	0x0000	Data Length (≤64 bytes)	Data
0x43 (Vendor Other)	0x05 Flash Control	0x0000	0x0001: Chip Erase	0x0000	None
		Address	0x0002: Sector Erase		
0xC3 (Vendor Other)	0x06 Flash Control - Get Status	0x0000	0x0000	0x0001	1-byte data 0x01: Erasing 0x00: Ready



#### 6.5.4 Simple process of firmware update



## 6.6 I<sup>2</sup>S Control description

### 6.6.1 I<sup>2</sup>S Interface setting

I<sup>2</sup>S has three clock signals (MCLK, BCLK and LRCK) and at least one data line depending on the channels supported. One data line contains two channels. Therefore, there is one data line for a 2-channel I<sup>2</sup>S DAC controller. The three I<sup>2</sup>S clock symbols are explained below:

- MCLK = main clock.
- BCLK = bit clock.
- LRCK = left and right clock.

### 6.6.2 Basic of I<sup>2</sup>S bus

Both master and slave modes of I<sup>2</sup>S are supported, namely I<sup>2</sup>S DAC, I<sup>2</sup>S ADC. Master mode means BCLK and LRCK are provided as shown in the left diagram below. On the contrary, slave mode means BCLK and LRCK are provided by the I<sup>2</sup>S codecs as shown in the right diagram below.

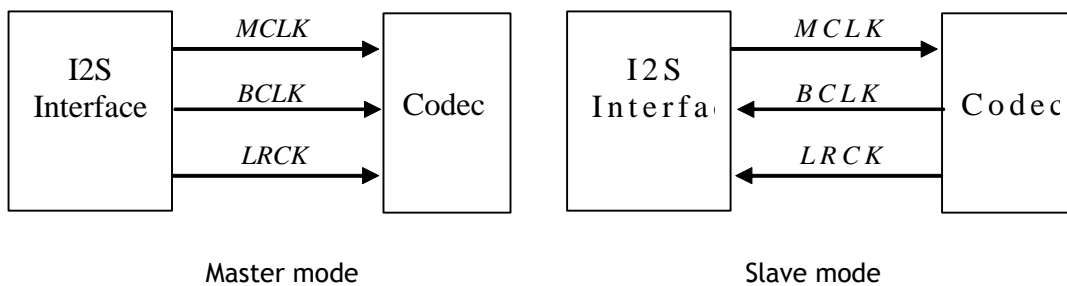


Figure -1 I2S Master/Slave Block Diagram

Below figure illustrates the basic waveform of I<sup>2</sup>S. Note that BCLK is generated at the positive edges of MCLK with the ratios 1, 1/2, 1/4, or 1/8, and LRCK is generated at the negative edges of BCLK with the ratios 1/64, 1/128, 1/256. Data lines are transmitted at the negative edges of BCLK, and are sampled at the positive edges of BCLK by codecs in case of playback or recording.

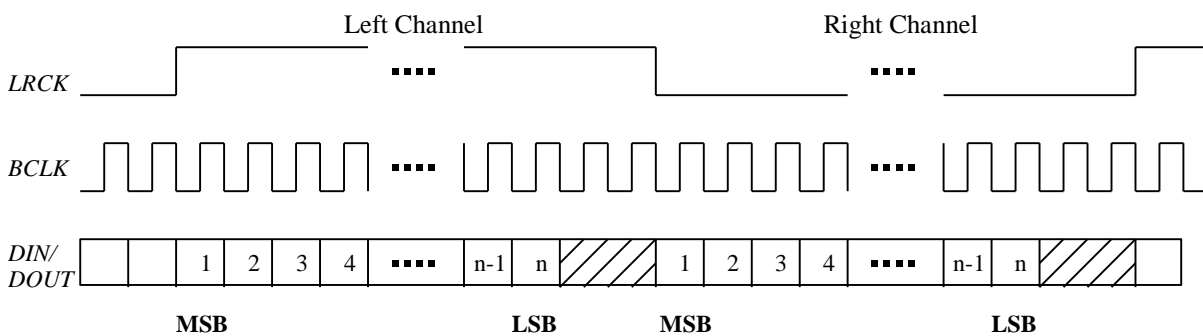


Figure -2 I<sup>2</sup>S Timing Diagram

For the I<sup>2</sup>S DAC controller, the audio data is transformed from the parallel format to the serial format before being transmitted. Then, the bit data is shifted out one by one with the MSB first via DOUT signal. If the I<sup>2</sup>S DAC controller is set to 32 bits, at least 32 BCLK clocks must exist in both LRCK left and right channels. In the same manner, the audio data is transformed from serial format to the parallel format for the I<sup>2</sup>S ADC controller.

### 6.6.3 Left justified mode

In the left justified mode of the I<sup>2</sup>S DAC controller, the MSB data bit is clocked out at the negative edge of BCLK which is aligned to the transition of LRCK. In the left justified mode of I<sup>2</sup>S ADC controllers, the MSB data bit is clocked out by codecs and sampled at the first positive edge of BCLK which follows a LRCK transition. LRCK is high during left channel transmission and low during right channel transmission in the left justified mode.

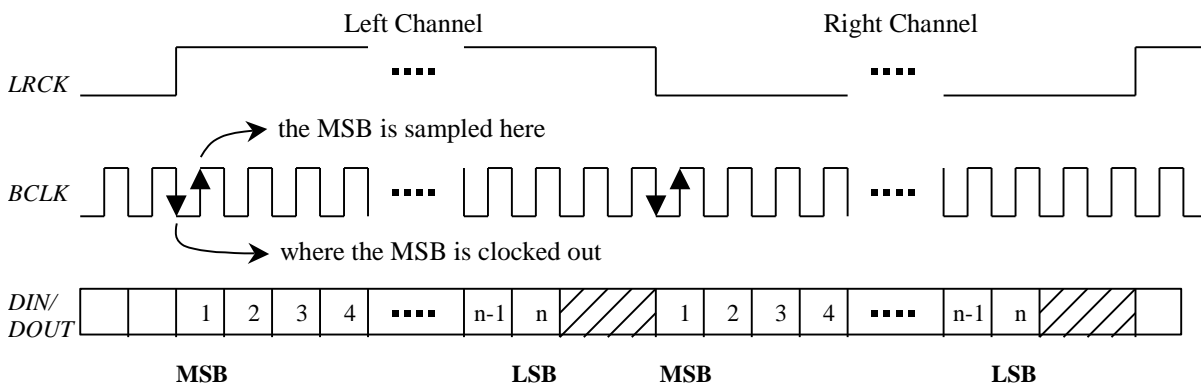


Figure -3 Left Justified Mode Timing Diagram of I<sup>2</sup>S

### 6.6.4 I<sup>2</sup>S Mode

In the I<sup>2</sup>S mode of the I<sup>2</sup>S DAC controller, the MSB data bit is clocked out by CM6535 at the first negative edge of BCLK which follows a LRCK transition. In the same manner, the MSB data bit is clocked out by codecs and sampled at the second positive edge of BCLK which follows a LRCK transition. LRCK is low during left channel transmission and high during right channel transmission in the I<sup>2</sup>S mode.

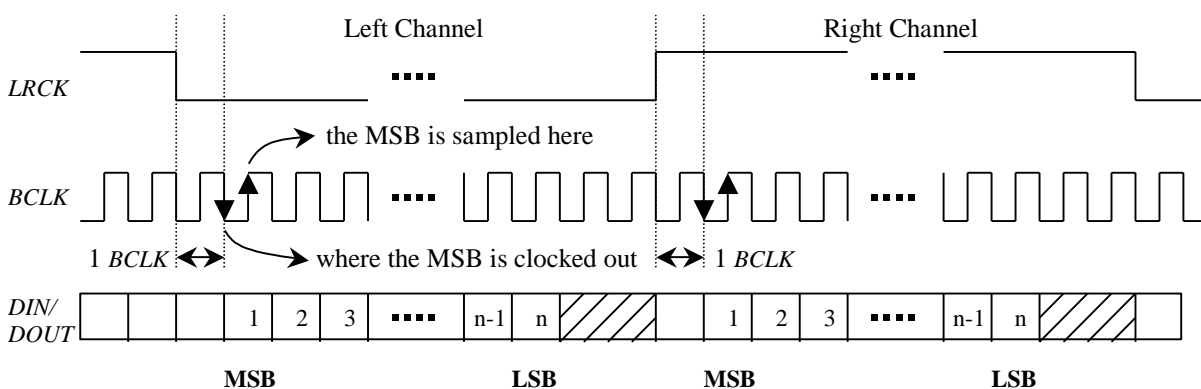
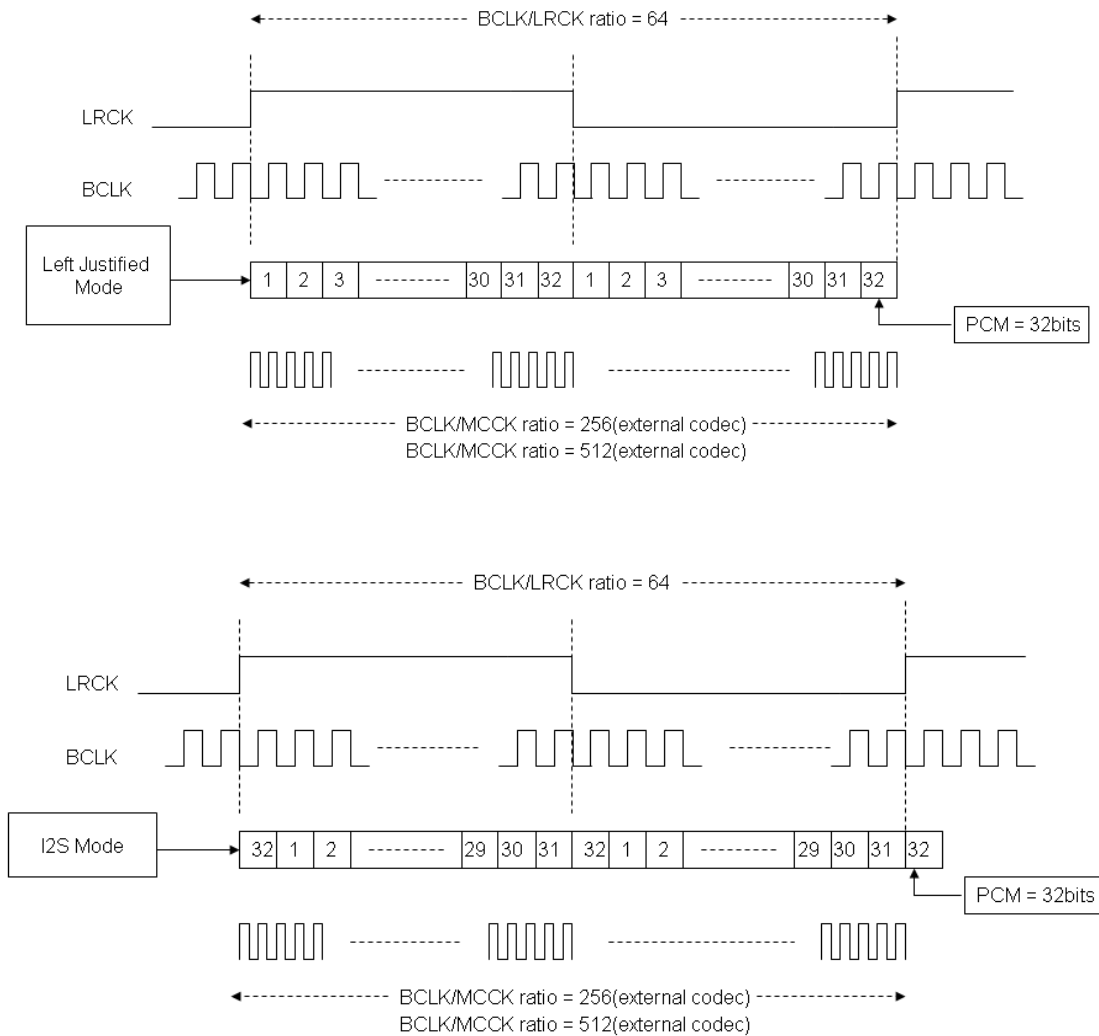


Figure -4 I<sup>2</sup>S Mode Timing Diagram of I<sup>2</sup>S

### 6.6.5 I<sup>2</sup>S MCLK/BCLK/LRCK ratio and format for cm6535

I2S clock format					
	Sampling Freq.	Resolution	Format	BCLK/LRCK	MCLK/LRCK
Master Mode	8/11.025/16/ 22.5/32/44.1/48	16/24 bits	Left Justified / I2S-Mode	64	256/512
	88.2/96	16/24 bits	Left Justified / I2S-Mode	64	256
Slave Mode MCLK from CM6535	8/11.025/16/ 22.5/32/44.1/48	16/24 bits	Left Justified / I2S-Mode	64	256/512
	88.2/96	16/24 bits	Left Justified / I2S-Mode	64	256
Slave Mode MCLK from external	8/11.025/16/ 22.5/32/44.1/48 /88.2/96	16/24 bits	Left Justified / I2S-Mode	64	128/256/512

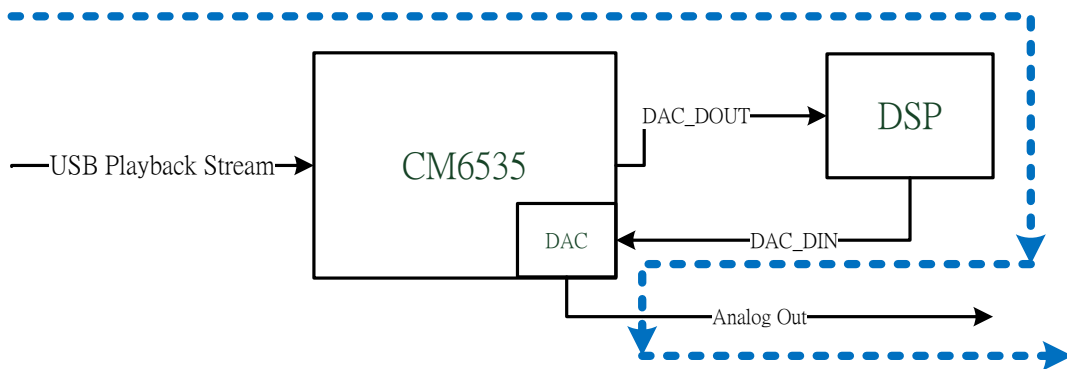
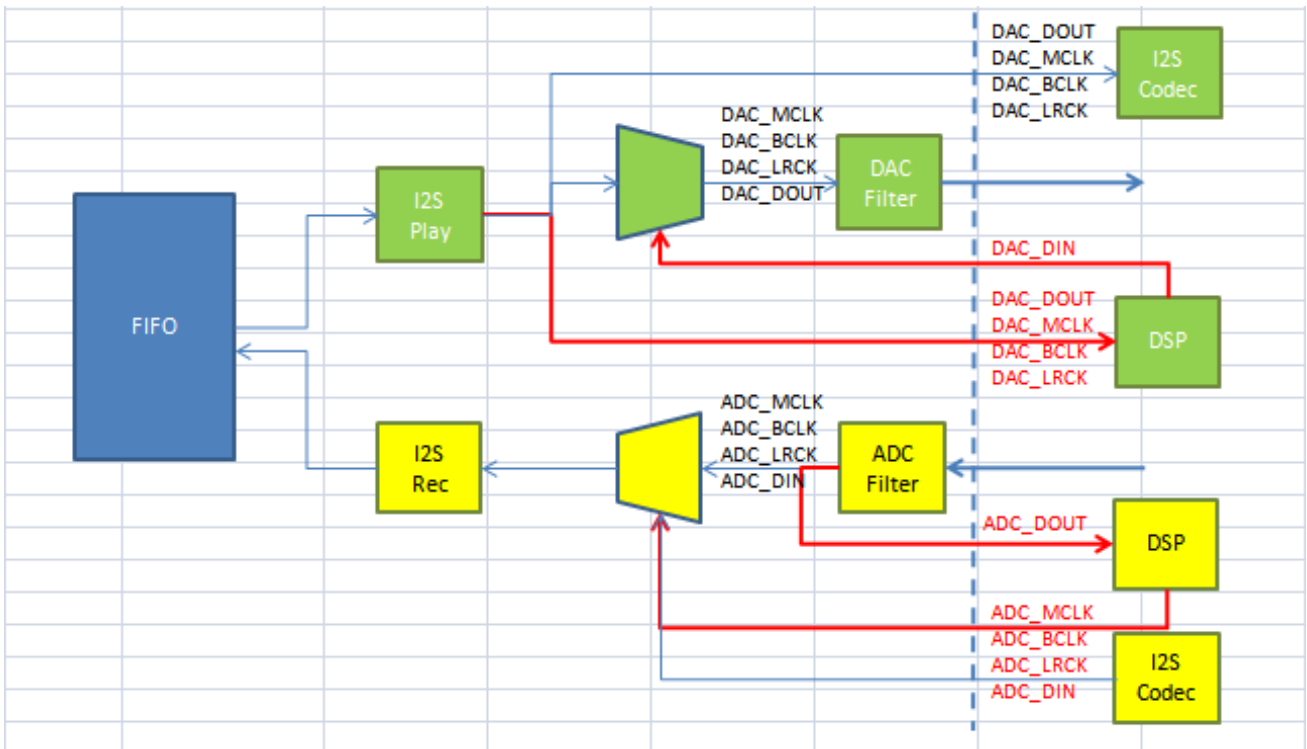


**6.6.6 I2S output enable setting and data stream path**

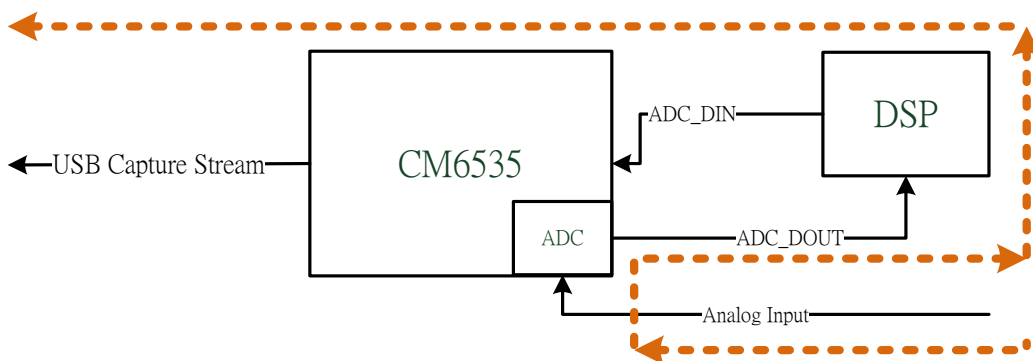
Pin-Out-En	Ext-I2S-master	Ext-I2S-slave with mclk-out	Ext-I2S-slave with mclk-in	Int-I2S-master	Int-I2S-master with DSP
	Codec_sel=1	Codec_sel=1	Codec_sel=1	Codec_sel=2	Codec_sel=3
ADCMK_EXT	0	0	1	0	0
ADC_MKEN	1	1	0	0	1
ADC_BLKEN	1	0	0	0	1
ADC_DSPEN	0	0	0	0	1
DACMK_EXT	0	0	1	0	0
DAC_MKEN	1	1	0	0	1
DAC_BLKEN	1	0	0	0	1
DAC_DOEN	1	1	1	0	1

### 6.6.7 I<sup>2</sup>S DSP mode

The CM6535 I<sup>2</sup>S interface supports DSP mode. The audio signal can be passed through external DSP processing and returned back to internal DAC/ADC for audio data convert.



USB Playback Stream DSP Mode Audio Data Flow



USB Capture Stream DSP Mode Audio Data Flow

## 6.7 SPDIF control description

### 6.7.1 SPDIF frame description

- Audio format: linear 16 bit default.
- Allowed sampling frequencies ( $F_s$ ) of the audio:
  - 44.1 kHz from CD
  - 48 kHz from DAT
  - 32 kHz from DSR
- One way communication: from transmitter to receiver.
- Control information:
  - V (validity) bit: indicates if audio sample is valid.
  - U (user) bit: user free coding i.e. running time song, track number.
  - C (channel status) bit: emphasis, sampling rate and copy permit.
  - P (parity) bit: error detection bit to check for good reception.
- Coding format: bi-phase mark except the headers (preambles), for sync purposes.
- Bandwidth occupation: 100 kHz up to 6 Mhz (no DC!)
- Signal bitrate is 2.8 Mhz ( $F_s=44.1$  kHz), 2Mhz ( $F_s=32$  kHz) and 3.1 Mhz ( $F_s=48$  kHz).
- 

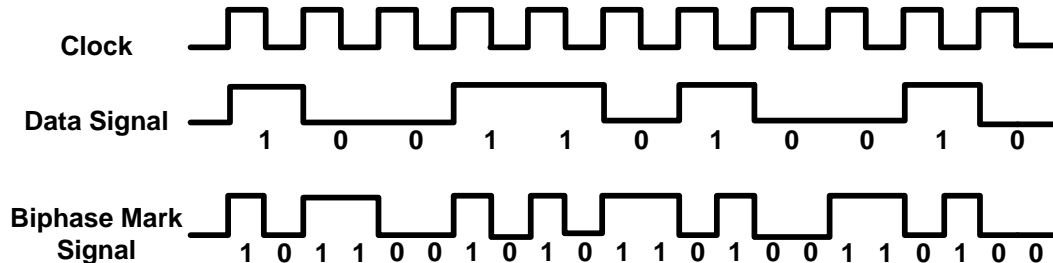


Figure -17 Bi-phase Mark Signal of SPDIF

Preamble	cell-order (last cell "0")	cell-order (last cell "1")
"B"	11101000	00010111
"M"	11100010	00011101
"W"	11100100	00011011

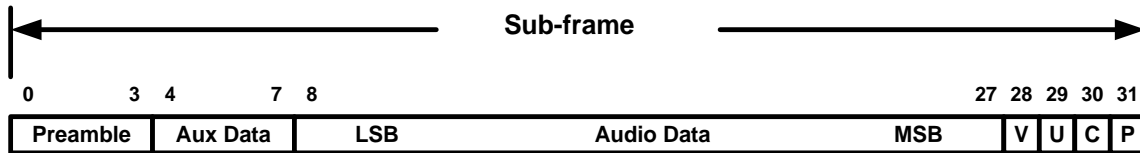
**Preamble B:**  
Marks a word containing data for channel A (left) at the start of the data-block.

**Preamble M:**  
Marks a word with data for channel A that isn't at the start of the data-block.

**Preamble W:**

Marks a word containing data for channel B (right, for stereo). When using more than 2 channels, this could also be any other channel (except for A).

The number of sub-frames that will be used will depend on the number of channels that is being transmitted. A CD-player uses Channels A and B (left/right) and so each frame contains two sub-frames. A block contains 192 frames and starts with a preamble "B":



V: Valid, U: User-Data, C:Channel-Status-Data, P:Parity-Bit

Figure -5 SPDIF Subframe Description

In each block, 384 bits of channel status and subcode info are transmitted. The Channel-status bits are equal for both sub-frames, so actually only 192 useful bits are transmitted:

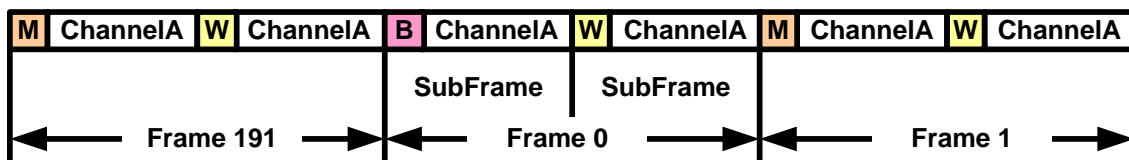


Figure -6 Preamble Description of 192 SPDIF frame

### 6.7.2 SPDIF out channel status

	bit0	bit1	bit2	bit3	bit4	bit5	bit6	bit7
<b>byte0</b>	consumer /professional	audio/ non-audio	copyright	pre-emphasis			mode	
default	0(P)	0(P)	1(P)	0(P)	0(fixed)	0(fixed)	0(fixed)	0(fixed)
<b>byte1</b>	category code							L
default	0(P)	0(P)	0(P)	0(P)	0(P)	0(P)	0(P)	0(P)
<b>byte2</b>	source number				channel number			
default	0(fixed)	0(fixed)	0(fixed)	0(fixed)	0(fixed)	0(fixed)	0(fixed)	0(fixed)
<b>byte3</b>	sampling frequency				clock accuracy		reserved	
default	0(P)	0(P)	0(P)	0(P)	0(fixed)	0(fixed)	0(fixed)	0(fixed)

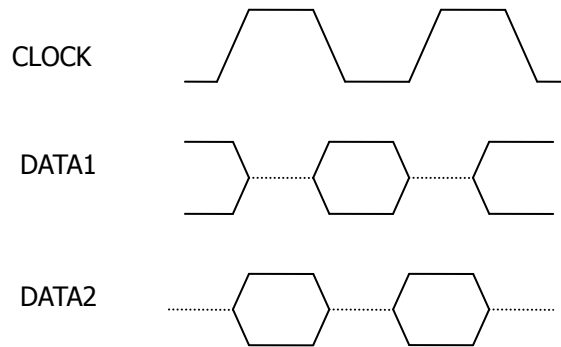
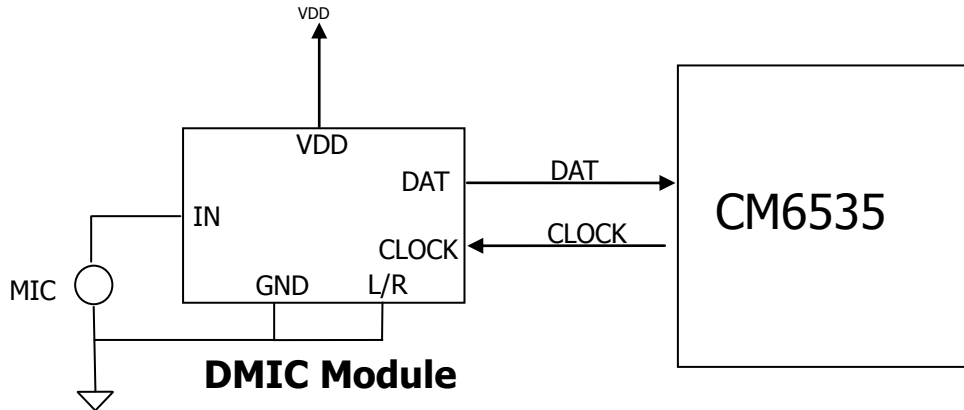
**NOTE**

P: these bits can be programmed by USB HID or USB vendor command



### 6.8 Digital microphone

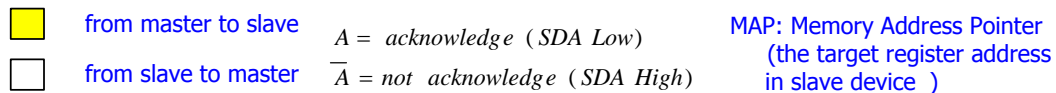
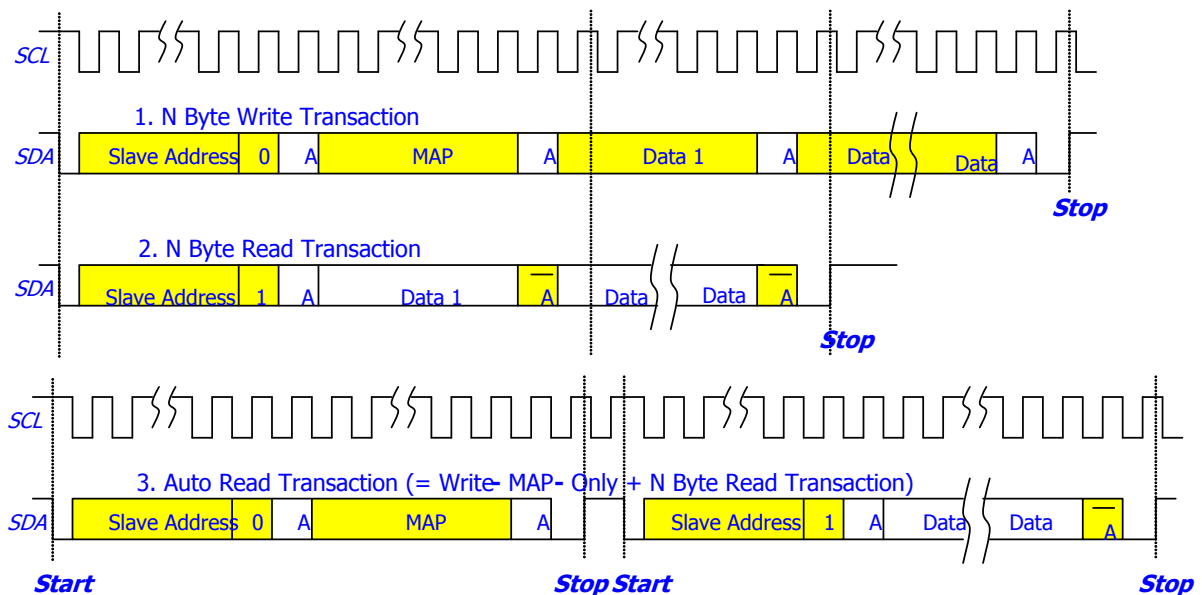
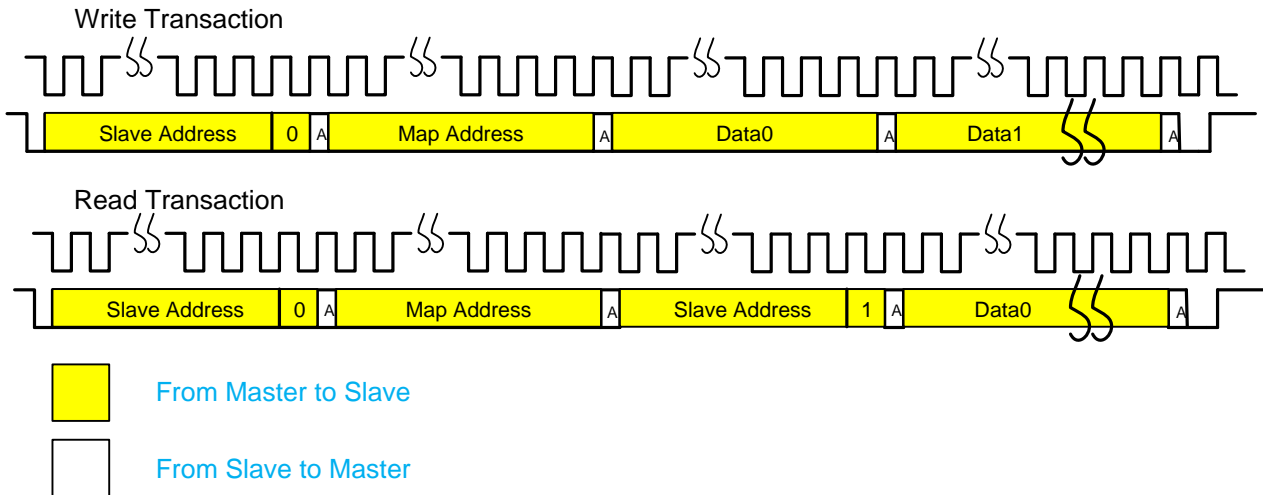
CM6535 provide digital microphone interface for recording. There are two microphone signals transmitted on a single DATA line from DMIC module. The oversampling bit stream output from DMIC module connects to internal decimation filter to generate PCM output.



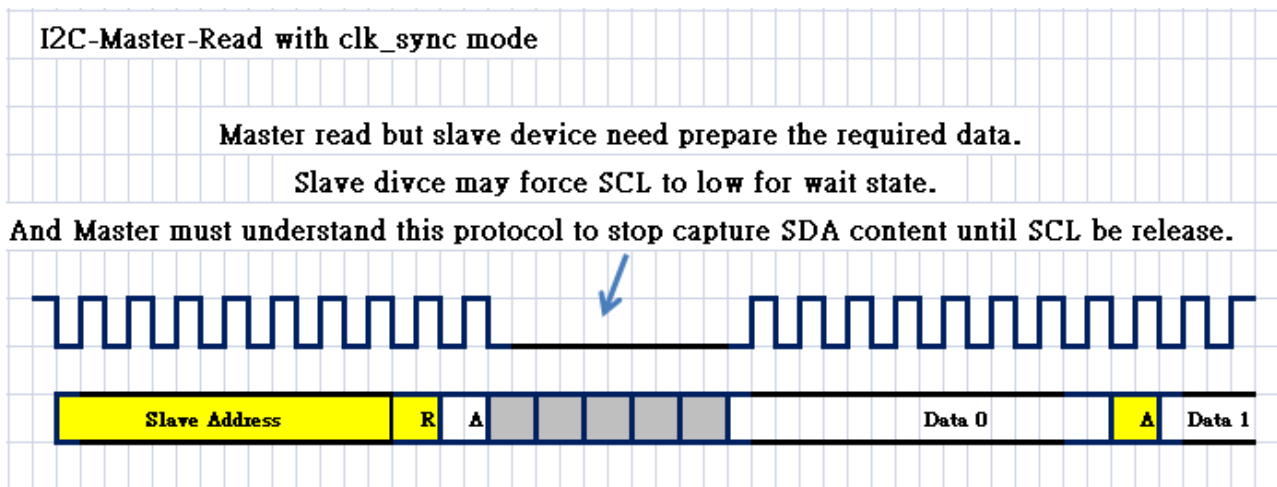
## 6.9 I<sup>2</sup>C interface

### 6.9.1 I<sup>2</sup>C master mode

#### I<sup>2</sup>C protocol timing



### 6.9.2 I2C-master read with clk\_sync mode



### 6.9.3 I<sup>2</sup>C master device address and control register

Address: 0x80

Bits	R/W	Bit Mnemonic	Description	Default
7-1	R/W	SA_reg	The target slave device address.	0xA8 (POR)
0	R/W	SA_reg	1: read, 0: write	1'b0 (POR)

### 6.9.4 I<sup>2</sup>C master memory address pointer (map) register

Address: 0x81

Bits	R/W	Bit Mnemonic	Description	Default
7-0	R/W	MAP_reg	The register low byte address of slave device to be read or written.	8'b0 (POR)

### 6.9.5 I<sup>2</sup>C master memory address pointer (map2) register

Address: 0x82

Bits	R/W	Bit Mnemonic	Description	Default
7-0	R/W	MAP2_reg	The register high byte address of slave device to be read or written.	8'b0 (POR)

### 6.9.6 I<sup>2</sup>C master data register

Address: 0x83 ~ 0x92

Bits	R/W	Bit Mnemonic	Description	Default
7-0	R/W	data0~ data15	The data read from or written to the slave device.	8'b0 (POR)

### 6.9.7 I<sup>2</sup>C Master Control and Status Register 0

Address: 0x93

Bits	R/W	Bit Mnemonic	Description	Default
7-0	R/W	i2c_ctrl_reg1	Data length of read/write command 8'h1: 1 byte, minimum length 8'h2: 2 bytes ... 8'hFE: 254 bytes 8'hFF: 256 bytes, maximum length	0x14 (POR)

### 6.9.8 I<sup>2</sup>C master control and status register 1

Address: 0x94

Bits	R/W	Bit Mnemonic	Description	Default
7	R/W	i2c_start	Trigger I <sup>2</sup> C read/write command 0->1: trigger I <sup>2</sup> C read/write command. 1->0: I <sup>2</sup> C interface had completed current task. 0 : I <sup>2</sup> C interface is idle and ready for work. 1 : I <sup>2</sup> C interface is running.	1'b0 (POR)
6	R/W	i2c_reset	Reset I <sup>2</sup> C interface 0 : Not reset I <sup>2</sup> C interface 1 : Reset I <sup>2</sup> C interface	1'b0 (POR)
5	R/W	map_len	MAP length 0 : 8-bit MAP 1 : 16-bit MAP	1'b0 (POR)
4	R/W	clk_sync	Clock Synchronization 0: off 1: on, when slave pull-down SCLK, master would pause	1'b1 (POR)
3	R/W	fast_std	I <sup>2</sup> C speed mode 0 : Standard mode, 100kHz 1 : Fast mode, 400kHz	1'b0 (POR)
2	R/W	map_only	MAP only write command 0 : Write command. 1 : MAP only write command.	1'b0 (POR)
1	R/W	auto_rd	Auto read command 0 : Read command. 1 : Auto read command.	1'b1 (POR)
0	R	i2c_ctrl_reg2	Slave NACK error occur 1 : No error 2 : Slave NACK error occur	1'b0 (POR)

\*Note: Write-MAP-Only: An operation which only writes the register MAP the slave device

### 6.9.9 I<sup>2</sup>C master download control and status register

Address: 0x95

Bits	R/W	Bit Mnemonic	Description	Default
7	R/W	i2c_mas_sel	I2C master/slave select	1'b1 (POR)
6	RO WO	Flag_8byte Flag_ready	Flag_8byte (RO): Flag to status I2C is transmitting at 1 <sup>st</sup> 8 bytes data or 2 <sup>nd</sup>	1'b0 (POR)

			8 bytes data. If the flag index it's transmitting the 2 <sup>nd</sup> 8 bytes data, then F/W can prepare the next 8 bytes data into 1 <sup>st</sup> 8byte buffer.  Flag_ready (WO): Flag to index F/W has prepared next data ready. After prepare done, F/W need set this bit to index the data had been written. If F/W didn't catch on when all data has been transmitted, the I <sup>2</sup> C clock would be keep low to till it ready.	
5:4	R/W	LD_BLOCK	Download to which block of SRAM. 00: Load to 1 <sup>st</sup> 8KB block. 01: Load to 2 <sup>nd</sup> 8KB block. 10: Load to 3 <sup>rd</sup> 8KB block. 11: Load to 4 <sup>th</sup> 8KB block.	2'b00 (POR)
3	RO	CHKSUM_ERR	Check sum Error 1. If in LD_PHASE, the check sum value was calculated by I <sup>2</sup> C load data. 2. If in CHK_PHASE, the check sum value was calculated by SRAM read content.	1'b0
2	RO	CHK_FINISH	CHECK phase done 1: finish download data CHECK	1'b0
1	R/W	CHK_PHASE	MCU select CHECK phase to read SRAM data for check-sum check. 1: enable (after disable LD_PHASE) 0: set 0 after complete	1'b0 (POR)
0	R/W	LD_PHASE	MCU select LOAD phase to access SRAM from download. 1: enable 0: set 0 after complete	1'b0 (POR)

### 6.9.10 I<sup>2</sup>C master clock period setting register

Address: 0x96

Bits	R/W	Bit Mnemonic	Description	Default
7	W	CHG_ENABLE	MCU can program I <sup>2</sup> C clock; 1'b1: enable	1'b0 (POR)
6	R/W	LD_SEL	MCU download select 1'b0 : SPI download 1'b1 : I <sup>2</sup> C download	1'b0 (POR)
5-0	W	CHG_FREQ	Set I <sup>2</sup> C-master clock period. The clock period=83.3*5*(CHG_FREQ+1) Ex: CHG_FREQ = 6'd48 I <sup>2</sup> C Clock Period=83.3*5*(48+1)=20408ns HW limitation CHG_FREQ >= 6'h3	6'h0 (POR)

### 6.9.11 I<sup>2</sup>C slave mode

“7-bit slave address = 7'b0001000 to 7'b0001011”

CM6535 can serve as a slave device with bit rate up to 400Kbps (fast mode). External MCU can write data to CM6535 or read data from CM6535 (No Size limitation in I<sup>2</sup>C Interface). Since host side and MCU can both access to all the internal registers.

CM6535 will transfer an interrupt to internal MCU until the INT bit of I<sup>2</sup>C control register has been cleaned by internal MCU. The interrupt will be triggered when write transaction is done or detect read-slave-address.

The main usage of 2-wire slave bus is to become the interface between the CM6535 and an external micro control unit (EMCU).

### 6.9.12 I<sup>2</sup>C slave data register

Address: 30-33h

Bits	R/W	Bit Mnemonic	Description	Default
31:0	R/W	MCU_data0-F	The data received from or transmitted to master device. This register cannot be written when 2-wire slave serial bus status is busy.	0000h (POR)

### 6.9.13 I<sup>2</sup>C slave status register

Address: 34-35h

Bits	R/W	Bit Mnemonic	Description	Default
15			Reserved	1b
14:12	R		Reserved	0h
11	R/W	Thld_int_mask	Threshold interrupt mask: 1: mask; 0: non-mask ; default :0	0b (POR)
10	R	Write_data_ready	Interrupt happened, auto-cleared after read	0b (POR)
9	R/W	I2c_s_reset	0: 2-wire serial bus in normal operation (default) 1: 2-wire serial bus in reset state	0b (POR)
8	R/W	Dri_tran_st	<b>Initiated transaction status</b> 1: The last initiated transaction failed, write 1 to clear.	0b (POR)
7	R/W	Rd_tran_st	<b>Read transaction status</b> 1: a new read transaction received, write 1 to clear.	0b (POR)
6	R/W	Wr_tran_st	<b>Write transaction status</b> 1: a new write transaction received, write 1 to clear.	0b (POR)
5:1	R	Data_len	The data length of the last write transaction received, 00000: 1 byte (MAP only) 00001: 2 byte (MAP + 1 byte data) 00010: 3 byte (MAP + 2 byte data) 00011: 4 byte (MAP + 3 byte data) 00100: 5 byte (MAP + 4 byte data) ... 01111: 16 byte (MAP + 15 byte data) 10000: 17 byte (MAP + 16 byte data) Others: Reserved	0b (POR)
0	R	busy	The 2-wire serial bus status, 0: idle, 1: busy	0b (POR)

\*\*Note: When I<sup>2</sup>C issue interrupt to MCU, MCU needs to read the data numbers that threshold data count specified. And waits another interrupt until the total data transfer completed.

### 6.9.14 I<sup>2</sup>C slave memory address pointer (map) register

Address: 36h

Bits	R/W	Bit Mnemonic	Description	Default
7:0	R/W	MCU_MAP	The memory addresses of the read or write transactions from MCU. Address 0 is reserved for initiated transaction.	00h (POR)

### 6.9.15 I<sup>2</sup>C slave status register

Address: 37h

Bits	R/W	Bit Mnemonic	Description	Default
7	R/W	Sync_en	<b>Synchronization Enable</b> 1: enable (the synchronization selection bit will decide the method adopted). 0: disable (MCU and ARC should guarantee no data lost themselves).	1b (POR)
6	R/W	Int_polarity	The polarity control of pin INT_OUT (initiated transaction interrupt), 0: high active, 1: low active	0b (POR)
5:4	R/W	Slave_addr	Slave Device Address 00: select 0001000 (10h) as slave address 01: select 0001001 (12h) as slave address 10: select 0001010 (14h) as slave address 11: select 0001011 (16h) as slave address	01b (POR)
3	R/W	Sync_sel	<b>Synchronization Method Selection</b> 1: Data synchronization. When this bit is one, if the current transaction has not been serviced by ARC, the clock line of the 2-wire serial bus will be pulled low. Under this situation, the MCU cannot start a new transaction or continue the current read transaction until the clock line goes back to high.  0: Ready pin synchronization. If the MCU cannot support open drain 2-wire serial bus, this bit should be set to zero. In this instance, the MCU cannot start a new transaction or continue the current read transaction until the pin XSLAVE_RDY goes high to signal that the driver has serviced the current transaction. Driver should use "driver acknowledge" to signal the processing of the current transaction is completed.	1b (POR)
2	R/W	Int_mask	<b>Interrupt Mask</b> 0: interrupt will happen at a read/write transaction received or a driver initiated transaction failed 1: interrupt will not happen	0b (POR)
1	R/W	Dri_init_tran	<b>Driver initiated transaction</b> Write 1 to start Driver initiated transaction. This bit is cleared automatically, after ARC initiated transaction starts. The ARC initiated transaction should be issued only when the 2-wire slave serial bus is idle. Otherwise, it will be ignored. The ARC initiated transaction will cause pin INT_OUT to send out an interrupt for MCU. After MCU responded with a Write-MAP-Address-0-Only transaction and a subsequent read transaction, interrupt	0b (POR)

			INT_OUT will be de-asserted. However, if the MCU does not act as what is expected (a write MAP-Address-0-Only transaction and a subsequent read transaction), the interrupt INT_OUT will be still de-asserted, but the ARC initiated transaction status is used to signal a fail status to ARC. In this case, the driver should consider to repeat the failed Driver initiated transaction again.	
0	R/W	ack	Driver Acknowledge means driver has processed the current transaction. Write 1 to acknowledge. This bit will be cleared automatically.	0b (POR)

I2C example for Master mode:

Write 2 bytes:

(Slave address = 92, MAP address = 01, Data = 55, AA)

- Write 0x80 = 92 (Slave address)
- Write 0x81 = 01 (MAP address)
- Write 0x83-0x84 = 55 AA (Data register)
- Write 0x93 = 02 (Data length 2 bytes)
- Write 0x94 = 92 (I2C start)

Read 2 bytes:

(Slave address = 92, MAP address = 01)

- Write 0x80 = 93 (Slave address)
- Write 0x81 = 01 (MAP address)
- Write 0x93 = 02 (Data length 2 bytes)
- Write 0x94 = 92 (I2C start)
- Read 0x83-0x84 (Data register)



## 6.10 SPI interface

The SPI interface is used to transfer control data between the CM6535 and external codec.

In a SPI interface there is only one central clock source producing a reference clock to which SPI data processing is synchronized. This clock is often referred to as the MCU clock, e.g. for SPI clock 12 Mhz, when the MCU clock is equal to 48Mhz and SPI clock div4.

Example	MCU CLK 0xB5[2:0]	48M(3'b100)	24M(3'b011)	12M(3'b010)	6M(3'b001)	3M(3'b000)
SPI clock 0x3D[4:3]=00(div4)	SPI CLK	12M	6M	3M	1.5M	750k
SPI clock 0x3D[4:3]=01(div12)	SPI CLK	4M	2M	1M	500k	250k
SPI clock 0x3D[4:3]=10(div16)	SPI CLK	3M	1.5M	769k	375k	187.5k
SPI clock 0x3D[4:3]=11(div20)	SPI CLK	2.4M	1.2M	625k	300k	150k

### 6.10.1 SPI Registers Descriptions

Address: 38-3bh

Bits	R/W	Bit Mnemonic	Description	default
31-0	R/W	Data0~Data3	The data (which include address, r/w, and data bits) written to or read from the codec. The bits in this register should be interpreted according to the individual codec. The content of this register, after a write operation completes, has no meaning. The content of this register, after a read operation completes, should reference the document of individual codec to see how many bits in this register is valid.	0x0000 0000 (POR)

### 6.10.2 SPI Control Register 0

Address: 3ch

Bits	R/W	Bit Mnemonic	Description	default
7	R/W	slv_mst	SPI master/slave mode 0: master mode 1: slave mode	1'b1 (POR)
6	R/W	long_mode	SPI slave address length 0: 1-byte address 1: 2-byte address	1'b1 (POR)
5	--	--	Reserved	1'b0 (POR)
4	--	--	Reserved	1'b0 (POR)
3	R/W	si_mode	Serial interface mode 0: normal SPI mode 1: Serial interface mode	1'b0 (POR)
2	R/W	si_mode_rs	Serial interface RS/A0 output 0: RS/A0==0 for 8 <sup>th</sup> bit 1: RS/A0==1 for 8 <sup>th</sup> bit	1'b0 (POR)
1	RO	flag_rd	Flag read 0: mcu can't read spi data 1:mcu need to read spi data	1'b0
0	RO	flag_wr	Flag write 0: mcu can't write spi data 1:mcu need to write spi data	1'b0

### 6.10.3 SPI control register 1

Address: 3dh

Bits	R/W	Bit Mnemonic	Description	default
7	R/W	spi_start	Trigger SPI read/write command 0->1: trigger SPI read/write command 1->0: SPI interface had completed current task 0 : SPI interface is idle and ready for work 1 : SPI interface is running	1'b0 (POR)
6	R/W	spi_lh_edge	SPI CEN control 0: codec latch control data at SPI clock low (default) 1: codec latch control data at SPI clock high	1'b1 (POR)
5	R/W	Spi_flash_rd_wr	SPI Flash Read/Write 0:spi flash read (default) 1:spi flash write	1'b0 (POR)
4-3	R/W	frq_sel	SPI clock period 2'b00: by MCU clk div 4 2'b01: by MCU clk div 12 2'b10: by MCU clk div 16 2'b11: by MCU clk div 20	2'b0 (POR)
2	R/W	first_leading_bit	First data bit of 2-bit leading mode	1'b0(POR)
1	R/W	second_leading_bit	Second data bit of 2-bit leading mode	1'b0(POR)
0	R/W	leading_bit_mode	RA8815 2-bit leading mode 0: No leading bits 1: 2-bit leading for each transaction	1'b0 (POR)

### 6.10.4 SPI interrupt

Address: 3eh

Bits	R/W	Bit Mnemonic	Description	default
7	R/W	CPOL	Clock Polarity	1'b1(POR)
6	R/W	CPHA	Clock Phase	1'b1(POR)
5-4	R/W	CS_SEL	SPI CS Select 00: CS0 01: CS1 10: CS2(Default) 11: CS2	2'b10(POR)
3	RO	slv_hid	SPI slave flag to HID interrupt 0: access to internal register 1: flag to HID interrupt	1'b0 (POR)
2	RO	slv_rw	SPI slave read/write flag 0: read 1: write	1'b0 (POR)
1	R/W	slv_int_en	SPI slave interrupt 0: no interrupt 1: interrupt (Default) Ext MCU can program this bit to make slave mode interrupt	1'b1 (POR)
0	R/W	mst_int_en	SPI master interrupt enable 0: disable 1: enable (Default) Control HW to make master mode interrupt	1'b1 (POR)

\*\*Note:

1. Bit[1]: When SPI interface is in slave mode, SPI interrupt will happened when bit[1] ==1, which is written by external MPU via SPI. Interrupt (HID) would be cleaned once address 0x10 was written.

2. Bit[0]: When SPI interface is in master mode, SPI interrupt will happened when bit[0] ==1 and every SPI master command completed. Interrupt (HID) would be cleaned once address 0x10 was written.

### 6.10.5 SPI Control Register 3

Address: 3fh

Bits	R/W	Bit Mnemonic	Description	default
7-0	R/W	data_len	The data length of read/write, 0000_0000: Reserved 0000_0001: 1 bytes 0000_0010: 2 bytes 0000_0011: 3 bytes . . . 1111_1111:255 bytes	8'd0 (POR)

SPI example for master mode:

Write 3 bytes:

(Address = 92, DATA = 55,AA)

Write 0x38-0x3A = 92 55 AA (Data register)

Write 0x3F = 03 (Write 3 bytes length)

Write 0x3D = A0 (SPI start)

Read 3 bytes:

(Address = 92)

Write 0x38= 92 (Data register)

Write 0x3F = 03 (Read 3 bytes length)

Write 0x3D = 80 (SPI start)

Read 0x38-0x3A

## 6.11 GPIO

### 6.11.1 GPO data register

Address Offset: C0-C1h

Bits	R/W	Bit Mnemonic	Description	Default
15:0	R/W	GPO_0_reg GPO_1_reg	GPO data register which represents	16'h0 (POR)

### 6.11.2 GPI data register

Address Offset: C2-C3h

Bits	R/W	Bit Mnemonic	Description	Default
15:0	R		GPI data register which represents	16'h0 (POR)

### 6.11.3 GPIO direction control register

Address Offset: C4-C5h

Bits	R/W	Bit Mnemonic	Description	Default
15:0	R/W	GPOE_0 GPOE_1	GPIO output enable register which represents for pin XGPIO[15:0] 1: the corresponding pins are used as outputs 0: the corresponding pins are used as inputs	16'h0 (POR)

### 6.11.4 GPIO interrupt enable mask register

Address Offset: C6-C7h

Bits	R/W	Bit Mnemonic	Description	Default
15:0	R/W	GPI_EN	GPIO_E, GPIO interrupt enable mask which represents for pins, XGPIO[15:0] 1: enable, 0: disable	16'h0 (POR)

### 6.11.5 GPIO debouncing register

Address Offset: C8-C9h

Default Value: 0000h (MSB -&gt; LSB)

Bits	R/W	Bit Mnemonic	Description	Default
15:0	R/W	GPI_Deb	Enable the clock scale of millisecond (32 ms) for debouncing, default 1 1: enable, 0: disable	16'h0 (POR)

### 6.11.6 GPI remote choose

Address Offset: 0xE2-E3h

Bits	R/W	Bit Mnemonic	Description	default
15:0	R/W	GPI_RWL GPI_RWH	D0==1'b1:GPI[0] remote wake up enabled D1==1'b1:GPI[1] remote wake up enabled D2==1'b1:GPI[2] remote wake up	16'h0 (POR)

			enabled D3==1'b1:GPI[3] remote wake up enabled D4==1'b1:GPI[4] remote wake up enabled D5==1'b1:GPI[5] remote wake up enabled D6==1'b1:GPI[6] remote wake up enabled D7==1'b1:GPI[7] remote wake up enabled D8==1'b1:GPI[8] remote wake up enabled D9==1'b1:GPI[9] remote wake up enabled D10==1'b1:GPI[10] remote wake up up enabled D11==1'b1:GPI[11] remote wake up up enabled D12==1'b1:GPI[12] remote wake up up enabled D13==1'b1:GPI[13] remote wake up up enabled D14==1'b1:GPI[14] remote wake up up enabled D15==1'b1:GPI[15] remote wake up up enabled	
--	--	--	--	--

### 6.11.7 GPIO pull-up/down

Address Offset: 0xE4

Bits	R/W	Bit Mnemonic	Description	Default
7	R/W	GPIO_PD0[7]	GPIO_7 pad control 1'b1 : floating ; 1'b0 : 75k pull up	1'b1(POR)
6	R/W	GPIO_PD0[6]	GPIO_6 pad control 1'b1 : floating ; 1'b0 : 75k pull up	1'b1(POR)
5	R/W	GPIO_PD0[5]	GPIO_5 pad control 1'b1 : floating ; 1'b0 : 75k pull up	1'b1(POR)
4	R/W	GPIO_PD0[4]	GPIO_4 pad control 1'b1 : floating ; 1'b0 : 75k pull up	1'b1(POR)
3	R/W	GPIO_PD0[3]	GPIO_3 pad control 1'b1 : floating ; 1'b0 : 75k pull up	1'b1(POR)
2	R/W	GPIO_PD0[2]	GPIO_2 pad control 1'b1 : floating ; 1'b0 : 75k pull up	1'b1(POR)
1	R/W	GPIO_PD0[1]	GPIO_1 pad control 1'b1 : floating ; 1'b0 : 75k pull up	1'b1(POR)
0	R/W	GPIO_PD0[0]	GPIO_0 pad control 1'b1 : floating ; 1'b0 : 75k pull up	1'b1(POR)

Address Offset: 0xE5

Bits	R/W	Bit Mnemonic	Description	Default
7	R/W	GPIO_PD1[7]	GPIO_15 pad control 1'b1 : floating ; 1'b0 : 75k pull up	1'b1 (POR)
6	R/W	GPIO_PD1[6]	GPIO_14 pad control 1'b1 : floating ; 1'b0 : 75k pull up	1'b1(POR)
5	R/W	GPIO_PD1[5]	GPIO_13 pad control 1'b1 : floating ; 1'b0 : 75k pull up	1'b1(POR)

4	R/W	GPIO_PD1[4]	GPIO_12 pad control 1'b1 : floating ; 1'b0 : 75k pull up	1'b1(POR)
3	R/W	GPIO_PD1[3]	GPIO_11 pad control 1'b1 : floating ; 1'b0 : 75k pull up	1'b1(POR)
2	R/W	GPIO_PD1[2]	GPIO_10 pad control 1'b1 : floating ; 1'b0 : 75k pull up	1'b1(POR)
1	R/W	GPIO_PD1[1]	GPIO_9 pad control 1'b1 : floating ; 1'b0 : 75k pull up	1'b1(POR)
0	R/W	GPIO_PD1[0]	GPIO_8 pad control 1'b1 : floating ; 1'b0 : 75k pull up	1'b1(POR)

Address Offset: 0xE6

Bits	R/W	Bit Mnemonic	Description	Default
7	R/W	GPIO_PD2[7]	GPIO23 pad control 1'b1 : floating ; 1'b0 : 75k pull up	1'b1 (POR)
6	R/W	GPIO_PD2[6]	GPIO_22 pad control 1'b1 : floating ; 1'b0 : 75k pull up	1'b1(POR)
5	R/W	GPIO_PD2[5]	GPIO_21 pad control 1'b1 : floating ; 1'b0 : 75k pull up	1'b1(POR)
4	R/W	GPIO_PD2[4]	GPIO_20 pad control 1'b1 : floating ; 1'b0 : 75k pull up	1'b1(POR)
3	R/W	GPIO_PD2[3]	GPIO_19 pad control 1'b1 : floating ; 1'b0 : 75k pull up	1'b1(POR)
2	R/W	GPIO_PD2[2]	GPIO_18 pad control 1'b1 : floating ; 1'b0 : 75k pull up	1'b1(POR)
1	R/W	GPIO_PD2[1]	GPIO_17 pad control 1'b1 : floating ; 1'b0 : 75k pull up	1'b1(POR)
0	R/W	GPIO_PD2[0]	GPIO_16 pad control 1'b1 : floating ; 1'b0 : 75k pull up	1'b1(POR)

### 6.12 Arbitrary sine-tone generator

There are four (4) memory banks to store user defined waveform in CM6535 design. This function would generate waveform data that is desired to be heard from earphones. For example, when function keys were pressed or do other operations, user can predefine two different waveforms with 96K and 88.2K sampling rates and stores it in corresponding memory banks. The waveform data format must comply with the following specifications:

1. 16 bits PCM with 2's complement
2. First word must define waveform length (Length[9:0]= {byte1[2:0], byte0[7:0]})
3. Waveform length must less than 2046
4. Four memory banks

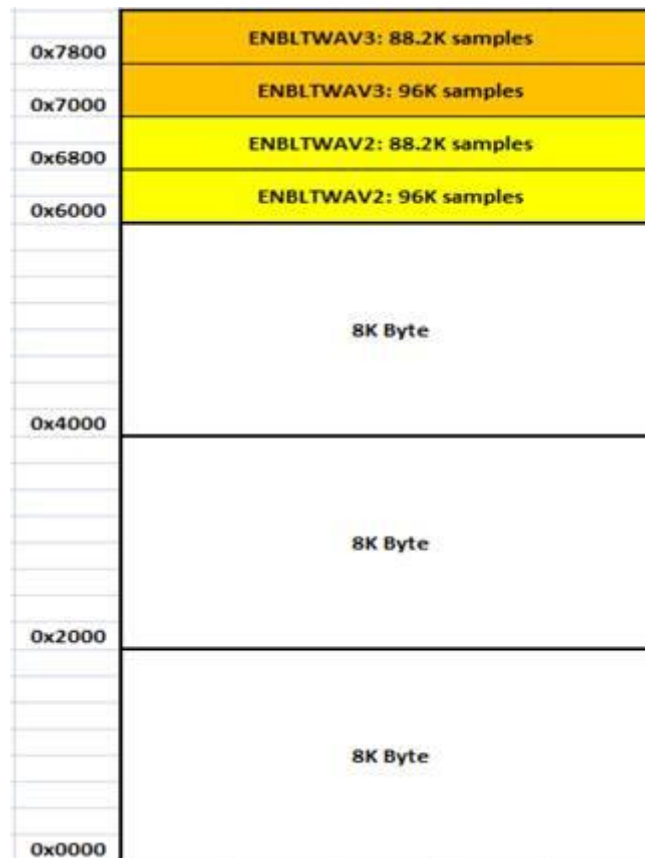
Bank1: 0x6000-0x67FF (Length: 0x6000-0x6001, Waveform data 0x6002-0x67FF)

Bank2: 0x6800-0x6FFF (Length: 0x6800-0x6801, Waveform data 0x6802-0x6FFF)

Bank3: 0x7000-0x77FF (Length: 0x7000-0x7001, Waveform data 0x7002-0x77FF)

Bank4: 0x7800-0x7FFF (Length: 0x7800-0x7801, Waveform data 0x7802-0x7FFF)

Generating sine-tone is based on a look-up table and the step size of look-up table for different sampling rates is adjusted automatically.

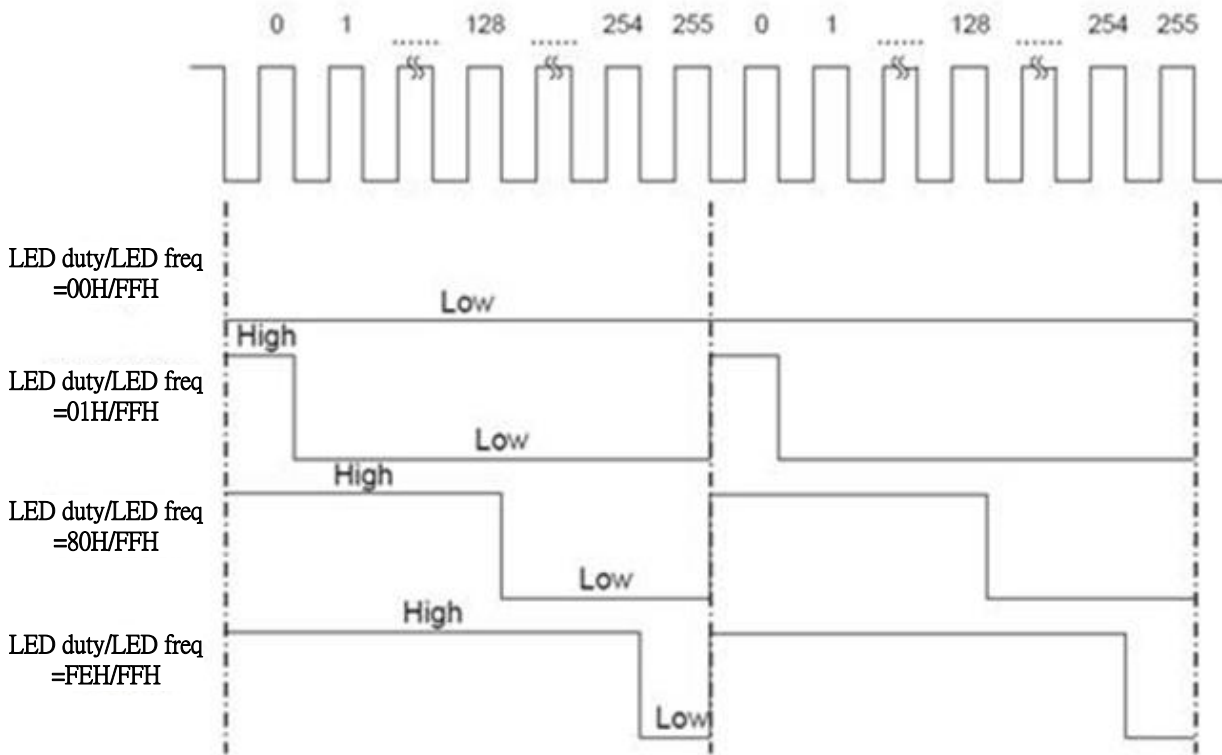


### 6.13 Tri-colored led control setting

PWM function is generated by LED counter and output the PWM signal to GPIO pin. The 8-bit counter counts modulus 256 controlled by LED freq, LED duty register. The LED unit register controls PWM resolution. When the LED freq register value is equal to the LED duty register (high), the PWM output also goes high. When the LED freq, LED duty register reaches zero, the PWM output is forced to go low. The low-to-high ratio (duty) of the PWM output is LED duty/LED freq.

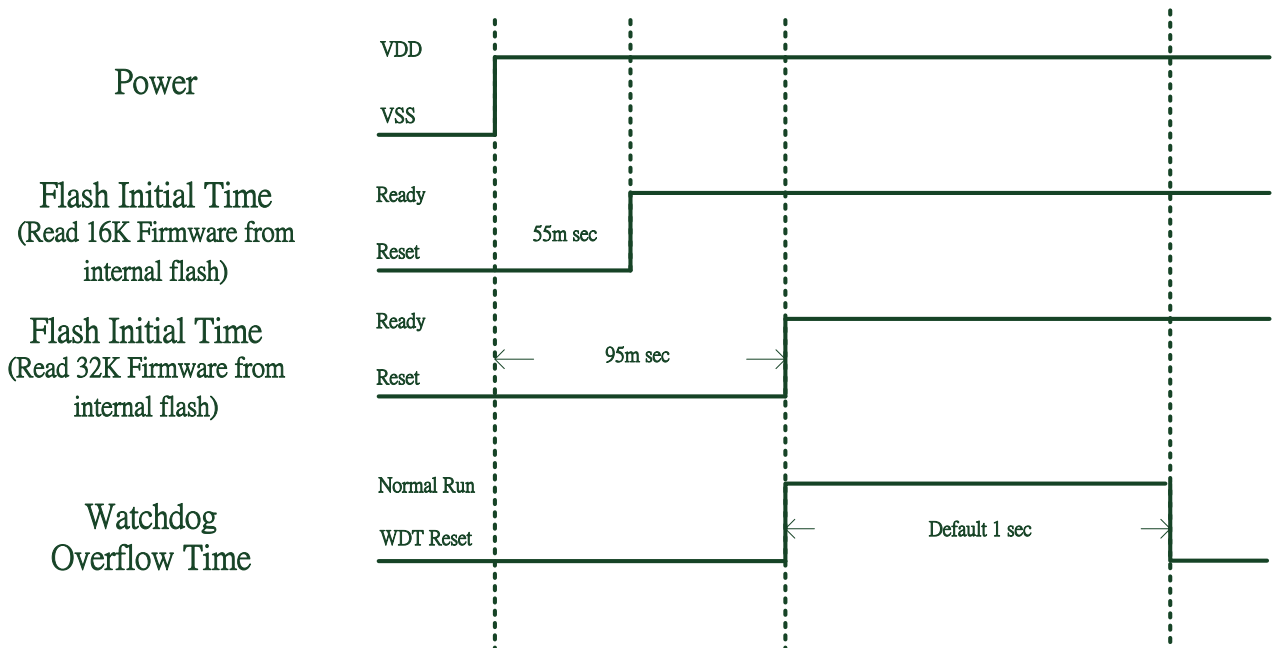
LED duty	LED freq	LED unit (256 step)	PWM duty range
00H	FFH	00:10.5ms	00H/FFH -FEH/FFH
01H	FFH	01:5.45ms	
80H	FFH	10:2.73ms	
FEH	FFH	11:1.36ms	

The Output Duty of PWM has different timings. Duty range is from 0/256-255/256.





## 6.14 Reset



### 6.14.1 Watchdog reset timer

The watchdog timer is a 15-bit counter that is incremented every 24 or 384 clock cycles. It is used to provide the system supervision in case of software or hardware upset. If the software was not able to refresh the watchdog timer after 786336 or 12581376 clock cycles (65ms or 1s when using 12MHz clock), an internal reset is generated.

## 7 Electrical characteristics

### 7.1 Absolute maximum ratings

Test conditions: DV50 = 5V, AV50 = 5V, DGND =0V, TA=+25oC

Parameter	Symbol	Min.	Typ	Max.	Unit
Storage temperature	T <sub>S</sub>	-25	-	150	°C
Operating ambient temperature	T <sub>A</sub>	-15	25	70	°C
Digital supply voltage(DV50)		4.5	5.0	5.5	V
Analog supply voltage(AV50)		4.5	5.0	5.5	V
I/O pin voltage	-	GND	-	3.3	V
ESD (Body mode)			±4000		V
ESD (Machine mode)			±200		V

### 7.2 Recommended operation conditions

Parameter	Symbol	Min.	Typ	Max.	Unit
Digital supply voltage(DV50)	-		5		V
Analog supply voltage(AV50)			5		V
Operating ambient temperature			25		°C
Crystal clock	-		12.000		MHz

### 7.3 Power consumption

Test Conditions: DV50=5V, AV50 = 5V, DGND =0V, TA=+25°C, MCU Clock = 12MHz.

Sample Rate=48kHz, 16Bits, Operation: HP-Out Playback+Mic-In Recording, EQ disable, Spdif out disable, No loading

Parameter	Min.	Typ	Max.	Unit
Total power consumption (including playback and recording)	-	65.9 = Digital 27.9mA + Analog 38mA	-	mA
Standby power consumption (excluding playback and recording)	-	64	-	mA
Suspend mode power consumption	-	2.4	-	mA

### 7.4 DC characteristics

Test Conditions: DV50=5V, V<sub>DD</sub> = 3.3V, DGND =0V, TA=+25°C, V<sub>DD</sub> = 3.3V

Parameter	Symbol	Min.	Typ	Max.	Unit
Operation Voltage range	DVDD	4.5	5	5.5	
DC Input voltage range (GPIO,I2C,SPI,SPDIF)	DCVin	-0.3		5.5	V
Input High-level voltage (GPIO,I2C,SPI,SPDIF)	V <sub>ih</sub>	2	2		V
Input Low-level voltage (GPIO,I2C,SPI,SPDIF)	V <sub>il</sub>		0.8	0.8	V
Output High-level voltage (GPIO,I2C,SPI,SPDIF)	V <sub>oh</sub>	2.4	-	3.6	V
Output Low-level voltage (GPIO,I2C,SPI,SPDIF)	V <sub>ol</sub>	0	-	0.4	V
Output source current (GPIO, I2C,SPI,SPDIF)	IOH		8		mA
Output sink current (GPIO, I2C,SPI,SPDIF)	IOL		8		mA
VREG33 driver current	IVREG			10	mA

\*\*Note: DVDD18,AVDD36,AV42\_DA,AV36\_DAL,AV36\_DAR without current drivecapacity

## 7.5 Analog audio

Parameter	Symbol	Pin Name	Limit Values			Unit	Test Conditions
			Min.	Typ.	Max		
Signal Reference Voltage	XVAG	XVAG	1.65	1.75	1.85	V	RLoad >> 10 MΩ
Microphone Input Clipping Level (at minimum input volume, i.e., 0 dB)	VMI	XMICL XMICR			2.828	Vpp	Volume = 0dB
Line Input Clipping Level (at minimum input volume, i.e., 0 dB)	VMI	XLINL XLINR			2.828	Vpp	Volume = 0dB
Analog Output Voltage AC	VAO	XLNOUTL XLNOUTR			2.828	Vpp	
Microphone Input Impedance	MII	XMICL XMICR	20		45	kΩ	
Microphone A-A Input Impedance	MAII	XMICL XMICR		20		kΩ	
Headphone Output Impedance	HPOI	XLNOUTL XLNOUTR		32		Ω	Volume = 0 dB

## 7.6 USB transceiver

Parameter	Symbol	Pin Name	Limit Values			Unit	Test Conditions
			Min.	Typ.	Max		
Regulator Voltage	XV33	XV33	3.0	3.3	3.6	V	CL = 10uF
Driver Output Impedance including the 22Ω External Serial Resistor	RO	D+/D-	24		40	Ω	static, LOW or HIGH
Rise and Fall Times	tr/tf		3	10	19	ns	CL = 50 pF, driver mode
Rise/Fall Time Matching	MA_TRT F		90		110	%	CL = 50 pF, driver mode
Crossover Voltage	VXOVER		1.30	1.75	2.0	V	CL = 50 pF, driver mode
Differential Receiver Common-Mode Range	VCM_DR EC		0.8		2.5	V	
Single-ended Receiver Threshold Voltage	VT_SREC		0.8		2.0	V	
Switchable Pull-up Resistor	RPU	VREG, D+		1.5		kΩ	

### 7.7 Microphone bias

Parameter	Symbol	Pin Name	Limit Values			Unit	Test Conditions
			Min.	Typ.	Max		
Open Circuit Voltage Microphone Bias	VMICBIAS	MICBIAS	2.55	2.75	2.95	V	
Output Current Microphone Bias	IMICBIAS	MICBIAS			1.25	mA	RMIN=2.2kΩ
Output Impedance Microphone Bias	ROUTMICB	MICBIAS	600	650	700	Ω	
Power Supply Rejection Ratio for Microphone Bias	PSRRMICB	AVDD, MICBIAS		100		dB	Internal regulators active, at maximum load current (0.5 mA), 1 kHz sine wave at 100 mVrms

## 8 Audio performance

### 8.1 DAC audio quality

TA=25°C, DV50=5V, AV50=5V, Equalizer disable, Typical Fs/Bit-depth=48KHz/16bit (except remarked in Test Conditions), Master Volume= 0dB, Platform DELL Desktop 32BWS02, 4G RAM, Windows 8.1 CHT

Items	Test Conditions	Test Values			Unit
		Min.	Typ.	Max.	
Full Scale Output Voltage	10KΩ loading		1.04		Vrms
	32Ω loading		0.99		Vrms
THD+N @ -3dB Full Scale	10KΩ loading, 20~20KHz		-87		dB
	32Ω loading, 20~20KHz	-86.7	-71 (@1KHz)		dB
Dynamic Range (with -60dBfs Output Signal)	10KΩ loading, A-Weighted		91		dB
	32Ω loading, A-Weighted		92		dB
Noise Level (SNR, with -96dBfs Output Signal)	10KΩ loading, A-Weighted		93		dB
	32Ω loading, A-Weighted		93		dB
Inter-Channel Phase Delay	100Hz ~ 20kHz	+0.01		+1.01	Deg
Sampling Frequency Accuracy	10KΩ loading	-0.0046		+0.0078	%
Channel Separation(Crosstalk)	10KΩ loading, 20~20KHz		-95		dB
	32Ω loading (Normal Jack), 20~20KHz		-60		dB
	32Ω loading (4-ring Combo Jack), 20~20KHz	-61	-53 (@1KHz)	-52	dB
Frequency Response	10KΩ loading, Fs=48kHz/16bits, 20~20KHz	-0.064 (20Hz)		-0.949 (20KHz)	dB
	10KΩ loading, Fs=96kHz/24bits, 20~48KHz	-0.017 (20Hz)		-3 (42KHz)	dB
Passband Ripple Range	10KΩ loading, 20~20KHz			0.278	dB

## 8.2 ADC audio quality

TA=25°C, DV50=5V, AV50=5V, input test signal is 997Hz sine wave, measure bandwidth is 120Hz to 20kHz, Equalizer disable, AGC off, Mic Gain= 0dB, Typical Fs/Bit-depth=48KHz/16bit (except remarked in Test Conditions)  
 Platform DELL Desktop 32BWS02, 4G RAM, Windows 8.1 CHT

Items	Test Conditions	Test Values			Unit
		Min.	Typ.	Max.	
Full Scale Input Voltage	Microphone		0.74		Vrms
Full Scale Input Voltage	Line input		0.7		Vrms
THD+N @ -3dB Full Scale	Microphone[120Hz ~ 20KHz]		-83 (@1KHz)		dB
THD+N @ -3dB Full Scale	Line input[20Hz ~ 20KHz]		-84 (@1KHz)		dB
Dynamic Range (with -60dBfs Input Signal)	Microphone[997Hz] A-Weighted		88		dB
Dynamic Range (with -60dBfs Input Signal)	Line input[997Hz] A-Weighted		89		dB
Sampling Frequency Accuracy	Microphone[997Hz]	-0.0032		-0.0069	%
	Line input[997Hz]	-0.0038		+0.0076	%
Channel Separation(Crosstalk)	Microphone, 20-20KHz		-80		dB
	Line input, 20-20KHz		-84		dB
Frequency Response	Microphone, 20-20KHz	0.035 (20Hz)		-0.527 (20KHz)	dB
	Line input, 20-48KHz	0.414 (20Hz)		-0.581 (20KHz)	dB
Passband Ripple Range	Microphone			0.264	dB
Passband Ripple Range	Line input			0.265	dB

### 8.3 A-A path audio quality

TA=25°C, DV50=5V, AV50=5V, Microphone-In to Line-Out, 10Kohms loading, Master Volume=0dB, Mic Gain=0dB,  
 Typical Fs/Bit-depth=48KHz/16bit  
 Platform DELL Desktop 32BWS02, 4G RAM, Windows 8.1 CHT

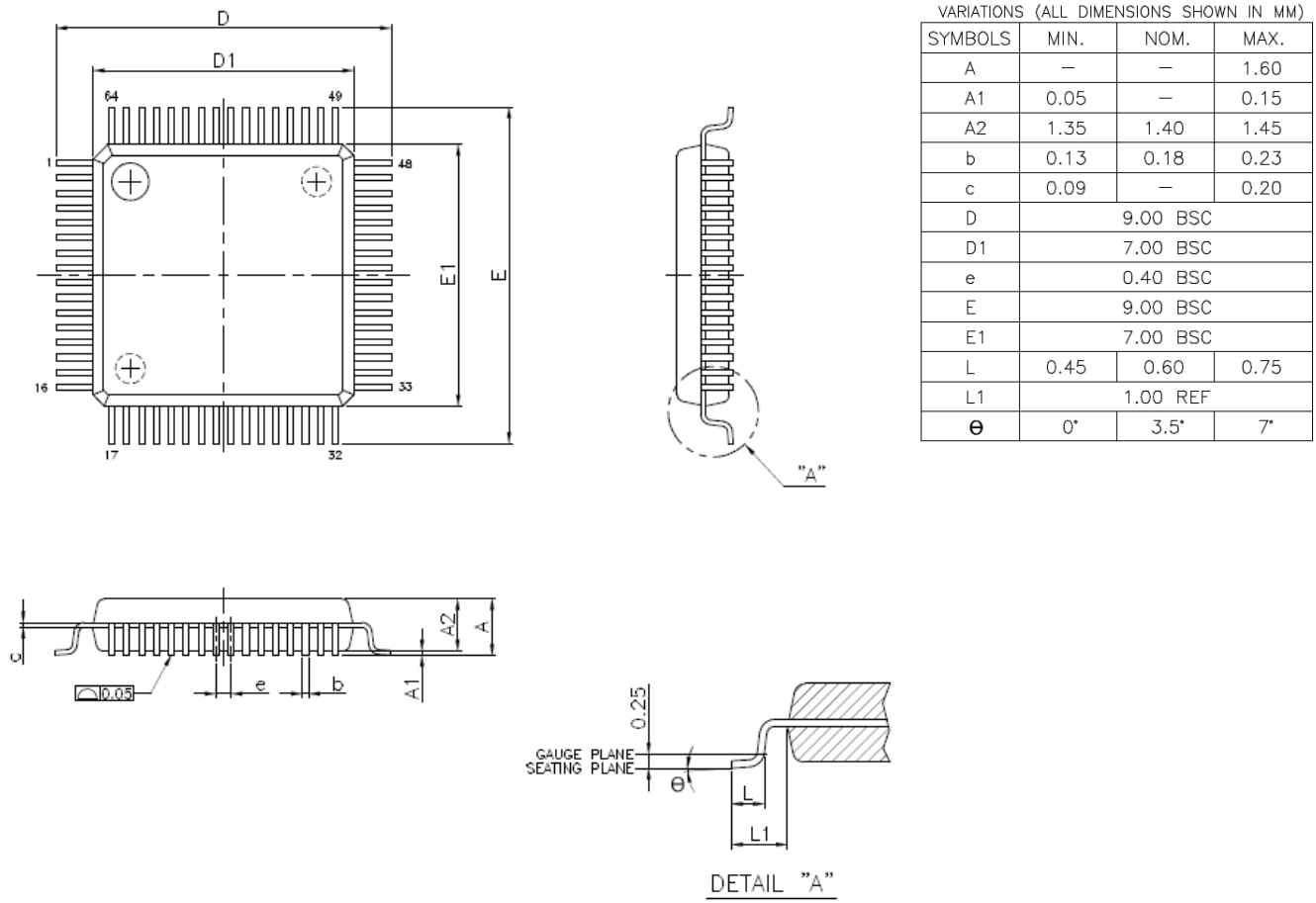
Items	Test Conditions	Test Values			Unit
		Min.	Typ.	Max.	
Full Scale Output Voltage	Microphone to Line out		1.05		Vrms
Full Scale Output Voltage	Line input to Line out		1.01		Vrms
THD+N @ -3dB Full Scale	Microphone to Line out 20~20KHz		-89		dB
THD+N @ -3dB Full Scale	Line input to Line out 20~20KHz		-89		dB
Dynamic Range (with -60dBfs Input Signal)	Microphone to Line out A-Weighted		93		dB
Dynamic Range (with -60dBfs Input Signal)	Line input to Line out A-Weighted		93		dB
Channel Separation(Crosstalk)	Microphone to Line out 20~20KHz		-90		dB
Channel Separation(Crosstalk)	Line input to Line out 20~20KHz		-90		dB
Frequency Response	Microphone to Line out 20~20KHz	-0.036		-0.133	dB
Frequency Response	Line input to Line out 20~20KHz	+0.007		-0.104	dB
Passband Ripple	Microphone 20~20KHz			0.002	dB
Passband Ripple	Line input 20~20KHz			0.001	dB

## 9 Package dimension

Model Number	Package	Operating Ambient Temperature	Supply Range
CM6535	64-Pin LQFP 7mm×7mm×1.4mm (Plastic)	-15°C to +70°C	DVdd = 5V, AVdd = 5V

Outline Dimensions \*Dimensions shown in inches and (mm)

### 64-Lead Thin Plastic Quad Flatpack (LQFP)



Package Dimension of CM6535



— End of Datasheet —

C-MEDIA ELECTRONICS INC.

6F., 100, Sec. 4, Civil Boulevard, Taipei, Taiwan 106 R.O.C.

TEL : +886-2-8773-1100

FAX : +886-2-8773-2211

E-MAIL : sales@cmedia.com.tw

**Disclaimer:**

Information furnished by C-Media Electronics Inc. is believed to be accurate and reliable. However, no responsibility is assumed by C-Media Electronics Inc. for its use, nor for any infringements of patents or other rights of third parties that may result from its use. Specifications subject to change without notice. No license is granted by implication or otherwise under any patent or patent rights of C-Media. Trademark and registered trademark are the property of their respective owners.