

30 MICA VP3

Micromodul™ connectors, pitch 1.27 mm



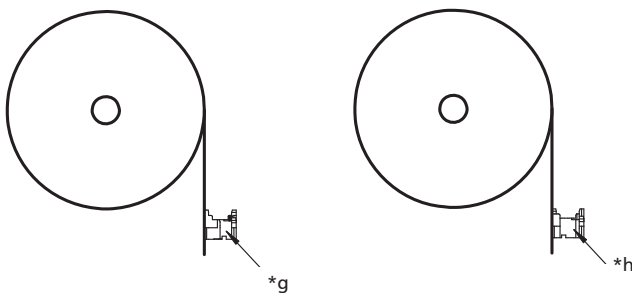
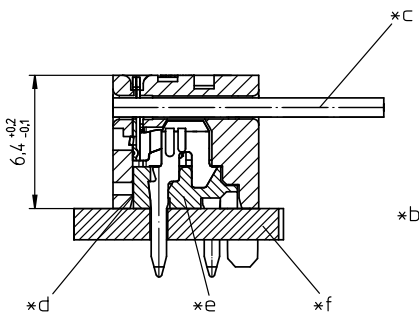
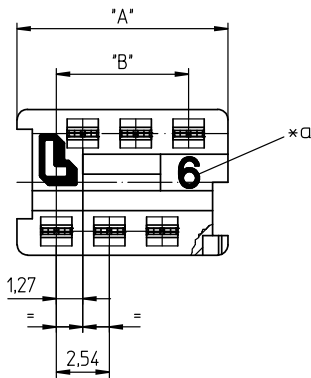
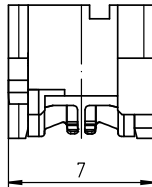
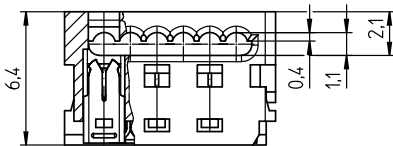
Micromodul™ connector for indirect mating, insulation displacement technology (IDT), with lock MICA: loose, on reel

---

Approvals:



30 MICA VP3



- \*a marking: number of poles
- \*b connector mated with tab header
- \*c flat cable
- \*d locking
- \*e tab header MICS...
- \*f printed circuit board
- \*g narrow keying groove
- \*h of wide keying groove

**Environmental conditions**

Temperature range -40 °C/+120 °C<sup>1</sup>  
<sup>1</sup> upper limit temperature (insulating body) RTI (electrical) of the UL Yellow Card

**Materials**

Insulating body PBT, V-0 according to UL94  
 Contact spring CuSn, tin-plated – MICA  
 CuSn, gold-plated in contact area, tin-plated in insulation displacement area – MICA SEL 0,8 AU

**Mechanical data**

Insertion force/contact < 0,8 N  
 Withdrawal force/contact > 0,4 N

**Connectable conductors for IDT area**

Construction flat cable 1.27 mm  
 Section min. AWG 28 (0,080 mm<sup>2</sup>)  
 Section max. AWG 26 (0,140 mm<sup>2</sup>)  
 Insulation diameter 1,0 mm  
 Approved cables at [www.lumberg.com](http://www.lumberg.com)

**Electrical data (at T<sub>amb</sub> 20 °C)**

Contact resistance ≤ 10 mΩ  
 Rated current 1,2 A  
 Rated voltage 32 V AC  
 (250 V AC ohne Berücksichtigung der Kriech- und Luftstrecken nach IEC 60664/DIN EN 60664)<sup>1</sup>  
 Material group IIIa (IEC)/3 (UL) (CTI ≥ 175)  
 Creepage distance 0,54 mm  
 Clearance 0,54 mm  
 Insulation resistance > 1 GΩ  
<sup>1</sup> 32 V AC  
 (250 V AC without considering creepage distance and clearance of IEC 60664/DIN EN 60664)

**Associated products**

Accessories  
 ☞ AZ30

Harnessing equipment  
 ☞ HA3...e ☞ HA30-R ☞ HA30e-R  
 ☞ VARICON 1000



30 MICA VP3

Designation	Pole Number	PU (Pieces)	MDQ (Pieces)	Dimensions	
				A (mm)	B (mm)
MICA 04 A VP3	4	4000	4000	7.59	3.81
MICA 06 A VP3	6	4000	4000	10.13	6.35
MICA 08 A VP3	8	4000	4000	12.67	8.89
MICA 10 A VP3	10	4000	4000	15.21	11.43
MICA 12 A VP3	12	4000	4000	17.75	13.97
MICA 14 A VP3	14	4000	4000	20.29	16.51
MICA 16 A VP3	16	4000	4000	22.83	19.05
MICA 18 A VP3	18	4000	4000	25.37	21.59
MICA 20 A VP3	20	4000	4000	27.91	24.13
MICA 26 A VP3	26	4000	4000	35.53	31.75
MICA 04 C VP3	4	4000	4000	7.59	3.81
MICA 06 C VP3	6	4000	4000	10.13	6.35
MICA 08 C VP3	8	4000	4000	12.67	8.89
MICA 10 C VP3	10	4000	4000	15.21	11.43
MICA 12 C VP3	12	4000	4000	17.75	13.97
MICA 14 C VP3	14	4000	4000	20.29	16.51
MICA 16 C VP3	16	4000	4000	22.83	19.05
MICA 18 C VP3	18	4000	4000	25.37	21.59
MICA 20 C VP3	20	4000	4000	27.91	24.13
MICA 26 C VP3	26	4000	4000	35.53	31.75

**Packaging:**  
on reel