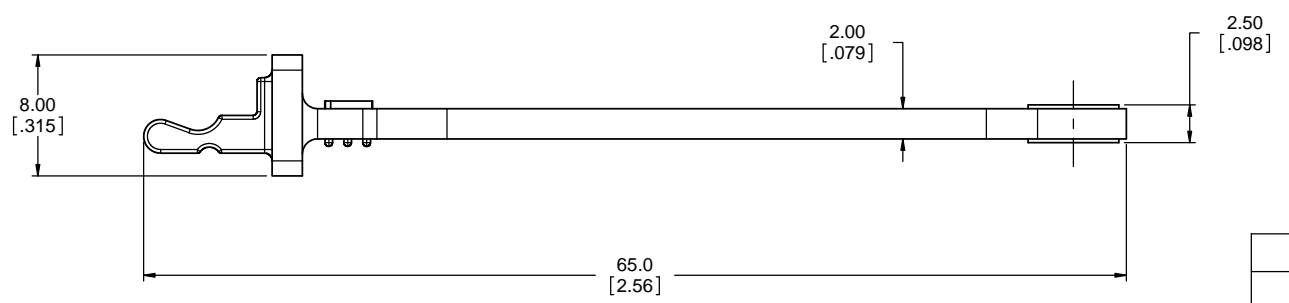
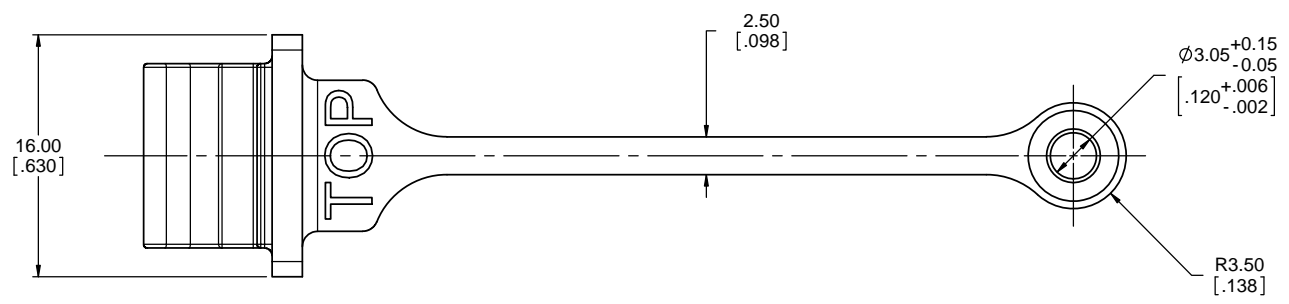
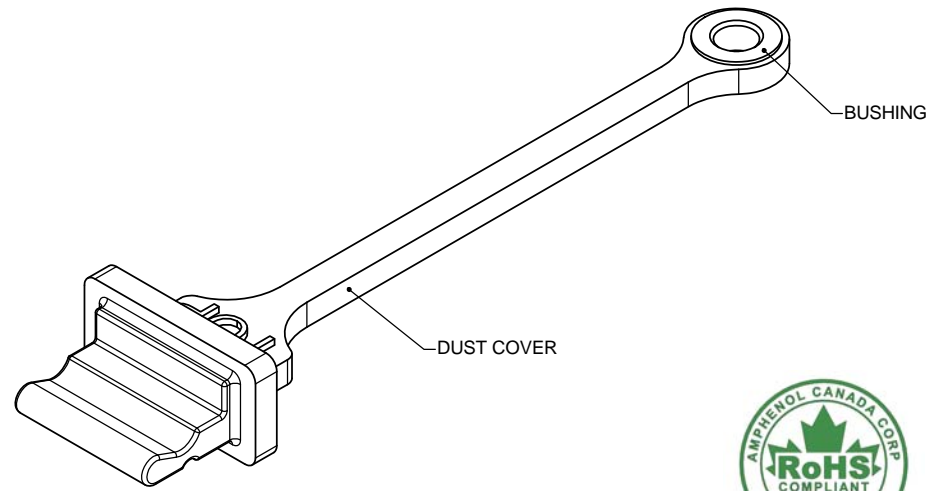


REVISIONS			
REV	DESCRIPTION, ECN, EAR NO.	DATE	APP'D
D	PRODUCT DRAWING (EAR 14230)	MAR12/14	K.L.



PART NUMBER	COLOUR
MUSB-2A111-014BP	GREY
MUSB-2A111-024BP	BLACK



NOTES:

- MATERIAL:
 - DUST COVER - SILICONE RUBBER, COLOR - SEE TABLE 1.
 - BUSHING - BRASS, NICKEL PLATED.
- OPERATING TEMPERATURE: -40°C TO +105°C.
- PART IS ROHS COMPLIANT PER EU DIRECTIVE 2011/65/EU AND AMENDMENTS.
- SEE SHEET 2 FOR APPLICATION VIEWS.



UNLESS SPECIFIED OTHERWISE	DRAWN	A.ESPIE	FEB19/14
PRIMARY UNITS MILLIMETERS	CHECKED		
SECONDARY UNITS INCHES	M.E. APP'D		
REFERENCE IN PARENTHESES	Q.A. APP'D		
GENERAL TOLERANCES	DWG APPR.	K.LAMBIE	MAR12/14
1 DECIMAL PLACE ±1.0	ENG. REL. NO.	EAR 14230	
2 DECIMAL PLACES ±0.30	REF.		
3 DECIMAL PLACES	THIRD ANGLE PROJECTION		
ANGULAR DEGREES	DO NOT SCALE DRAWING		

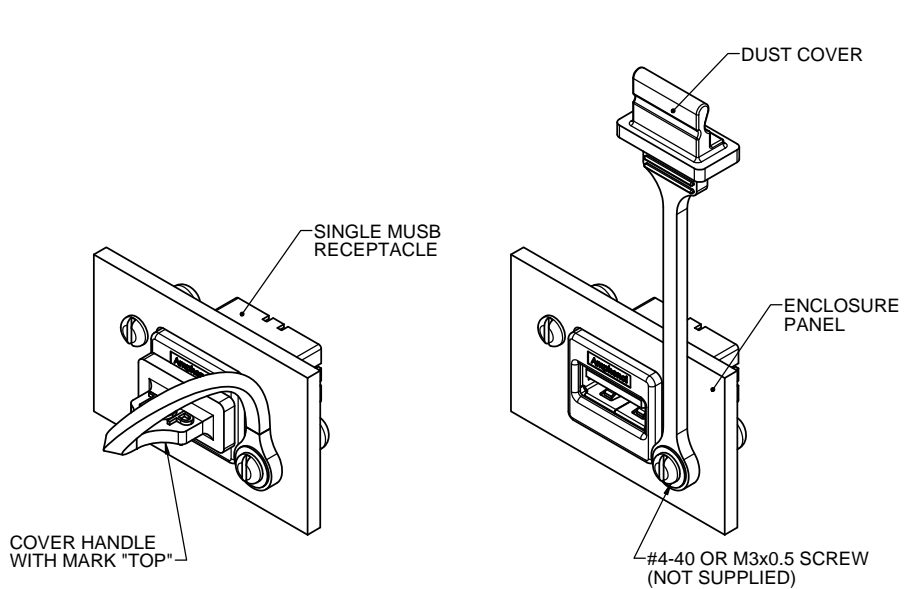
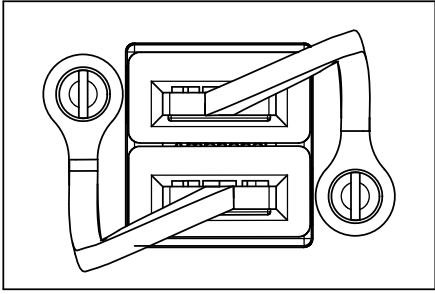
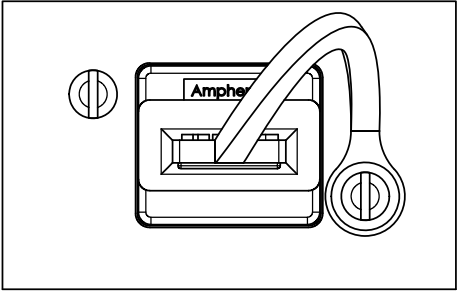
Amphenol Canada Corp.
www.amphenolcanada.com

MUSB SERIES, DUST COVER FOR RUGGED USB TYPE A, BULK PACKED, RoHS COMPLIANT

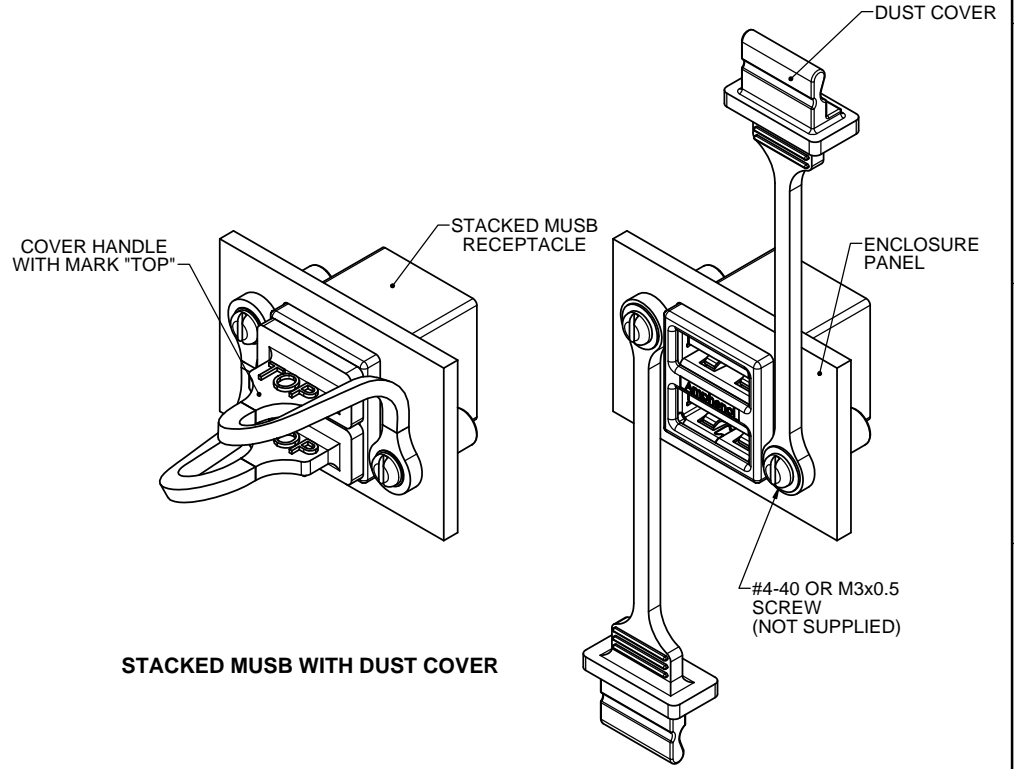
DWG. NO. P-MUSB-2A111-0X4BP REV D

CODE ID NO. 03554 DWG SIZE: X SCALE: 4:1 SHEET 1 OF 2

REVISIONS			
REV	DESCRIPTION, ECN, EAR NO.	DATE	APP'D
D	PRODUCT DRAWING (EAR 14230)	MAR12/14	K.L.



SINGLE MUSB WITH DUST COVER



STACKED MUSB WITH DUST COVER



UNLESS SPECIFIED OTHERWISE	DRAWN	A.ESPIE	FEB19/14
PRIMARY UNITS MILLIMETERS	CHECKED		
SECONDARY INCHES	M.E. APP'D		
REFERENCE IN PARENTHESES	Q.A. APP'D		
GENERAL TOLERANCES	DWG APPR.	K.LAMBIE	MAR12/14
1 DECIMAL PLACE	ENG. REL. NO.	EAR 14230	
2 DECIMAL PLACES ±0.25	REF.		
3 DECIMAL PLACES	THIRD ANGLE PROJECTION		
ANGULAR DEGREES	DO NOT SCALE DRAWING		

Amphenol Canada Corp.
www.amphenolcanada.com

MUSB SERIES, DUST COVER FOR RUGGED USB TYPE A, BULK PACKED, RoHS COMPLIANT

DWG. NO. **P-MUSB-2A111-0X4BP** REV **D**

CODE ID NO. 03554 DWG SIZE: X SCALE: 3:1 SHEET 2 OF 2

THIS DOCUMENT CONTAINS PROPRIETARY INFORMATION AND SUCH INFORMATION MAY NOT BE DISCLOSED TO OTHERS FOR ANY PURPOSE OR USED FOR MANUFACTURING PURPOSES WITHOUT WRITTEN PERMISSION FROM AMPHENOL CANADA CORP.