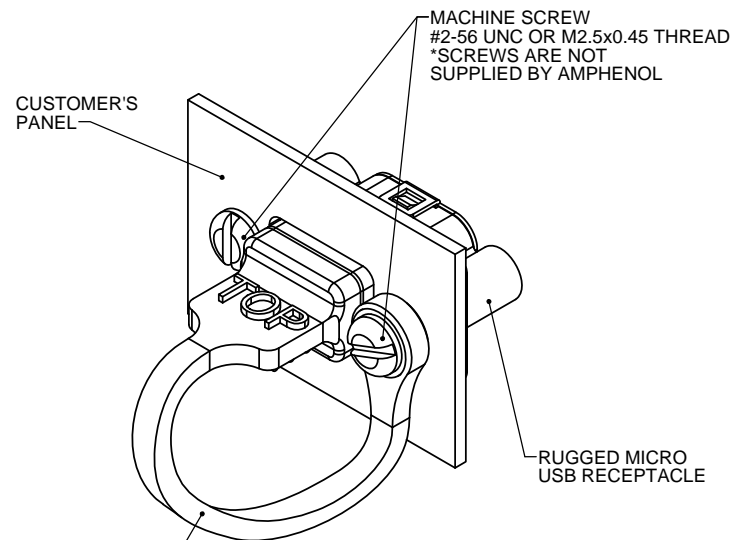
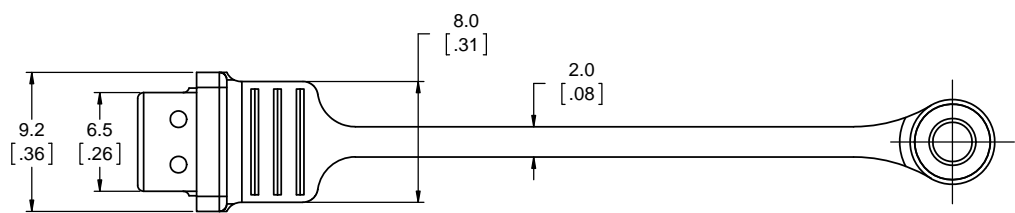
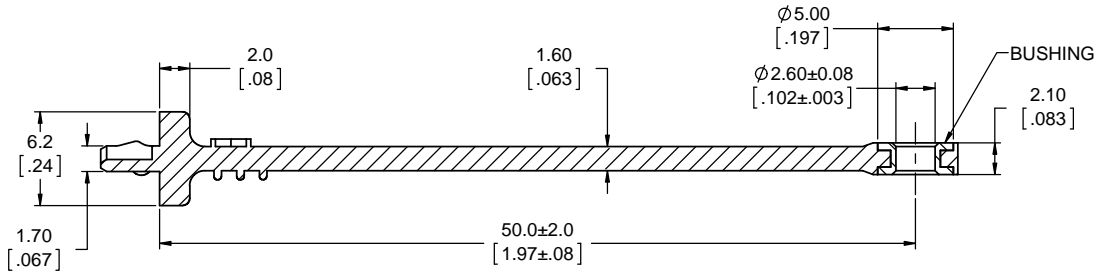
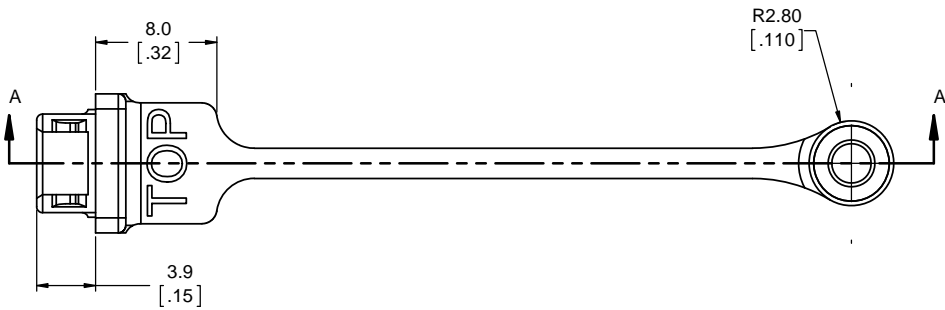


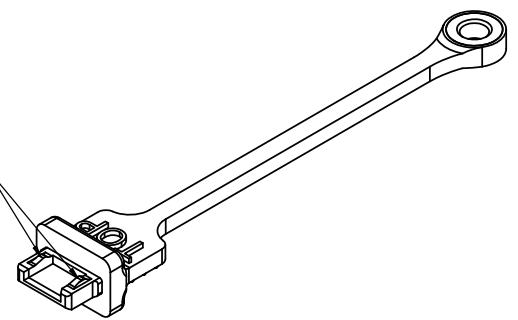
REVISIONS			
REV	DESCRIPTION, ECN, EAR NO.	DATE	APP'D
A	PROPOSAL DRAWING (EAR 13903)	AUG09/11	K.L.



DUST COVER IN MATED CONDITION

SECTION A-A
SCALE 4 : 1

FEATURES DESIGNED TO CREATE AN INTERFERENCE FIT WITH RECEPTACLE



NOTES:

- MATERIAL:
 - RUBBER: SILICONE RUBBER, UL94V-0, SEE CHART FOR COLOUR
 - BUSHING: BRASS ALLOY, NICKEL PLATED
- PART IS RoHS COMPLIANT PER EU DIRECTIVE 2002/95/EC AND AMENDMENTS

AMPHENOL PART NUMBER	COLOUR
MUSB-2K15-005BP	GREY
MUSB-2K15-015BP	BLACK

UNLESS SPECIFIED OTHERWISE	DRAWN	S.CAELERS	AUG08/11
PRIMARY UNITS MILLIMETERS	CHECKED	K.LAMBIE	AUG09/11
SECONDARY INCHES	M.E. APP'D		
REFERENCE IN PARENTHESES	Q.A. APP'D		
GENERAL TOLERANCES	DWG APPR.		
1 DECIMAL PLACE ±0.3	ENG. REL. NO.		
2 DECIMAL PLACES ±0.15	REF.		
3 DECIMAL PLACES	THIRD ANGLE PROJECTION		
ANGULAR DEGREES ±1°	DO NOT SCALE DRAWING		

Amphenol Canada Corp.
www.amphenolcanada.com

MUSB SERIES,
DUST COVER FOR RUGGIDIZED MICRO USB, RoHS COMPLIANT

DWG. NO. **P-MUSB-2K15-0X5BP** REV **A**

CODE ID NO. 03554 DWG SIZE: X SCALE: 2:1 SHEET 1 OF 1