



SMC Jack Bulkhead Connector Clamp/Solder Attachment
 For PE-SR405AL, PE-SR405FL, RG405, .177 inch D Hole

TECHNICAL DATA SHEET

PE4363

SMC Jack Bulkhead Connector Clamp/Solder Attachment For PE-SR405AL, PE-SR405FL, RG405, .177 inch D Hole

Configuration

Connector	SMC Jack
Connector Specification	MIL-C-39012
Connector Interface Type	PE-SR405AL,PE-SR405FL,RG405
Cable Attachment Method (Shield/Contact)	Clamp/Solder
Body Style	Straight
Mount Method	Bulkhead

Electrical Specifications

Frequency Range, GHz	DC to 10
Impedance, Ohms	50
Maximum Operating Voltage, Volts	335

Mechanical Specifications

Temperature

Operating Range, deg C	-65 to +165
------------------------	-------------

Size

Length, in [mm]	0.765 [19.43]
Width/Dia., in [mm]	0.25 [6]
Weight, lbs [g]	0.006 [2.72]

Connector

Type	SMC Jack
Contact Material and Plating	Gold
Contact Plating Specification	MIL-G-45204
Body Material and Plating	Brass, Gold
Body Plating Specification	MIL-G-45204
Dielectric Type	Teflon

Compliance Certifications (visit www.Pasternack.com for current document)

RoHS Compliant	Yes
----------------	-----

Plotted and Other Data

Notes:	Values at 25 °C, sea level
--------	----------------------------

URL: <http://www.pasternack.com/smc-jack-standard-pe-sr405al-pe-sr405fl-rg405-connector-pe4363-p.aspx>

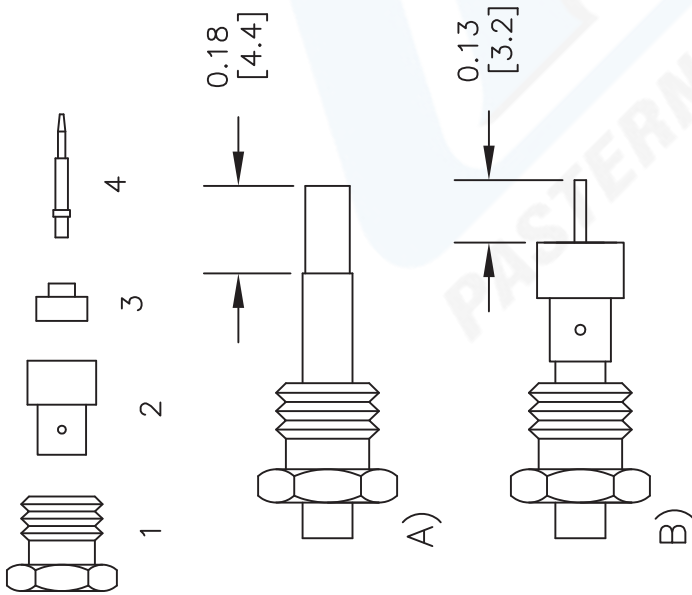
SMC Jack Bulkhead Connector Clamp/Solder Attachment For PE-SR405AL, PE-SR405FL, RG405, .177 inch D Hole from Pasternack Enterprises has same day shipment for domestic and International orders. We maintain 99% availability of the industry's broadest selection of RF, microwave and fiber optic products.

The information contained in this document is accurate to the best of our knowledge and representative of the part described herein. It may be necessary to make modifications to the part and/or the documentation of the part, in order to implement improvements. Pasternack reserves the right to make such changes as required. Unless otherwise stated, all specifications are nominal.



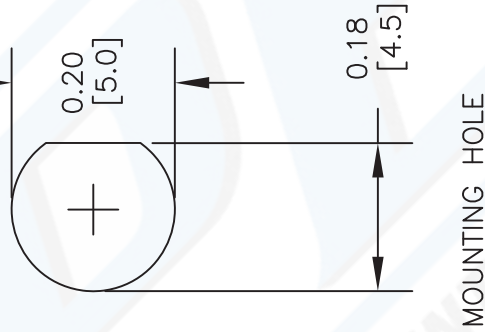
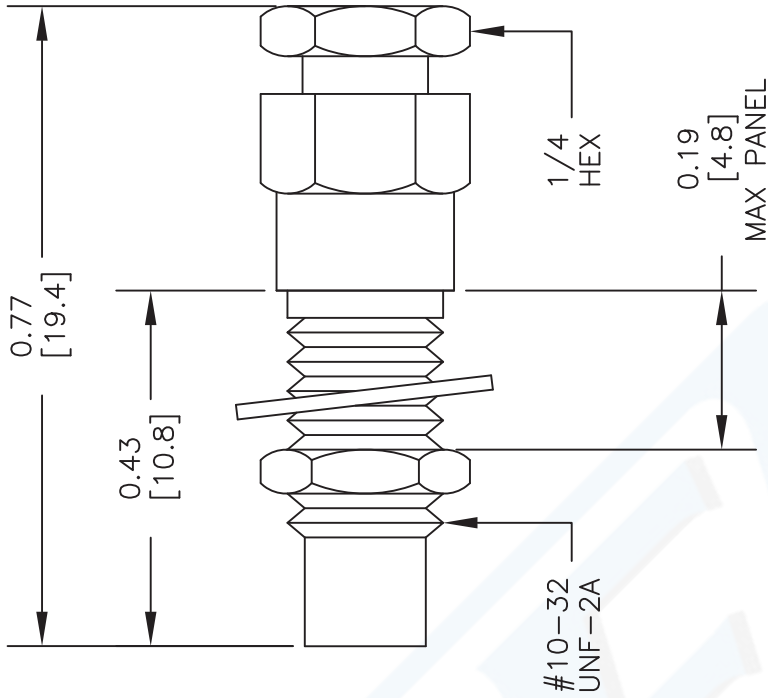
PE4363 CAD Drawing

SMC Jack Bulkhead Connector Clamp/Solder Attachment For
PE-SR405AL, PE-SR405FL, RG405, .177 inch D Hole



STRIPPING DIMENSIONS ASSEMBLY PROCEDURES

1. SLIDE CLAMP NUT (1) OVER CABLE, STRIP CABLE AS SHOWN IN ASSEMBLY A, DO NOT CUT DIELECTRIC.
2. SLIDE ADAPTER (2) OVER CABLE UNTIL IT STOPS. SOLDER ADAPTOR (3) USING MINIMUM HEAT.
3. CUT DIELECTRIC TO THE DIMENSION SHOWN IN (B), DO NOT NICK CENTER CONDUCTOR.
4. SLIDE BUSHING (4) OVER CENTER CONDUCTOR. SOLDER CONTACT (4) TO CENTER CONDUCTOR, CLEAN EXCESS SOLDER, SLIDE ASSEMBLY INTO BODY OF CONNECTOR AND TIGHTEN NUT (1).



DWG TITLE

PE4363

- NOTES:
1. UNLESS OTHERWISE SPECIFIED ALL DIMENSIONS ARE NOMINAL.
 2. ALL SPECIFICATIONS ARE SUBJECT TO CHANGE WITHOUT NOTICE AT ANY TIME.
 3. DIMENSIONS ARE IN INCHES [mm].
 4. FITS MIL-C-17 AND EQUIVALENT CABLES.

Website: www.pasternack.com | **E-Mail:** sales@pasternack.com

PE PASTERNAK®
Pasternack Enterprises, Inc.
P.O. Box 16759 | Irvine | CA | 92623

Phone: (949) 261-1920 | **Fax:** (949) 261-7451

REV. -

FSCM NO. 53919

CAD FILE 050902

SCALE N/A

SIZE A

2233