



## SMB Jack Bulkhead Connector Crimp/Solder Attachment For RG178, RG196

### TECHNICAL DATA SHEET

PE4364

#### SMB Jack Bulkhead Connector Crimp/Solder Attachment For RG178, RG196

##### Configuration

|  |              |
|--|--------------|
| Connector                                | SMB Jack     |
| Connector Specification                  | MIL-STD-348A |
| Connector Interface Type                 | RG178, RG196 |
| Cable Attachment Method (Shield/Contact) | Crimp/Solder |
| Body Style                               | Straight     |
| Mount Method                             | Bulkhead     |

##### Electrical Specifications

|                                       |         |
|---------------------------------------|---------|
| Frequency Range, GHz                  | DC to 4 |
| Impedance, Ohms                       | 50      |
| Maximum Operating Voltage, Volts      | 250     |
| Dielectric Withstanding Voltage, Vrms | 750     |

##### Frequency 1

|                |         |
|----------------|---------|
| Frequency, GHz | DC to 2 |
| VSWR           | 1.5:1   |

##### Mechanical Specifications

###### Temperature

|                        |            |
|------------------------|------------|
| Operating Range, deg C | -40 to +60 |
|------------------------|------------|

###### Size

|                     |               |
|---------------------|---------------|
| Length, in [mm]     | 0.845 [21.46] |
| Width/Dia., in [mm] | 0.237 [6]     |
| Weight, lbs [g]     | 0.005 [2.27]  |

###### Connector

|                               |                  |
|-------------------------------|------------------|
| Type                          | SMB Jack         |
| Contact Material and Plating  | Brass, Gold      |
| Contact Plating Specification | 30µ in. minimum  |
| Body Material and Plating     | Brass, Nickel    |
| Body Plating Specification    | 100µ in. minimum |
| Dielectric Type               | Teflon           |

##### Compliance Certifications (visit [www.Pasternack.com](http://www.Pasternack.com) for current document)

|                |     |
|----------------|-----|
| RoHS Compliant | Yes |
|----------------|-----|

##### Plotted and Other Data

Notes: Values at 25 °C, sea level

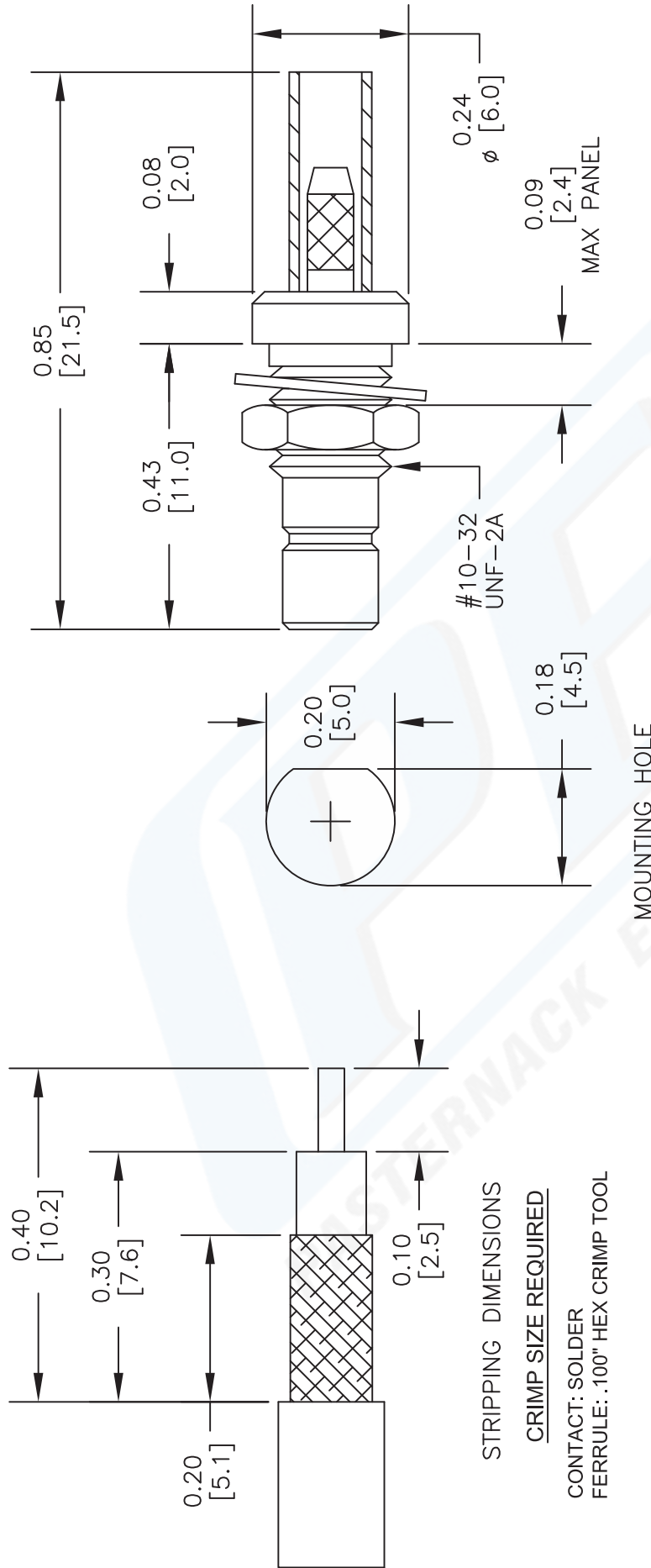
URL: <http://www.pasternack.com/smb-jack-standard-rg178-rg196-connector-pe4364-p.aspx>

SMB Jack Bulkhead Connector Crimp/Solder Attachment For RG178, RG196 from Pasternack Enterprises has same day shipment for domestic and International orders. We maintain 99% availability of the industry's broadest selection of RF,

The information contained in this document is accurate to the best of our knowledge and representative of the part described herein. It may be necessary to make modifications to the part and/or the documentation of the part, in order to implement improvements. Pasternack reserves the right to make such changes as required. Unless otherwise stated, all specifications are nominal.

# PE4364 CAD Drawing

SMB Jack Bulkhead Connector Crimp/Solder Attachment For RG178, RG196



DWG TITLE

**PE4364**

- NOTES:
1. UNLESS OTHERWISE SPECIFIED ALL DIMENSIONS ARE NOMINAL.
  2. ALL SPECIFICATIONS ARE SUBJECT TO CHANGE WITHOUT NOTICE AT ANY TIME.
  3. DIMENSIONS ARE IN INCHES [mm].
  4. FITS MIL-C-17 AND EQUIVALENT CABLES.

REV. -

FSCM NO. 53919

CAD FILE 050902

SCALE N/A

SIZE A

2233



Pasternack Enterprises, Inc.  
P.O. Box 16759 | Irvine | CA | 92623  
Phone: (949) 261-1920 | Fax: (949) 261-7451  
Website: www.pasternack.com | E-Mail: sales@pasternack.com