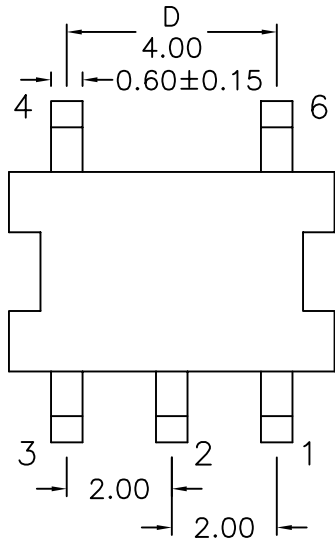
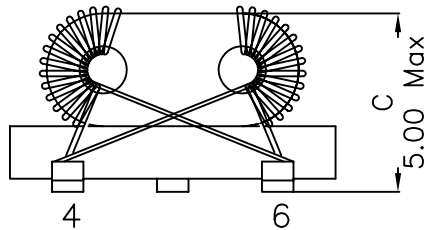
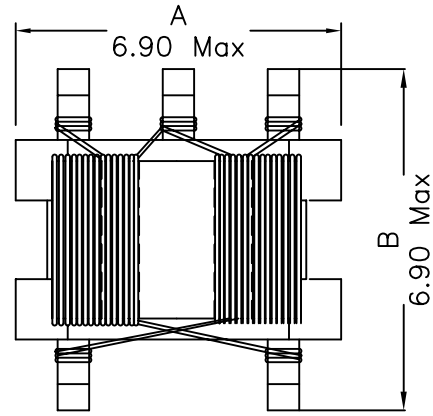
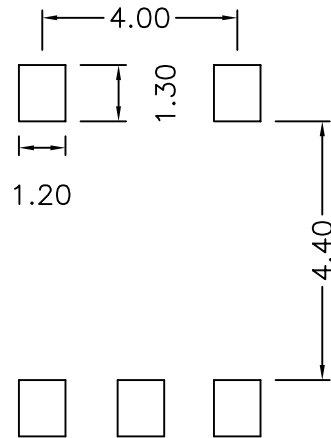


1. Mechanical Dimensions:



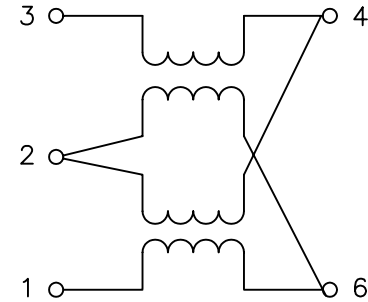
(BOTTOM VIEW)



SUGGESTED PAD LAYOUT

DOC REV: A/1

2. Schematic:



3. Electrical Specifications:

Number of Turns per Wdg: 4.5T
 Bandwidth: 1MHz – 1000MHz
 Insertion Loss: 3dB Max
 Impedance Ratio: 50:200 Ohms

Notes:

1. Solderability: Leads shall meet MIL-STD-202G, Method 208H for solderability.
2. Flammability: UL94V-0
3. ASTM oxygen index: > 28%
4. Insulation System: Class F 155°C. UL file E151556
5. Operating Temperature Range: All listed parameters are to be within tolerance from -40°C to +85°C
6. Storage Temperature Range: -55°C to +125°C
7. Aqueous wash compatible
8. SMD Lead Coplanarity: ±0.004"(0.102mm)
9. Electrical and mechanical specifications 100% tested
10. RoHS Compliant Component

XFMRs Inc www.XFMRs.com		Title: RF TRANSFORMER	
UNLESS OTHERWISE SPECIFIED TOLERANCES: .xx ±0.30 Dimensions in MM		P/N: XF458DB-1616	REV. A
		DWN.	罗振江 Aug-12-09
		CHK.	廖玉坤 Aug-12-09
SHEET 1 OF 1		APP.	BW Aug-12-09