

NOTES:

1. MATERIAL:  
 '0' = NYLON V-O LOW HALOGEN; COLOR: BLACK  
 '1' = NYLON V-2 GLOW WIRE CAPABLE; COLOR: BLACK
2. FINISH: NONE
3. PRODUCT SPECIFICATION: TBD  
 APPLICATION SPECIFICATION: TBD
4. PACKAGING SPECIFICATION: PK-70873-0071  
 REFER TO AS-45499-001 FOR MOISTURIZING NYLON CONNECTOR PARTS.
5. THIS HOUSING TO BE USED WITH RECEPTACLE HOUSING SERIES 170001 & 171692.
6. THIS PART CONFORMS TO CLASS 'B' REQUIREMENTS OF COSMETIC SPECIFICATION PS-45499-002.
11. FOR "1" MATERIAL USE CLASS C GATE BLIMISH SPEC.
12. 200122-0006 SHOWN. SEE SHEET 2 FOR OTHER PART NUMBERS.

## PART LEGEND

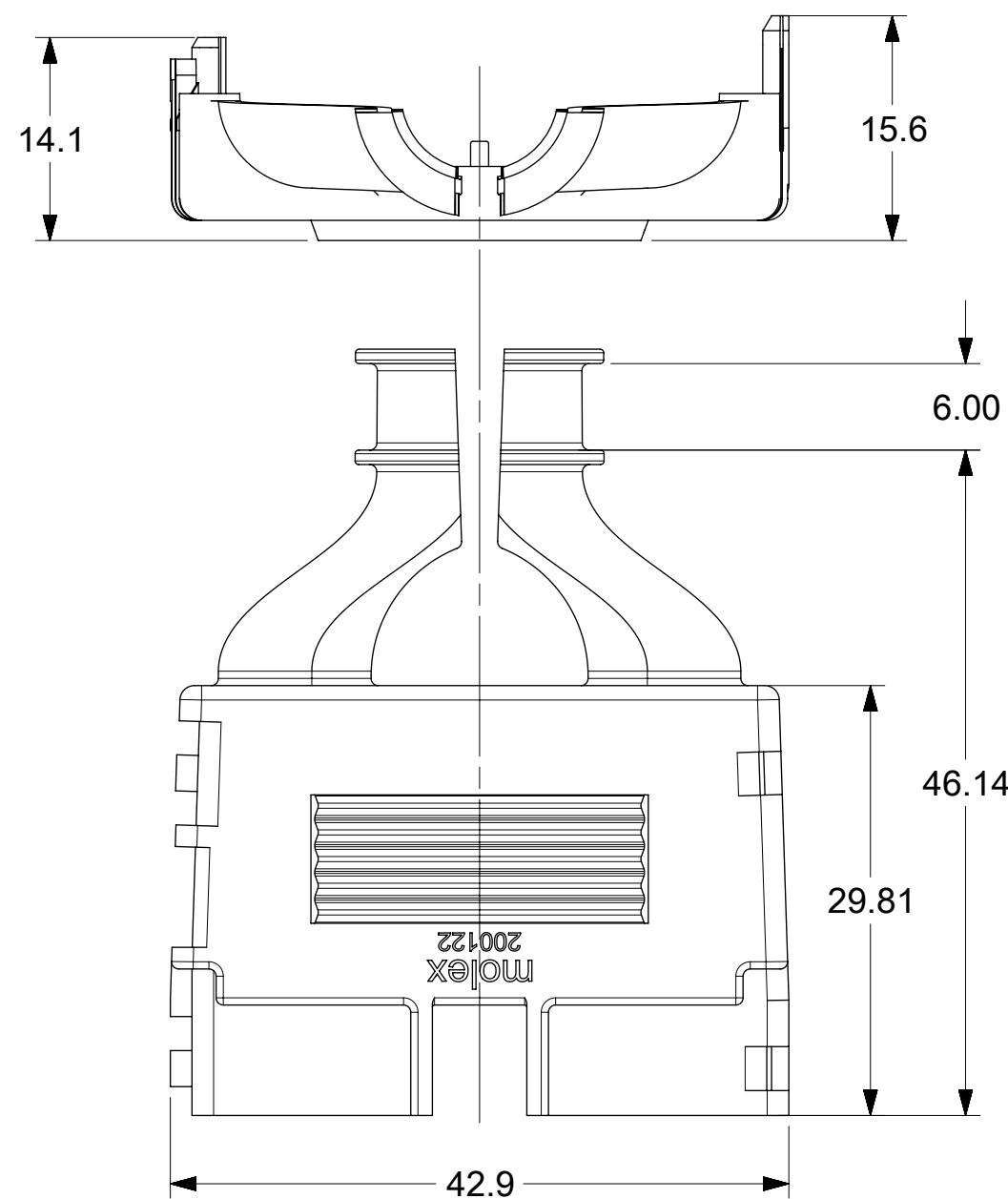
200122 - 0 \* \* \*

PART SERIES

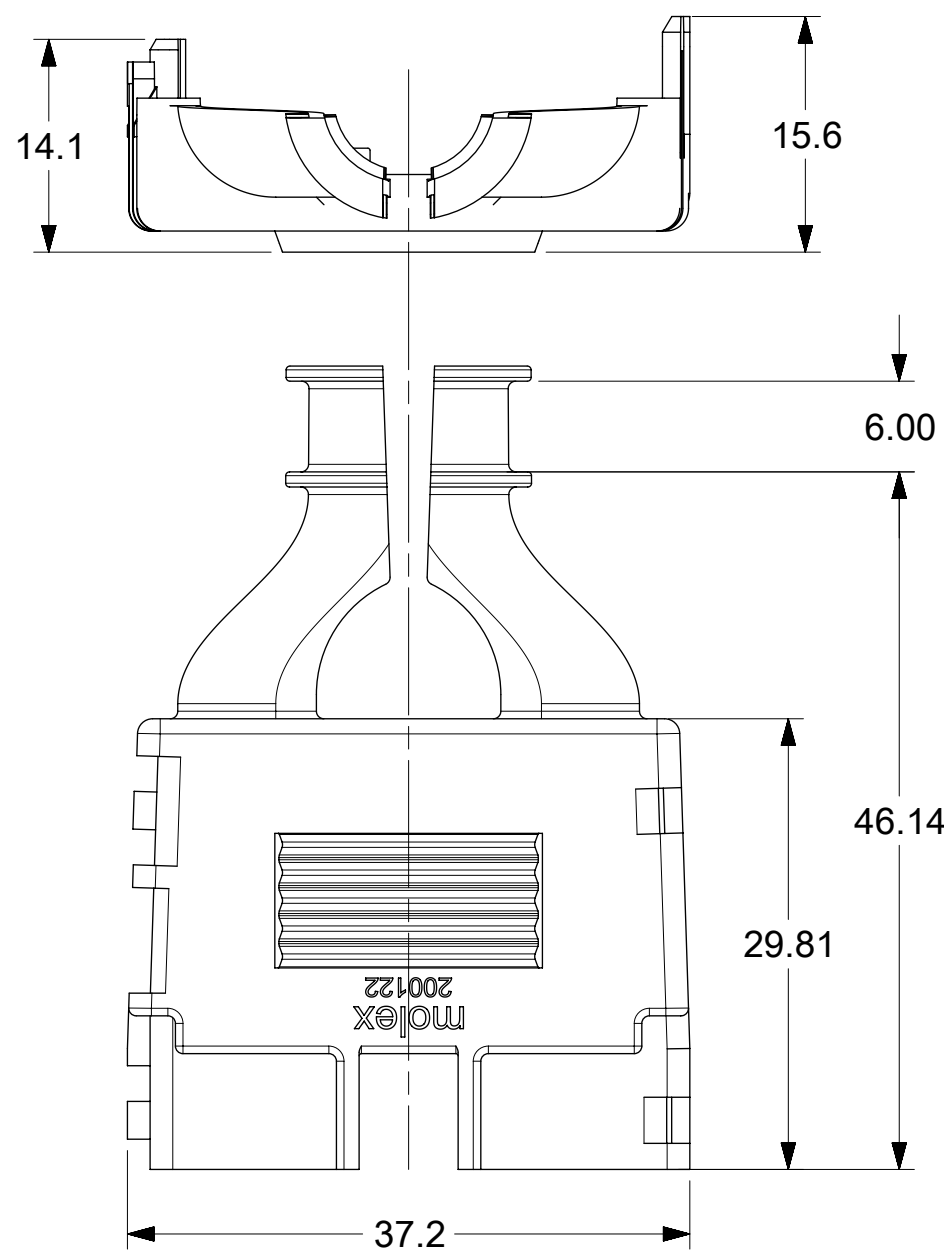
MATERIAL (SEE NOTE 1)

NUMBER OF CKTS (SEE SHEET 2)

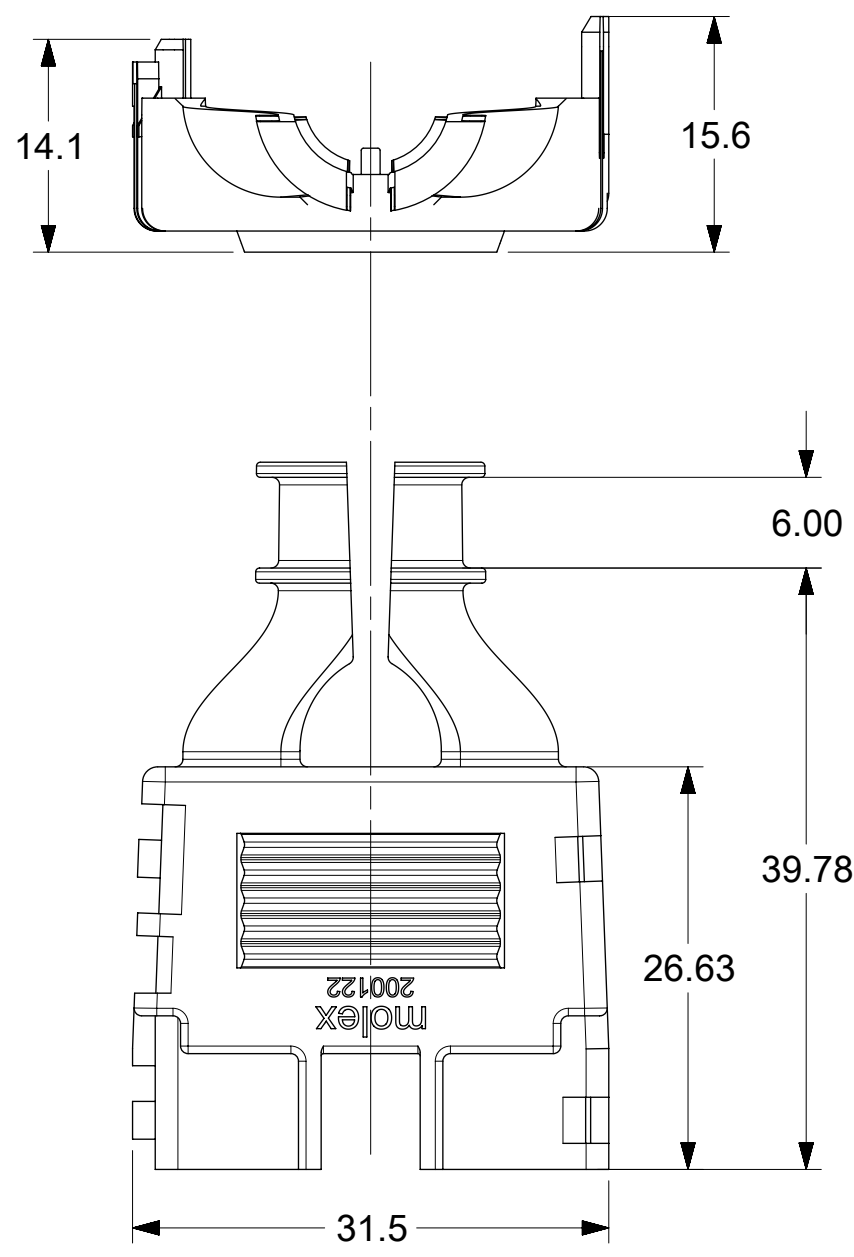
THIS DRAWING CONTAINS INFORMATION THAT IS PROPRIETARY TO MOLEX INCORPORATED AND SHOULD NOT BE USED WITHOUT WRITTEN PERMISSION											
EC DESCRIPTION EC NO: 109352 DRWN: TGREGORI CHK'D: RHOJGE REV: APPR: RHOJGE	QUALITY SYMBOLS	GENERAL TOLERANCES (UNLESS SPECIFIED)	DIMENSION UNITS	SCALE	<b>molex</b>						
	▽ = 0	ANGULAR TOL ± 0.5 °	MM	3:1							
	▽ = 0	4 PLACES ±	DRWN BY	DATE	RECEPTACLE BACKSHELL, DUAL ROW MEGA-FIT						
	▽ = 4	3 PLACES ±	TGREGORI	2015/09/15							
	2 PLACES ± 0.25	CHK'D BY	DATE	PRODUCT CUSTOMER DRAWING							
	1 PLACE ± 0.4	TGREGORI	2015/09/29								
	0 PLACES ±	APPR BY	DATE	SERIES	MATERIAL NUMBER	CUSTOMER					
	DRAFT WHERE APPLICABLE MUST REMAIN WITHIN DIMENSIONS	DRAWING SIZE	THIRD ANGLE PROJECTION	200122	SEE SHEET 2						
A1			C	DOCUMENT NUMBER	DOC TYPE	DOC PART	SHEET NUMBER				
				2001220000	PSD	000	1 OF 2				



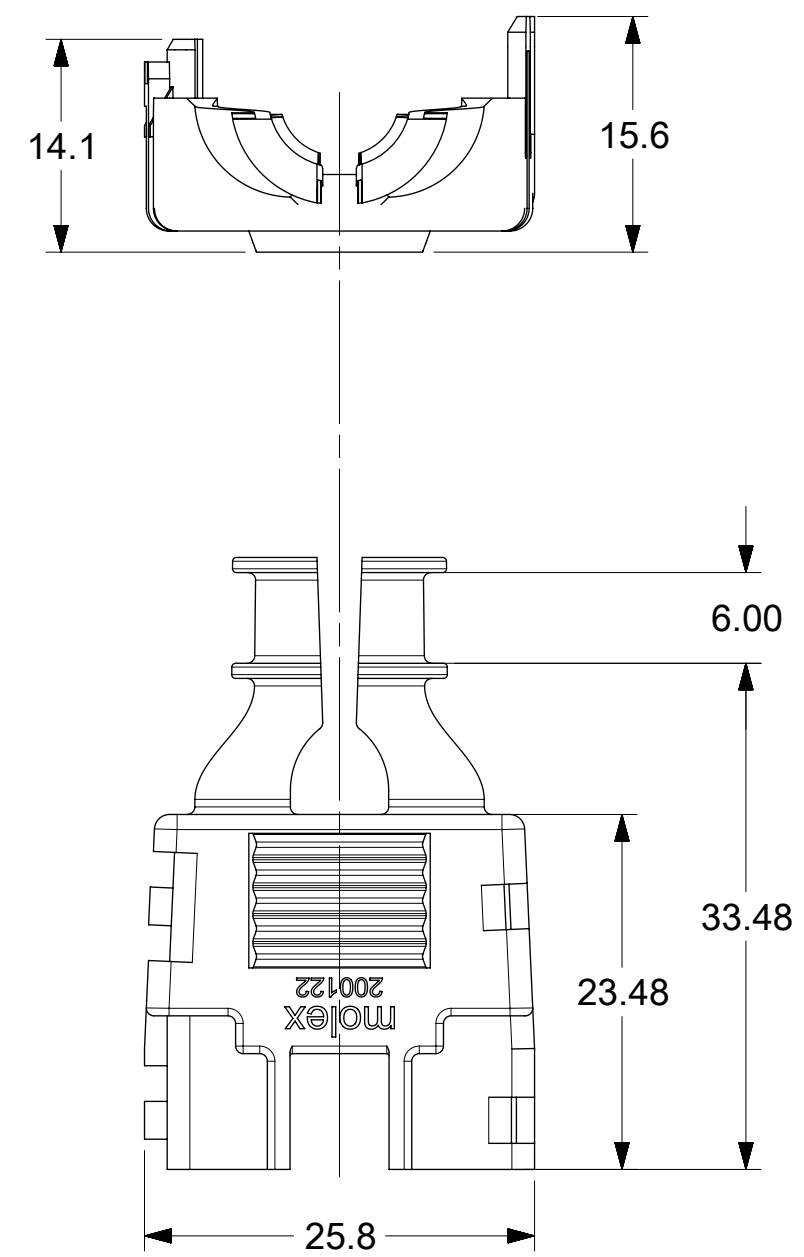
200122-0\*12



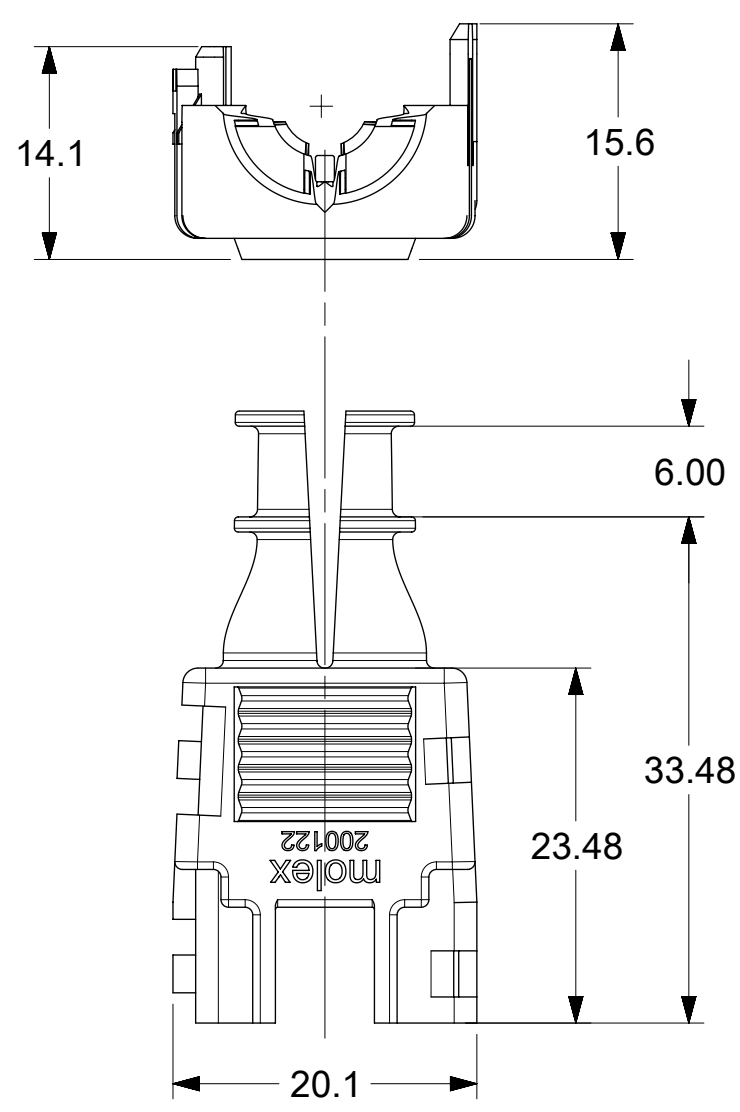
200122-0\*10



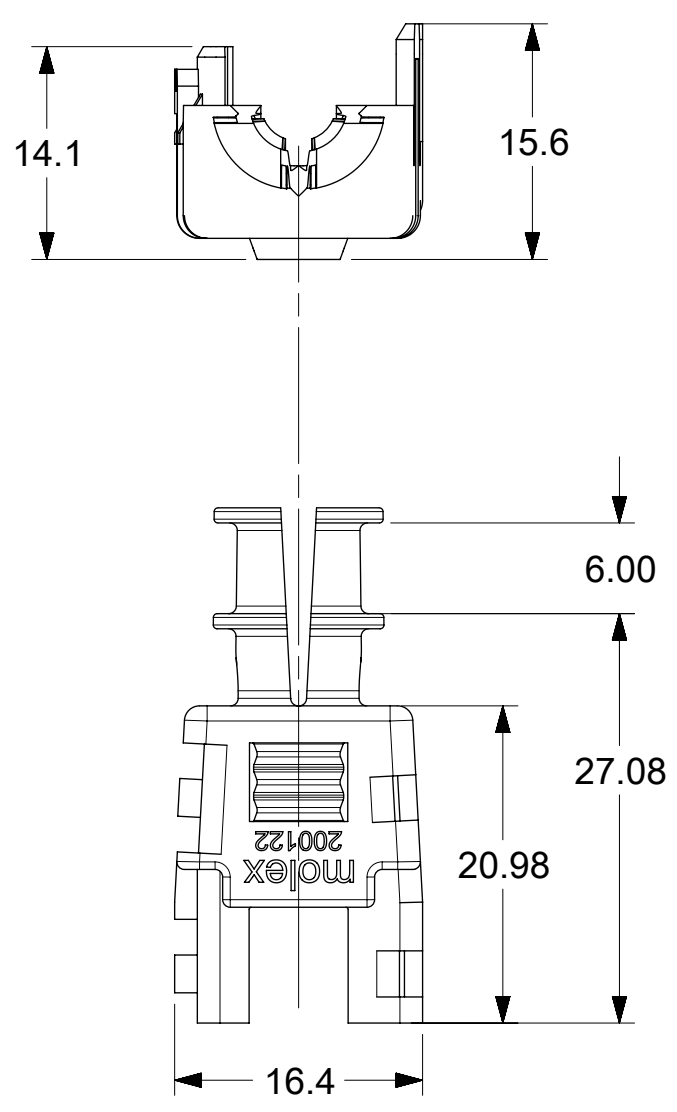
200122-0\*08



200122-0\*06



200122-0\*04



200122-0\*02

THIS DRAWING CONTAINS INFORMATION THAT IS PROPRIETARY TO MOLEX INCORPORATED AND SHOULD NOT BE USED WITHOUT WRITTEN PERMISSION											
EC DESCRIPTION EC NO: 109352 DRWN: TGREGORI CHK'D: RHOJGE REV   APPR: #	QUALITY SYMBOLS ▽ = 0 ▽ = 0 ▽ = 4	GENERAL TOLERANCES (UNLESS SPECIFIED)		DIMENSION UNITS	SCALE						
		ANGULAR TOL ± 0.5 °		MM	1:1						
		4 PLACES ±		DRWN BY	DATE	RECEPTACLE BACKSHELL, DUAL ROW MEGA-FIT PRODUCT CUSTOMER DRAWING					
		3 PLACES ±		TGREGORI	2015/09/15						
2 PLACES ± 0.25		CHK'D BY	DATE	SERIES		MATERIAL NUMBER		CUSTOMER			
1 PLACE ± 0.4		TGREGORI	2015/09/29	200122		SEE SHEET 2					
0 PLACES ±		APPR BY	DATE	DOCUMENT NUMBER		DOC TYPE		DOC PART	SHEET NUMBER		
DRAFT WHERE APPLICABLE MUST REMAIN WITHIN DIMENSIONS		DRAWING SIZE	THIRD ANGLE PROJECTION	2001220000		PSD	000	2 OF 2			
A1		C									