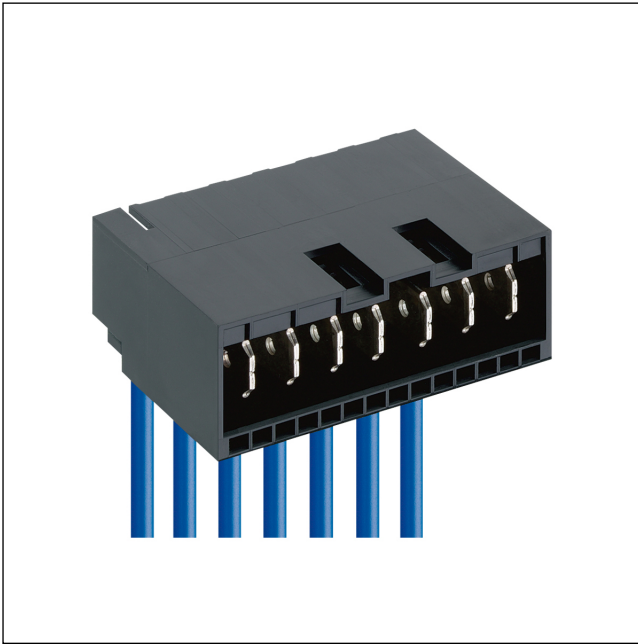


36

3647-1

RAST 5 connectors, pitch 5.0 mm



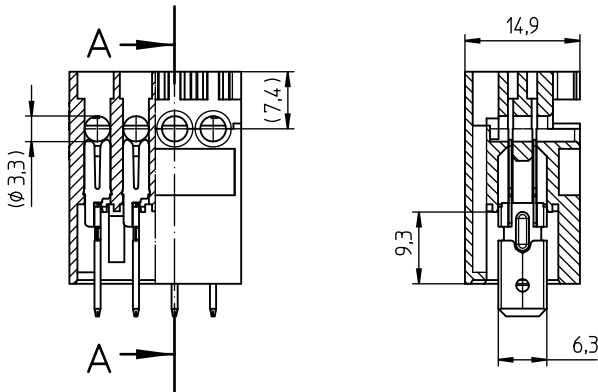
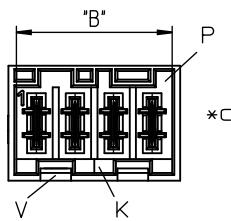
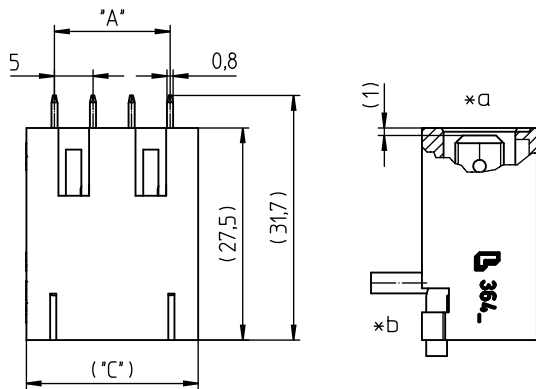
RAST 5 tab header, insulation displacement technology (IDT), for use in a higher temperature range

State: Active

Approvals:



36 3647-1



- *a terminated connector
- *b cable departure 90° or 180°
- *c K = keying
P = positioning
V = space for lock

Environmental conditions

Temperature range -40 °C/+150 °C

Materials

Insulating body PA, V-2 according to UL94
Contact tab CuSn, silver-plated

Mechanical data

Contact tab 6.3 x 0.8 mm according to DIN 42644
Keying proposals at www.lumberg.com

Connectable conductors for IDT area

Construction discrete conductor, notched flat cable 5.0 mm
Section min. 1.0 mm²
Section max. 1.5 mm²
Insulation diameter ≤ 3.0 mm
Approved cables at www.lumberg.com

Electrical data (at T_{amb} 20 °C)

Contact resistance ≤ 5 mΩ
Rated current 10.5 A (T_v 120 °C)
Rated voltage 250 V AC
Material group II (IEC)/1 (UL) (CTI ≥ 250)
Creepage distance 4.7 mm
Clearance 4.2 mm
Insulation resistance > 10 GΩ

Associated products

Counterparts
☞ 3625-1 ☞ 3628-1

Harnessing equipment
☞ HA364-ST ☞ KHP364

36

3647-1

Designation	Pole Number	PU (Pieces)	MDQ (Pieces)	Dimensions		
				A (mm)	B (mm)	C (mm)
3647-1 08 M07S03	8	850	1700	35	40.2	42.3

Designation to be completed by further details (e.g. for keying, color or material options).

Packaging:

in bulk, in a cardboard box