

## DETAILS

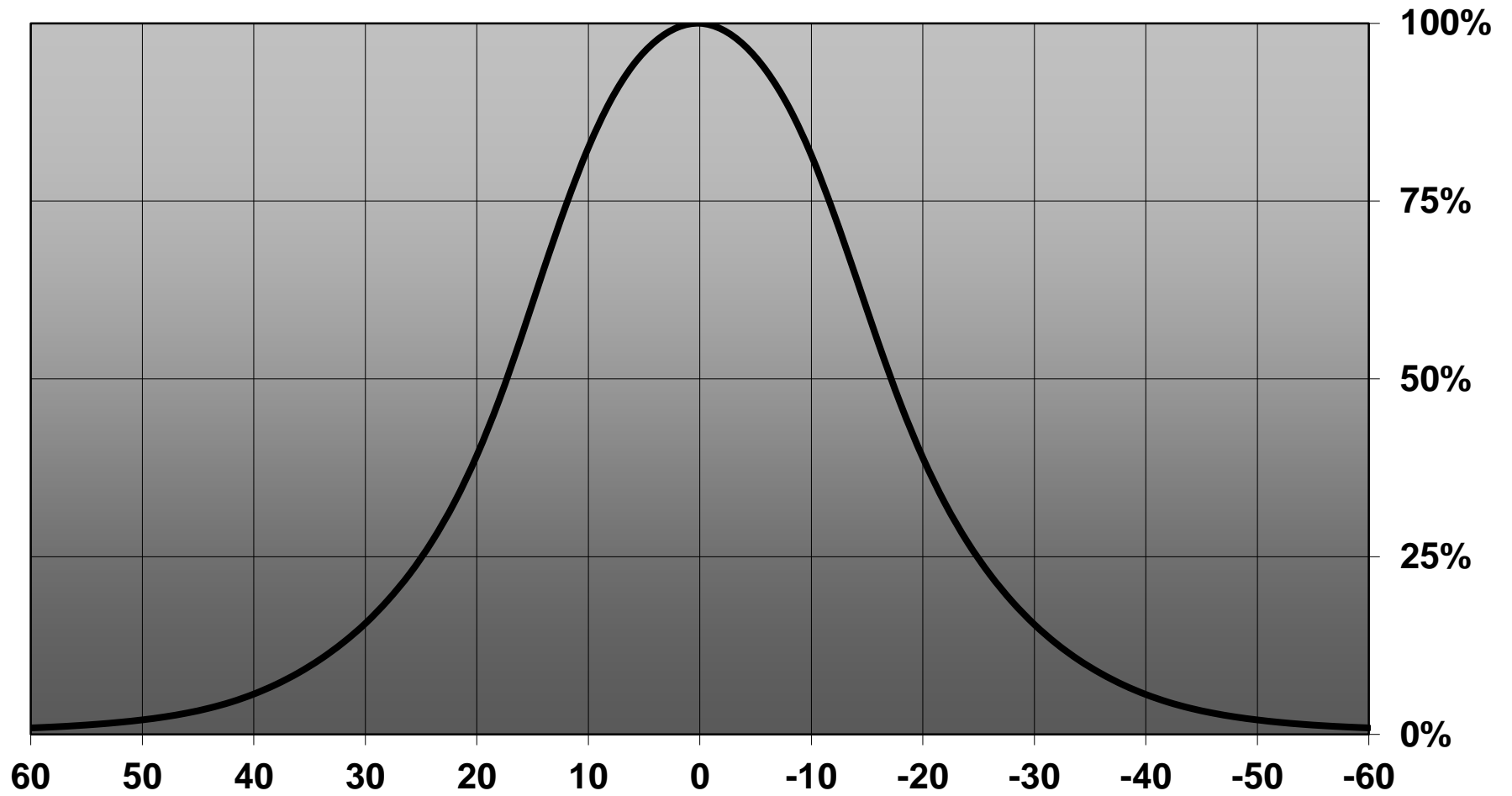
<b>Product Number</b>	CN13144_MIRA-M
<b>Family</b>	Mira
<b>Type</b>	Pack
<b>Color</b>	black
<b>Diameter</b>	34,2 mm
<b>Height</b>	16,15 mm
<b>Style</b>	round
<b>Optic Material</b>	PC
<b>Holder Material</b>	
<b>Fastening</b>	screw
<b>Status</b>	production ready
<b>ROHS Compliant</b>	Yes
<b>Date Updated</b>	26/06/2015

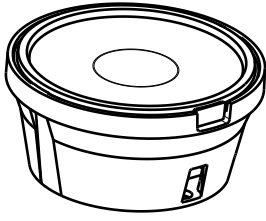


## OPTICAL PROPERTIES

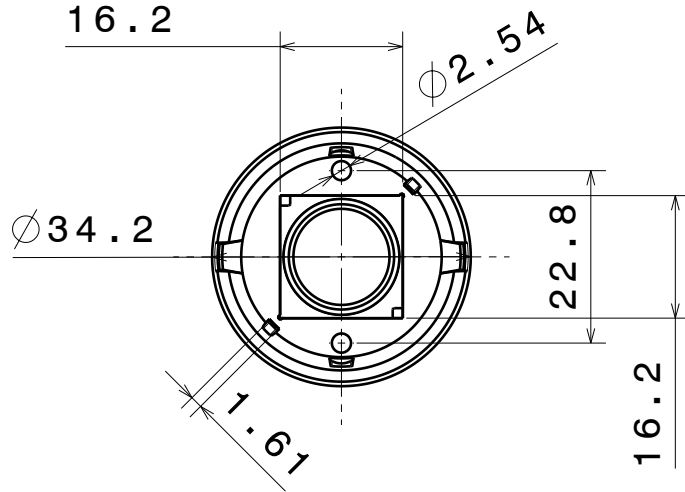
LED	Viewing	Light	Effi-		Connector
	Angle	Beam	ciency	cd/lm	
V10 Gen6	35 deg	Medium	77 %	1.760	-
CXA/B 15xx	31 deg	Medium	-	1.790	-
Duris P10	sim: 19	Medium	sim: 83 %	sim: 5.000	-

**Relative intensity of CN13144\_MIRA-M\_(V10)**

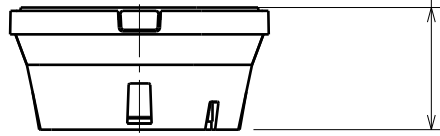




Isometric view



Bottom view



Front view

Materials:

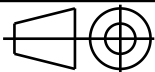
- LENS: PC
- HOLDER: PC, black
- TAPE: PU foam

Tolerances if not otherwise shown  
 According to DIN ISO 2768-1  
 Linear measures:  
 Up to 30mm class M, otherwise class C.  
 According to DIN ISO 2768-2  
 Form and position: class L



Ledil Oy  
 Salorankatu 10  
 FIN 24240 SALO  
 Finland

THIRD ANGLE PROJECTION:



DRAWING TITLE

Datasheet MIRA assembly

This drawing is the property  
 of LEDiL Oy. It may not be  
 reproduced, copied or  
 communicated without a written  
 agreement with LEDiL Oy."

16.11.2012

SIZE PART NUMBER

A4

-

SCALE 1:1 WEIGHT

SHEET 1/1

**NOTE: The typical divergence will be changed by different color, chip size and chip position tolerance. The typical total divergence is the full angle measured where the luminous intensity is half of the peak value.**

### **GENERAL INFORMATION**

- Product series especially designed & optimized for series of LEDs.
- Special care taken to make light distribution as uniform as possible.

Note! Due to use of high power COB's with this product, special attention to proper thermal design is highly recommended. LEDiL has no liability for direct, indirect or consecutive damages arising from the LEDiL products being used outside of the recommended temperature range.