



# PRODUCT DATASHEET

## Lena series

last update 17/7/2014

### DETAILS

<b>Product Number</b>	CN13187_LENA-S
<b>Family</b>	Lena
<b>Type</b>	RefPack
<b>Color</b>	metal
<b>Diameter</b>	111 mm
<b>Height</b>	87 mm
<b>Style</b>	round
<b>Optic Material</b>	
<b>Holder Material</b>	
<b>Fastening</b>	socket, screw
<b>Status</b>	production ready
<b>ROHS Compliant</b>	Yes
<b>Date Updated</b>	17/07/2014



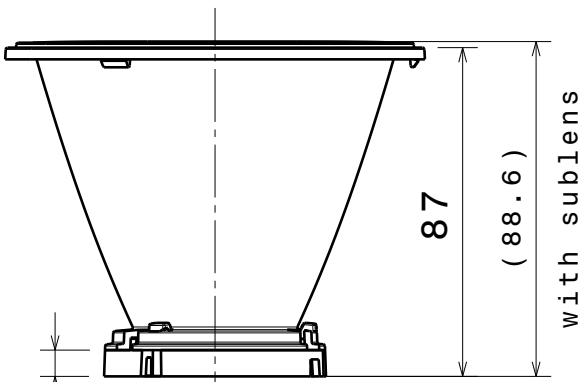
### OPTICAL PROPERTIES

LED	Viewing Angle	Light Beam	Efficiency	cd/lm	Connector
CXA/B 15xx	7 deg	Spot	87 %	30.120	-

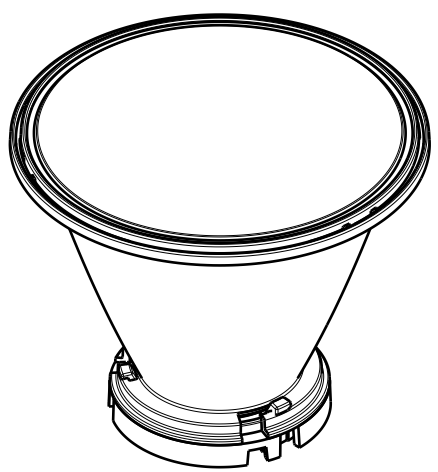
D C B A

4

4



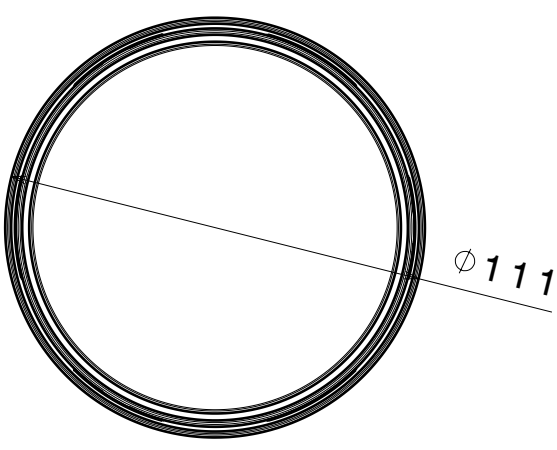
Front view



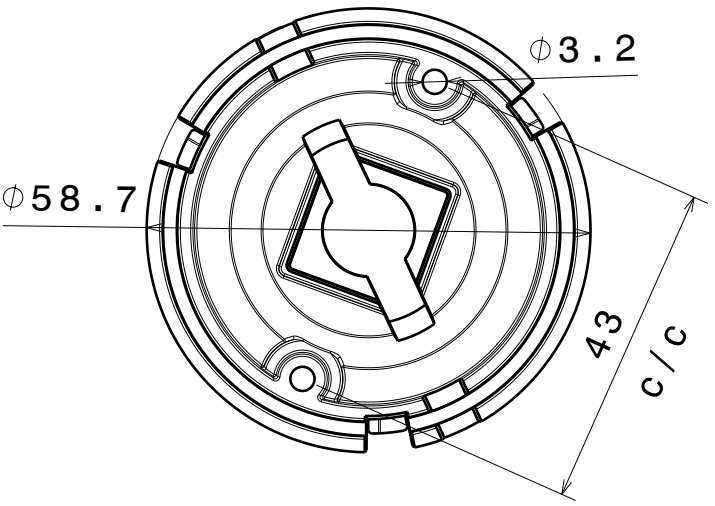
Isometric view

3

3



Top view



2

2

Materials

Reflector: PC  
Base part: PC  
Sublens: PC

Note: using additional sublens  
add 1.6mm to total height

This drawing is our property.  
It can't be reproduced  
or communicated without  
our written agreement.

**LEDiL** LediL Oy  
Salorankatu 10  
FIN 24240 SALO  
Finland

DRAWING TITLE Mechanical drawing

DRAWN BY  
**as**

DATE  
17.10.2012

**LENA-CXA15**

CHECKED BY  
-

DATE  
-

SIZE  
**A4**

PART NUMBER  
-

REV  
**001**

DESIGNED BY  
**as**

DATE  
-

SCALE 1:2

WEIGHT - g

SHEET 1/1

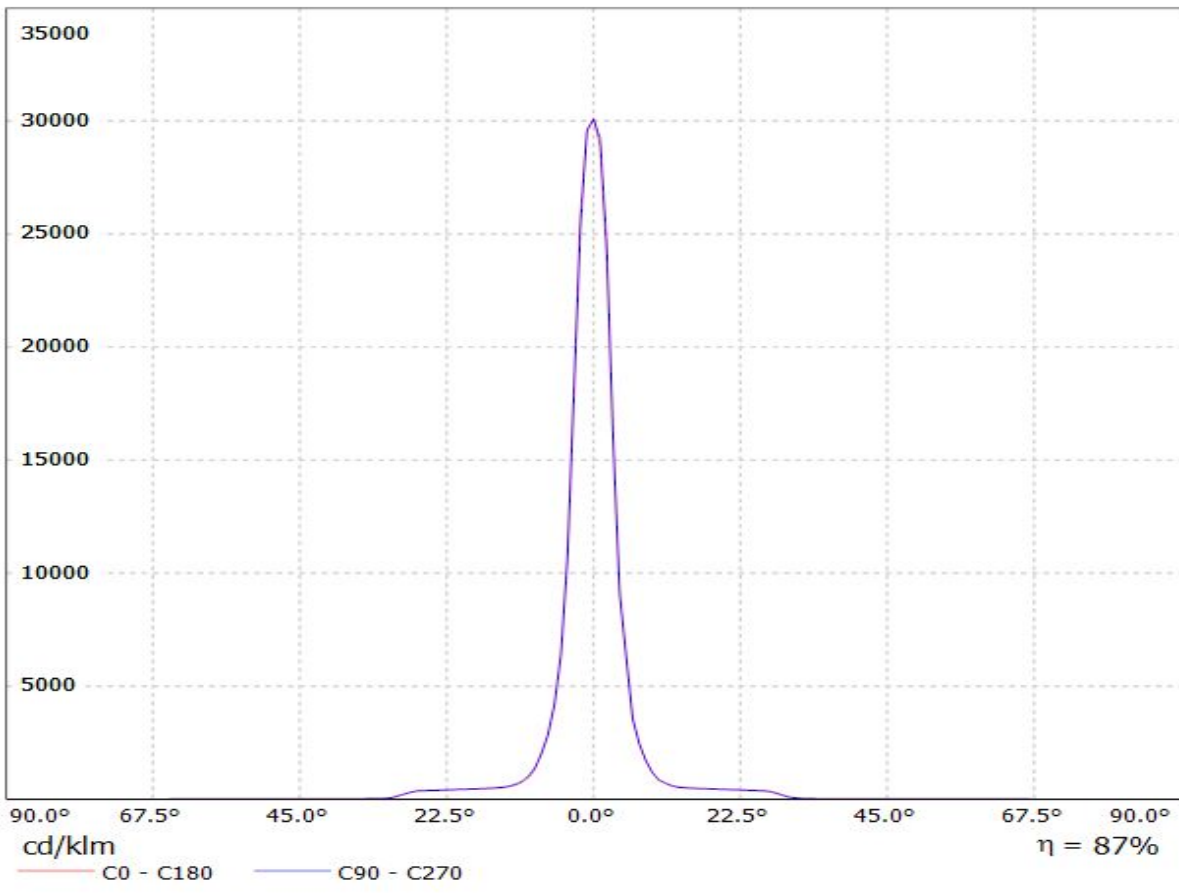
1

1

D A

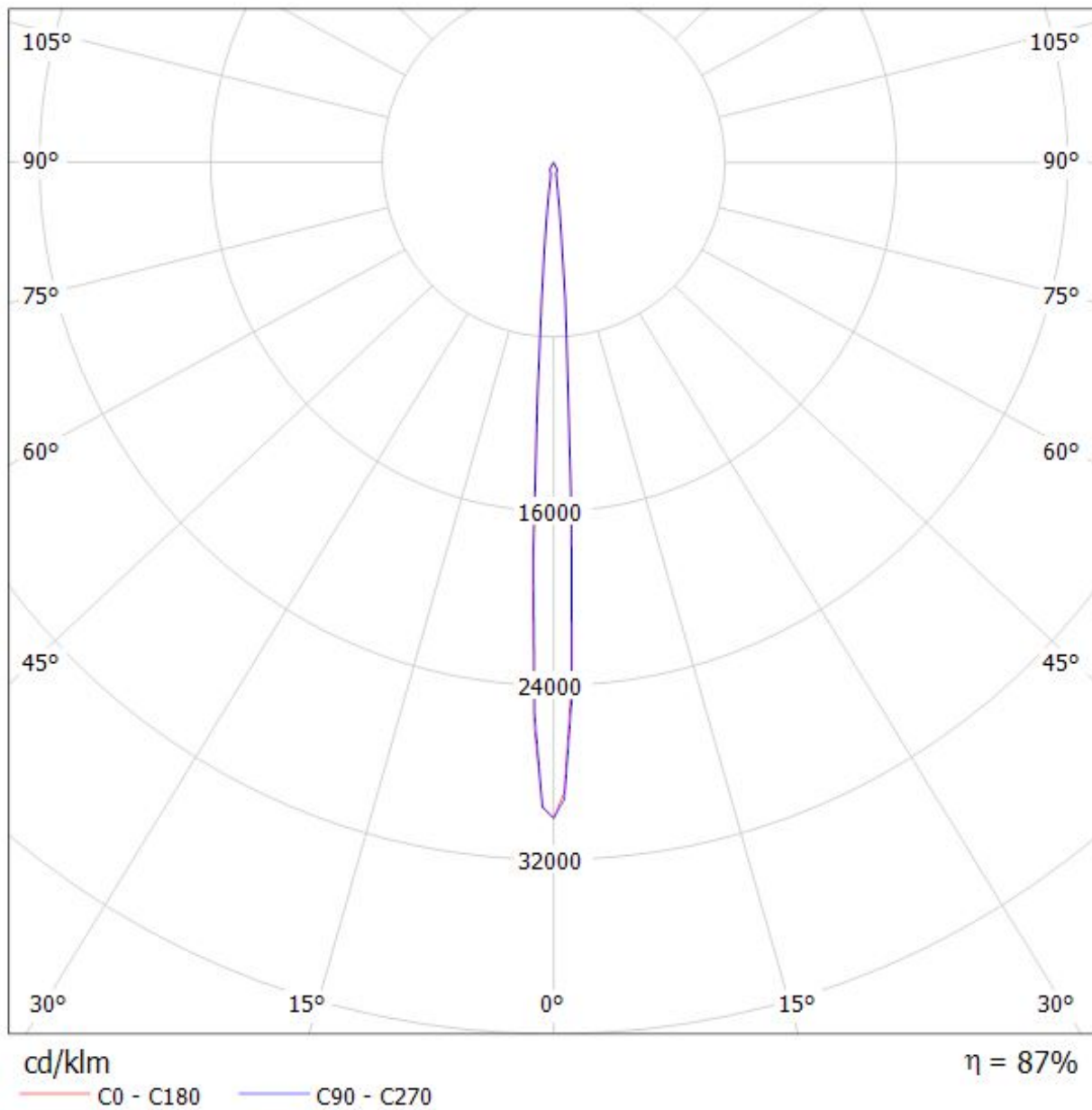
Luminaire: LEDiL Oy CN13187\_LENA-S\_(CXA1520)

Lamps: 1 x CREE\_CXA1520\_(CXA1520-30F-N4-N0H-0001)\_972.29@250mA\_CCT=3000K\_P=8.22841W\_I=249.8mA



Luminaire: LEDiL Oy CN13187\_LENA-S\_(CXA1520)

Lamps: 1 x CREE\_CXA1520\_(CXA1520-30F-N4-N0H-0001)\_972.29@250mA\_CCT=3000K\_P=8.22841W\_I=249.8mA



**NOTE: The typical divergence will be changed by different color, chip size and chip position tolerance. The typical total divergence is the full angle measured where the luminous intensity is half of the peak value.**

### **GENERAL INFORMATION**

- Product series especially designed & optimized for series of LEDs.
- Special care taken to make light distribution as uniform as possible.

Note! Due to use of high power COB's with this product, special attention to proper thermal design is highly recommended. LEDiL has no liability for direct, indirect or consecutive damages arising from the LEDiL products being used outside of the recommended temperature range.