



1 Mbit/s High Speed Transistor Coupler

Features

- High speed 1Mbit/s
- High isolation voltage between input and output (Viso=3750 Vrms)
- Guaranteed CTR performance from 0°C to 70°C
- Wide operating temperature range of -40°C to 100°C
- Green Package
- Regulatory Approvals
 - UL - UL1577 (E364000)
 - VDE - EN60747-5-5(VDE0884-5)
 - CQC – GB4943.1, GB8898
 - IEC60065, IEC60950

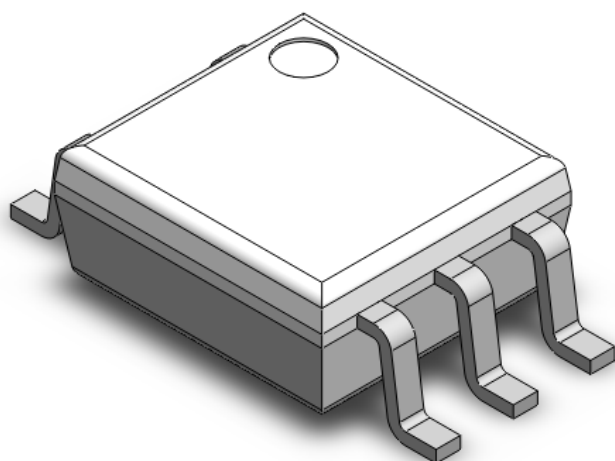
Description

The CTM452 and CTM453 devices each consist of an infrared emitting diode, optically coupled to a high speed photo detector transistor. A separate connection for the photodiode bias and output-transistor collector increase the speed by several orders of magnitude over conventional phototransistor couplers by reducing the base-collector capacitance of the input transistor. The devices are packaged in a Mini-Flat package .

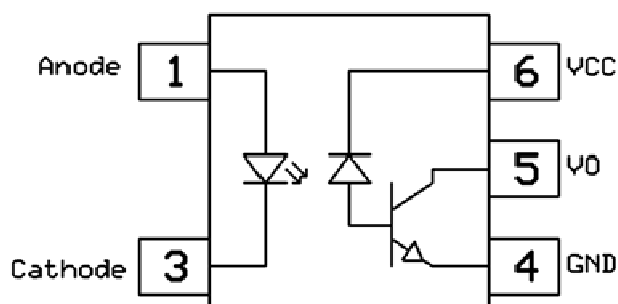
Applications

- Line receivers
- Telecommunication equipment
- Feedback loop in switch-mode power supplies
- Home appliances
- High speed logic ground isolation

Package Outline



Schematic



**Absolute Maximum Rating at 25°C**

Symbol	Parameters	Ratings	Units	Notes
V _{ISO}	Isolation voltage *1	3750	V _{RMS}	
T _{OPR}	Operating temperature	-55 ~ +100	°C	
T _{STG}	Storage temperature	-55 ~ +125	°C	
T _{SOL}	Soldering temperature *2	260	°C	
Emitter				
I _F	Forward current	25	mA	
I _{FP}	Peak forward current (50% duty, 1ms P.W)	50	mA	
I _{F(TRANS)}	Peak transient current (≤1μs P.W,300pps)	1	A	
V _R	Reverse voltage	5	V	
P _D	Power dissipation	45	mW	
Detector				
P _D	Power dissipation	100	mW	
I _{O(AVG)}	Average Output current	8	mA	
I _{O(Peak)}	Peak Output current	16	mA	
V _O	Output voltage	-0.5 to 20	V	
V _{CC}	Supply voltage	-0.5 to 30	V	

**Electrical Characteristics**

$T_A = 0 - 70^\circ\text{C}$ (unless otherwise specified). Typical values are measured at $T_A = 25^\circ\text{C}$ and $V_{CC}=5\text{V}$

Emitter Characteristics

Symbol	Parameters	Test Conditions	Min	Typ	Max	Units	Notes
V_F	Forward voltage	$I_F = 16\text{mA}$	-	1.45	1.6	V	
V_R	Reverse Voltage	$I_R = 10\mu\text{A}$	5.0	-	-	V	
$\Delta V_F/\Delta T_A$	Temperature coefficient of forward voltage	$I_F = 16\text{mA}$	-	-1.6	-	mV/ $^\circ\text{C}$	

Detector Characteristics

Symbol	Parameters	Test Conditions	Min	Typ	Max	Units	Notes
I_{OH}	Logic High Output Current	$I_F=0\text{mA}$, $V_O=V_{CC}=5.5\text{V}$, $T_A=25^\circ\text{C}$	-	0.001	0.5	μA	
		$I_F=0\text{mA}$, $V_O=V_{CC}=15\text{V}$, $T_A=25^\circ\text{C}$	-	0.01	1		
		$I_F=0\text{mA}$, $V_O=V_{CC}=15\text{V}$	-	-	50		
I_{CCL}	Logic Low Supply Current	$I_F=16\text{mA}$, $V_O=\text{Open}$, $V_{CC}=15\text{V}$	-	120	200	μA	
I_{CCH}	Logic High Supply Current	$I_F=0\text{mA}$, $V_O=\text{Open}$, $V_{CC}=15\text{V}$, $T_A=25^\circ\text{C}$	-	0.01	1	μA	
		$I_F=0\text{mA}$, $V_O=\text{Open}$, $V_{CC}=15\text{V}$	-	-	2		



Electrical Characteristics

T_A = 0 - 70 °C (unless otherwise specified). Typical values are measured at T_A = 25°C and V_{CC}=5V

Transfer Characteristics

Symbol	Parameters	Test Conditions	Min	Typ	Max	Units	Notes
CTR	Current Transfer Ratio	I _F =16mA, V _O =0.4V, V _{CC} =4.5V, T _A =25 °C	20	-	50	%	
		I _F =16mA, V _O =0.5V, V _{CC} =4.5V	15	-	-		
V _{OL}	Logic Low Output Voltage	I _F =16mA, I _O =3mA, V _{CC} =4.5V, T _A =25 °C	-	-	0.4	V	
		I _F =16mA, I _O =2.4mA, V _{CC} =4.5V	-	-	0.5		

Electrical Characteristics

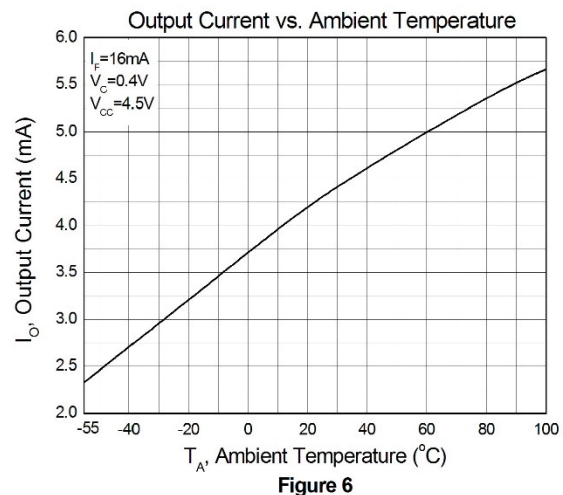
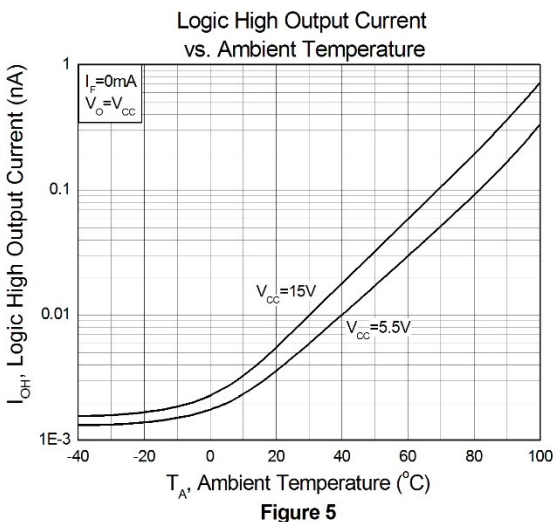
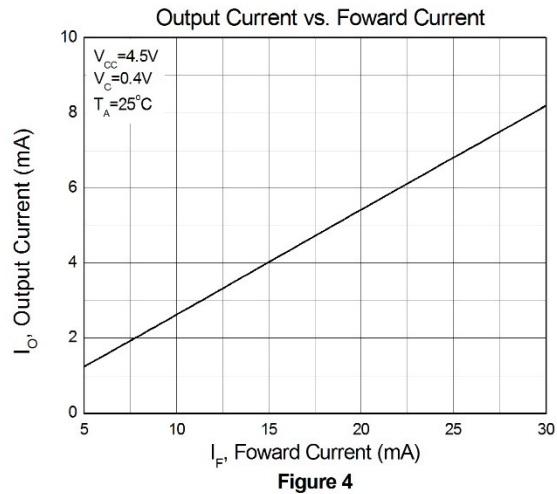
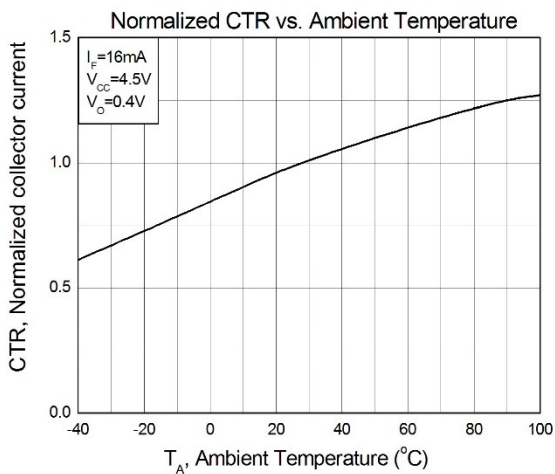
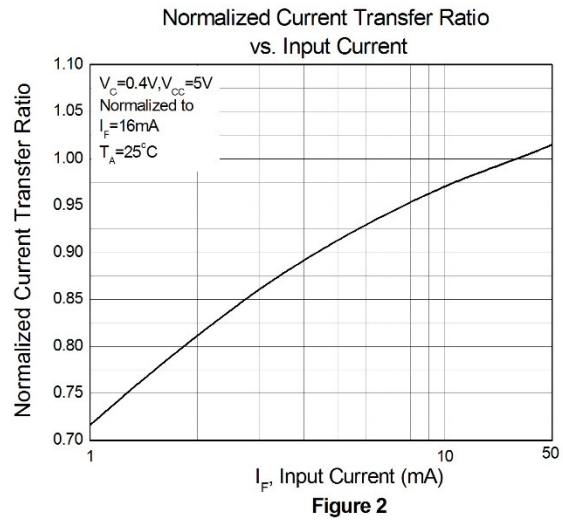
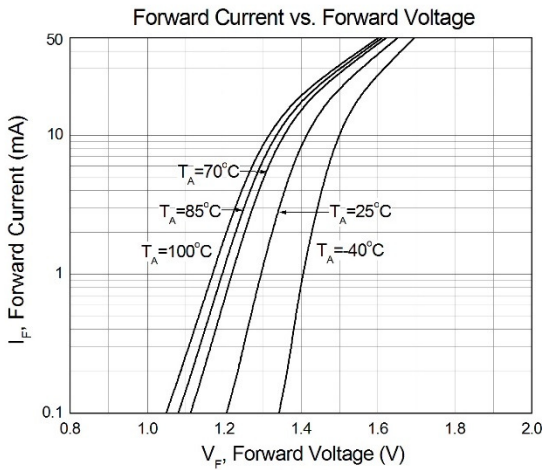
T_A = 0 - 70 °C (unless otherwise specified). Typical values are measured at T_A = 25°C and V_{CC}=5V

Switching Characteristics

Symbol	Parameters		Test Conditions	Min	Typ	Max	Units	Notes
T _{PHL}	Propagation Delay Time Logic High to Logic Low		I _F =16mA, R _L =1.9KΩ, T _A =25 °C	-	0.35	0.8	μs	
			I _F =16mA, R _L =1.9KΩ	-	-	1.0		
T _{PLH}	Propagation Delay Time Logic Low to Logic High		I _F =16mA, R _L =1.9KΩ, T _A =25 °C	-	0.3	0.8	μs	
			I _F =16mA, R _L =1.9KΩ	-	-	1.0		
CM _H	Common Mode Transient Immunity at Logic High	CTM452	I _F = 0mA , V _{CM} =10Vp-p, R _L =1.9KΩ, T _A =25 °C	5,000	-	-	V/μs	
		CTM453	I _F = 0mA , V _{CM} =1500Vp-p, R _L =1.9KΩ, T _A =25 °C	15,000	-	-		
CM _L	Common Mode Transient Immunity at Logic Low	CTM452	I _F = 16mA , V _{CM} =10Vp-p, R _L =1.9KΩ, T _A =25 °C	5,000	-	-	V/μs	
		CTM453	I _F = 16mA , V _{CM} =1500Vp-p, R _L =1.9KΩ, T _A =25 °C	15,000	-	-		



Typical Characteristic Curves





Typical Characteristic Curves

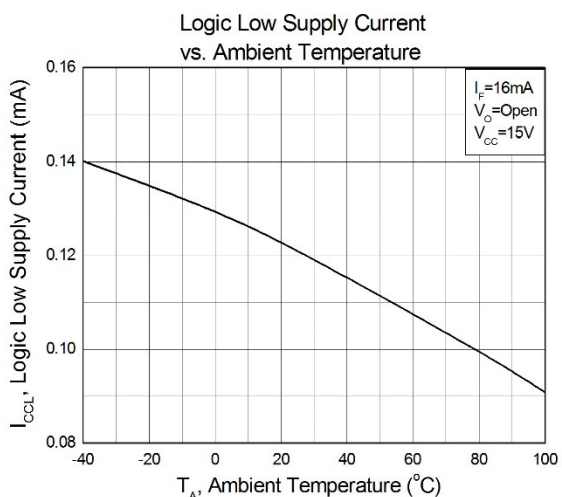


Figure 7

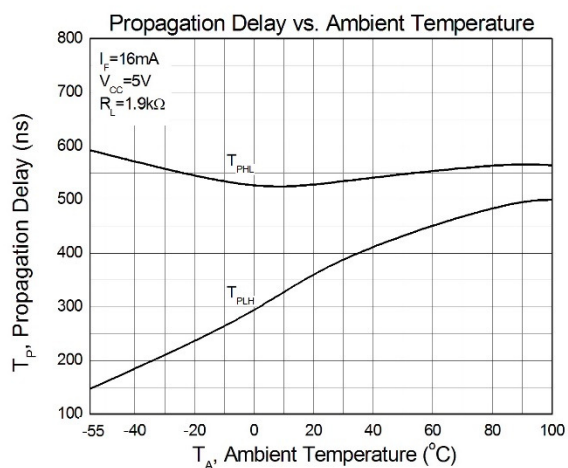


Figure 8

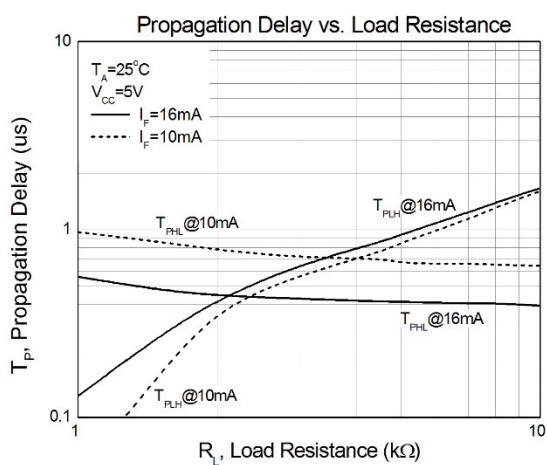


Figure 9

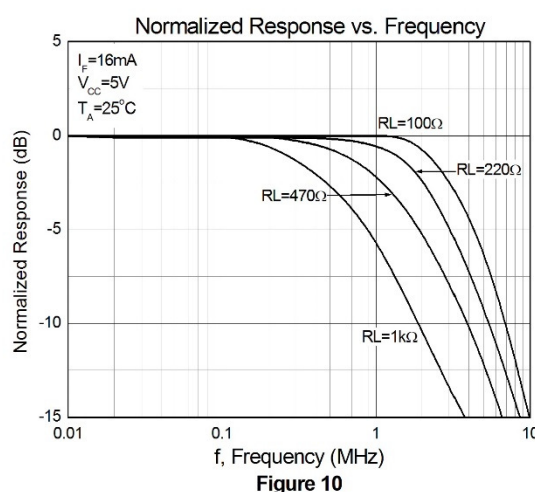
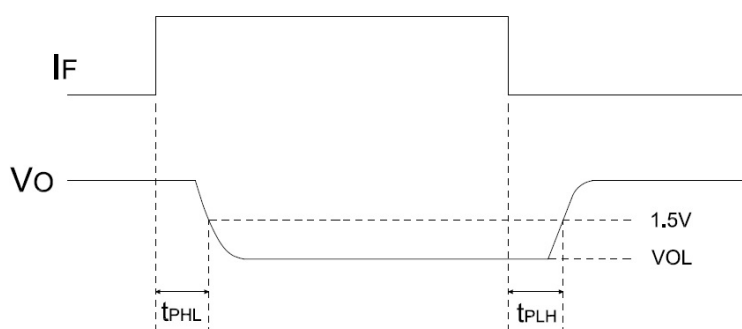
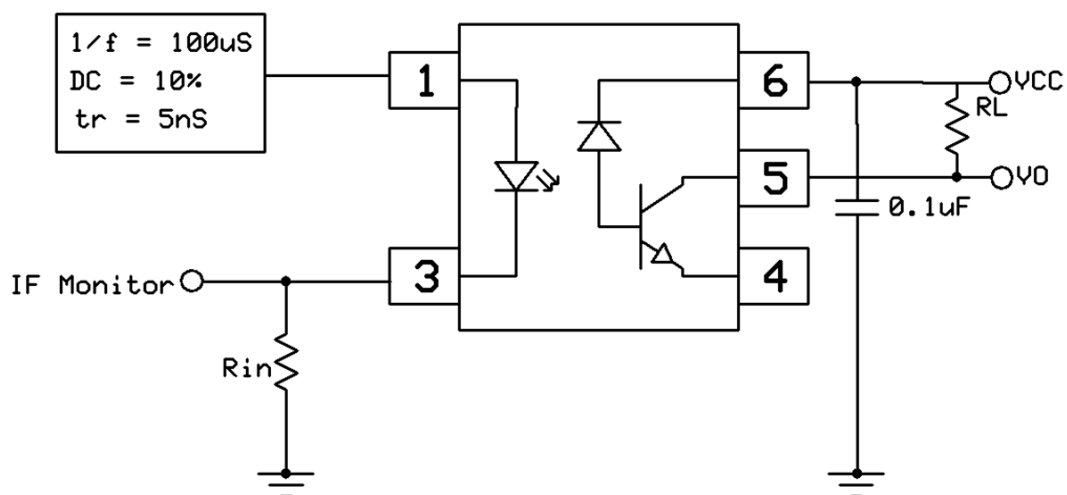


Figure 10



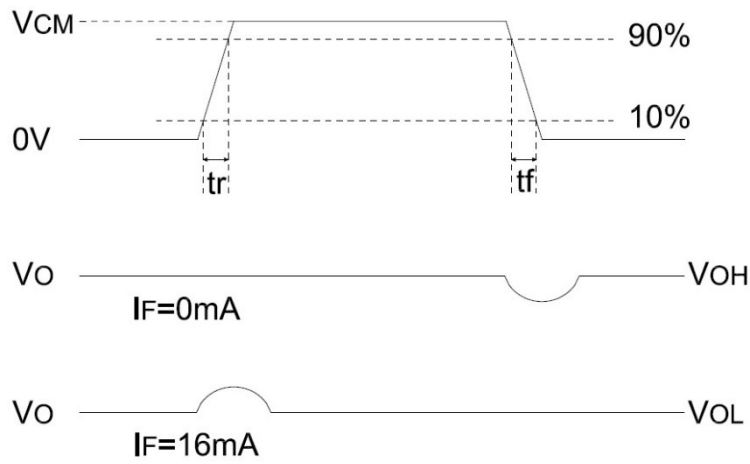
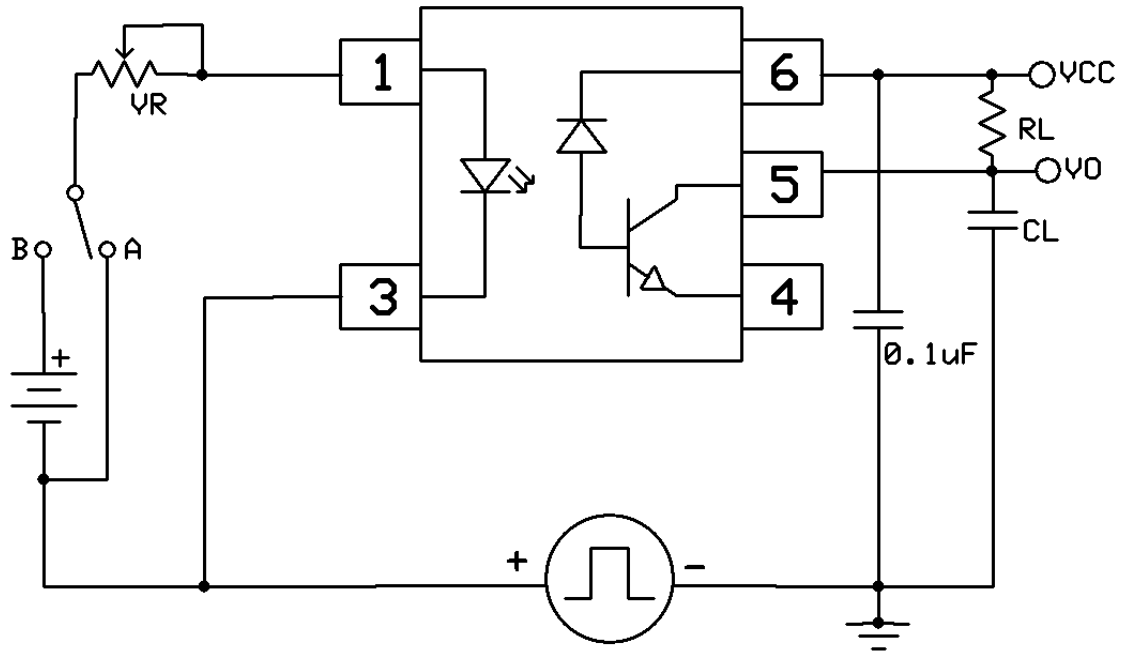
Test Circuits



Switching Time Test Circuit



Test Circuits



CMR Test Circuit

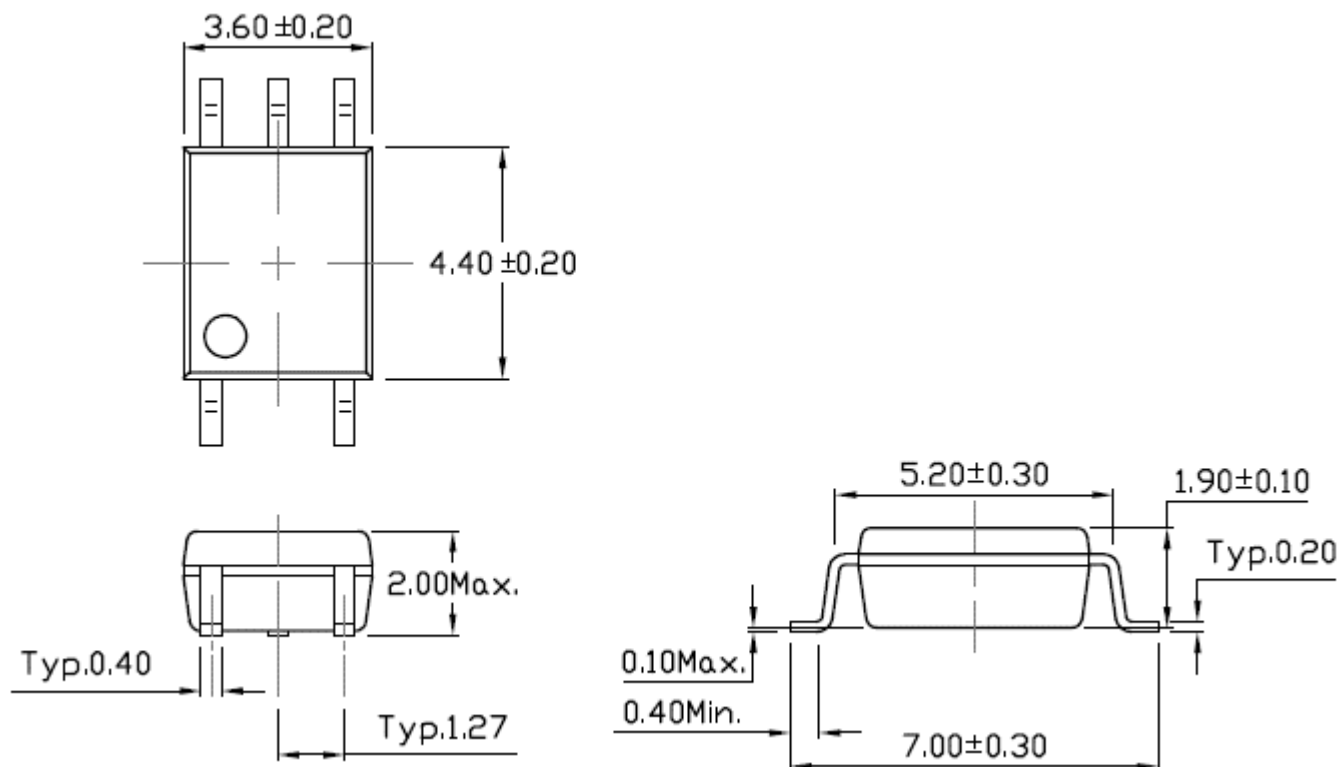


CTM452, CTM453

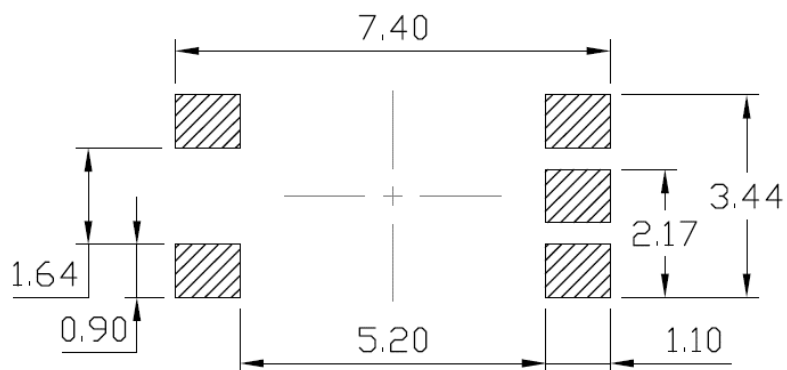
5 Pin Mini-Flat

1 Mbit/s High Speed Transistor Coupler

Package Dimension *Dimensions in mm unless otherwise stated*



Recommended Solder Mask *Dimensions in mm unless otherwise stated*





Marking Information



Note:

- CT : Denotes “CT Micro”
- M453 : Product Number
- V : VDE Option
- Y : Fiscal Year
- WW : Work Week
- K : Production Code

Ordering Information

CTM45X(V)(Z)

X = Part No. (X=2 or 3)

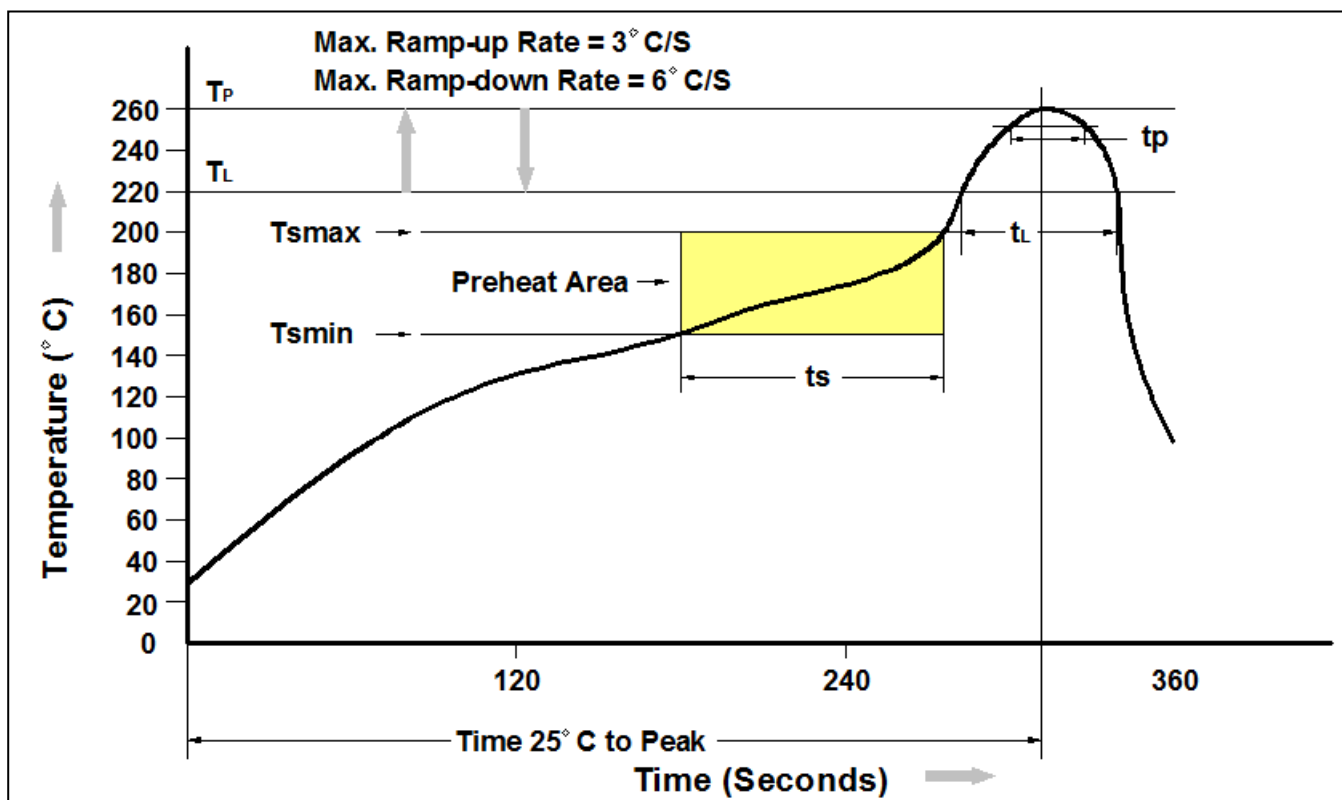
V = VDE Option (V or none)

Z = Tape and reel option (T1 or T2)

Option	Description	Quantity
T1	Surface Mount Lead Forming – With Option 1 Taping	3000 Units/Reel
T2	Surface Mount Lead Forming – With Option 2 Taping	3000 Units/Reel



Reflow Profile



Profile Feature	Pb-Free Assembly Profile
Temperature Min. (Tsmin)	150 °C
Temperature Max. (Tsmax)	200 °C
Time (ts) from (Tsmin to Tsmax)	60-120 seconds
Ramp-up Rate (tl to tp)	3°C/second max.
Liquidous Temperature (Tl)	217 °C
Time (tl) Maintained Above (Tl)	60 – 150 seconds
Peak Body Package Temperature	260 °C +0 °C / -5 °C
Time (tp) within 5 °C of 260 °C	30 seconds
Ramp-down Rate (Tp to Tl)	6°C/second max
Time 25 °C to Peak Temperature	8 minutes max.



CTM452, CTM453

5 Pin Mini-Flat

1 Mbit/s High Speed Transistor Coupler

DISCLAIMER

CT MICRO RESERVES THE RIGHT TO MAKE CHANGES WITHOUT FURTHER NOTICE TO ANY PRODUCTS HEREIN TO IMPROVE RELIABILITY, FUNCTION OR DESIGN. CT MICRO DOES NOT ASSUME ANY LIABILITY ARISING OUT OF THE APPLICATION OR USE OF ANY PRODUCT OR CIRCUIT DESCRIBED HEREIN; NEITHER DOES IT CONVEY ANY LICENSE UNDER ITS PATENT RIGHTS, NOR THE RIGHTS OF OTHERS.

DISCOLORATION MIGHT OCCUR ON THE PACKAGE SURFACE AFTER SOLDERING, REFLOW OR LONG TERM USE. THIS DOES NOT IMPACT THE PRODUCT PERFORMANCE NOR THE PRODUCT RELIABILITY.

CT MICRO ARE NOT AUTHORIZED FOR USE AS CRITICAL COMPONENTS IN LIFE SUPPORT DEVICES OR SYSTEMS WITHOUT EXPRESS WRITTEN APPROVAL OF CT MICRO INTERNATIONAL CORPORATION.

- 1. Life support devices or systems are devices or systems which, (a) are intended for surgical implant into the body, or (b) support or sustain life, or (c) whose failure to perform when properly used in accordance with instruction for use provided in the labelling, can be reasonably expected to result in significant injury to the user.*
- 2. A critical component is any component of a life support device or system whose failure to perform can be reasonably expected to cause the failure of the life support device or system, or to affect its safety or effectiveness.*