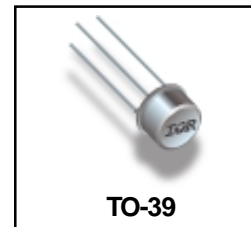


**HEXFET® POWER MOSFET
 THRU-HOLE (TO-39)**

**IRF7F3704
 20V, N-CHANNEL**

Product Summary

| Part Number | BV _{DSS} | R _{DS(on)} | I _D |
|-------------|-------------------|---------------------|----------------|
| IRF7F3704 | 20V | 0.035Ω | 12A* |



Seventh Generation HEXFET® power MOSFETs from International Rectifier utilize advanced processing techniques to achieve the lowest possible on-resistance per silicon unit area. This benefit, combined with the fast switching speed and ruggedized device design that HEXFET power MOSFETs are well known for, provides the designer with an extremely efficient device for use in a wide variety of applications.

These devices are well-suited for applications such as switching power supplies, motor controls, inverters, choppers, audio amplifiers and high-energy pulse circuits.

Features:

- Low R_{DS(on)}
- Avalanche Energy Ratings
- Dynamic dv/dt Rating
- Simple Drive Requirements
- Ease of Paralleling
- Hermetically Sealed
- Light Weight

Absolute Maximum Ratings

| | Parameter | | Units |
|--|---------------------------------|--|-------|
| I _D @ V _{GS} = 10V, T _C = 25°C | Continuous Drain Current | 12* | A |
| I _D @ V _{GS} = 10V, T _C = 100°C | Continuous Drain Current | 12* | |
| I _{DM} | Pulsed Drain Current ① | 48 | |
| P _D @ T _C = 25°C | Max. Power Dissipation | 20 | W |
| | Linear Derating Factor | 0.16 | W/°C |
| V _{GS} | Gate-to-Source Voltage | ±20 | V |
| EAS | Single Pulse Avalanche Energy ② | 190 | mJ |
| I _{AR} | Avalanche Current ① | 12 | A |
| EAR | Repetitive Avalanche Energy ① | 2.0 | mJ |
| dv/dt | Peak Diode Recovery dv/dt ③ | 0.5 | V/ns |
| T _J | Operating Junction | -55 to 150 | °C |
| T _{STG} | Storage Temperature Range | | |
| | Lead Temperature | 300 (0.063 in./1.6mm from case for 10s) | |
| | Weight | 0.98 (Typical) | g |

* Current is limited by package

For footnotes refer to the last page

Electrical Characteristics @ T_j = 25°C (Unless Otherwise Specified)

| | Parameter | Min | Typ | Max | Units | Test Conditions |
|-------------------------------------|--|-----|-------|---------------|---------------------|---|
| BV _{DSS} | Drain-to-Source Breakdown Voltage | 20 | — | — | V | V _{GS} = 0V, I _D = 250μA |
| ΔBV _{DSS} /ΔT _J | Temperature Coefficient of Breakdown Voltage | — | 0.024 | — | V/°C | Reference to 25°C, I _D = 1.0mA |
| R _{DS(on)} | Static Drain-to-Source On-State Resistance | — | — | 0.035 0.04 | Ω | V _{GS} = 10V, I _D = 12A ④ V _{GS} = 4.5V, I _D = 12A |
| V _{GS(th)} | Gate Threshold Voltage | 1.0 | — | 3.0 | V | V _{DS} = V _{GS} , I _D = 250μA |
| g _{fs} | Forward Transconductance | 20 | — | — | S (r _θ) | V _{DS} = 10V, I _{DS} = 12A ④ |
| I _{DSS} | Zero Gate Voltage Drain Current | — | — | 20 100 | μA | V _{DS} = 20V, V _{GS} = 0V V _{DS} = 16V, V _{GS} = 0V, T _J = 125°C |
| I _{GSS} | Gate-to-Source Leakage Forward | — | — | 100 | nA | V _{GS} = -20V |
| I _{GSS} | Gate-to-Source Leakage Reverse | — | — | -100 | nA | V _{GS} = -20V |
| Q _g | Total Gate Charge | — | — | 19 | nC | V _{GS} = 4.5V, I _D = 12A |
| Q _{gs} | Gate-to-Source Charge | — | — | 8.0 | nC | V _{DS} = 10V |
| Q _{gd} | Gate-to-Drain ('Miller') Charge | — | — | 6.0 | nC | |
| t _{d(on)} | Turn-On Delay Time | — | — | 30 | ns | V _{DD} = 10V, I _D = 12A, V _{GS} = 4.5V, R _G = 1.8Ω |
| t _r | Rise Time | — | — | 175 | | |
| t _{d(off)} | Turn-Off Delay Time | — | — | 175 | | |
| t _f | Fall Time | — | — | 100 | | |
| L _S + L _D | Total Inductance | — | 7.0 | — | nH | Measured from drain lead (6mm/ 0.25in. from package) to source lead (6mm/0.25in. from package) |
| C _{iss} | Input Capacitance | — | 1860 | — | pF | V _{GS} = 0V, V _{DS} = 10V f = 1.0MHz |
| C _{oss} | Output Capacitance | — | 990 | — | | |
| C _{rss} | Reverse Transfer Capacitance | — | 55 | — | | |

Source-Drain Diode Ratings and Characteristics

| | Parameter | Min | Typ | Max | Units | Test Conditions |
|-----------------|--|--|-----|-----|-------|---|
| I _S | Continuous Source Current (Body Diode) | — | — | 12* | A | T _j = 25°C, I _S = 12A, V _{GS} = 0V ④ |
| I _{SM} | Pulse Source Current (Body Diode) ① | — | — | 48 | | |
| V _{SD} | Diode Forward Voltage | — | — | 1.3 | V | T _j = 25°C, I _F = 12A, di/dt ≤ 100A/μs |
| t _{rr} | Reverse Recovery Time | — | — | 57 | ns | V _{DD} ≤ 16V ④ |
| Q _{RR} | Reverse Recovery Charge | — | — | 60 | nC | |
| t _{on} | Forward Turn-On Time | Intrinsic turn-on time is negligible. Turn-on speed is substantially controlled by L _S + L _D . | | | | |

* Current is limited by package

Thermal Resistance

| | Parameter | Min | Typ | Max | Units | Test Conditions |
|-------------------|---------------------|-----|-----|------|-------|----------------------|
| R _{thJC} | Junction-to-Case | — | — | 6.25 | °C/W | Typical socket mount |
| R _{thJA} | Junction-to-Ambient | — | — | 175 | | |

Note: Corresponding Spice and Saber models are available on the Website.

For footnotes refer to the last page

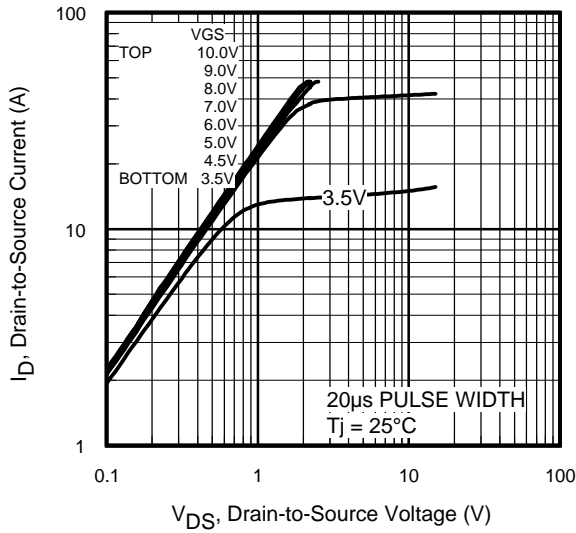


Fig 1. Typical Output Characteristics

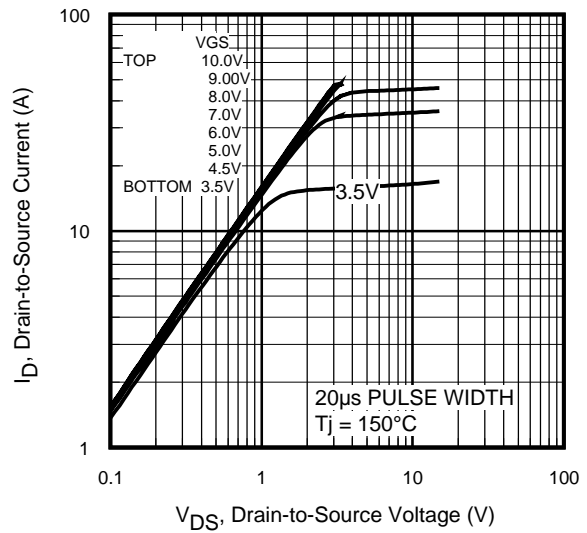


Fig 2. Typical Output Characteristics

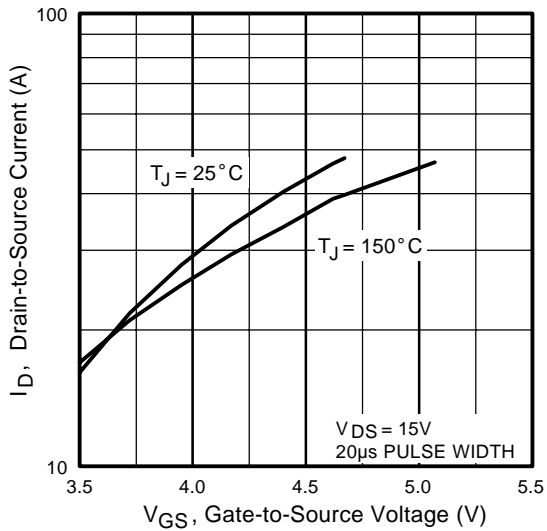


Fig 3. Typical Transfer Characteristics

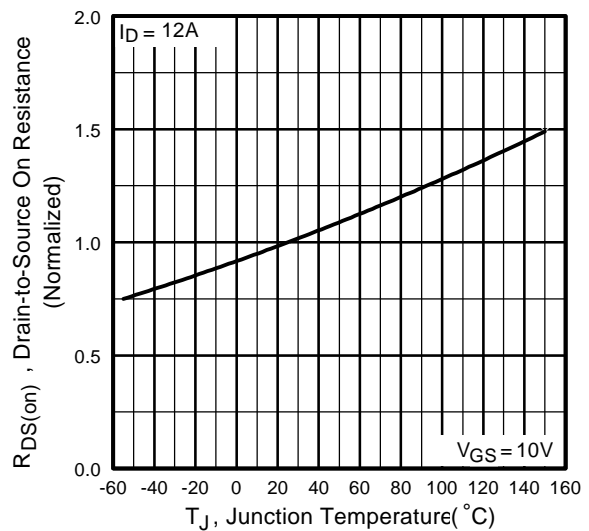


Fig 4. Normalized On-Resistance Vs. Temperature

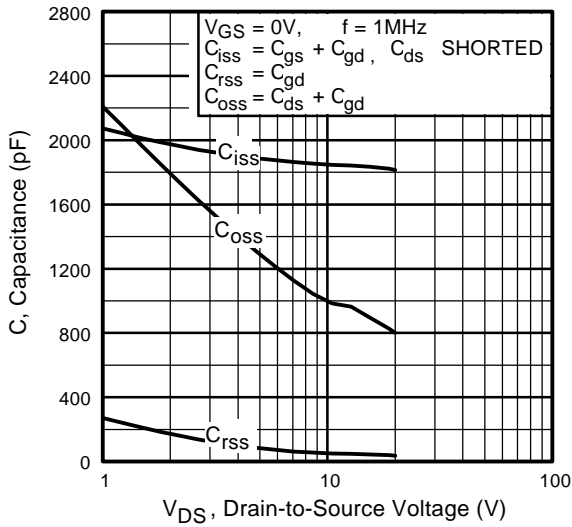


Fig 5. Typical Capacitance Vs. Drain-to-Source Voltage

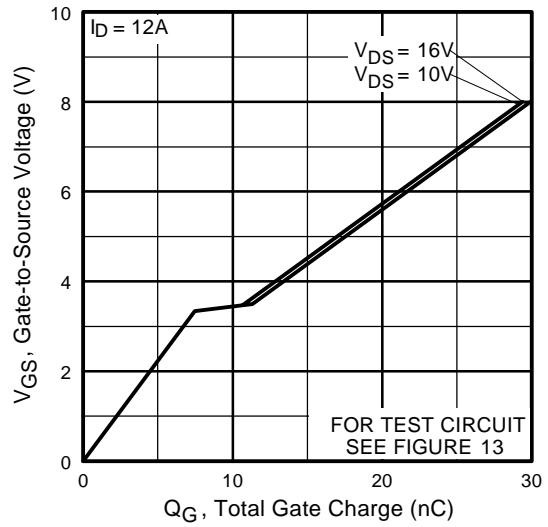


Fig 6. Typical Gate Charge Vs. Gate-to-Source Voltage

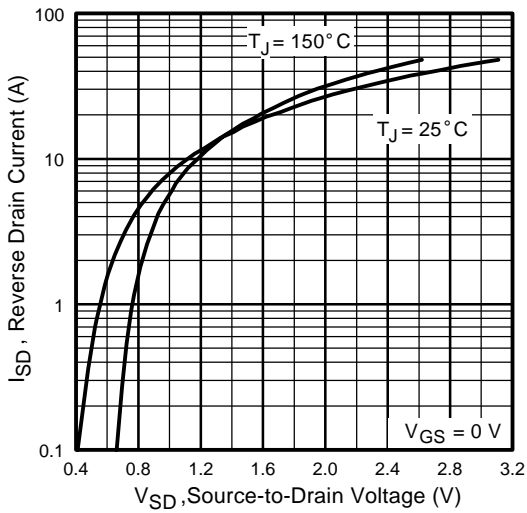


Fig 7. Typical Source-Drain Diode Forward Voltage

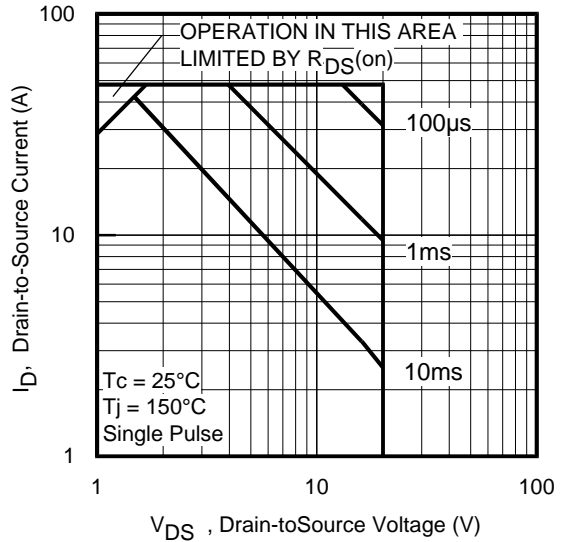


Fig 8. Maximum Safe Operating Area

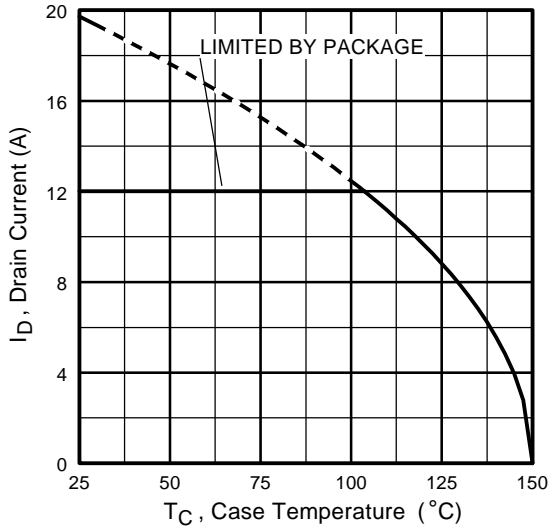


Fig 9. Maximum Drain Current Vs. Case Temperature

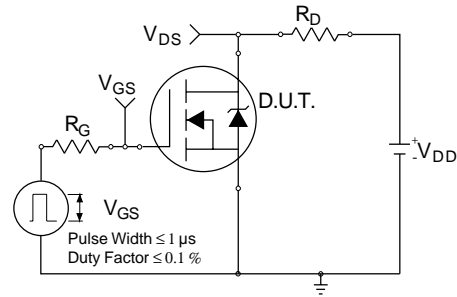


Fig 10a. Switching Time Test Circuit

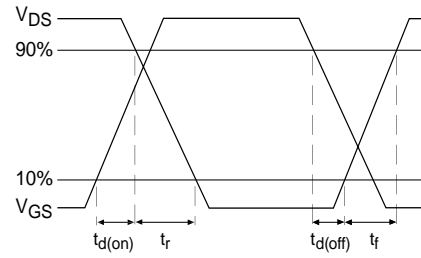


Fig 10b. Switching Time Waveforms

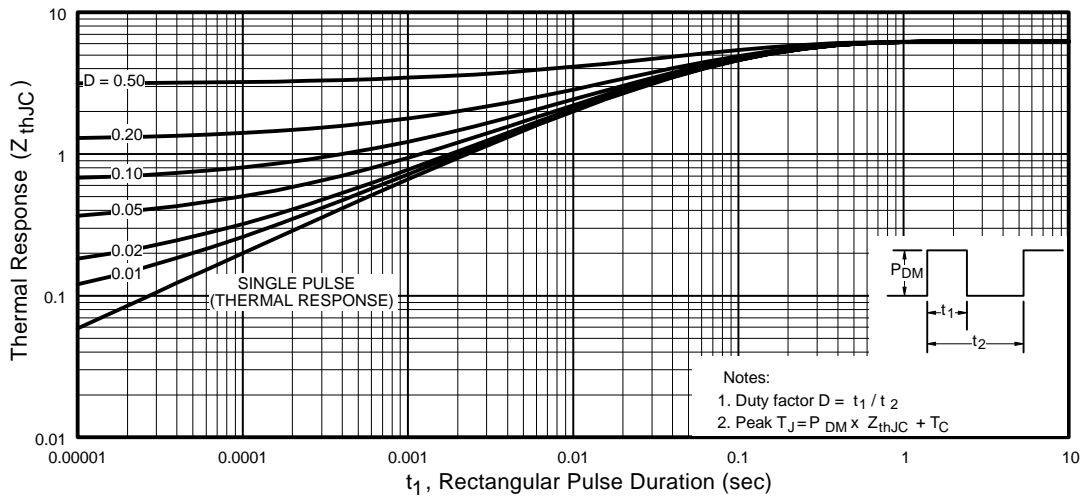


Fig 11. Maximum Effective Transient Thermal Impedance, Junction-to-Case

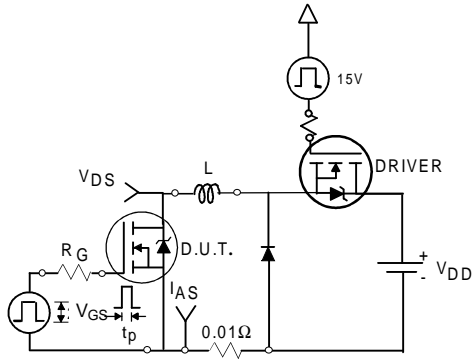


Fig 12a. Unclamped Inductive Test Circuit

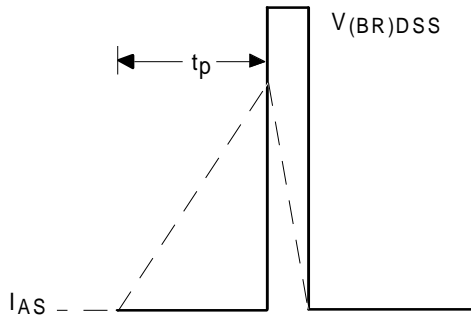


Fig 12b. Unclamped Inductive Waveforms

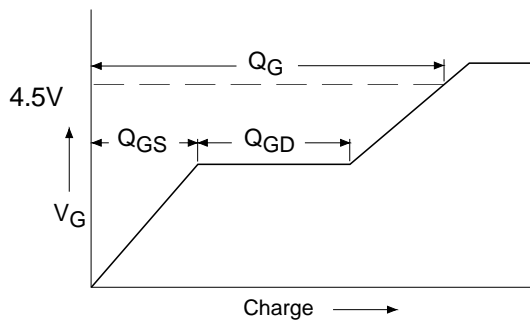


Fig 13a. Basic Gate Charge Waveform

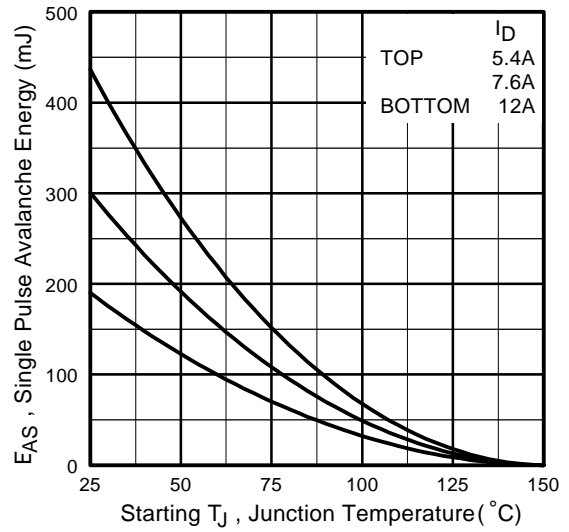


Fig 12c. Maximum Avalanche Energy Vs. Drain Current

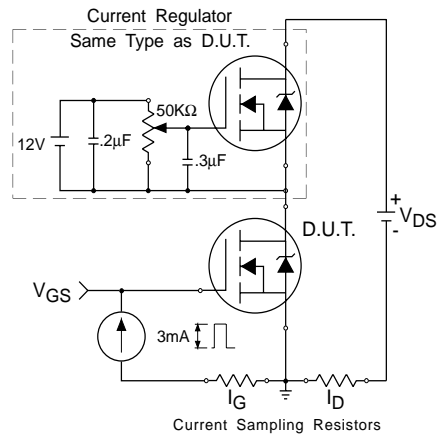
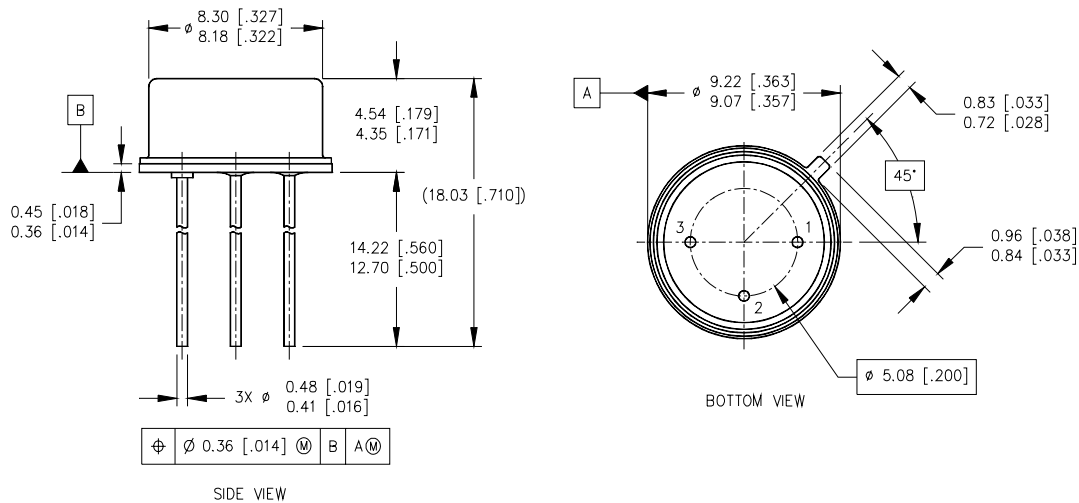


Fig 13b. Gate Charge Test Circuit

Footnotes:

- ① Repetitive Rating; Pulse width limited by maximum junction temperature.
- ② $V_{DD} = 15\text{ V}$, Starting $T_J = 25^\circ\text{C}$, $L = 2.7\text{mH}$
Peak $I_{AS} = 12\text{A}$, $V_{GS} = 10\text{V}$, $R_G = 25\Omega$
- ③ $I_{SD} \leq 12\text{A}$, $di/dt \leq 80\text{A}/\mu\text{s}$,
 $V_{DD} \leq 20\text{V}$, $T_J \leq 150^\circ\text{C}$
- ④ Pulse width $\leq 300\ \mu\text{s}$; Duty Cycle $\leq 2\%$

Case Outline and Dimensions — TO-205AF (Modified TO-39)



NOTES:

- 1. DIMENSIONING AND TOLERANCING PER ASME 14.5M-1994.
- 2. DIMENSIONS ARE SHOWN IN MILLIMETERS [INCHES].
- 3. CONTROLLING DIMENSION: INCH.
- 4. CONFORMS TO JEDEC OUTLINE TO-205AF (TO-39).

LEGEND

- 1- SOURCE
- 2- GATE
- 3- DRAIN