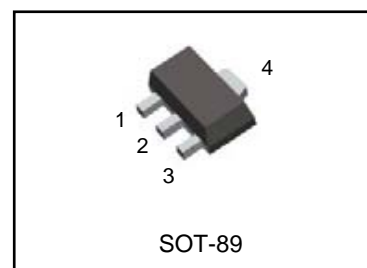


PNPSURFACEMOUNTTRANSISTOR

- We declare that the material of product compliance with RoHS requirements.

L2SB882Q
L2SB882P

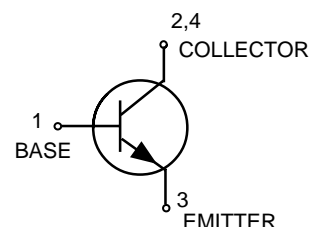


DEVICE MARKING AND ORDERING INFORMATION

| Device | Marking | Shipping |
|----------|---------|----------------|
| L2SB882Q | 82Q | 2500/Tape&Reel |
| L2SB882P | 82P | 2500/Tape&Reel |

MAXIMUM RATINGS(Ta=25°C)

| Parameter | Symbol | Limits | Unit |
|-----------------------------|------------------|------------|------|
| Collector-base voltage | V _{CB0} | 40 | V |
| Collector-emitter voltage | V _{CEO} | 30 | V |
| Emitter-base voltage | V _{EBO} | 6 | V |
| Peak Pulse Current | I _{CM} | 3 | A |
| Collector power dissipation | P _c | 0.5 | W |
| Junction temperature | T _j | 150 | °C |
| Storage temperature | T _{stg} | -55 to 150 | °C |



ELECTRICAL CHARACTERISTICS(Ta=25°C)

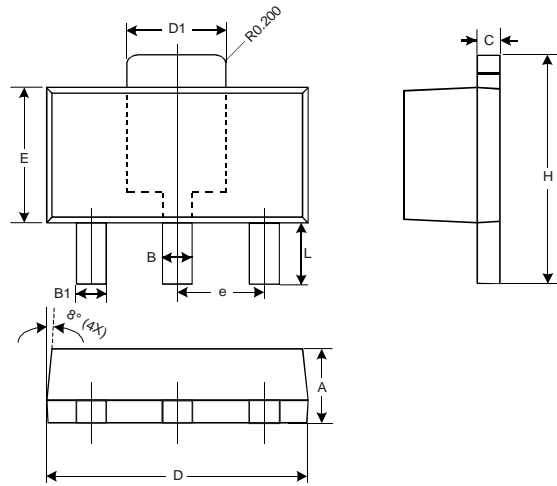
| Parameter | Symbol | Min. | Typ. | Max. | Unit | Conditions |
|--------------------------------------|----------------------|------|------|------|------|--|
| Collector-base breakdown voltage | BV _{CB0} | 40 | - | - | V | I _c = 100μA |
| Collector-emitter breakdown voltage | BV _{CEO} | 30 | - | - | V | I _c = 10mA |
| Emitter-base breakdown voltage | BV _{EBO} | 6 | - | - | V | I _E = 100μA |
| Collector cutoff current | I _{CB0} | - | - | 1 | μA | V _{CB} = 40V |
| Collector cutoff current | I _{CEO} | - | - | 10 | μA | V _{CB} = 30V |
| Emitter cutoff current | I _{EBO} | - | - | 1 | μA | V _{EB} = 6V |
| Collector-emitter saturation voltage | V _{CE(sat)} | - | - | 0.5 | V | I _c /I _B =2A/0.2A |
| Base-emitter saturation voltage | V _{BE(sat)} | - | - | 1.5 | V | I _c /I _B =2A/0.2A |
| DC current transfer ratio | h _{FE(1)} | 100 | - | 320 | - | V _{CE} =2V, I _c =1A |
| DC current transfer ratio | h _{FE} | 32 | - | - | - | V _{CE} =2V, I _c =100mA |
| Transition frequency | f _t | 50 | - | - | MHz | V _{CE} =5V, I _E =0.1A, f=10MHz |

h_{FE(1)} values are classified as follows :

| Item(*) | Q | P |
|-----------------|---------|---------|
| h _{FE} | 100~200 | 160~320 |

SOT-89

Unit: mm



| SOT89-3L | | | |
|-----------------------------|------|------|------|
| Dim | Min | Max | Typ |
| A | 1.40 | 1.60 | 1.50 |
| B | 0.45 | 0.55 | 0.50 |
| B1 | 0.37 | 0.47 | 0.42 |
| C | 0.35 | 0.43 | 0.38 |
| D | 4.40 | 4.60 | 4.50 |
| D1 | 1.50 | 1.70 | 1.60 |
| E | 2.40 | 2.60 | 2.50 |
| e | — | — | 1.50 |
| H | 3.95 | 4.25 | 4.10 |
| L | 0.90 | 1.20 | 1.05 |
| All Dimensions in mm | | | |

