

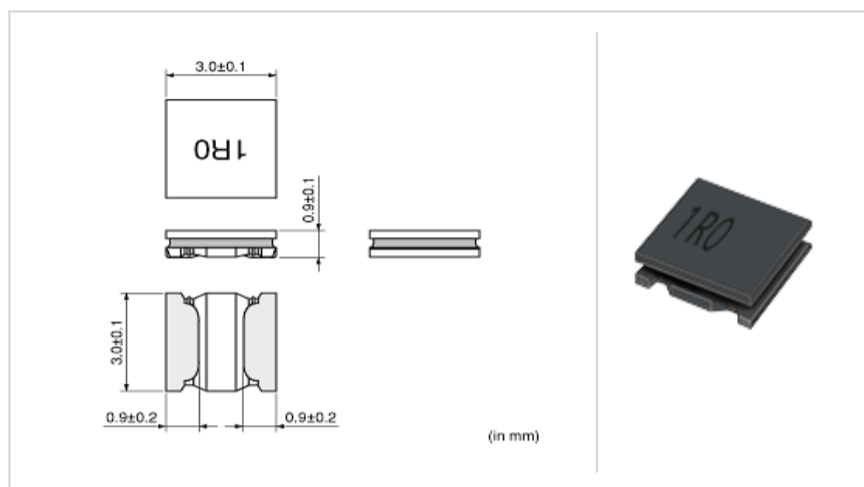
# LQH3NPN220MGR#

" # " indicates a package specification code.

New
In Production
General
105 °C
Wound (Shield)
LowRdc
Reflow OK
RoHS
REACH

< List of part numbers with package codes >  
LQH3NPN220MGR#

## Shape



L size	3.0 ± 0.1mm
W size	3.0 ± 0.1mm
T size	0.9 ± 0.1mm
Size code in inch (mm)	1212 (3030)

## Specifications

Inductance	22µH ± 20%
Inductance test frequency	1MHz
Rated current (Isat) (Based on Inductance change)	390mA
Rated current (Itemp) (Based on Temperature rise)	750mA(Ambient temperature 85 °C) 450mA(Ambient temperature 105 °C)
Max. of DC resistance	0.636
Avg. of DC resistance	0.53 ± 20%
Self resonance frequency (min.)	10MHz
Operating temperature range (Self-temperature rise is included)	-40 ~ 125
Operating temperature range (Self-temperature rise is not included)	-40 ~ 105
Class of magnetic shield	Magnetic shield of magnetic powder in resin

## Notes

When applied Rated current to the Products, Inductance will be within ± 30% of initial inductance value range.  
Keep the temperature(ambient temperature plus self-generation of heat) under 125 °C.  
When applied rated current to the products, temperature rise caused by self-generated heat shall be limited to 40 °C (at the rated current under 85 °C) 20 °C (at the rated current under 105 °C).

## References

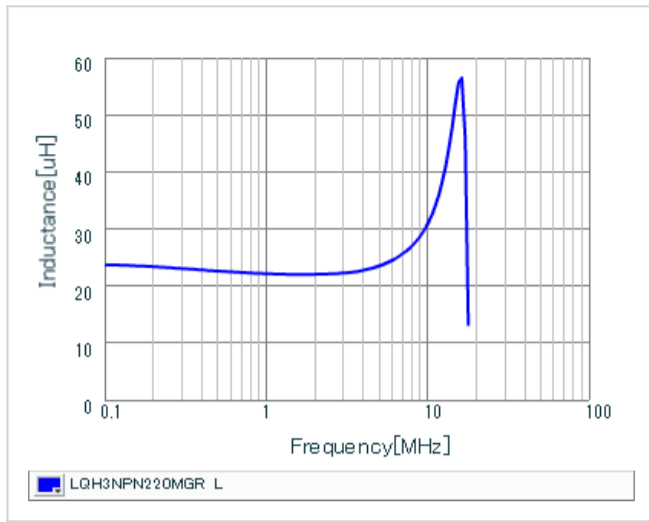
Packaging code	Specifications	Minimum quantity
L	180mm Embossed taping	3000

Mass (Typ.)	
1 piece	0.034g

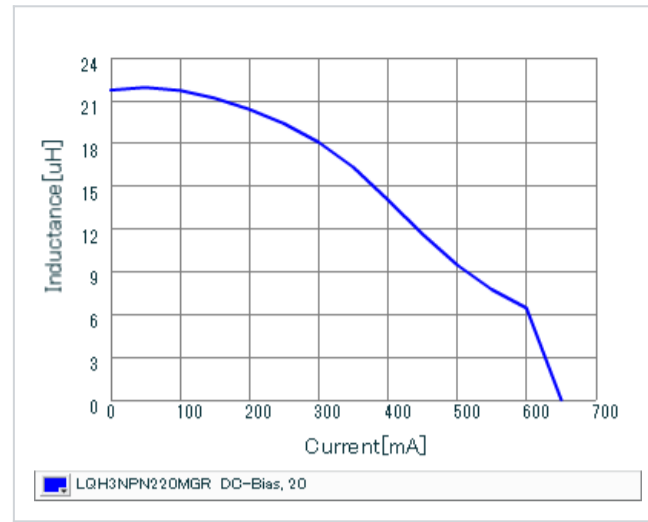
## Attention

- This datasheet is downloaded from the website of Murata Manufacturing Co., Ltd. Therefore, it's specifications are subject to change or our products in it may be discontinued without advance notice. Please check with our sales representatives or product engineers before ordering.
- This datasheet has only typical specifications because there is no space for detailed specifications. Therefore, please review our product specifications or consult the approval sheet for product specifications before ordering.

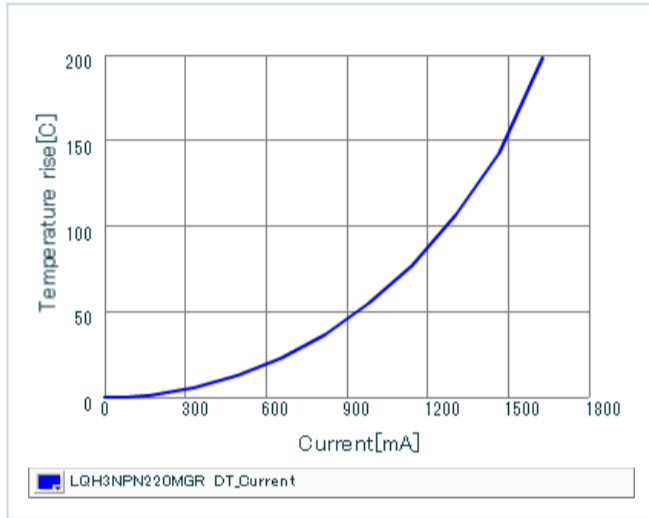
▪ Inductance-Frequency characteristics (Typ.)



▪ Inductance-Current characteristics (Typ.)



▪ Temperature rise characteristics (Typ.)



This PDF data has only typical specifications because there is no space for detailed specifications.

Therefore, please review our product specifications or consult the approval sheet for product specifications before ordering.