



REVISIONS				
SYM	ZONE	ECN, ERN NO.	DATE	APPRD.
F		UPDATED (NEW PAGE)	JAN08/08	
G		DUST COVER OPTION ADDED	JUL08/09	

THIS IS A CAD DRAWING. DO NOT MANUALLY REVISE.

LIGHT PIPE KIT
(SHIPPED LOOSE)
P/N U77-1212-2010P
(IF ORDER SEPARATELY)

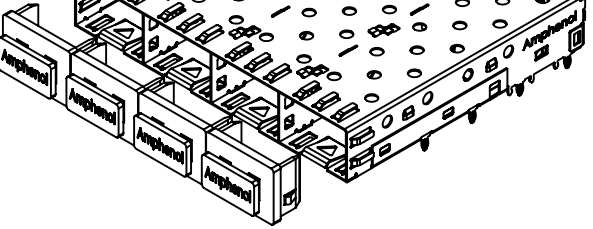
PRESS FIT CAGE
P/N U77-A213X-X001
(IF ORDER SEPARATELY)
(SEE PAGE 3 FOR CAGE
PLATING AND OTHER
OPTIONS)

U77-C211X-XX11

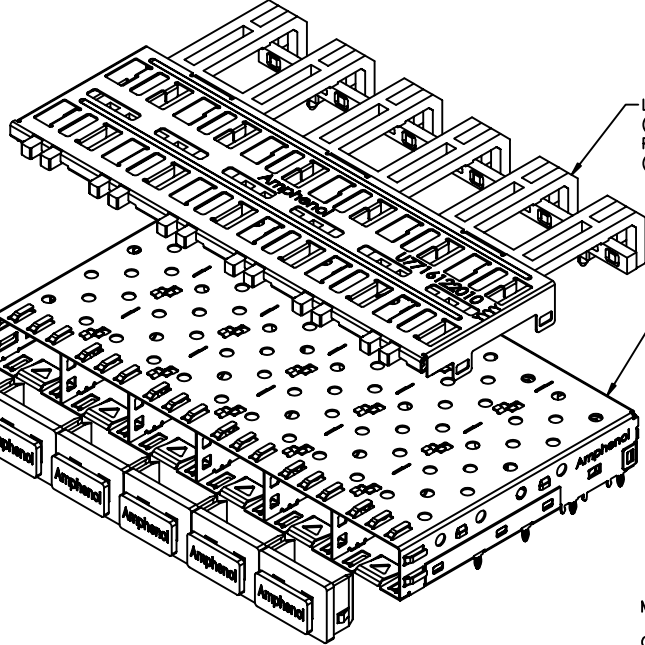
OPTIONAL DUST COVER
(SHIPPED LOOSE)
P/N U77-A1110-8000P

LIGHT PIPE KIT
(SHIPPED LOOSE)
P/N U77-1412-2010P
(IF ORDER SEPARATELY)

PRESS FIT CAGE
P/N U77-A413X-X001
(IF ORDER SEPARATELY)
(SEE PAGE 3 FOR CAGE
PLATING AND OTHER
OPTIONS)



U77-C411X-XX11



LIGHT PIPE KIT
(SHIPPED LOOSE)
P/N U77-1612-2010P
(IF ORDER SEPARATELY)

PRESS FIT CAGE
P/N U77-A613X-X001
(IF ORDER SEPARATELY)
(SEE PAGE 3 FOR CAGE
PLATING AND OTHER
OPTIONS)

U77-C611X-XX11

AMPHENOL PART NUMBER CONFIGURATION

U77 - C X 1 1 X - X X 1 X

PORTS
2 = 1X2 (2 PORTS)
4 = 1X4 (4 PORTS)
6 = 1X6 (6 PORTS)

REAR PINS OPTION
0 = STANDARD
4 = REAR PRESS FIT PINS

PACKAGING FOR CAGE
1 = TRAY PACKAGING
DUST COVER OPTION
0 = NO DUST COVER
D = WITH DUST COVER
PLATING
1 = TIN PLATING
2 = NICKEL PLATING

MATERIAL (RoHS COMPLIANCE):

CAGE:
COPPER ALLOY

PLATING OPTION 1:
100µ" [2.54 µm] MIN. TIN
PLATING OVER 50 µ" (1.27 µm)
MIN. NICKEL UNDER PLATING.

PLATING OPTION 2:
100µ" [3.81 µm] MIN. NICKEL
PLATING.

LIGHT PIPE:
CLEAR POLYCARBONATE.

BRACKET FOR LIGHT PIPE:
STAINLESS STEEL.

DUST COVER:
THERMOPLASTIC, COLOR BLACK.

PACKAGING:
TRAY PACKAGING FOR ALL

TEMPERATURE RANGE:
-40°C TO +85°C

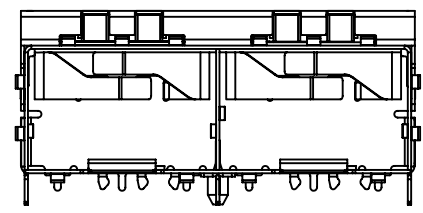
DRAWN	J.SI	DATE	2006/02/16
DESIGNED	J.SI	DATE	2006/02/16
CHECKED	X		X
DWG. APPRD.			
ENG. REL. NO.			
REF.	X		
DIMENSIONS ARE IN	CODE ID. NO.		
mm [INCHES]	03554		

Amphenol Canada Corp.		
TITLE SFP 1XN CAGE, PRESS FIT PINS WITH LIGHT PIPE (SHIP LOOSE) DUST COVER OPTION (SHIP LOOSE)		
DWG	DRAWING NO.	REV.
A	P-U77-CX11X-XX1X	G
SCALE	1:1	WT. _____ SURF. _____ SHEET 1 of 8

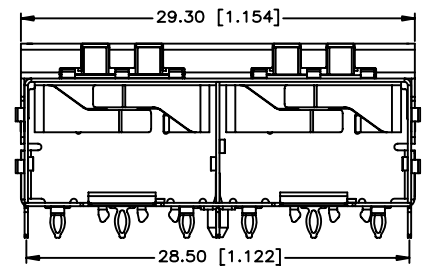
THIS DOCUMENT CONTAINS PROPRIETARY INFORMATION AND SUCH INFORMATION MAY NOT BE DISCLOSED TO OTHERS FOR ANY PURPOSE OR USED FOR MANUFACTURING PURPOSES WITHOUT WRITTEN PERMISSION FROM AMPHENOL CANADA CORP.

REVISIONS				
SYM	ZONE	ECN, ERN NO.	DATE	APPRD.
E		UPDATED	2006/07/17	
F		UPDATED	JAN07/08	
G		DUST COVER OPTION ADDED	JUL08/09	

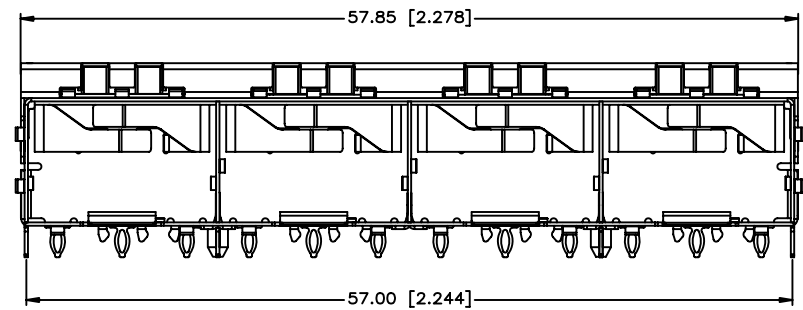
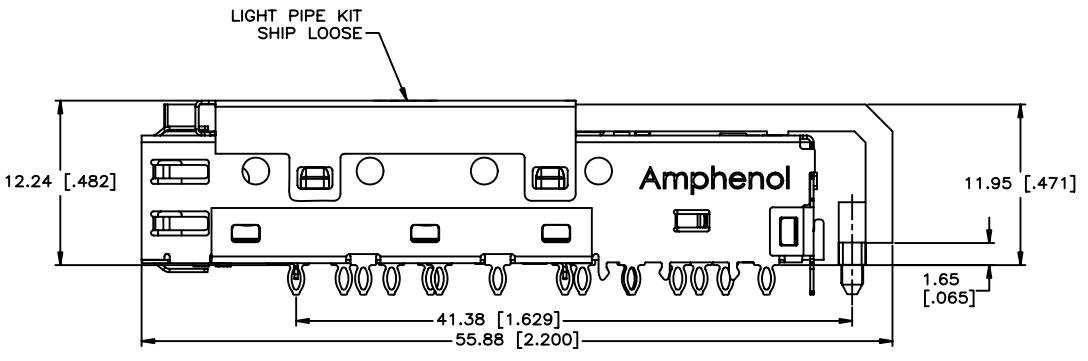
THIS IS A CAD DRAWING. DO NOT MANUALLY REVISE.



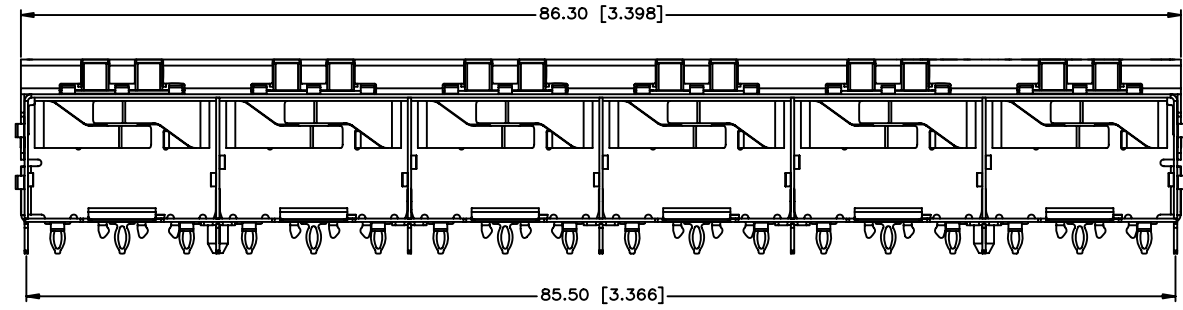
U77-C2110-X011



U77-C2114-X011



U77-C4114-X011



U77-C6114-X011

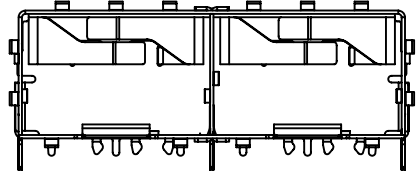
DRAWN	J.SI	DATE	2006/02/18
DESIGNED	J.SI	DATE	2006/02/18
CHECKED	X		X
DWG. APPRD.			
ENG. REL. NO.			
REF.	X		
DIMENSIONS ARE IN		CODE ID. NO.	03554
mm [INCHES]			

Amphenol Canada Corp.		
TITLE SFP 1XN CAGE, PRESS FIT PINS WITH LIGHT PIPE (SHIP LOOSE) DUST COVER OPTION (SHIP LOOSE)		
DWG	DRAWING NO.	REV.
A	P-U77-CX11X-XX1X	G
SCALE	1:1	WT. _____ SURF. _____ SHEET 2 OF 8

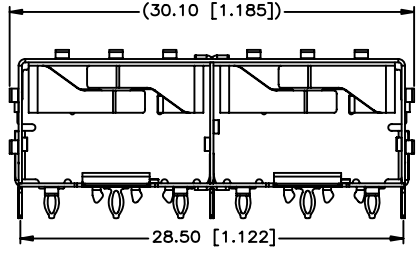
THIS DOCUMENT CONTAINS PROPRIETARY INFORMATION AND SUCH INFORMATION MAY NOT BE DISCLOSED TO OTHERS FOR ANY PURPOSE OR USED FOR MANUFACTURING PURPOSES WITHOUT WRITTEN PERMISSION FROM AMPHENOL CANADA CORP.

REVISIONS				
SYM	ZONE	ECN, ERN NO.	DATE	APPRD.
F		UPDATED (NEW PAGE)	JAN07/08	
G		DUST COVER OPTION ADDED	JUL08/09	

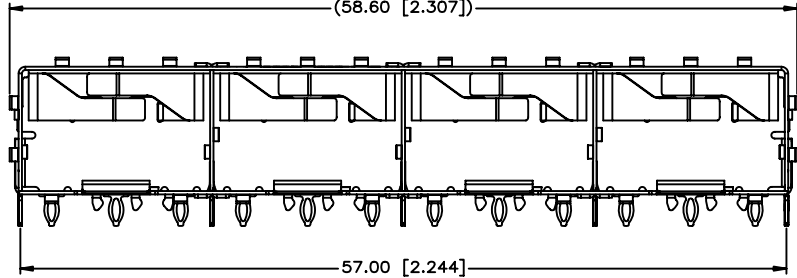
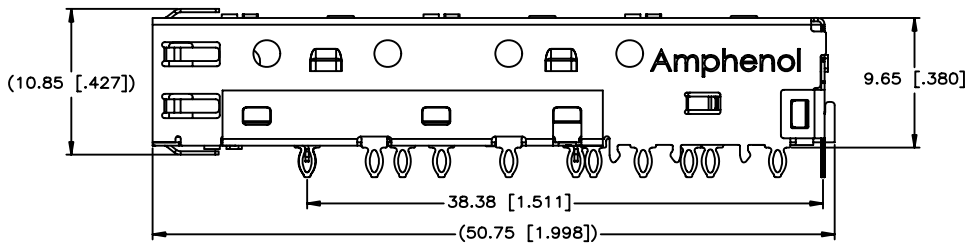
THIS IS A CAD DRAWING. DO NOT MANUALLY REVISE.



U77-A2130-X001



U77-A2134-X001



U77-A4134-X001

CAGE P/N CONFIGURATION (IF ORDER SEPARATELY)

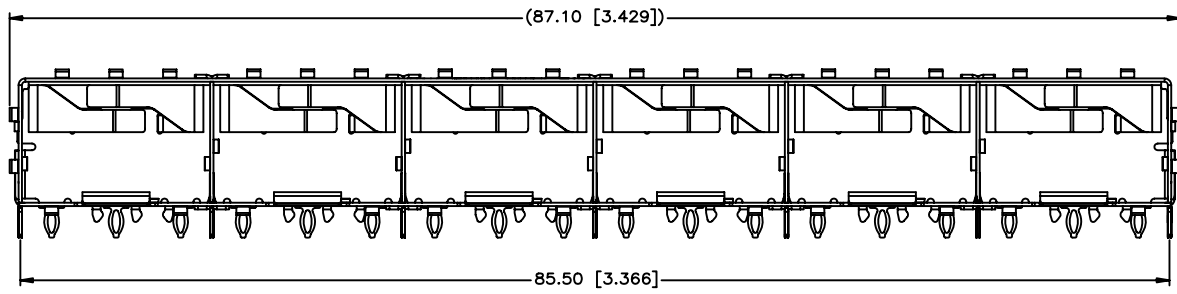
U77 - A X 1 3 X - X 0 0 X

PORTS
 2 = 1X2 (2 PORTS)
 4 = 1X4 (4 PORTS)
 6 = 1X6 (6 PORTS)

REAR PINS OPTION
 0 = STANDARD
 4 = REAR PRESS FIT PINS

PACKAGING FOR CAGE
 1 = TRAY PACKAGING

PLATING
 1 = TIN PLATING
 2 = NICKEL PLATING



U77-A6134-X001

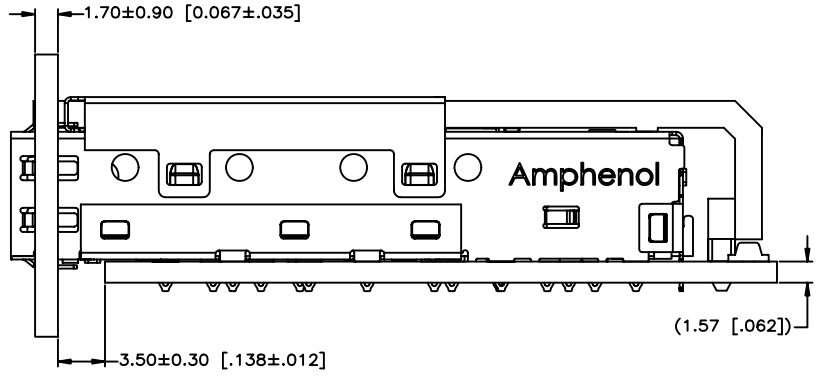
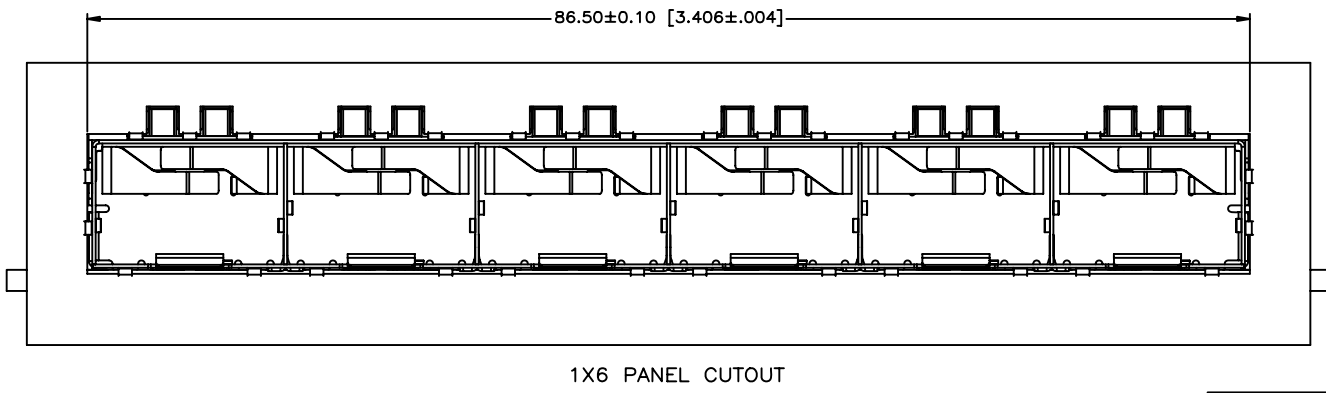
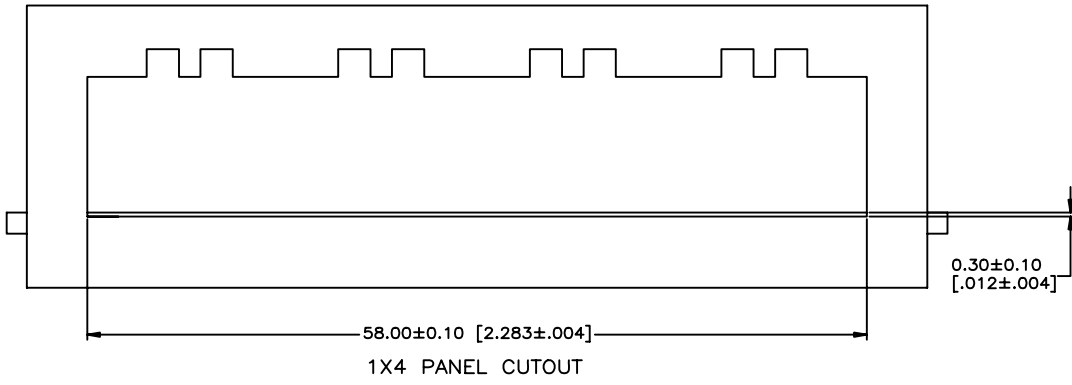
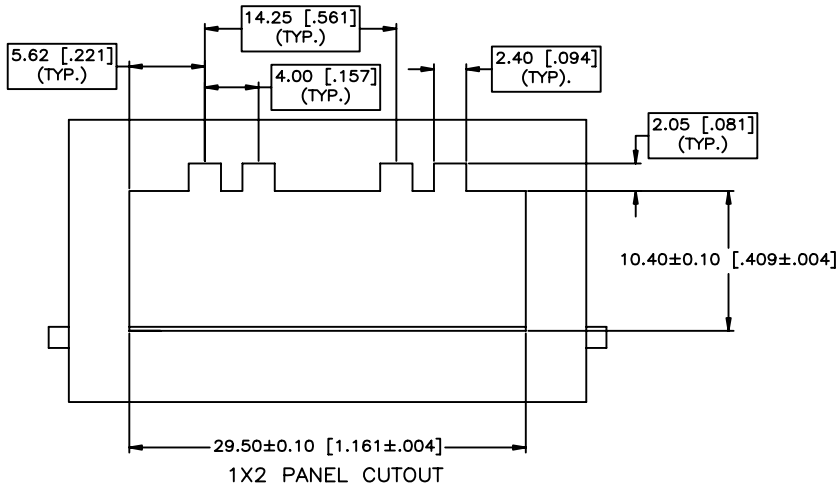
DRAWN	J.SI	DATE	2006/02/16
DESIGNED	J.SI	DATE	2006/02/16
CHECKED	X		X
DWG. APPRD.			
ENG. REL. NO.			
REF.	X		
DIMENSIONS ARE IN	CODE ID. NO.		
mm (INCHES)	03554		

Amphenol Canada Corp.		
TITLE SFP 1XN CAGE, PRESS FIT PINS WITH LIGHT PIPE (SHIP LOOSE) DUST COVER OPTION (SHIP LOOSE)		
DWG	DRAWING NO.	REV.
A	P-U77-CX11X-XX1X	G
SCALE	1:1	WT. _____ SURF. _____ SHEET 3 OF 8

THIS DOCUMENT CONTAINS PROPRIETARY INFORMATION AND SUCH INFORMATION MAY NOT BE DISCLOSED TO OTHERS FOR ANY PURPOSE OR USED FOR MANUFACTURING PURPOSES WITHOUT WRITTEN PERMISSION FROM AMPHENOL CANADA CORP.

REVISIONS				
SYM	ZONE	ECN, ERN NO.	DATE	APPRD.
E		UPDATED	2006/07/17	
F		UPDATED	JAN07/08	
G		DUST COVER OPTION ADDED	JUL08/09	

THIS IS A CAD DRAWING. DO NOT MANUALLY REVISE.



RECOMMENDED BEZEL DESIGN

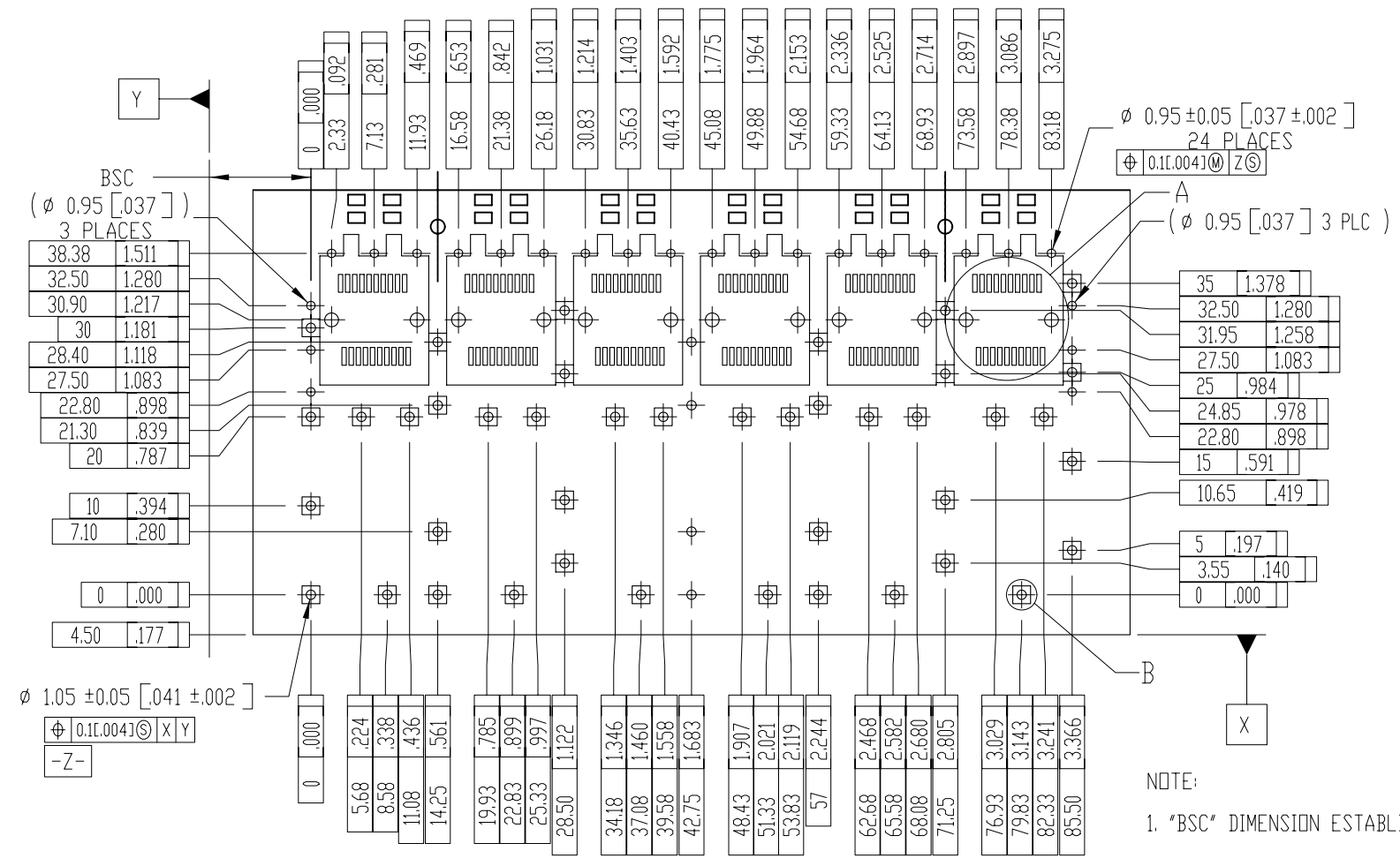
DRAWN	J.SI	DATE	2006/02/16
DESIGNED	J.SI	DATE	2006/02/16
CHECKED	X		X
DWG. APPRD.			
ENG. REL. NO.			
REF.	X		
DIMENSIONS ARE IN	mm	CODE ID. NO.	03554
	(INCHES)		

Amphenol Canada Corp.		
TITLE SFP 1XN CAGE, PRESS FIT PINS WITH LIGHT PIPE (SHIP LOOSE) DUST COVER OPTION (SHIP LOOSE)		
DWG	DRAWING NO.	REV.
A	P-U77-CX11X-XX1X	G
SCALE	1:1	WT. _____ SURF. _____ SHEET 4 of 8

THIS DOCUMENT CONTAINS PROPRIETARY INFORMATION AND SUCH INFORMATION MAY NOT BE DISCLOSED TO OTHERS FOR ANY PURPOSE OR USED FOR MANUFACTURING PURPOSES WITHOUT WRITTEN PERMISSION FROM AMPHENOL CANADA CORP.

REVISIONS			
SYM	ZONE	ECN, ERN NO.	DATE
E		UPDATED	2006/07/17
F		UPDATED	JAN07/08
G		DUST COVER OPTION ADDED	JUL08/09

THIS IS A CAD DRAWING. DO NOT MANUALLY REVISE.



RECOMMENDED 1X6 SFP HOST BOARD LAYOUT

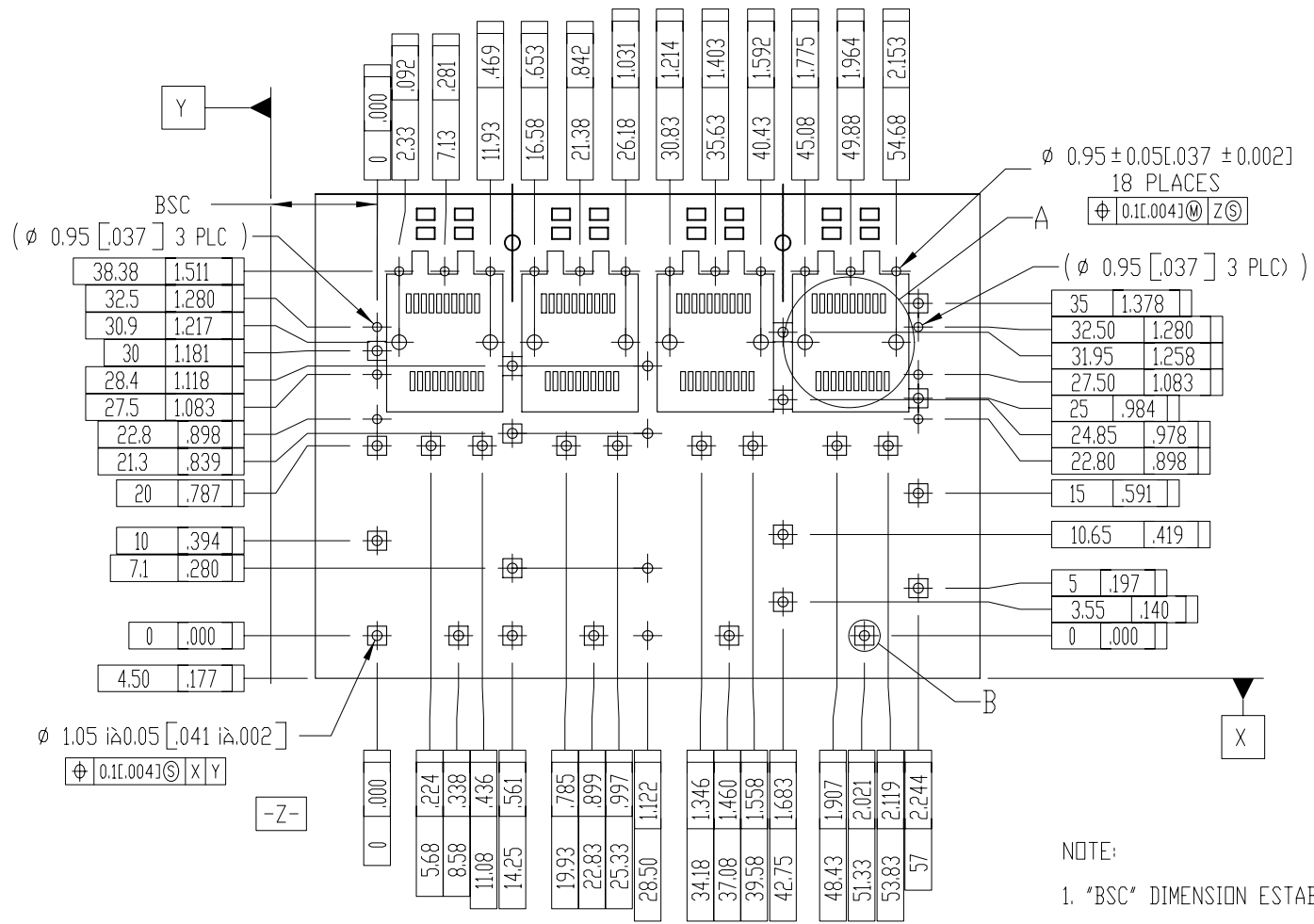
NOTE:
1. "BSC" DIMENSION ESTABLISHED BY CUSTOMER

THIS DOCUMENT CONTAINS PROPRIETARY INFORMATION AND SUCH INFORMATION MAY NOT BE DISCLOSED TO OTHERS FOR ANY PURPOSE OR USED FOR MANUFACTURING PURPOSES WITHOUT WRITTEN PERMISSION FROM AMPHENOL CANADA CORP.

DRAWN	J.SI	DATE	2006/02/16	Amphenol Canada Corp. TITLE SFP 1XN CAGE, PRESS FIT PINS WITH LIGHT PIPE (SHIP LOOSE) DUST COVER OPTION (SHIP LOOSE)
DESIGNED	J.SI	DATE	2006/02/16	
CHECKED	X		X	
DWG. APPRD.				DWG. A DRAWING NO. P-U77-CX11X-XX1X REV. G
ENG. REL. NO.				
REF.	X			DIMENSIONS ARE IN CODE ID. NO. mm (INCHES) 03554
		SCALE	NTS	WT. _____
		SURF.	_____	SHEET 5 OF 8

REVISIONS				
SYM	ZONE	ECN, ERN NO.	DATE	APPRD.
E		UPDATED	2006/07/17	
F		UPDATED	JAN07/08	
G		DUST COVER OPTION ADDED	JUL08/09	

THIS IS A CAD DRAWING. DO NOT MANUALLY REVISE.



RECOMMENDED 1X4 SFP HOST BOARD LAYOUT

NOTE:
1. "BSC" DIMENSION ESTABLISHED BY CUSTOMER

THIS DOCUMENT CONTAINS PROPRIETARY INFORMATION AND SUCH INFORMATION MAY NOT BE DISCLOSED TO OTHERS FOR ANY PURPOSE OR USED FOR MANUFACTURING PURPOSES WITHOUT WRITTEN PERMISSION FROM AMPHENOL CANADA CORP.

DRAWN	J.SI	DATE	2006/02/16
DESIGNED	J.SI	DATE	2006/02/16
CHECKED	X		X
DWG. APPRD.			
ENG. REL. NO.			
REF.	X		
DIMENSIONS ARE IN	CODE ID. NO.		
mm (INCHES)	03554		

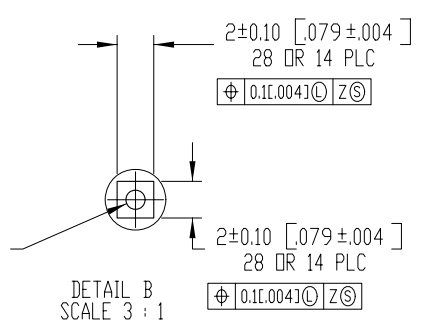
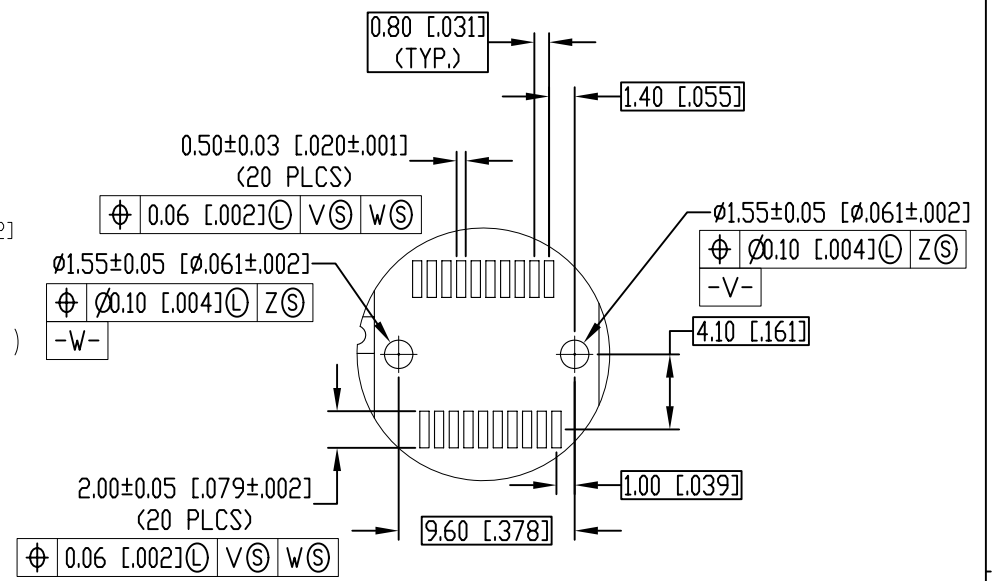
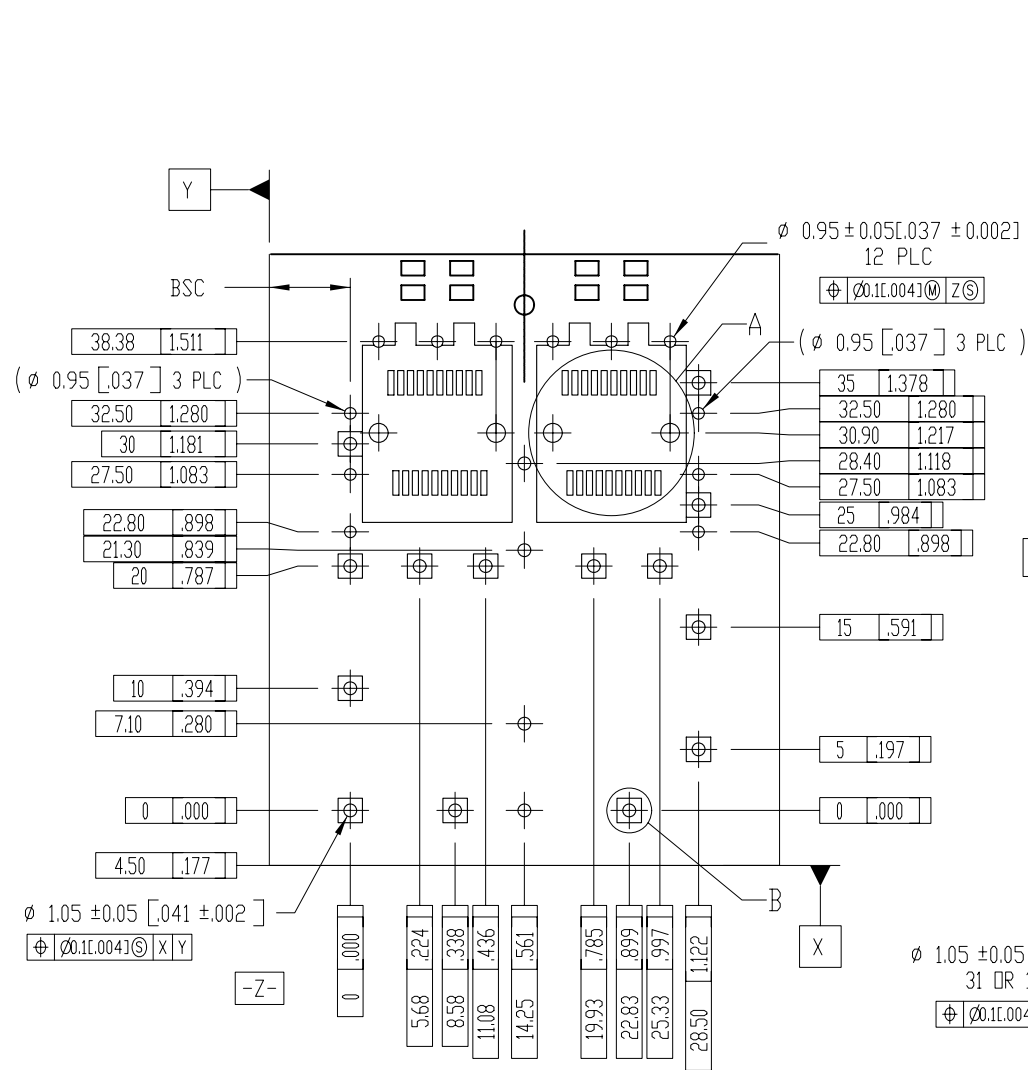
Amphenol Canada Corp.			
TITLE SFP 1XN CAGE, PRESS FIT PINS WITH LIGHT PIPE (SHIP LOOSE) DUST COVER OPTION (SHIP LOOSE)			
DWG	DRAWING NO.	REV.	
A	P-U77-CX11X-XX1X	G	
SCALE	NTS	WT.	SURF.
			SHEET 6 OF 8

NOTE:

1. "BSC" DIMENSION ESTABLISHED BY CUSTOMER

REVISIONS			
SYM	ZONE	ECN, ERN NO.	DATE
E		UPDATED	2006/07/17
F		UPDATED	JAN07/08
G		DUST COVER OPTION ADDED	JUL08/09

THIS IS A CAD DRAWING. DO NOT MANUALLY REVISE.



RECOMMENDED 1X2 SFP HOST BOARD LAYOUT

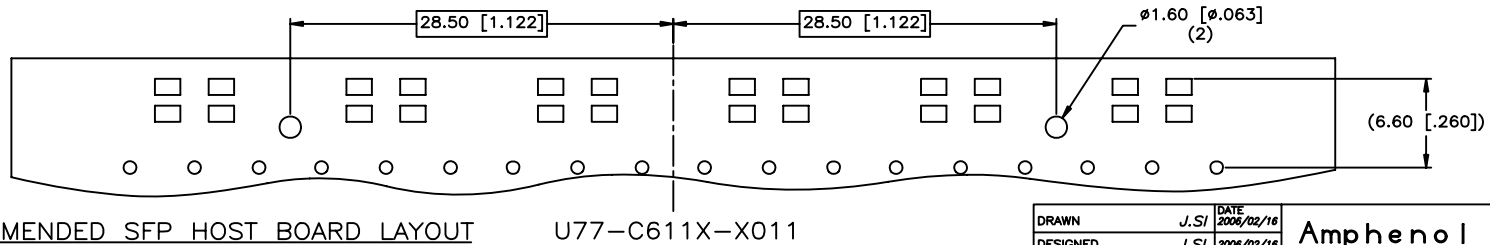
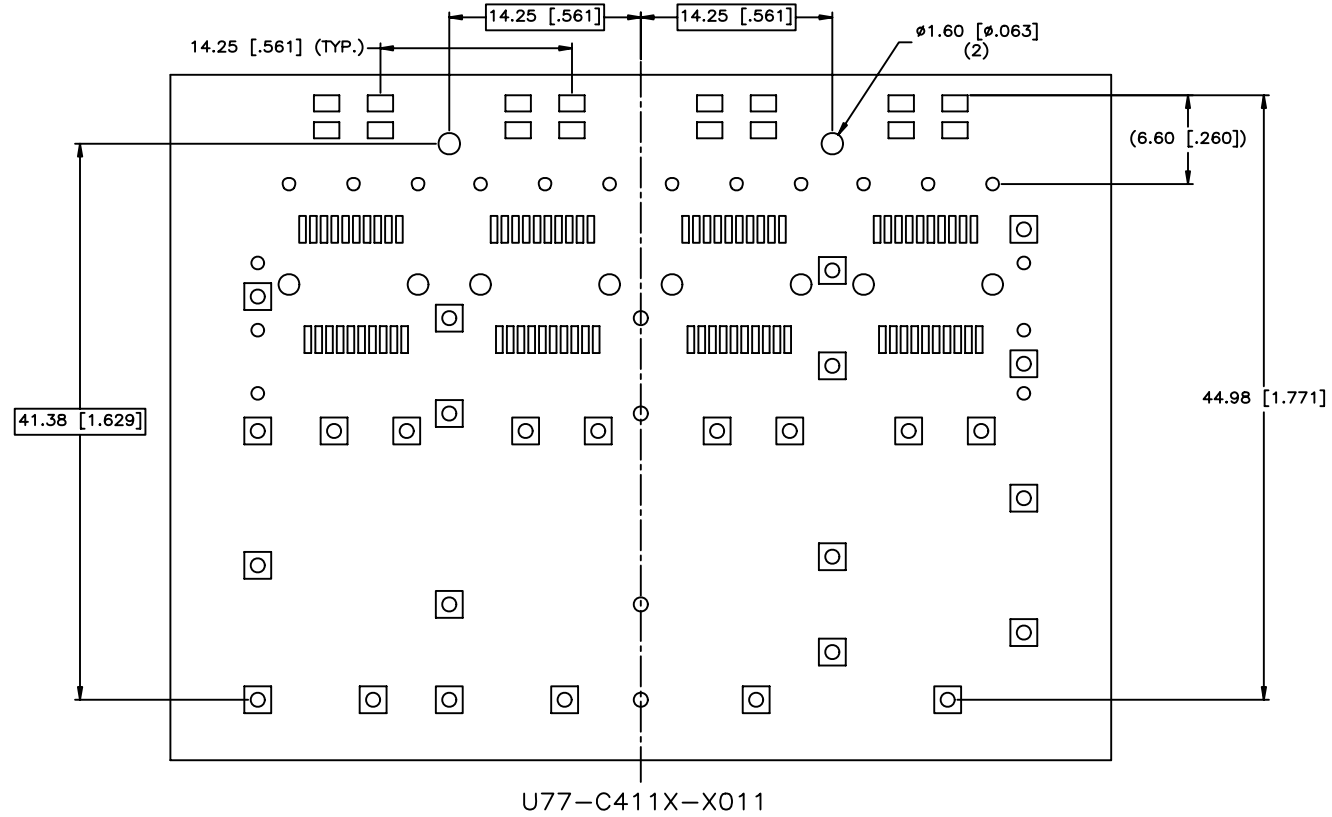
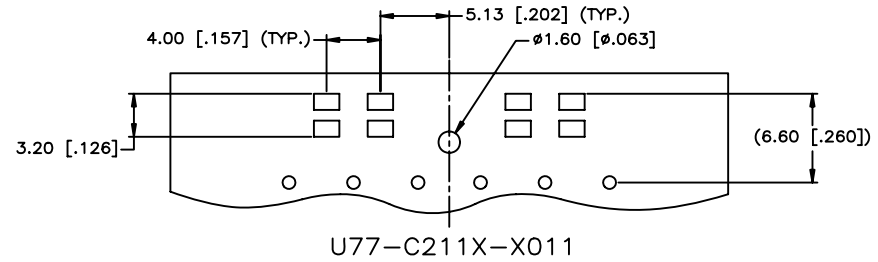
DRAWN	J.SI	DATE	2006/02/16
DESIGNED	J.SI	DATE	2006/02/16
CHECKED	X		X
DWG. APPRD.			
ENG. REL. NO.			
REF.	X		
DIMENSIONS ARE IN	mm [INCHES]	CODE ID. NO.	03554

Amphenol Canada Corp.		
TITLE SFP 1XN CAGE, PRESS FIT PINS WITH LIGHT PIPE (SHIP LOOSE) DUST COVER OPTION (SHIP LOOSE)		
DWG. A	DRAWING NO. P-U77-CX11X-XX1X	REV. G
SCALE	NTS	WT. _____ SURF. _____ SHEET 7 OF 8

THIS DOCUMENT CONTAINS PROPRIETARY INFORMATION AND SUCH INFORMATION MAY NOT BE DISCLOSED TO OTHERS FOR ANY PURPOSE OR USED FOR MANUFACTURING PURPOSES WITHOUT WRITTEN PERMISSION FROM AMPHENOL CANADA CORP.

REVISIONS				
SYM	ZONE	ECN, ERN NO.	DATE	APPRD.
E		UPDATED	2006/07/17	
F		UPDATED	JAN07/08	
G		DUST COVER OPTION ADDED	JUL08/09	

THIS IS A CAD DRAWING. DO NOT MANUALLY REVISE.



RECOMMENDED SFP HOST BOARD LAYOUT
(SEE PAGE 5, 6 AND 7 FOR OTHER DIMS)
(ON COMPONENTS SIDE MOUNTING)

THIS DOCUMENT CONTAINS PROPRIETARY INFORMATION AND SUCH INFORMATION
MAY NOT BE DISCLOSED TO OTHERS FOR ANY PURPOSE OR USED FOR MANUFACTURING
PURPOSES WITHOUT WRITTEN PERMISSION FROM AMPHENOL CANADA CORP.

DRAWN	J.SI	DATE	2006/02/16
DESIGNED	J.SI	DATE	2006/02/16
CHECKED	X		X
DWG. APPRD.			
ENG. REL. NO.			
REF.	X		
DIMENSIONS ARE IN	CODE ID. NO.		
mm [INCHES]	03554		

Amphenol Canada Corp.		
TITLE SFP 1XN CAGE, PRESS FIT PINS WITH LIGHT PIPE (SHIP LOOSE) DUST COVER OPTION (SHIP LOOSE)		
DWG	DRAWING NO.	REV.
A	P-U77-CX11X-XX1X	G
SCALE	1:1	WT. _____ SURF. _____ SHEET 8 OF 8