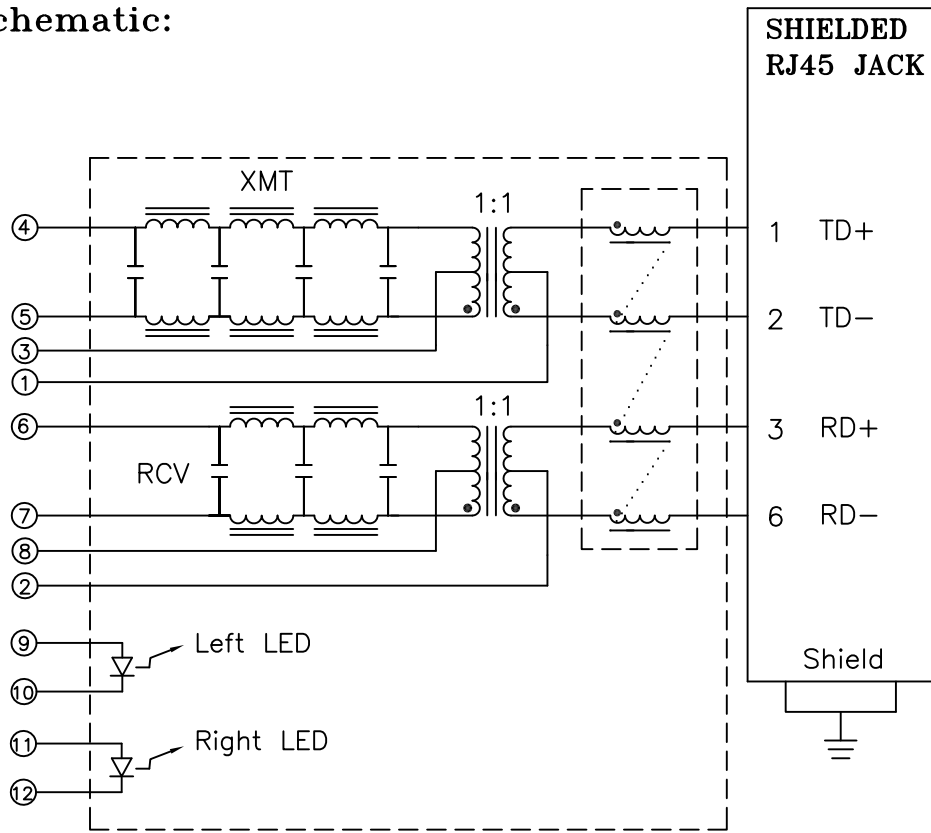


Schematic:



Electrical Specifications: @25°C

- ISOLATION: 1500 VRMS (Input to Output)
- ISOLATION: 500 VRMS (XMT to RCV)
- INSERTION LOSS (1-10MHz): -1.0dB Maximum
- ATTENUATION @30MHz:
 - TRANSMIT -30dB Minimum
 - RECEIVER -18dB Minimum
- RETURN LOSS (1-10MHz): -15dB Minimum
- CUTOFF FREQUENCY: 17MHz TYPICAL
- CROSSTALK (1-10MHz): -30dB Minimum
- I/O IMPEDANCE: 100 OHMS

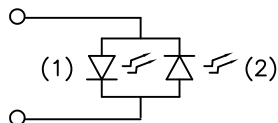
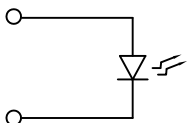
Complete the Combo P/N as follows:

Replace 'x' & 'u' in the part number with one of the LED color letters:

- Y=Yellow
- G=Green
- A=Amber
- R=Red
- C=Green(1)/Amber(2) Bicolor
- D=Amber(1)/Green(2) Bicolor
- M=Green(1)/Yellow(2) Bicolor
- N=Yellow(1)/Green(2) Bicolor
- P=Red(1)/Green(2) Bicolor
- Q=Green(1)/Red(2) Bicolor

Single Color LED:

Bi-Color LED:



DOC. REV: A/4

Notes:

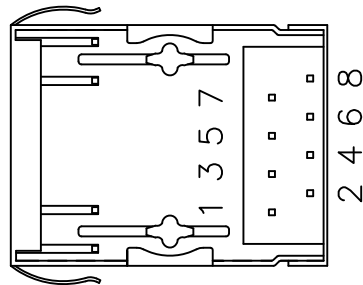
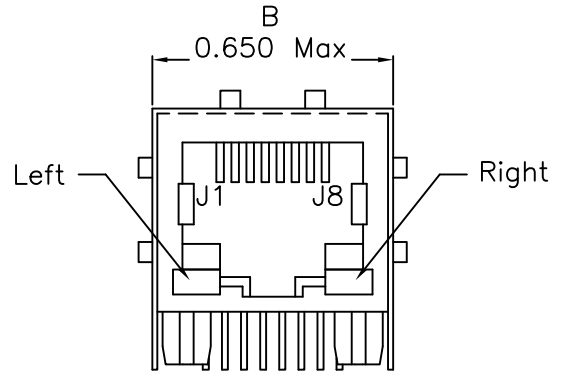
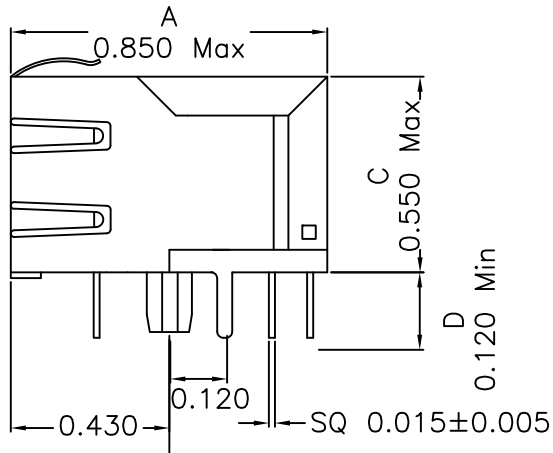
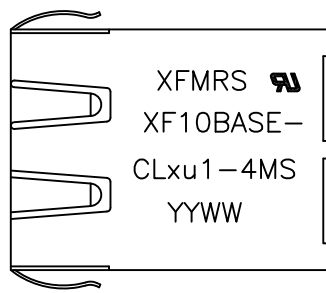
1. Solderability: Leads shall meet MIL-STD-202, Method 208D for solderability.
2. Flammability: UL94V-0
3. ASTM oxygen index: > 28%
4. Temperature rating: 155°C. UL file E151556
5. Operating Temperature Range: -40°C to +85°C

XFMRs Inc	Title: 10 BASE-T FILTER COMBO		
	UNLESS OTHERWISE SPECIFIED	P/N: XF10BASE-CLxu1-4MS	REV. A
TOLERANCES: .xxx ±0.010	DWN.	Juan Mao	Jul-08-04
Dimensions in INCH	CHK.	YK Liao	Jul-08-04
SHEET 1 OF 2	APP.	MS	Jul-08-04

PROPRIETARY:

Document is the property of XFMRs Group & is not allowed to be duplicated without authorization.

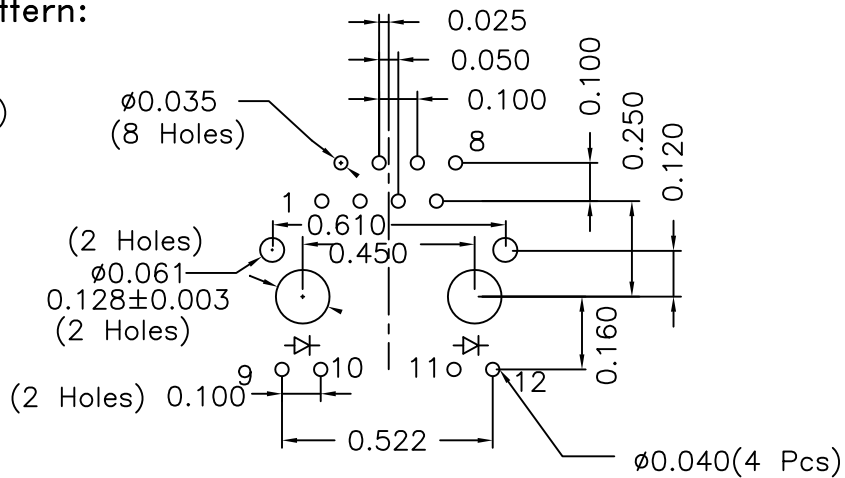
Mechanical Dimensions:



(BOTTOM VIEW)

Mounting Pattern:

(COMP SIDE)



XFMRS Inc. UNLESS OTHERWISE SPECIFIED TOLERANCES: .xxx ±0.010 Dimensions in Inch	Title: Mechanical Dimensions For CLxu1-4MS Series		
	P/N: XF10BASE-CLxu1-4MS	REV. A	
DOC. REV: A/4 PROPRIETARY: Document is the property of XFMRS Group & is not allowed to be duplicated without authorization.	DWN.	Juan Mao	Jul-08-04
	CHK.	YK Liao	Jul-08-04
	APP.	MS	Jul-08-04
SHEET 2 OF 2			