

**Low-Power Off-line PSR LED Controller****AP3766B****General Description**

The AP3766B is a high performance AC/DC power supply controller for LED lighting application. The device uses Pulse Frequency Modulation (PFM) method to build discontinuous conduction mode (DCM) flyback power supplies.

The AP3766B provides accurate constant voltage, constant current (CV/CC) regulation without requiring an opto-coupler and the secondary control circuitry. It also eliminates the need of loop compensation circuitry while maintaining good stability. The AP3766B can achieve excellent regulation and high average efficiency, yet meets no-load consumption less than 30mW.

It also has an adjustable built-in line compensation function to achieve tight CC.

The AP3766B is available in SOT-23-6 package.

**Features**

- Primary Side Control for Tight Constant Current and Constant Voltage
- 30mW No-load Input Power
- Bipolar Junction Transistor (BJT) Driving
- Open Circuit Protection
- Over Voltage Protection
- Short Circuit Protection
- SOT-23-6 Package

**Applications**

- LED Driver

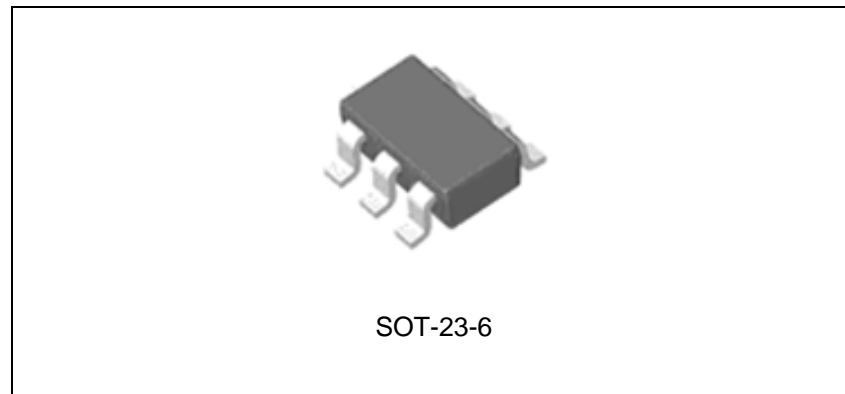


Figure 1. Package Type of AP3766B

## Pin Configuration

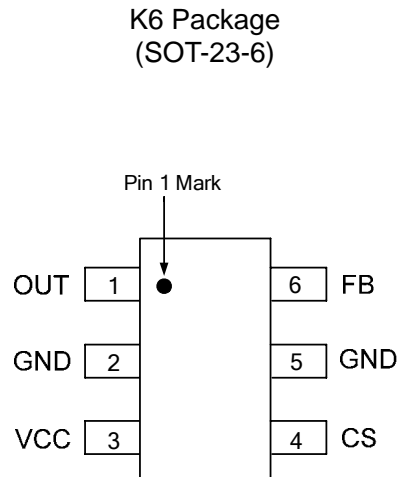


Figure 2. Pin Configuration of AP3766B (Top View)

## Pin Description

| Pin Number | Pin Name | Function  |
|------------|----------|---|
| 1          | OUT      | The OUT pin is used to turn on and turn off the power switch. When turning on the power switch, the OUT pin will output 30mA source current to support the base current of the power BJT. When turning off the power switch, the resistance between the OUT and GND will become to 5Ω |
| 2, 5       | GND      | The GND pin is the ground of the IC. When the power BJT is turned off, a fast reverse sinking current to the gate of BJT will flow out from this pin. Attention should be paid to in the PCB layout   |
| 3          | VCC      | The VCC pin supplies the power for the IC. In order to get the correct operation of the IC, a capacitor with low ESR should be placed as close as possible to the VCC pin   |
| 4          | CS       | The CS is the current sense pin of the IC. The IC will turn off the power BJT according to the voltage on the CS pin. When the power BJT is on, a current is output from the CS pin which is proportional to the line voltage to realize the function of line compensation            |
| 6          | FB       | The CV and CC regulation are realized based on the voltage sampling of this pin   |

**Functional Block Diagram**

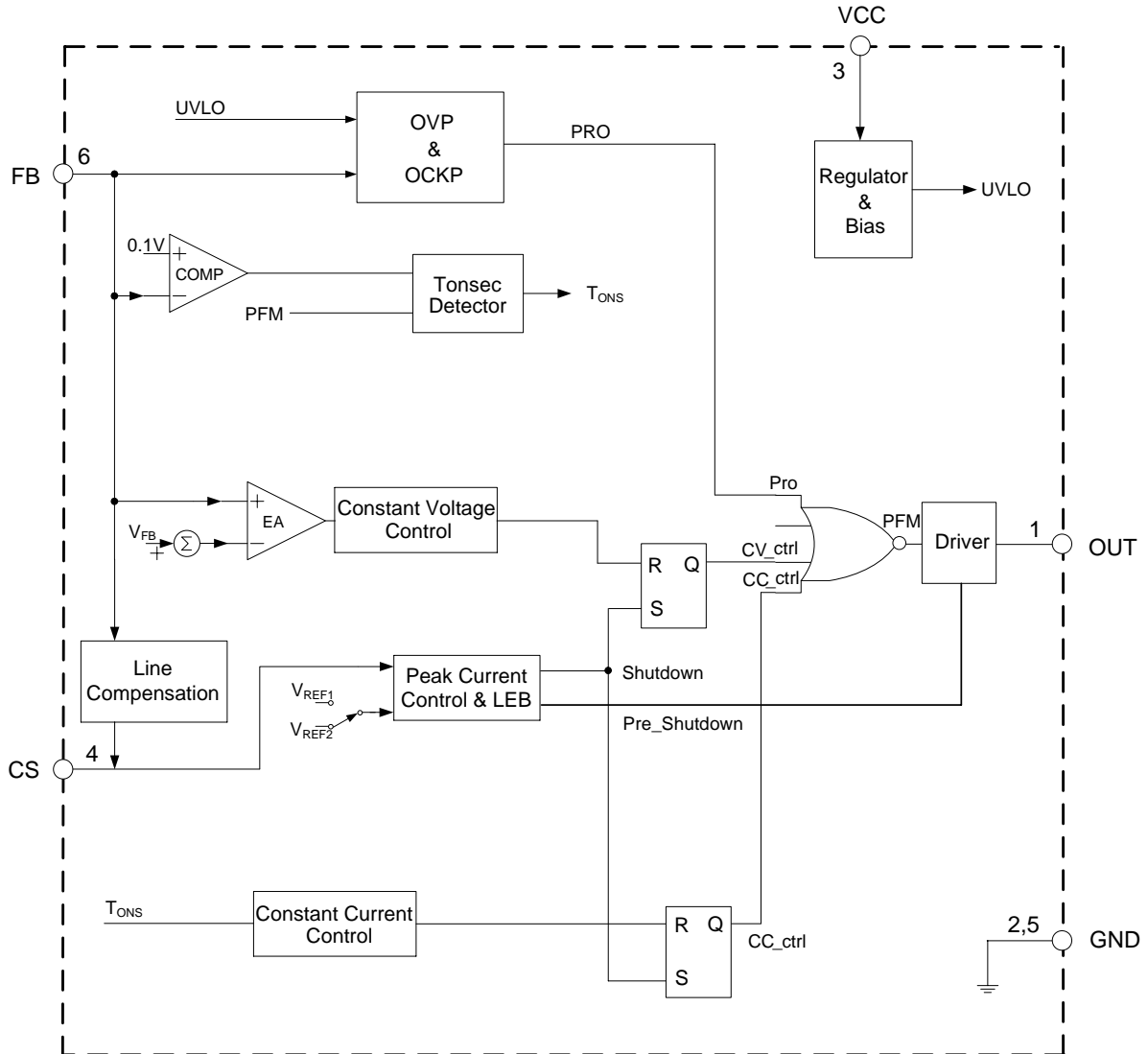
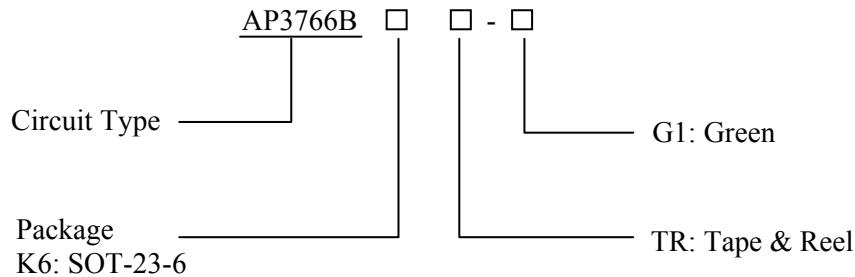


Figure 3. Functional Block Diagram of AP3766B

**Low-Power Off-line PSR LED Controller****AP3766B****Ordering Information**

| Package  | Temperature Range | Part Number    | Marking ID | Packing Type |
|----------|-------------------|----------------|------------|--------------|
| SOT-23-6 | -40 to 85°C       | AP3766BK6TR-G1 | GGO        | Tape & Reel  |

BCD Semiconductor's Pb-free products, as designated with "G1" suffix in the part number, are RoHS compliant and green.

**Absolute Maximum Ratings (Note 1)**

| Parameter                                | Symbol        | Value              | Unit |
|--|---------------|--------------------|------|
| Supply Voltage                           | $V_{CC}$      | -0.3 to 30         | V    |
| CS to GND Voltage                        |               | -0.3 to 7          | V    |
| FB Input Voltage                         | $V_{FB}$      | -40 to 10          | V    |
| Source Current at OUT Pin                | $I_{SOURCE}$  | Internally Limited | A    |
| Operating Junction Temperature           | $T_J$         | 150                | °C   |
| Storage Temperature                      | $T_{STG}$     | -65 to 150         | °C   |
| Lead Temperature (Soldering, 10 sec)     | $T_{LEAD}$    | 300                | °C   |
| Thermal Resistance (Junction to Ambient) | $\theta_{JA}$ | 200                | °C/W |
| ESD (Human Body Model)                   |               | 2000               | V    |

Note 1: Stresses greater than those listed under "Absolute Maximum Ratings" may cause permanent damage to the device. These are stress ratings only, and functional operation of the device at these or any other conditions beyond those indicated under "Recommended Operating Conditions" is not implied. Exposure to "Absolute Maximum Ratings" for extended periods may affect device reliability.



**Low-Power Off-line PSR LED Controller**

**AP3766B**

**Electrical Characteristics**

V<sub>CC</sub>=15V, T<sub>A</sub>=25°C, unless otherwise specified.

| Parameter  | Symbol                                 | Conditions  | Min               | Typ   | Max  | Unit |     |    |
|--|--|---|-------------------|-------|------|------|-----|----|
| <b>UVLO SECTION</b>                                |  |   |                   |       |      |      |     |    |
| Startup Threshold                                  | V <sub>TH</sub> (ST)                   |   | 13                | 15.5  | 18   | V    |     |    |
| Minimal Operating Voltage                          | V <sub>OPR</sub> (MIN)                 |   | 3                 | 3.5   | 4.5  | V    |     |    |
| <b>STANDBY CURRENT SECTION</b>                     |  |   |                   |       |      |      |     |    |
| Startup Current                                    | I <sub>ST</sub>                        | V <sub>CC</sub> =V <sub>TH</sub> (ST)-1V,<br>Before startup | 0                 | 0.2   | 0.6  | μA   |     |    |
| Operating Current                                  | I <sub>CC</sub> (OPR)                  | Static current  | 250               | 500   | 600  |      |     |    |
| <b>DRIVE OUTPUT SECTION</b>                        |  |   |                   |       |      |      |     |    |
| Output Current                                     | Sink                                   | I <sub>SINK</sub>   | Apply 1V @OUT pin |       | 200  | 300  | 500 | mA |
|  | Source                                 | I <sub>SOURCE</sub>   |                   |       | 24   | 30   | 45  | mA |
| <b>CURRENT SENSE SECTION</b>                       |  |   |                   |       |      |      |     |    |
| Current Sense Threshold Voltage                    | V <sub>CS</sub>                        |   | 440               | 500   | 550  | mV   |     |    |
| Equivalent Current Sense Voltage Accuracy (Note 2) | $\frac{\Delta V_{CS, eq}}{V_{CS, eq}}$ |   | -3                |       | 3    | %    |     |    |
| Leading Edge Blanking                              | t <sub>LEB</sub>                       | The minimum power switch turn on time                       | 300               | 475   | 720  | ns   |     |    |
| <b>FEEDBACK INPUT SECTION</b>                      |  |   |                   |       |      |      |     |    |
| Input Resistance of FB Pin                         | R <sub>FB</sub>                        | V <sub>FB</sub> =4V   | 1                 | 1.6   | 2    | MΩ   |     |    |
| Feedback Threshold                                 | V <sub>FB</sub>                        |   | 3.70              | 3.974 | 4.21 | V    |     |    |
| <b>LINE COMPENSATION SECTION</b>                   |  |   |                   |       |      |      |     |    |
| Line Compensation Transconductance (Note 3)        | g <sub>m</sub>                         |   | 1.14              | 1.43  | 1.72 | μS   |     |    |
| <b>PROTECTION SECTION</b>                          |  |   |                   |       |      |      |     |    |
| Over Voltage Protection                            | V <sub>FB</sub> (OVP)                  |   | 6.5               | 7.5   | 8.5  | V    |     |    |
| Maximum On Time of Primary Side                    | tonp (MAX)                             |   | 11                | 18    | 50   | μs   |     |    |

Note 2: The output current is given by:  $I_{OUT} = \frac{V_{CS, eq}}{R_{CS}} \times \frac{N_p}{N_s}$

Note 3: Line compensation voltage on CS pin:  $\Delta V_{CS} = V_{IN\_DC} \cdot \frac{N_{AUX}}{N_{PRI}} \cdot \frac{R_6}{R_6 + R_7} \cdot g_m \cdot R_{LINE}$



Typical Performance Characteristics

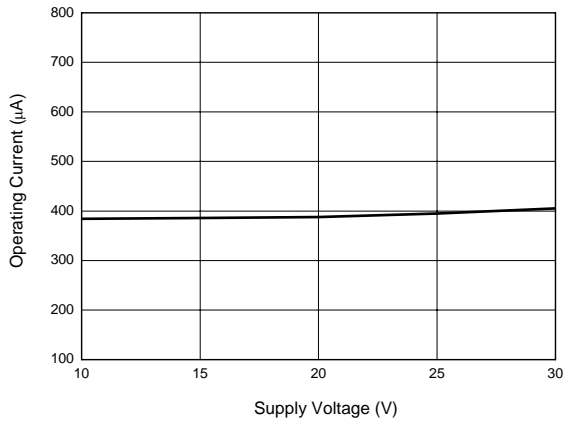


Figure 4. Operating Current vs. Supply Voltage

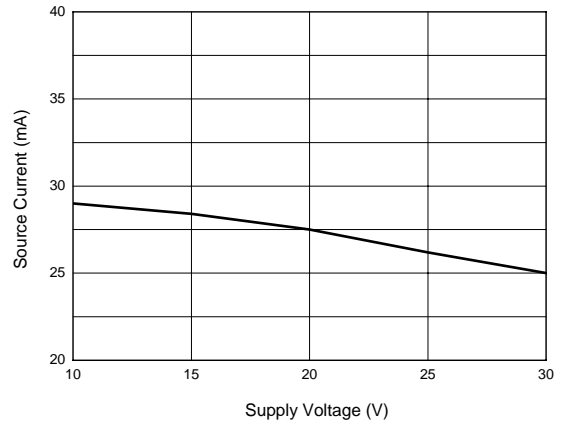


Figure 5. Source Current vs. Supply Voltage

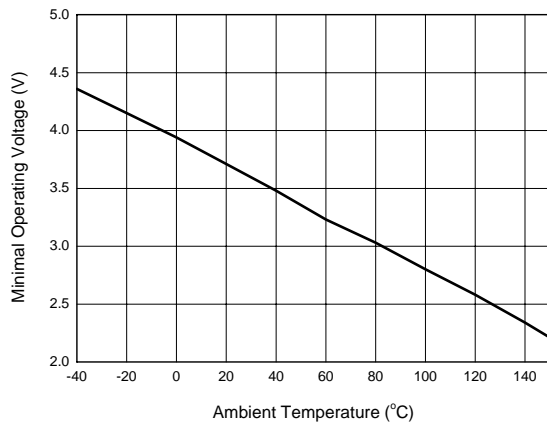


Figure 6. Minimal Operating Voltage vs. Ambient Temperature

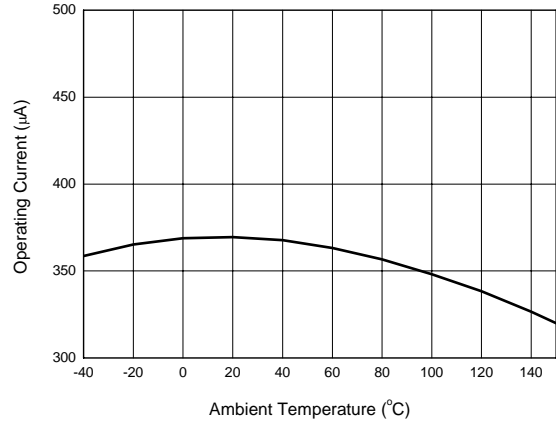


Figure 7. Operating Current vs. Ambient Temperature

**Typical Performance Characteristics (Continued)**

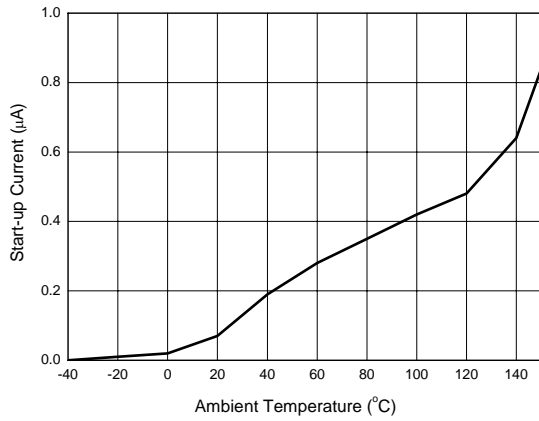


Figure 8. Start-up Current vs. Ambient Temperature

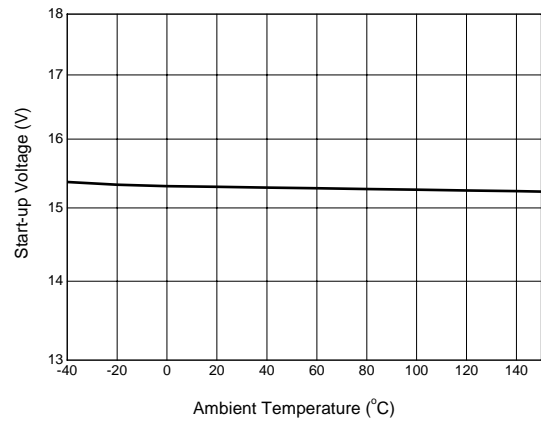


Figure 9. Start-up Voltage vs. Ambient Temperature

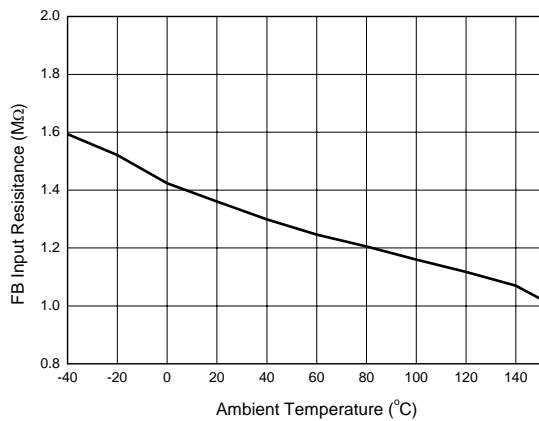


Figure 10. FB Input Resistance vs. Ambient Temperature

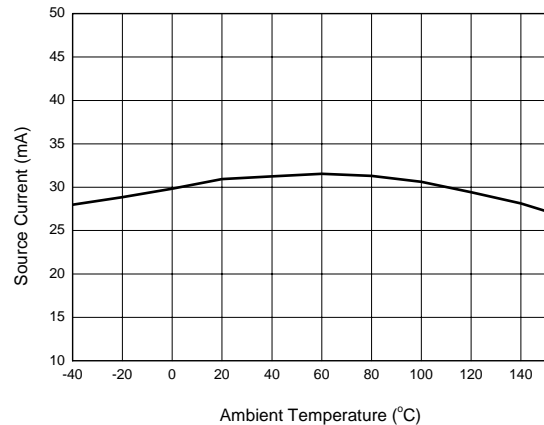


Figure 11. Source Current vs. Ambient Temperature

**Typical Performance Characteristics (Continued)**

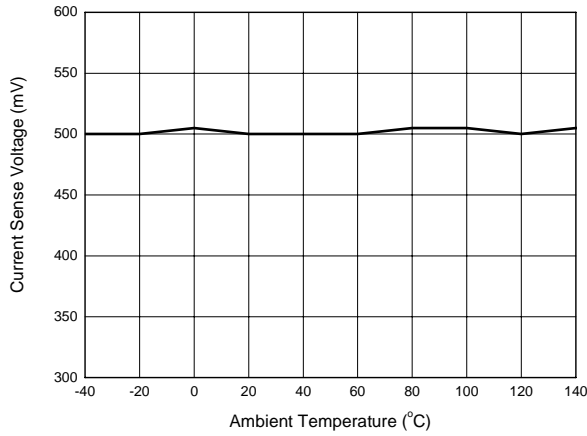


Figure 12. Current Sense Voltage vs. Ambient Temperature

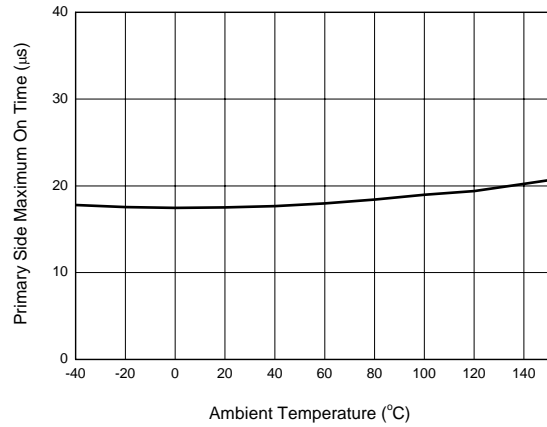


Figure 13. Primary Side Maximum On Time vs. Ambient Temperature

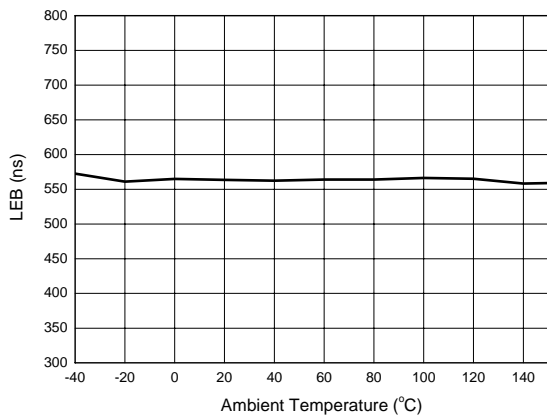


Figure 14. LEB vs. Ambient Temperature



**Typical Application**

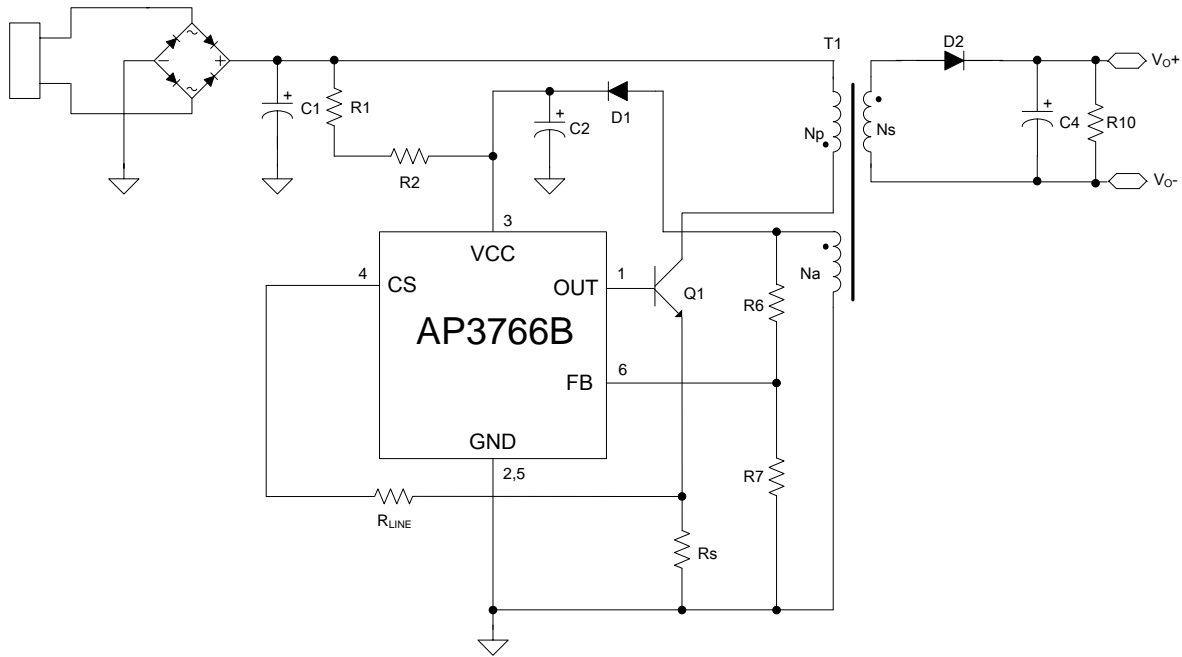
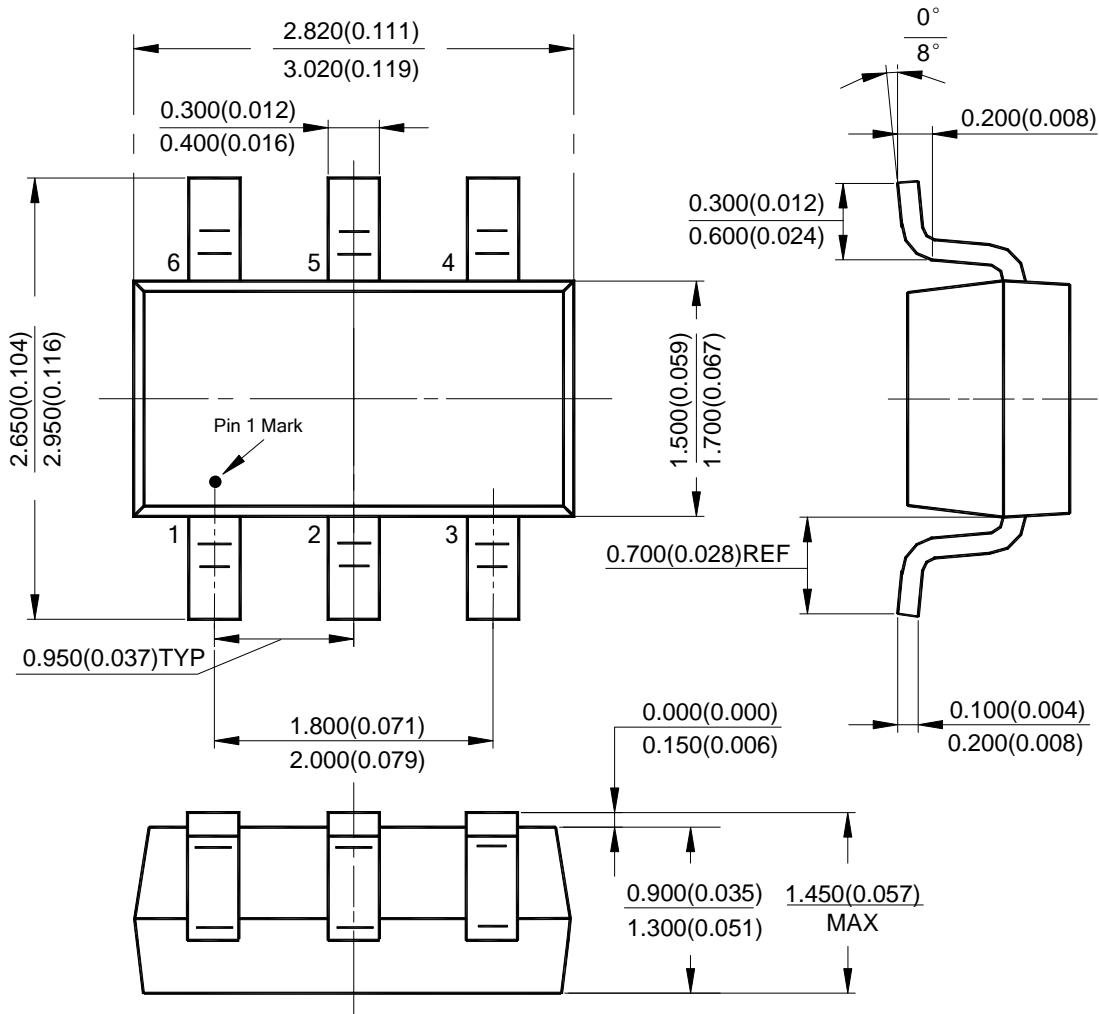


Figure 15. Typical LED Driver Application

**Mechanical Dimensions**

**SOT-23-6**

**Unit: mm(inch)**





## **BCD Semiconductor Manufacturing Limited**

<http://www.bcdsemi.com>

### **IMPORTANT NOTICE**

BCD Semiconductor Manufacturing Limited reserves the right to make changes without further notice to any products or specifications herein. BCD Semiconductor Manufacturing Limited does not assume any responsibility for use of any its products for any particular purpose, nor does BCD Semiconductor Manufacturing Limited assume any liability arising out of the application or use of any its products or circuits. BCD Semiconductor Manufacturing Limited does not convey any license under its patent rights or other rights nor the rights of others.

---

#### **MAIN SITE**

##### **- Headquarters**

##### **BCD Semiconductor Manufacturing Limited**

No. 1600, Zi Xing Road, Shanghai Zizhu Science-based Industrial Park, 200241, China  
Tel: +86-21-24162266, Fax: +86-21-24162277

##### **- Wafer Fab**

##### **Shanghai SIM-BCD Semiconductor Manufacturing Co., Ltd.**

800 Yi Shan Road, Shanghai 200233, China  
Tel: +86-21-6485 1491, Fax: +86-21-5450 0008

#### **REGIONAL SALES OFFICE**

##### **Shenzhen Office**

##### **Shanghai SIM-BCD Semiconductor Manufacturing Co., Ltd., Shenzhen Office**

Unit A Room 1203, Skyworth Bldg., Gaoxin Ave. 1.S., Nanshan District, Shenzhen, China  
Tel: +86-755-8826 7951  
Fax: +86-755-8826 7865

##### **Taiwan Office**

##### **BCD Semiconductor (Taiwan) Company Limited**

4F, 298-1, Rui Guang Road, Nei-Hu District, Taipei, Taiwan  
Tel: +886-2-2656 2808  
Fax: +886-2-2656 2806

##### **USA Office**

##### **BCD Semiconductor Corp.**

30920 Huntwood Ave. Hayward, CA 94544, USA  
Tel : +1-510-324-2988  
Fax: +1-510-324-2788