



# Dual 10-Bit, 65Msps, +3V, Low-Power ADC with Internal Reference and Parallel Outputs

## General Description

The MAX1182 is a +3V, dual 10-bit analog-to-digital converter (ADC) featuring fully-differential wideband track-and-hold (T/H) inputs, driving two pipelined, 9-stage ADCs. The MAX1182 is optimized for low-power, high-dynamic performance applications in imaging, instrumentation and digital communication applications. This ADC operates from a single +2.7V to +3.6V supply, consuming only 195mW while delivering a typical signal-to-noise ratio (SNR) of 59dB at an input frequency of 20MHz and a sampling rate of 65Msps. The T/H driven input stages incorporate 400MHz (-3dB) input amplifiers. The converters may also be operated with single-ended inputs. In addition to low operating power, the MAX1182 features a 2.8mA sleep mode as well as a 1µA power-down mode to conserve power during idle periods.

An internal +2.048V precision bandgap reference sets the full-scale range of the ADC. A flexible reference structure allows the use of the internal or an externally derived reference, if desired for applications requiring increased accuracy or a different input voltage range.

The MAX1182 features parallel, CMOS-compatible three-state outputs. The digital output format is set to two's complement or straight offset binary through a single control pin. The device provides for a separate output power supply of +1.7V to +3.6V for flexible interfacing. The MAX1182 is available in a 7mm x 7mm, 48-pin TQFP package, and is specified for the extended industrial (-40°C to +85°C) temperature range.

Pin-compatible higher and lower speed versions of the MAX1182 are also available. Please refer to the MAX1180 datasheet for 105Msps, the MAX1181 datasheet for 80Msps, the MAX1183 datasheet for 40Msps, and the MAX1184 datasheet for 20Msps. In addition to these speed grades, this family includes a 20Msps multiplexed output version (MAX1185), for which digital data is presented time-interleaved on a single, parallel 10-bit output port.

## Applications

- High Resolution Imaging
- I/Q Channel Digitization
- Multichannel IF Undersampling
- Instrumentation
- Video Application

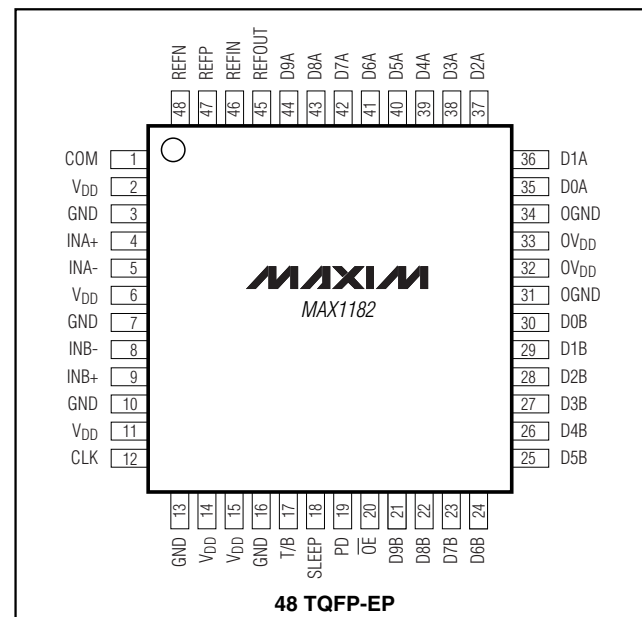
## Features

- ◆ Single +3V Operation
- ◆ Excellent Dynamic Performance:
  - 59dB SNR at  $f_{IN} = 20\text{MHz}$
  - 77dB SFDR at  $f_{IN} = 20\text{MHz}$
- ◆ Low Power:
  - 65mA (Normal Operation)
  - 2.8mA (Sleep Mode)
  - 1µA (Shutdown Mode)
- ◆ 0.02dB Gain and 0.25° Phase Matching (typ)
- ◆ Wide  $\pm 1\text{Vp-p}$  Differential Analog Input Voltage Range
- ◆ 400MHz -3dB Input Bandwidth
- ◆ On-Chip +2.048V Precision Bandgap Reference
- ◆ User-Selectable Output Format—Two's Complement or Offset Binary
- ◆ 48-Pin TQFP Package with Exposed Pad for Improved Thermal Dissipation
- ◆ Evaluation Kit Available

## Ordering Information

| PART       | TEMP. RANGE    | PIN-PACKAGE |
|------------|----------------|-------------|
| MAX1182ECM | -40°C to +85°C | 48 TQFP-EP  |

## Pin Configuration



# Dual 10-Bit, 65Msps, +3V, Low-Power ADC with Internal Reference and Parallel Outputs

## ABSOLUTE MAXIMUM RATINGS

|   |                                    |   |                 |
|---|------------------------------------|---|-----------------|
| V <sub>DD</sub> , OV <sub>DD</sub> to GND | -0.3V to +3.6V                     | Continuous Power Dissipation (T <sub>A</sub> = +70°C) |                 |
| OGND to GND                               | -0.3V to +0.3V                     | 48-Pin TQFP (derate 12.5mW/°C above +70°C)            | 1000mW          |
| INA+, INA-, INB+, INB- to GND             | -0.3V to V <sub>DD</sub>           | Operating Temperature Range                           | -40°C to +85°C  |
| REFIN, REFOUT, REFP, REFN, CLK,           |                                    | Junction Temperature                                  | +150°C          |
| COM to GND                                | -0.3V to (V <sub>DD</sub> + 0.3V)  | Storage Temperature Range                             | -60°C to +150°C |
| OE, PD, SLEEP, T/B, D9A–D0A,              |                                    | Lead temperature (soldering, 10s)                     | +300°C          |
| D9B–D0B to OGND                           | -0.3V to (OV <sub>DD</sub> + 0.3V) |   |                 |

Stresses beyond those listed under "Absolute Maximum Ratings" may cause permanent damage to the device. These are stress ratings only, and functional operation of the device at these or any other conditions beyond those indicated in the operational sections of the specifications is not implied. Exposure to absolute maximum rating conditions for extended periods may affect device reliability.

## ELECTRICAL CHARACTERISTICS

(V<sub>DD</sub> = +3V, OV<sub>DD</sub> = +2.5V; 0.1μF and 1.0μF capacitors from REFP, REFN, and COM to GND; REFOUT connected to REFIN through a 10kΩ resistor, V<sub>IN</sub> = 2Vp-p (differential w.r.t. COM), C<sub>L</sub> = 10pF at digital outputs (Note 5), f<sub>CLK</sub> = 65MHz (50% duty cycle), T<sub>A</sub> = T<sub>MIN</sub> to T<sub>MAX</sub>, unless otherwise noted. Typical values are at T<sub>A</sub> = +25°C.)

| PARAMETER   | SYMBOL            | CONDITIONS  | MIN  | TYP                         | MAX  | UNITS        |
|---|-------------------|---|------|-----------------------------|------|--------------|
| <b>DC ACCURACY</b>  |                   |   |      |                             |      |              |
| Resolution  |                   |   | 10   |                             |      | Bits         |
| Integral Nonlinearity   | INL               | f <sub>IN</sub> = 7.47MHz                               |      | ±0.6                        | ±1.9 | LSB          |
| Differential Nonlinearity   | DNL               | f <sub>IN</sub> = 7.47MHz, no missing codes guaranteed  |      | ±0.4                        | ±1.0 | LSB          |
| Offset Error  |                   |   |      | < ±1                        | ±1.7 | % FS         |
| Gain Error  |                   |   |      | 0                           | ±2   | % FS         |
| <b>ANALOG INPUT</b>   |                   |   |      |                             |      |              |
| Differential Input Voltage Range  | V <sub>DIFF</sub> | Differential or single-ended inputs                     |      | ±1.0                        |      | V            |
| Common-Mode Input Voltage Range   | V <sub>CM</sub>   |   |      | V <sub>DD</sub> /2<br>± 0.5 |      | V            |
| Input Resistance  | R <sub>IN</sub>   | Switched capacitor load                                 |      | 33                          |      | kΩ           |
| Input Capacitance   | C <sub>IN</sub>   |   |      | 5                           |      | pF           |
| <b>CONVERSION RATE</b>  |                   |   |      |                             |      |              |
| Maximum Clock Frequency   | f <sub>CLK</sub>  |   | 65   |                             |      | MHz          |
| Data Latency  |                   |   |      | 5                           |      | Clock Cycles |
| <b>DYNAMIC CHARACTERISTICS</b> (f <sub>CLK</sub> = 65MHz, 4096-point FFT) |                   |   |      |                             |      |              |
| Signal-to-Noise Ratio   | SNR               | f <sub>INA</sub> or B = 7.47MHz, T <sub>A</sub> = +25°C | 56.8 | 59.5                        |      | dB           |
|   |                   | f <sub>INA</sub> or B = 20MHz, T <sub>A</sub> = +25°C   | 56.5 | 59                          |      |              |
|   |                   | f <sub>INA</sub> or B = 39.9MHz (Note 1)                |      | 59                          |      |              |
| Signal-to-Noise and Distortion (up to 5th harmonic)                       | SINAD             | f <sub>INA</sub> or B = 7.47MHz, T <sub>A</sub> = +25°C | 56.5 | 59                          |      | dB           |
|   |                   | f <sub>INA</sub> or B = 20MHz, T <sub>A</sub> = +25°C   | 56   | 58.5                        |      |              |
|   |                   | f <sub>INA</sub> or B = 39.9MHz (Note 1)                |      | 58.5                        |      |              |
| Spurious-Free Dynamic Range   | SFDR              | f <sub>INA</sub> or B = 7.47MHz, T <sub>A</sub> = +25°C | 65   | 76                          |      | dBc          |
|   |                   | f <sub>INA</sub> or B = 20MHz, T <sub>A</sub> = +25°C   | 65   | 77                          |      |              |
|   |                   | f <sub>INA</sub> or B = 39.9MHz, (Note 1)               |      | 75                          |      |              |

# Dual 10-Bit, 65MSPS, +3V, Low-Power ADC with Internal Reference and Parallel Outputs

## ELECTRICAL CHARACTERISTICS (continued)

( $V_{DD} = +3V$ ,  $OV_{DD} = +2.5V$ ; 0.1 $\mu F$  and 1.0 $\mu F$  capacitors from REFP, REFN, and COM to GND; REFOUT connected to REFIN through a 10k $\Omega$  resistor,  $V_{IN} = 2V_{p-p}$  (differential w.r.t. COM),  $C_L = 10pF$  at digital outputs (Note 5),  $f_{CLK} = 65MHz$  (50% duty cycle),  $T_A = T_{MIN}$  to  $T_{MAX}$ , unless otherwise noted. Typical values are at  $T_A = +25^\circ C$ .)

| PARAMETER   | SYMBOL           | CONDITIONS  | MIN  | TYP        | MAX       | UNITS           |
|---|------------------|---|------|------------|-----------|-----------------|
| Third-Harmonic Distortion   | HD3              | $f_{INA}$ or B = 7.47MHz                          |      | -83        |           | dBc             |
|   |                  | $f_{INA}$ or B = 20MHz                            |      | -82        |           |                 |
|   |                  | $f_{INA}$ or B = 39.9MHz (Note 1)                 |      | -77        |           |                 |
| Intermodulation Distortion (first 5 odd-order IMDs)                   | IMD              | $f_{INA}$ or B = 19.13042MHz at -6.5dB FS         |      | -75        |           | dBc             |
|   |                  | $f_{INA}$ or B = 21.2886MHz at -6.5dB FS (Note 2) |      |            |           |                 |
| Total Harmonic Distortion (first 5 harmonics)                         | THD              | $f_{INA}$ or B = 7.47MHz, $T_A = +25^\circ C$     |      | -75.5      | -64       | dBc             |
|   |                  | $f_{INA}$ or B = 20MHz, $T_A = +25^\circ C$       |      | -76        | -63       |                 |
|   |                  | $f_{INA}$ or B = 39.9MHz, (Note 1)                |      | -74        |           |                 |
| Small-Signal Bandwidth  |                  | Input at -20dB FS, differential inputs            |      | 500        |           | MHz             |
| Full-Power Bandwidth  | FPBW             | Input at -0.5dB FS, differential inputs           |      | 400        |           | MHz             |
| Aperture Delay  | $t_{AD}$         |   |      | 1          |           | ns              |
| Aperture Jitter   | $t_{AJ}$         |   |      | 2          |           | psRMS           |
| Overdrive Recovery Time   |                  | For 1.5 x full-scale input                        |      | 2          |           | ns              |
| Differential Gain   |                  |   |      | $\pm 1$    |           | %               |
| Differential Phase  |                  |   |      | $\pm 0.25$ |           | degrees         |
| Output Noise  |                  | $INA+ = INA- = INB+ = INB- = COM$                 |      | 0.2        |           | LSBRMS          |
| <b>INTERNAL REFERENCE</b>   |                  |   |      |            |           |                 |
| Reference Output Voltage  | REFOUT           |   |      | 2.048      | $\pm 3\%$ | V               |
| Reference Temperature Coefficient                                     | $TC_{REF}$       |   |      | 60         |           | ppm/ $^\circ C$ |
| Load Regulation   |                  |   |      | 1.25       |           | mV/mA           |
| <b>BUFFERED EXTERNAL REFERENCE (<math>V_{REFIN} = +2.048V</math>)</b> |                  |   |      |            |           |                 |
| REFIN Input Voltage   | $V_{REFIN}$      |   |      | 2.048      |           | V               |
| Positive Reference Output Voltage                                     | $V_{REFP}$       |   |      | 2.012      |           | V               |
| Negative Reference Output Voltage                                     | $V_{REFN}$       |   |      | 0.988      |           | V               |
| Differential Reference Output Voltage Range                           | $\Delta V_{REF}$ | $\Delta V_{REF} = V_{REFP} - V_{REFN}$            | 0.98 | 1.024      | 1.07      | V               |
| REFIN Resistance  | $R_{REFIN}$      |   |      | >50        |           | M $\Omega$      |

# Dual 10-Bit, 65Mps, +3V, Low-Power ADC with Internal Reference and Parallel Outputs

## ELECTRICAL CHARACTERISTICS (continued)

( $V_{DD} = +3V$ ,  $OV_{DD} = +2.5V$ ; 0.1 $\mu$ F and 1.0 $\mu$ F capacitors from REFP, REFN, and COM to GND; REFOUT connected to REFIN through a 10k $\Omega$  resistor,  $V_{IN} = 2V_{p-p}$  (differential w.r.t. COM),  $C_L = 10pF$  at digital outputs (Note 5),  $f_{CLK} = 65MHz$  (50% duty cycle),  $T_A = T_{MIN}$  to  $T_{MAX}$ , unless otherwise noted. Typical values are at  $T_A = +25^\circ C$ .)

| PARAMETER   | SYMBOL                     | CONDITIONS                                      | MIN | TYP                          | MAX      | UNITS      |
|---|----------------------------|---|-----|------------------------------|----------|------------|
| Maximum REFP, COM Source Current  | $I_{SOURCE}$               |   |     | >5                           |          | mA         |
| Maximum REFP, COM Sink Current  | $I_{SINK}$                 |   |     | 250                          |          | $\mu$ A    |
| Maximum REFN Source Current   | $I_{SOURCE}$               |   |     | 250                          |          | $\mu$ A    |
| Maximum REFN Sink Current   | $I_{SINK}$                 |   |     | >5                           |          | mA         |
| <b>UNBUFFERED EXTERNAL REFERENCE</b> ( $V_{REFIN} = AGND$ , reference voltage applied to REFP, REFN, and COM) |                            |   |     |                              |          |            |
| REFP, REFN Input Resistance   | $R_{REFP}$ ,<br>$R_{REFN}$ | Measured between REFP and COM, and REFN and COM |     | 4                            |          | k $\Omega$ |
| Differential Reference Input Voltage  | $\Delta V_{REF}$           | $\Delta V_{REF} = V_{REFP} - V_{REFN}$          |     | 1.024<br>$\pm 10\%$          |          | V          |
| COM Input Voltage   | $V_{COM}$                  |   |     | $V_{DD}/2$<br>$\pm 10\%$     |          | V          |
| REFP Input Voltage  | $V_{REFP}$                 |   |     | $V_{COM} + \Delta V_{REF}/2$ |          | V          |
| REFN Input Voltage  | $V_{REFN}$                 |   |     | $V_{COM} - \Delta V_{REF}/2$ |          | V          |
| <b>DIGITAL INPUTS (CLK, PD, <math>\overline{OE}</math>, SLEEP, T/B)</b>                                       |                            |   |     |                              |          |            |
| Input High Threshold  | $V_{IH}$                   | CLK   |     | $0.8 \times V_{DD}$          |          | V          |
|   |                            | PD, $\overline{OE}$ , SLEEP, T/B                |     | $0.8 \times OV_{DD}$         |          |            |
| Input Low Threshold   | $V_{IL}$                   | CLK   |     | $0.2 \times V_{DD}$          |          | V          |
|   |                            | PD, $\overline{OE}$ , SLEEP, T/B                |     | $0.2 \times OV_{DD}$         |          |            |
| Input Hysteresis  | $V_{HYST}$                 |   |     | 0.1                          |          | V          |
| Input Leakage   | $I_{IH}$                   | $V_{IH} = OV_{DD}$ or $V_{DD}$ (CLK)            |     |                              | $\pm 5$  | $\mu$ A    |
|   | $I_{IL}$                   | $V_{IL} = 0$                                    |     |                              | $\pm 5$  |            |
| Input Capacitance   | $C_{IN}$                   |   |     | 5                            |          | pF         |
| <b>DIGITAL OUTPUTS (D9A–D0A, D9B–D0B)</b>   |                            |   |     |                              |          |            |
| Output Voltage Low  | $V_{OL}$                   | $I_{SINK} = 200\mu A$                           |     |                              | 0.2      | V          |
| Output Voltage High   | $V_{OH}$                   | $I_{SOURCE} = 200\mu A$                         |     | $OV_{DD} - 0.2$              |          | V          |
| Three-State Leakage Current   | $I_{LEAK}$                 | $\overline{OE} = OV_{DD}$                       |     |                              | $\pm 10$ | $\mu$ A    |
| Three-State Output Capacitance  | $C_{OUT}$                  | $\overline{OE} = OV_{DD}$                       |     | 5                            |          | pF         |

# Dual 10-Bit, 65Msps, +3V, Low-Power ADC with Internal Reference and Parallel Outputs

## ELECTRICAL CHARACTERISTICS (continued)

(V<sub>DD</sub> = +3V, OV<sub>DD</sub> = +2.5V; 0.1μF and 1.0μF capacitors from REFP, REFN, and COM to GND; REFOUT connected to REFIN through a 10kΩ resistor, V<sub>IN</sub> = 2Vp-p (differential w.r.t. COM), C<sub>L</sub> = 10pF at digital outputs (Note 5), f<sub>CLK</sub> = 65MHz (50% duty cycle), T<sub>A</sub> = T<sub>MIN</sub> to T<sub>MAX</sub>, unless otherwise noted. Typical values are at T<sub>A</sub> = +25°C.)

| PARAMETER                          | SYMBOL               | CONDITIONS   | MIN | TYP       | MAX  | UNITS   |
|------------------------------------|----------------------|--|-----|-----------|------|---------|
| <b>POWER REQUIREMENTS</b>          |                      |  |     |           |      |         |
| Analog Supply Voltage Range        | V <sub>DD</sub>      |  | 2.7 | 3.0       | 3.6  | V       |
| Output Supply Voltage Range        | OV <sub>DD</sub>     |  | 1.7 | 2.5       | 3.6  | V       |
| Analog Supply Current              | I <sub>VDD</sub>     | Operating, f <sub>INA</sub> or B = 20MHz at -0.5dB FS                        |     | 65        | 80   | mA      |
|                                    |                      | Sleep mode   |     | 2.8       |      |         |
|                                    |                      | Shutdown, clock idle, PD = $\overline{OE}$ = OV <sub>DD</sub>                |     | 1         | 15   | μA      |
| Output Supply Current              | I <sub>OVDD</sub>    | Operating, C <sub>L</sub> = 15pF, f <sub>INA</sub> or B = 20MHz at -0.5dB FS |     | 11        |      | mA      |
|                                    |                      | Sleep mode   |     | 100       |      |         |
|                                    |                      | Shutdown, clock idle, PD = $\overline{OE}$ = OV <sub>DD</sub>                |     | 2         | 10   | μA      |
| Power Dissipation                  | PDISS                | Operating, f <sub>INA</sub> or B = 20MHz at -0.5dB FS                        |     | 195       | 240  | mW      |
|                                    |                      | Sleep mode   |     | 8.4       |      |         |
|                                    |                      | Shutdown, clock idle, PD = $\overline{OE}$ = OV <sub>DD</sub>                |     | 3         | 45   | μW      |
| Power-Supply Rejection Ratio       | PSRR                 | Offset   |     | ±0.2      |      | mV/V    |
|                                    |                      | Gain   |     | ±0.1      |      | %/V     |
| <b>TIMING CHARACTERISTICS</b>      |                      |  |     |           |      |         |
| CLK Rise to Output Data Valid      | t <sub>DO</sub>      | Figure 3 (Note 3)  |     | 5         | 8    | ns      |
| Output Enable Time                 | t <sub>ENABLE</sub>  | Figure 4   |     | 10        |      | ns      |
| Output Disable Time                | t <sub>DISABLE</sub> | Figure 4   |     | 1.5       |      | ns      |
| CLK Pulse Width High               | t <sub>CH</sub>      | Figure 3, clock period: 15.4ns   |     | 7.7 ± 1.5 |      | ns      |
| CLK Pulse Width Low                | t <sub>CL</sub>      | Figure 3, clock period: 15.4ns   |     | 7.7 ± 1.5 |      | ns      |
| Wake-Up Time                       | t <sub>WAKE</sub>    | Wakeup from Sleep mode (Note 4)  |     | 0.42      |      | μs      |
|                                    |                      | Wakeup from Shutdown (Note 4)  |     | 1.5       |      |         |
| <b>CHANNEL-TO-CHANNEL MATCHING</b> |                      |  |     |           |      |         |
| Crosstalk                          |                      | f <sub>INA</sub> or B = 20MHz at -0.5dB FS                                   |     | -70       |      | dB      |
| Gain Matching                      |                      | f <sub>INA</sub> or B = 20MHz at -0.5dB FS                                   |     | 0.02      | ±0.2 | dB      |
| Phase Matching                     |                      | f <sub>INA</sub> or B = 20MHz at -0.5dB FS                                   |     | 0.25      |      | degrees |

**Note 1:** SNR, SINAD, THD, SFDR, and HD3 are based on an analog input voltage of -0.5dB FS referenced to a +1.024V full-scale input voltage range.

**Note 2:** Intermodulation distortion is the total power of the intermodulation products relative to the individual carrier. This number is 6dB or better, if referenced to the two-tone envelope.

**Note 3:** Digital outputs settle to V<sub>IH</sub>, V<sub>IL</sub>. Parameter guaranteed by design.

**Note 4:** With REFIN driven externally, REFP, COM, and REFN are left floating while powered down.

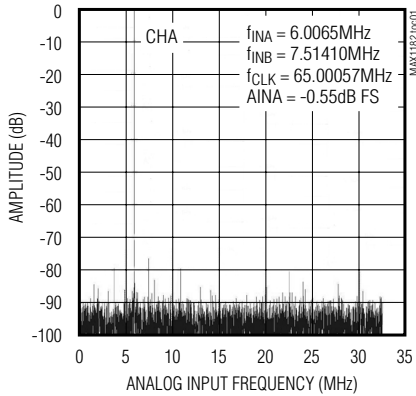
**Note 5:** Equivalent dynamic performance is obtainable over full OV<sub>DD</sub> range with reduced C<sub>L</sub>.

# Dual 10-Bit, 65Mps, +3V, Low-Power ADC with Internal Reference and Parallel Outputs

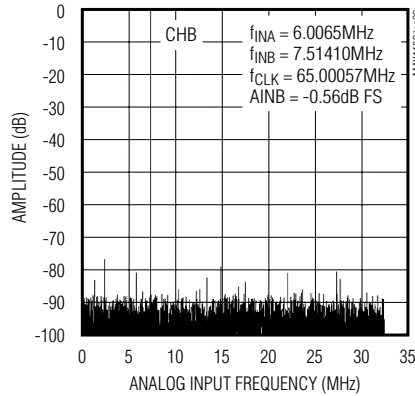
## Typical Operating Characteristics

( $V_{DD} = +3V$ ,  $OV_{DD} = +2.5V$ , internal reference, differential input at  $-0.5dB$  FS,  $f_{CLK} = 65MHz$ ,  $C_L \approx 10pF$ ,  $T_A = +25^\circ C$ , unless otherwise noted.)

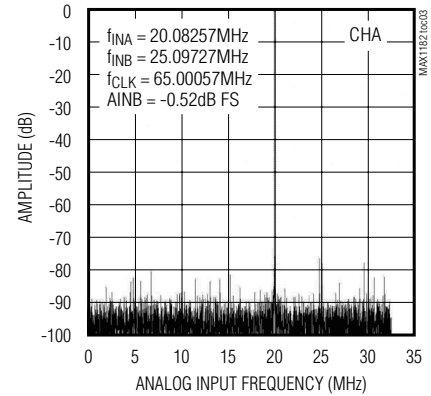
**FFT PLOT CHA (8192-POINT RECORD, DIFFERENTIAL INPUT)**



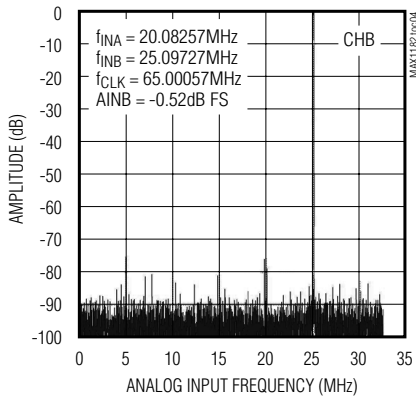
**FFT PLOT CHB (8192-POINT RECORD, DIFFERENTIAL INPUT)**



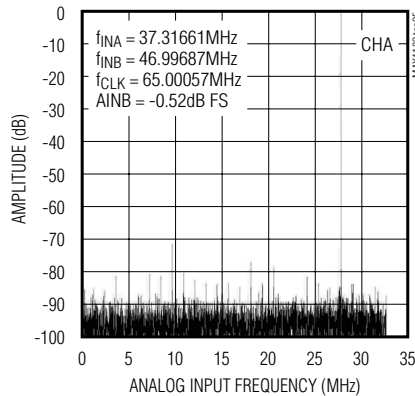
**FFT PLOT CHA (8192-POINT RECORD, DIFFERENTIAL INPUT)**



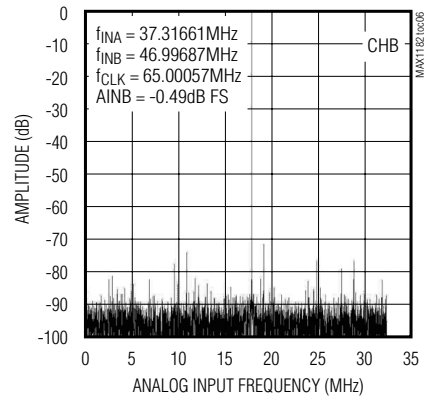
**FFT PLOT CHB (8192-POINT RECORD, DIFFERENTIAL INPUT)**



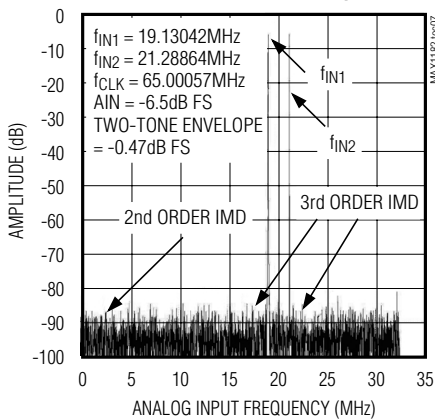
**FFT PLOT CHA (8192-POINT RECORD, DIFFERENTIAL INPUT)**



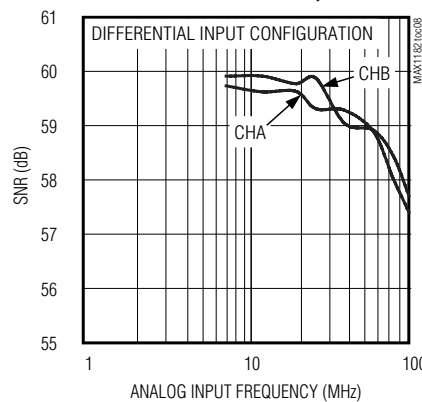
**FFT PLOT CHB (8192-POINT RECORD, DIFFERENTIAL INPUT)**



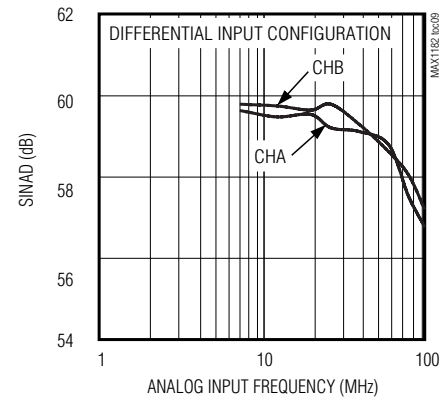
**TWO-TONE IMD PLOT (8192-POINT RECORD, DIFFERENTIAL INPUT)**



**SIGNAL-TO-NOISE RATIO vs. ANALOG INPUT FREQUENCY**



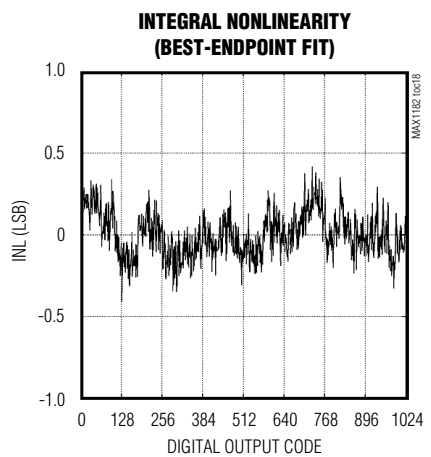
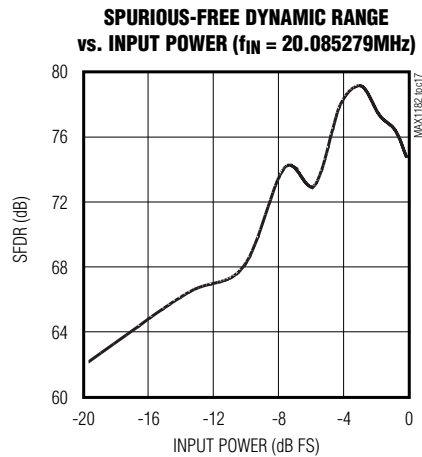
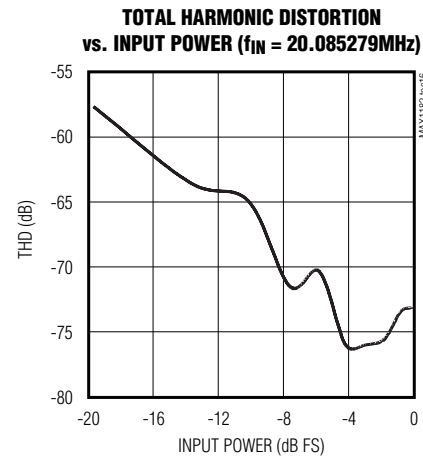
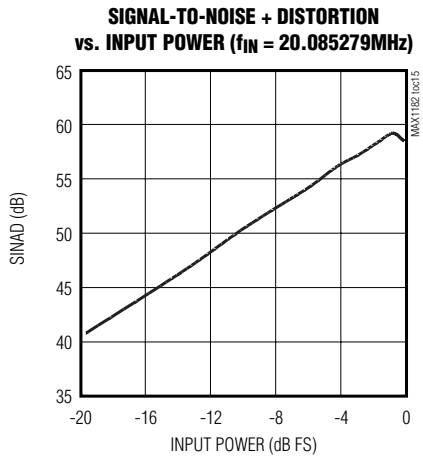
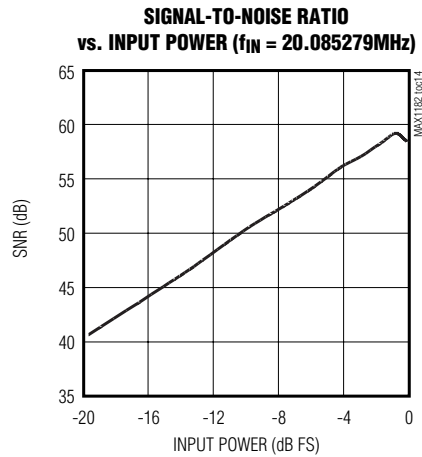
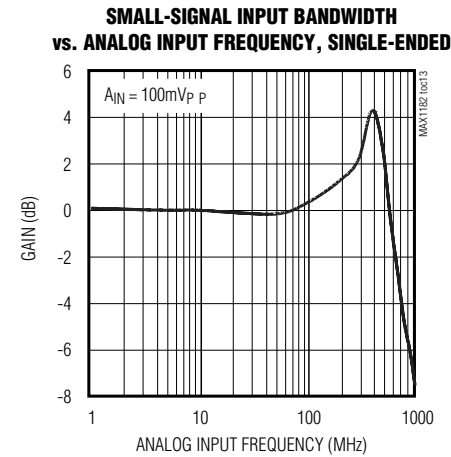
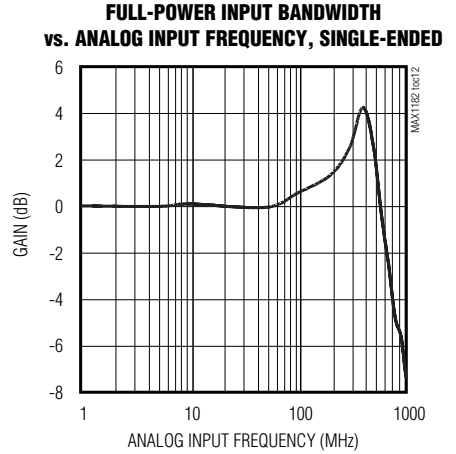
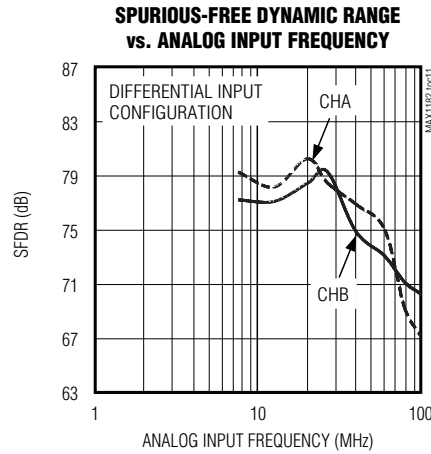
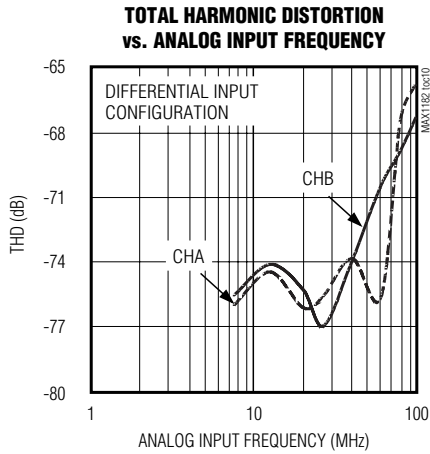
**SIGNAL-TO-NOISE + DISTORTION vs. ANALOG INPUT FREQUENCY**



# Dual 10-Bit, 65Mps, +3V, Low-Power ADC with Internal Reference and Parallel Outputs

## Typical Operating Characteristics (continued)

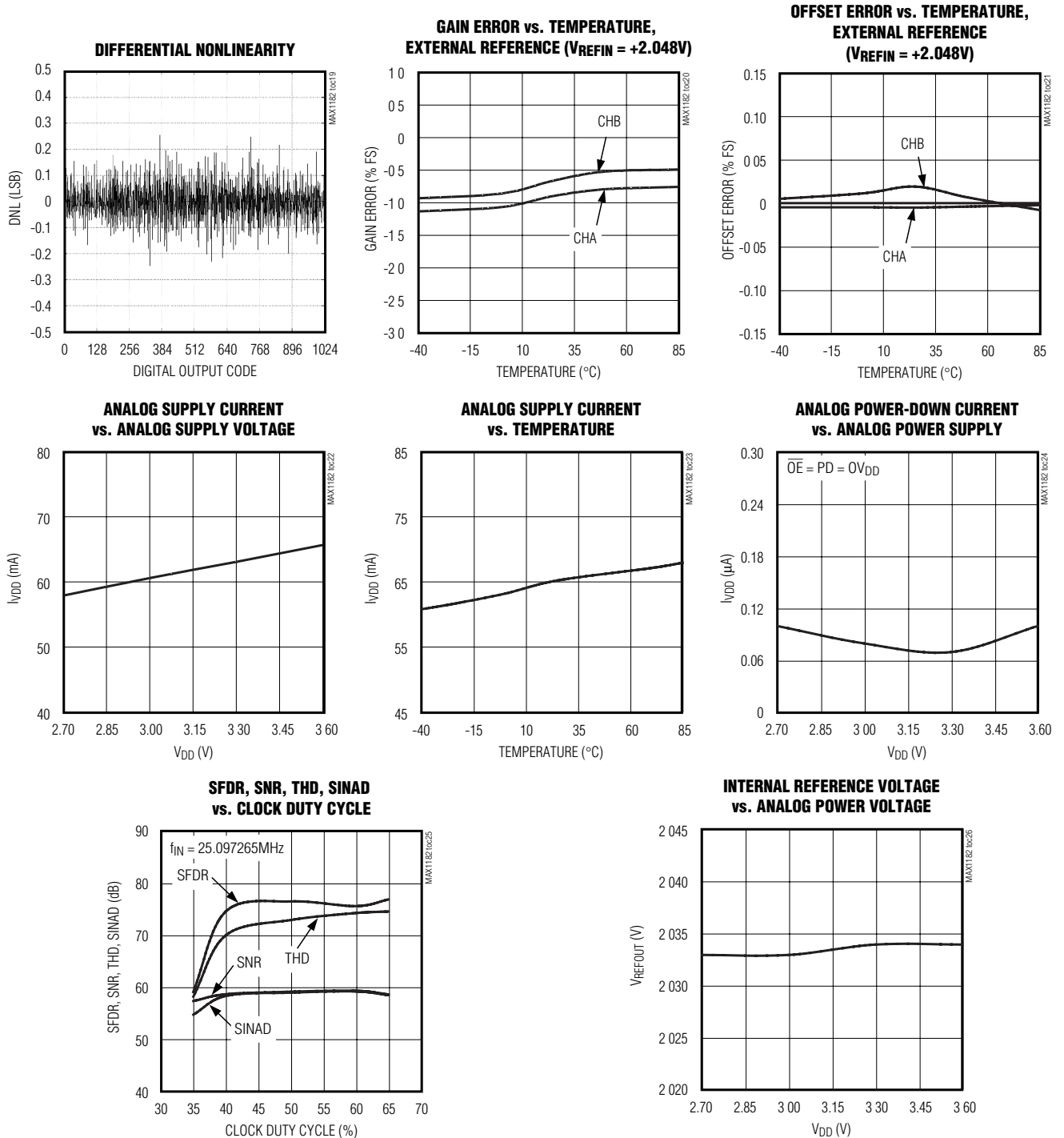
( $V_{DD} = +3V$ ,  $OV_{DD} = +2.5V$ , internal reference, differential input at  $-0.5dB$  FS,  $f_{CLK} = 65MHz$ ,  $C_L \approx 10pF$ ,  $T_A = +25^\circ C$ , unless otherwise noted.)



# Dual 10-Bit, 65Mps, +3V, Low-Power ADC with Internal Reference and Parallel Outputs

## Typical Operating Characteristics (continued)

( $V_{DD} = +3V$ ,  $OV_{DD} = +2.5V$ , internal reference, differential input at  $-0.5dB$  FS,  $f_{CLK} = 65MHz$ ,  $C_L \approx 10pF$ ,  $T_A = +25^\circ C$ , unless otherwise noted.)

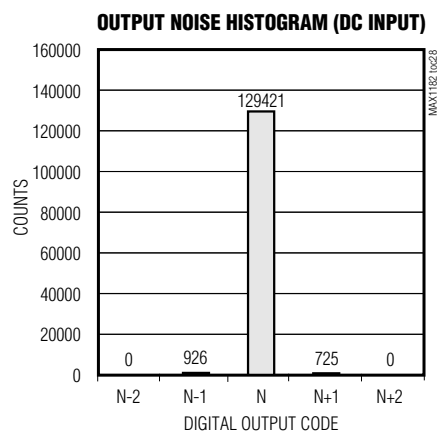
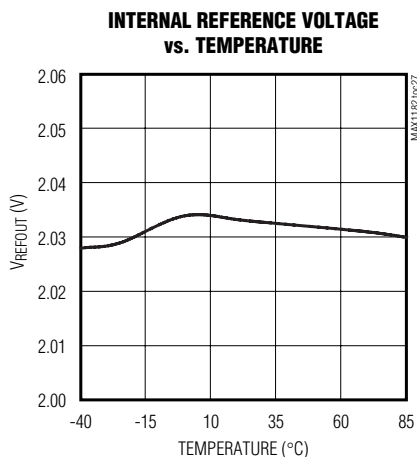




# Dual 10-Bit, 65MSPS, +3V, Low-Power ADC with Internal Reference and Parallel Outputs

## Typical Operating Characteristics (continued)

(V<sub>DD</sub> = +3V, OV<sub>DD</sub> = +2.5V, internal reference, differential input at -0.5dB FS, f<sub>CLK</sub> = 65MHz, C<sub>L</sub> ≈ 10pF, T<sub>A</sub> = +25°C, unless otherwise noted.)



## Pin Description

| PIN              | NAME            | FUNCTION   |
|------------------|-----------------|--|
| 1                | COM             | Common-Mode Voltage Input/Output. Bypass to GND with a ≥0.1μF capacitor.   |
| 2, 6, 11, 14, 15 | V <sub>DD</sub> | Analog Supply Voltage. Bypass to GND with a capacitor combination of 2.2μF in parallel with 0.1μF.                           |
| 3, 7, 10, 13, 16 | GND             | Analog Ground  |
| 4                | INA+            | Channel A Positive Analog Input. For single-ended operation, connect signal source to INA+.                                  |
| 5                | INA-            | Channel A Negative Analog Input. For single-ended operation, connect INA- to COM.  |
| 8                | INB-            | Channel B Negative Analog Input. For single-ended operation, connect INB- to COM.  |
| 9                | INB+            | Channel B Positive Analog Input. For single-ended operation, connect signal source to INB+.                                  |
| 12               | CLK             | Converter Clock Input  |
| 17               | T/B             | T/B selects the ADC digital output format.<br>High: Two's complement.<br>Low: Straight offset binary.                        |
| 18               | SLEEP           | Sleep Mode Input.<br>High: Deactivates the two ADCs, but leaves the reference bias circuit active.<br>Low: Normal operation. |
| 19               | PD              | Power-Down Input.<br>High: Power-down mode<br>Low: Normal operation  |
| 20               | $\overline{OE}$ | Output Enable Input.<br>High: Digital outputs disabled<br>Low: Digital outputs enabled                                       |

# Dual 10-Bit, 65MSPS, +3V, Low-Power ADC with Internal Reference and Parallel Outputs

## Pin Description (continued)

| PIN    | NAME              | FUNCTION   |
|--------|-------------------|--|
| 21     | D9B               | Three-State Digital Output, Bit 9 (MSB), Channel B   |
| 22     | D8B               | Three-State Digital Output, Bit 8, Channel B   |
| 23     | D7B               | Three-State Digital Output, Bit 7, Channel B   |
| 24     | D6B               | Three-State Digital Output, Bit 6, Channel B   |
| 25     | D5B               | Three-State Digital Output, Bit 5, Channel B   |
| 26     | D4B               | Three-State Digital Output, Bit 4, Channel B   |
| 27     | D3B               | Three-State Digital Output, Bit 3, Channel B   |
| 28     | D2B               | Three-State Digital Output, Bit 2, Channel B   |
| 29     | D1B               | Three-State Digital Output, Bit 1, Channel B   |
| 30     | D0B               | Three-State Digital Output, Bit 0 (LSB), Channel B   |
| 31, 34 | OGND              | Output Driver Ground   |
| 32, 33 | OV <sub>DD</sub>  | Output Driver Supply Voltage. Bypass to OGND with a capacitor combination of 2.2μF in parallel with 0.1μF.                 |
| 35     | D0A               | Three-State Digital Output, Bit 0 (LSB), Channel A   |
| 36     | D1A               | Three-State Digital Output, Bit 1, Channel A   |
| 37     | D2A               | Three-State Digital Output, Bit 2, Channel A   |
| 38     | D3A               | Three-State Digital Output, Bit 3, Channel A   |
| 39     | D4A               | Three-State Digital Output, Bit 4, Channel A   |
| 40     | D5A               | Three-State Digital Output, Bit 5, Channel A   |
| 41     | D6A               | Three-State Digital Output, Bit 6, Channel A   |
| 42     | D7A               | Three-State Digital Output, Bit 7, Channel A   |
| 43     | D8A               | Three-State Digital Output, Bit 8, Channel A   |
| 44     | D9A               | Three-State Digital Output, Bit 9 (MSB), Channel A   |
| 45     | REFOUT            | Internal Reference Voltage Output. May be connected to REF <sub>IN</sub> through a resistor or a resistor divider.         |
| 46     | REF <sub>IN</sub> | Reference Input. $V_{REFIN} = 2 \times (V_{REFP} - V_{REFN})$ . Bypass to GND with a >1nF capacitor.                       |
| 47     | REF <sub>P</sub>  | Positive Reference Input/Output. Conversion range is $\pm (V_{REFP} - V_{REFN})$ . Bypass to GND with a > 0.1μF capacitor. |
| 48     | REF <sub>N</sub>  | Negative Reference Input/Output. Conversion range is $\pm (V_{REFP} - V_{REFN})$ . Bypass to GND with a > 0.1μF capacitor. |

# Dual 10-Bit, 65MSPS, +3V, Low-Power ADC with Internal Reference and Parallel Outputs

## Detailed Description

The MAX1182 uses a 9-stage, fully-differential pipelined architecture (Figure 1) that allows for high-speed conversion while minimizing power consumption. Samples taken at the inputs move progressively through the pipeline stages every half clock cycle. Counting the delay through the output latch, the clock-cycle latency is five clock cycles.

1.5-bit (2-comparator) flash ADCs convert the held-input voltages into a digital code. The digital-to-analog converters (DACs) convert the digitized results back into analog voltages, which are then subtracted from the original held input signals. The resulting error signals are then multiplied by two and the residues are passed along to the next pipeline stages where the process is repeated until the signals have been processed by all nine stages. Digital error correction compensates for ADC comparator offsets in each of these pipeline stages and ensures no missing codes.

### Input Track-and-Hold (T/H) Circuits

Figure 2 displays a simplified functional diagram of the input track-and-hold (T/H) circuits in both track and

hold mode. In track mode, switches S1, S2a, S2b, S4a, S4b, S5a and S5b are closed. The fully-differential circuits sample the input signals onto the two capacitors (C2a and C2b) through switches S4a and S4b. S2a and S2b set the common mode for the amplifier input, and open simultaneously with S1, sampling the input waveform. Switches S4a and S4b are then opened before switches S3a and S3b, connect capacitors C1a and C1b to the output of the amplifier, and switch S4c is closed. The resulting differential voltages are held on capacitors C2a and C2b. The amplifiers are used to charge capacitors C1a and C1b to the same values originally held on C2a and C2b. These values are then presented to the first-stage quantizers and isolate the pipelines from the fast-changing inputs. The wide input bandwidth T/H amplifiers allow the MAX1182 to track-and-sample/hold analog inputs of high frequencies (> Nyquist). The ADC inputs (INA+, INB+, INA-, and INB-) can be driven either differentially or single-ended. Match the impedance of INA+ and INA- as well as INB+ and INB- and set the common-mode voltage to mid-supply ( $V_{DD}/2$ ) for optimum performance.

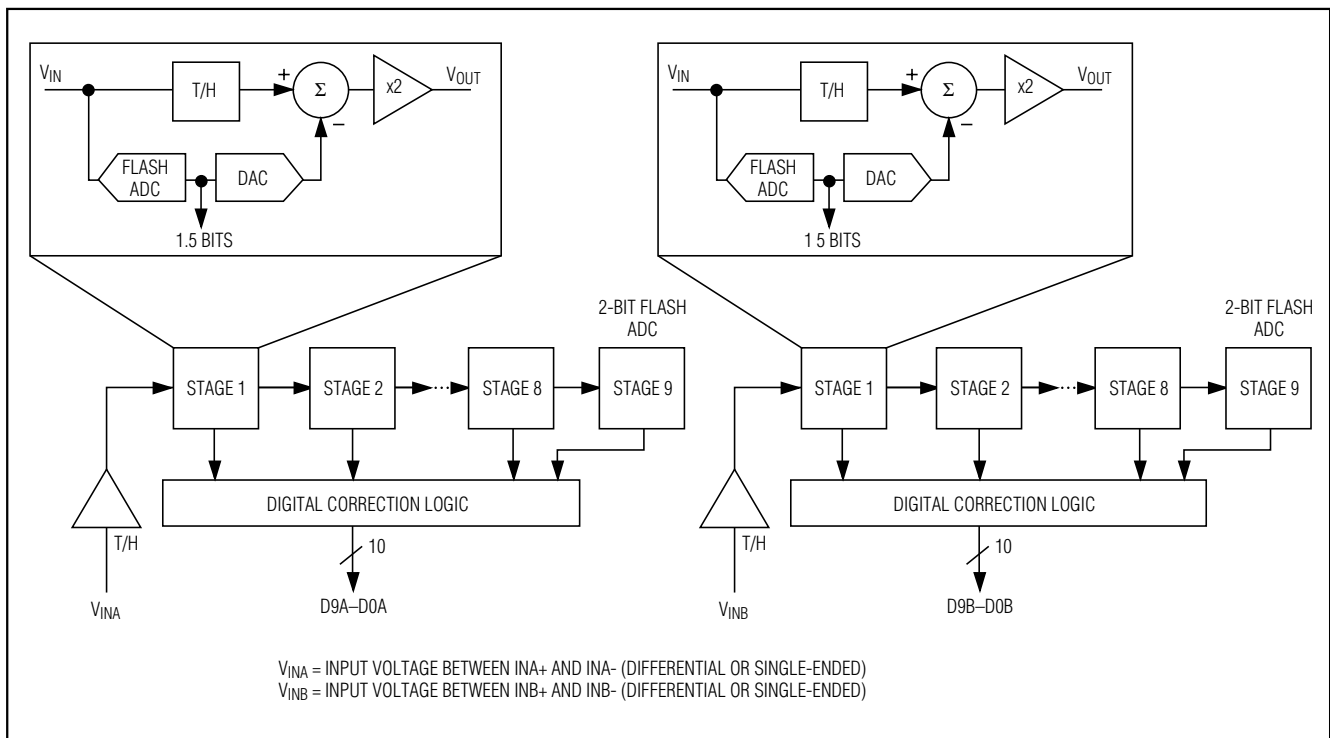


Figure 1. Pipelined Architecture—Stage Blocks



# Dual 10-Bit, 65Msps, +3V, Low-Power ADC with Internal Reference and Parallel Outputs

## Analog Inputs and Reference Configurations

The full-scale range of the MAX1182 is determined by the internally generated voltage difference between REFP ( $V_{DD}/2 + V_{REFIN}/4$ ) and REFN ( $V_{DD}/2 - V_{REFIN}/4$ ). The full-scale range for both on-chip ADCs is adjustable through the REFIN pin, which is provided for this purpose.

REFOUT, REFP, COM ( $V_{DD}/2$ ), and REFN are internally buffered low-impedance outputs.

The MAX1182 provides three modes of reference operation:

- Internal reference mode
- Buffered external reference mode
- Unbuffered external reference mode

In internal reference mode, connect the internal reference output REFOUT to REFIN through a resistor (e.g., 10k $\Omega$ ) or resistor divider, if an application requires a reduced full-scale range. For stability and noise filtering purposes bypass REFIN with a >10nF capacitor to GND. In internal reference mode, REFOUT, COM, REFP, and REFN become low-impedance outputs.

In buffered external reference mode, adjust the reference voltage levels externally by applying a stable and accurate voltage at REFIN. In this mode, COM, REFP, and REFN become outputs. REFOUT may be left open or connected to REFIN through a >10k $\Omega$  resistor.

In unbuffered external reference mode, connect REFIN to GND. This deactivates the on-chip reference buffers for REFP, COM, and REFN. With their buffers shut down, these nodes become high impedance and may be driven through separate external reference sources.

## Clock Input (CLK)

The MAX1182's CLK input accepts CMOS-compatible clock signals. Since the interstage conversion of the device depends on the repeatability of the rising and falling edges of the external clock, use a clock with low jitter and fast rise and fall times (< 2ns). In particular, sampling occurs on the rising edge of the clock signal, requiring this edge to provide lowest possible jitter. Any significant aperture jitter would limit the SNR performance of the on-chip ADCs as follows:

$$\text{SNR}_{\text{dB}} = 20 \times \log_{10} (1 / [2\pi \times f_{\text{IN}} \times t_{\text{AJ}}]),$$

where  $f_{\text{IN}}$  represents the analog input frequency and  $t_{\text{AJ}}$  is the time of the aperture jitter.

Clock jitter is especially critical for undersampling applications. The clock input should always be consid-

ered as an analog input and routed away from any analog input or other digital signal lines.

The MAX1182 clock input operates with a voltage threshold set to  $V_{DD}/2$ . Clock inputs with a duty cycle other than 50%, must meet the specifications for high and low periods as stated in the *Electrical Characteristics*.

## System Timing Requirements

Figure 3 depicts the relationship between the clock input, analog input, and data output. The MAX1182 samples at the rising edge of the input clock. Output data for channels A and B is valid on the next rising edge of the input clock. The output data has an internal latency of five clock cycles. Figure 4 also determines the relationship between the input clock parameters and the valid output data on channels A and B.

## Digital Output Data, Output Data Format Selection (T/B), Output Enable (/OE)

All digital outputs, D0A–D9A (Channel A) and D0B–D9B (Channel B), are TTL/CMOS logic-compatible. There is a 5-clock-cycle latency between any particular sample and its corresponding output data. The output coding can be chosen to be either straight offset binary or two's complement (Table 1) controlled by a single pin (T/B). Pull T/B low to select offset binary and high to activate two's complement output coding. The capacitive load on the digital outputs D0A–D9A and D0B–D9B should be kept as low as possible (<15pF), to avoid large digital currents that could feed back into the analog portion of the MAX1182, thereby degrading its dynamic performance. Using buffers on the digital outputs of the ADCs can further isolate the digital outputs from heavy capacitive loads. To further improve the dynamic performance of the MAX1182 small-series resistors (e.g., 100 $\Omega$ ) maybe added to the digital output paths, close to the MAX1182.

Figure 4 displays the timing relationship between output enable and data output valid as well as power down/wake-up and data output valid.

## Power-Down (PD) and Sleep (SLEEP) Modes

The MAX1182 offers two power-save modes—sleep and full power-down mode. In sleep mode (SLEEP = 1), only the reference bias circuit is active (both ADCs are disabled), and current consumption is reduced to 2.8mA.

To enter full power-down mode, pull PD high. With  $\overline{\text{OE}}$  simultaneously low, all outputs are latched at the last value prior to the power down. Pulling  $\overline{\text{OE}}$  high forces the digital outputs into a high impedance state.

# Dual 10-Bit, 65Mps, +3V, Low-Power ADC with Internal Reference and Parallel Outputs

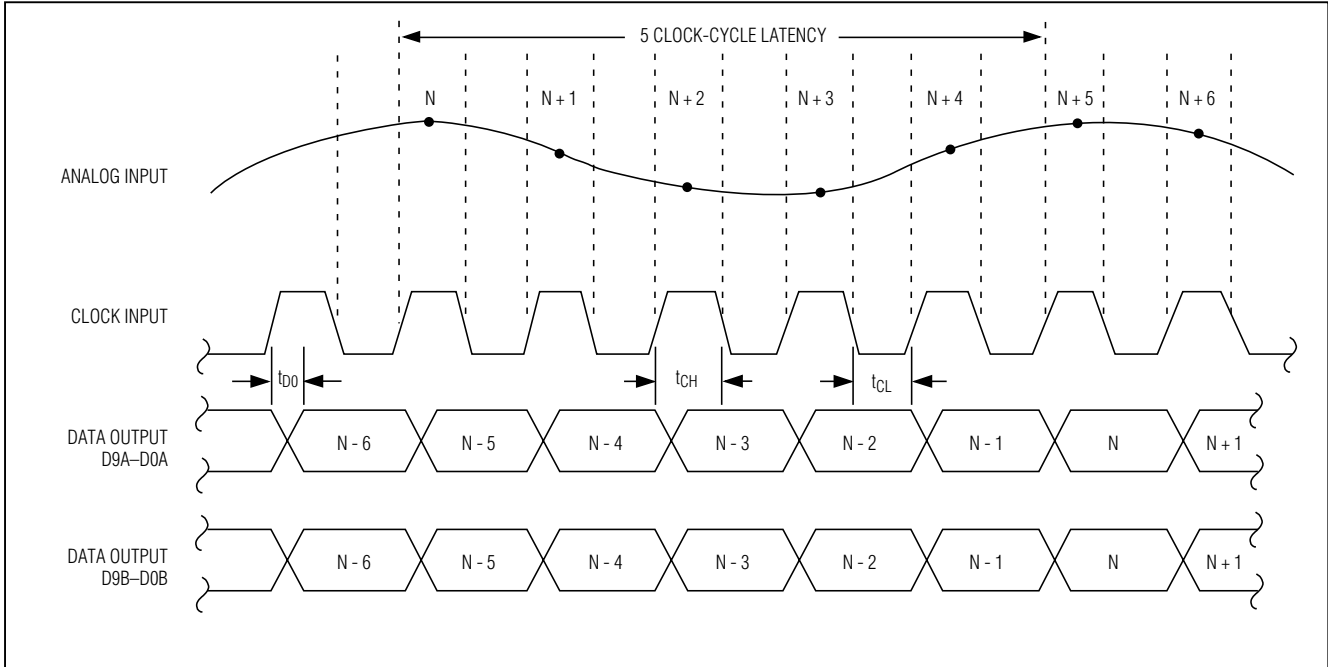


Figure 3. System Timing Diagram

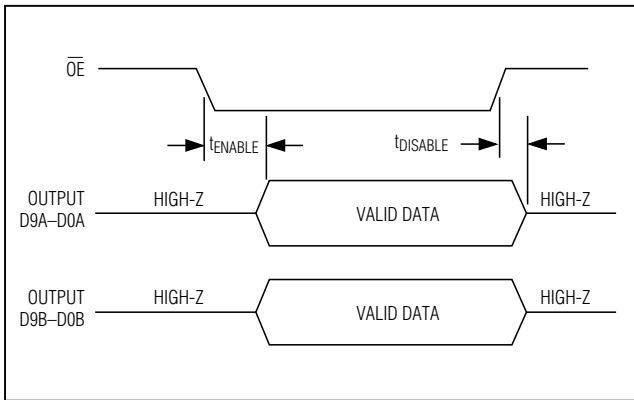


Figure 4. Output Timing Diagram

## Applications Information

Figure 5 depicts a typical application circuit containing two single-ended to differential converters. The internal reference provides a  $V_{DD}/2$  output voltage for level shifting purposes. The input is buffered and then split to a voltage follower and inverter. One lowpass filter per ADC suppresses some of the wideband noise associated with high-speed operational amplifiers, follows the

amplifiers. The user may select the  $R_{ISO}$  and  $C_{IN}$  values to optimize the filter performance, to suit a particular application. For the application in Figure 5, a  $R_{ISO}$  of  $50\Omega$  is placed before the capacitive load to prevent ringing and oscillation. The  $22pF$   $C_{IN}$  capacitor acts as a small bypassing capacitor.

### Using Transformer Coupling

A RF transformer (Figure 6) provides an excellent solution to convert a single-ended source signal to a fully differential signal, required by the MAX1182 for optimum performance. Connecting the center tap of the transformer to COM provides a  $V_{DD}/2$  DC level shift to the input. Although a 1:1 transformer is shown, a step-up transformer may be selected to reduce the drive requirements. A reduced signal swing from the input driver, such as an op amp, may also improve the overall distortion.

In general, the MAX1182 provides better SFDR and THD with fully-differential input signals than single-ended drive, especially for very high input frequencies. In differential input mode, even-order harmonics are lower as both inputs (INA+, INA- and/or INB+, INB-) are balanced, and each of the ADC inputs only requires half the signal swing compared to single-ended mode.

# Dual 10-Bit, 65Msps, +3V, Low-Power ADC with Internal Reference and Parallel Outputs

Table 1. MAX1182 Output Codes For Differential Inputs

| DIFFERENTIAL INPUT VOLTAGE* | DIFFERENTIAL INPUT   | STRAIGHT OFFSET BINARY T/B = 0 | TWO'S COMPLEMENT T/B = 1 |
|-----------------------------|----------------------|--------------------------------|--------------------------|
| $V_{REF} \times 511/512$    | +FULL SCALE - 1LSB   | 11 1111 1111                   | 01 1111 1111             |
| $V_{REF} \times 1/512$      | + 1 LSB              | 10 0000 0001                   | 00 0000 0001             |
| 0                           | Bipolar Zero         | 10 0000 0000                   | 00 0000 0000             |
| $-V_{REF} \times 1/512$     | - 1 LSB              | 01 1111 1111                   | 11 1111 1111             |
| $-V_{REF} \times 511/512$   | - FULL SCALE + 1 LSB | 00 0000 0001                   | 10 0000 0001             |
| $-V_{REF} \times 512/512$   | - FULL SCALE         | 00 0000 0000                   | 10 0000 0000             |

\* $V_{REF} = V_{REFP} - V_{REFN}$

### Single-Ended AC-Coupled Input Signal

Figure 7 shows an AC-coupled, single-ended application. Amplifiers like the MAX4108 provide high-speed, high-bandwidth, low noise, and low distortion to maintain the integrity of the input signal.

### Typical QAM Demodulation Application

The most frequently used modulation technique for digital communications applications is probably the Quadrature Amplitude Modulation (QAM). Typically found in spread-spectrum based systems, a QAM signal represents a carrier frequency modulated in both amplitude and phase. At the transmitter, modulating the baseband signal with quadrature outputs, a local oscillator followed by subsequent up-conversion can generate the QAM signal. The result is an in-phase (I) and a quadrature (Q) carrier component, where the Q component is 90 degree phase-shifted with respect to the in-phase component. At the receiver, the QAM signal is divided down into its I and Q components, essentially representing the modulation process reversed. Figure 8 displays the demodulation process performed in the analog domain, using the dual matched +3V, 10-bit ADC MAX1182 and the MAX2451 quadrature demodulator to recover and digitize the I and Q baseband signals. Before being digitized by the MAX1182, the mixed-down signal components may be filtered by matched analog filters, such as Nyquist or pulse-shaping filters which remove any unwanted images from the mixing process, thereby enhancing the overall signal-to-noise (SNR) performance and minimizing inter-symbol interference.

### Grounding, Bypassing, and Board Layout

The MAX1182 requires high-speed board layout design techniques. Locate all bypass capacitors as close to the device as possible, preferably on the same side as the ADC, using surface-mount devices for minimum inductance. Bypass  $V_{DD}$ , REFP, REFN, and COM with two parallel 0.1 $\mu$ F ceramic capacitors and a 2.2 $\mu$ F bipolar capacitor to GND. Follow the same rules to bypass the digital supply (OVDD) to OGND. Multilayer boards with separated ground and power planes produce the highest level of signal integrity. Consider the use of a split ground plane arranged to match the physical location of the analog ground (GND) and the digital output driver ground (OGND) on the ADCs package. The two ground planes should be joined at a single point such that the noisy digital ground currents do not interfere with the analog ground plane. The ideal location of this connection can be determined experimentally at a point along the gap between the two ground planes, which produces optimum results. Make this connection with a low-value, surface-mount resistor (1 $\Omega$  to 5 $\Omega$ ), a ferrite bead or a direct short. Alternatively, all ground pins could share the same ground plane, if the ground plane is sufficiently isolated from any noisy, digital systems ground plane (e.g., downstream output buffer or DSP ground plane). Route high-speed digital signal traces away from the sensitive analog traces of either channel. Make sure to isolate the analog input lines to each respective converter to minimize channel-to-channel crosstalk. Keep all signal lines short and free of 90 degree turns.

# Dual 10-Bit, 65Mps, +3V, Low-Power ADC with Internal Reference and Parallel Outputs

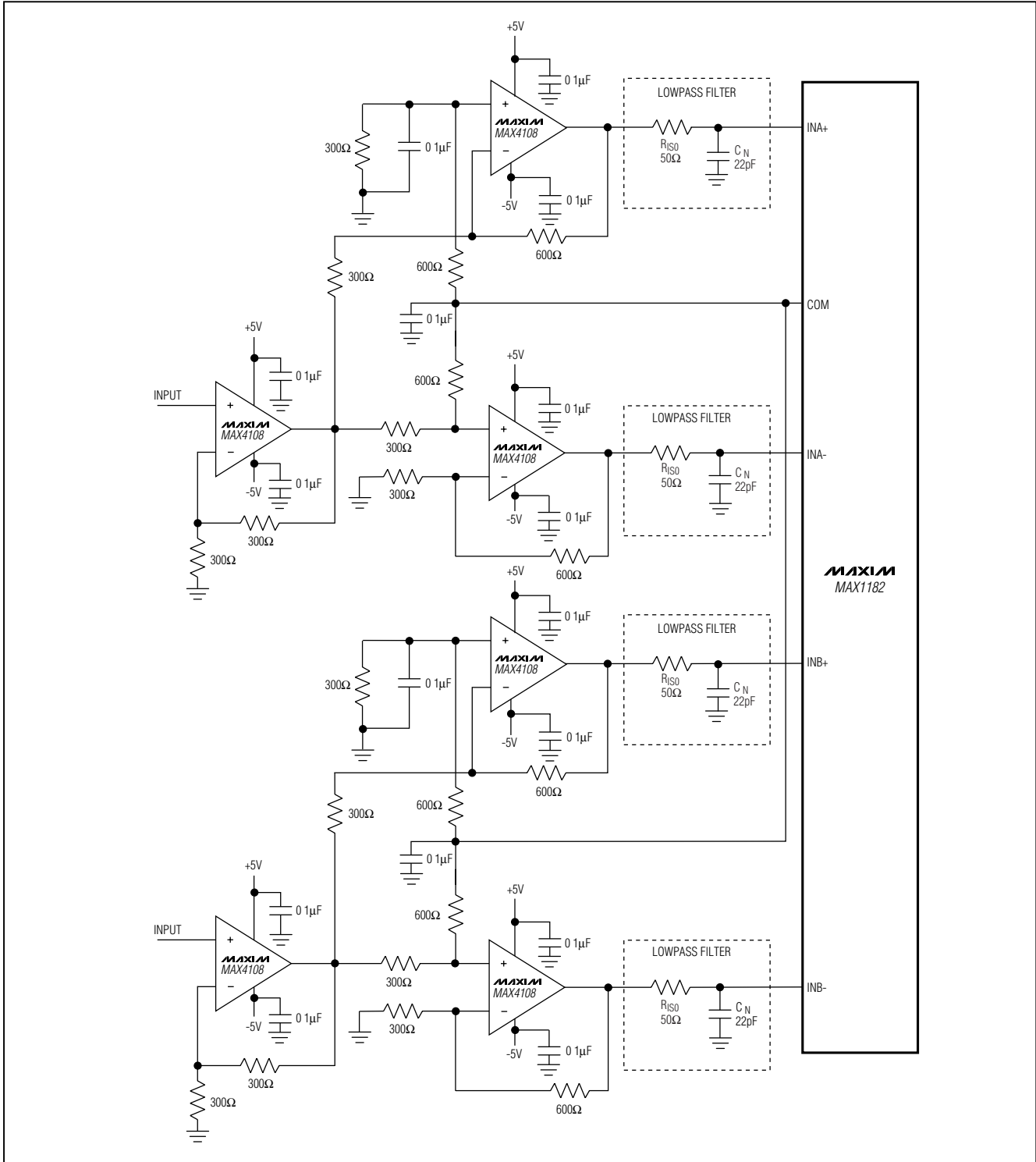


Figure 5. Typical Application for Single-Ended to Differential Conversion



# Dual 10-Bit, 65MSPS, +3V, Low-Power ADC with Internal Reference and Parallel Outputs

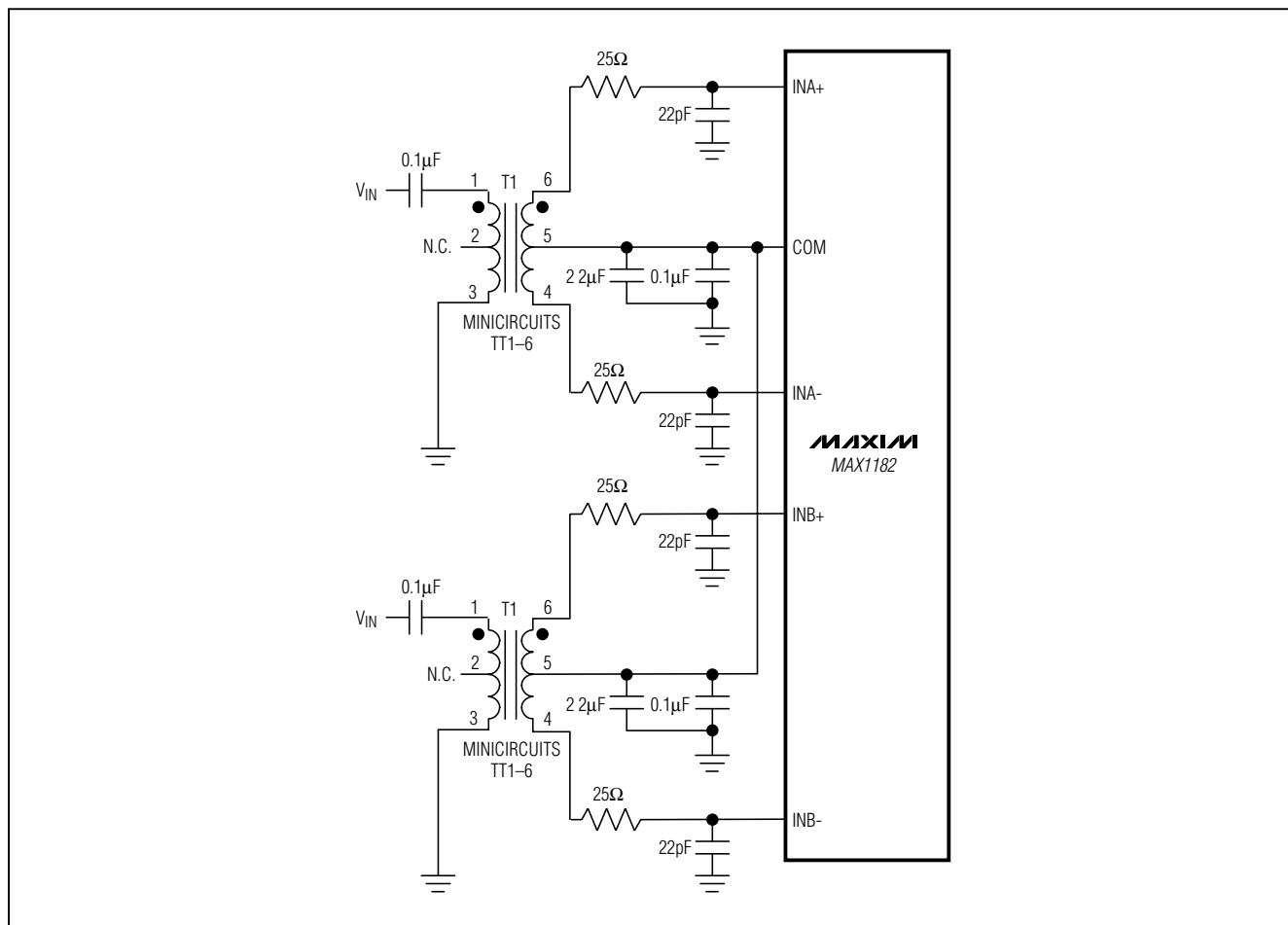


Figure 6. Transformer-Coupled Input Drive

## Static Parameter Definitions

### Integral Nonlinearity (INL)

Integral nonlinearity is the deviation of the values on an actual transfer function from a straight line. This straight line can be either a best straight-line fit or a line drawn between the endpoints of the transfer function, once offset and gain errors have been nullified. The static linearity parameters for the MAX1182 are measured using the best straight-line fit method.

### Differential Nonlinearity (DNL)

Differential nonlinearity is the difference between an actual step-width and the ideal value of 1LSB. A DNL

error specification of less than 1LSB guarantees no missing codes and a monotonic transfer function.

## Dynamic Parameter Definitions

### Aperture Jitter

Figure 9 depicts the aperture jitter ( $t_{AJ}$ ), which is the sample-to-sample variation in the aperture delay.

### Aperture Delay

Aperture delay ( $t_{AD}$ ) is the time defined between the falling edge of the sampling clock and the instant when an actual sample is taken (Figure 9).

# Dual 10-Bit, 65Mps, +3V, Low-Power ADC with Internal Reference and Parallel Outputs

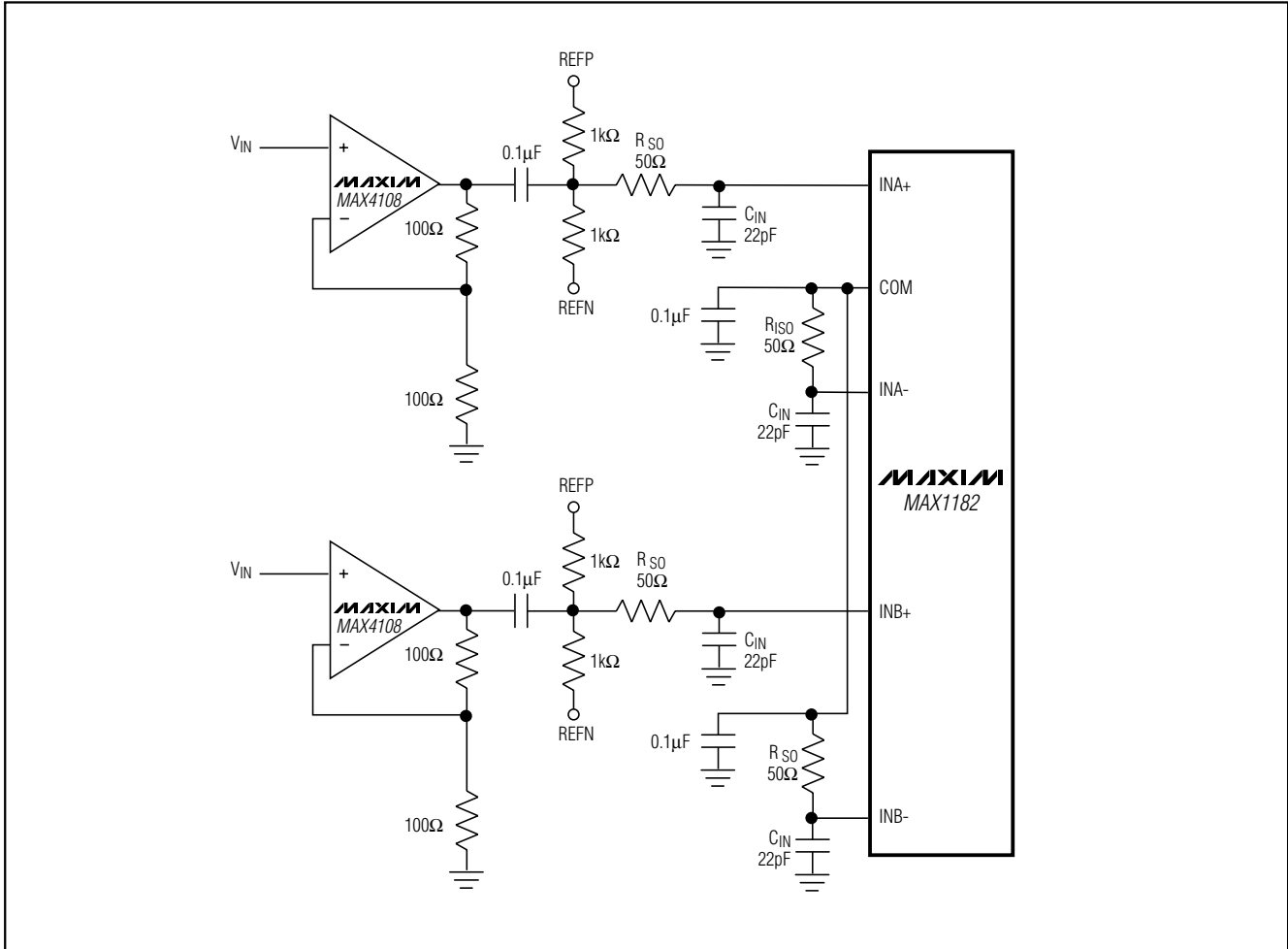


Figure 7: Using an Op Amp for Single-Ended, AC-Coupled Input Drive

### Signal-to-Noise Ratio (SNR)

For a waveform perfectly reconstructed from digital samples, the theoretical maximum SNR is the ratio of the full-scale analog input (RMS value) to the RMS quantization error (residual error). The ideal, theoretical minimum analog-to-digital noise is caused by quantization error only and results directly from the ADC's resolution (N-Bits):

$$\text{SNR}_{\text{dB}[\text{max}]} = 6.02\text{dB} \times N + 1.76\text{dB}$$

In reality, there are other noise sources besides quantization noise e.g. thermal noise, reference noise, clock jitter, etc. SNR is computed by taking the ratio of the RMS signal to the RMS noise, which includes all spectral components minus the fundamental, the first five harmonics, and the DC offset.

### Signal-to-Noise Plus Distortion (SINAD)

SINAD is computed by taking the ratio of the RMS signal to all spectral components minus the fundamental and the DC offset.

### Effective Number of Bits (ENOB)

ENOB specifies the dynamic performance of an ADC at a specific input frequency and sampling rate. An ideal ADC's error consists of quantization noise only. ENOB is computed from:

$$\text{ENOB} = \frac{\text{SINAD}_{\text{dB}} - 1.76\text{dB}}{6.02\text{dB}}$$

# Dual 10-Bit, 65MSPS, +3V, Low-Power ADC with Internal Reference and Parallel Outputs

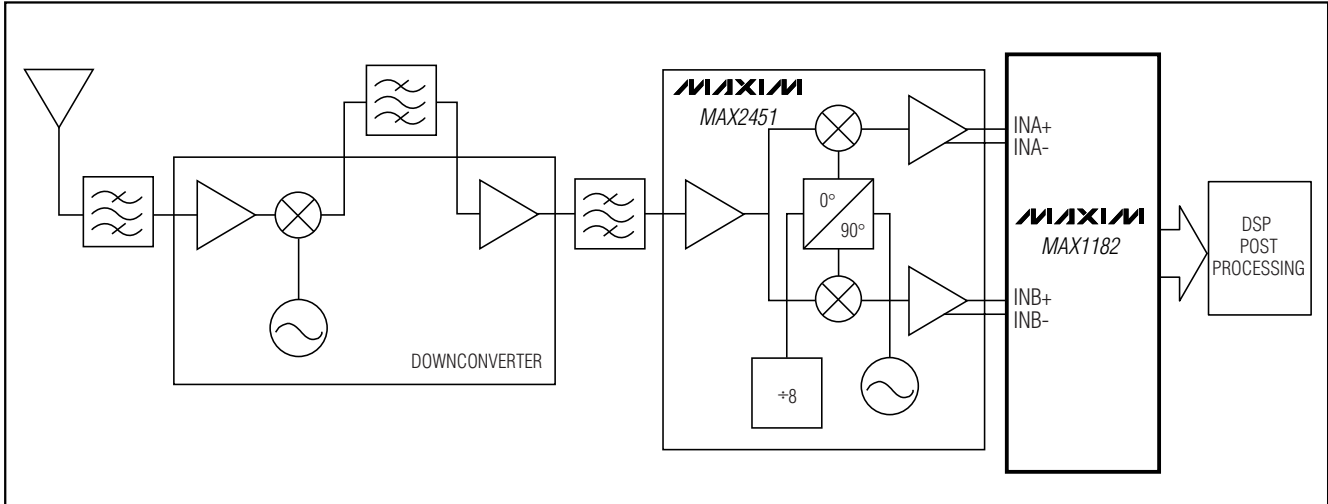


Figure 8. Typical QAM Application, Using the MAX1182

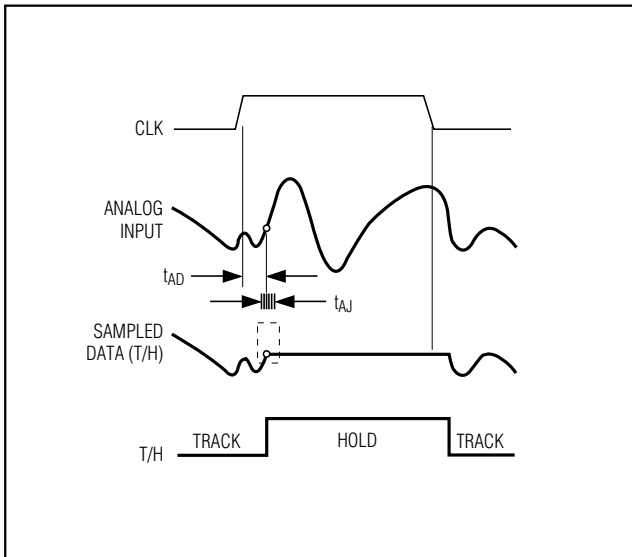


Figure 9. T/H Aperture Timing

### Total Harmonic Distortion (THD)

THD is typically the ratio of the RMS sum of the first four harmonics of the input signal to the fundamental itself. This is expressed as:

$$THD = 20 \times \log_{10} \left( \frac{\sqrt{V_2^2 + V_3^2 + V_4^2 + V_5^2}}{V_1} \right)$$

where  $V_1$  is the fundamental amplitude, and  $V_2$  through  $V_5$  are the amplitudes of the 2nd- through 5th-order harmonics.

### Spurious-Free Dynamic Range (SFDR)

SFDR is the ratio expressed in decibels of the RMS amplitude of the fundamental (maximum signal component) to the RMS value of the next largest spurious component, excluding DC offset.

### Intermodulation Distortion (IMD)

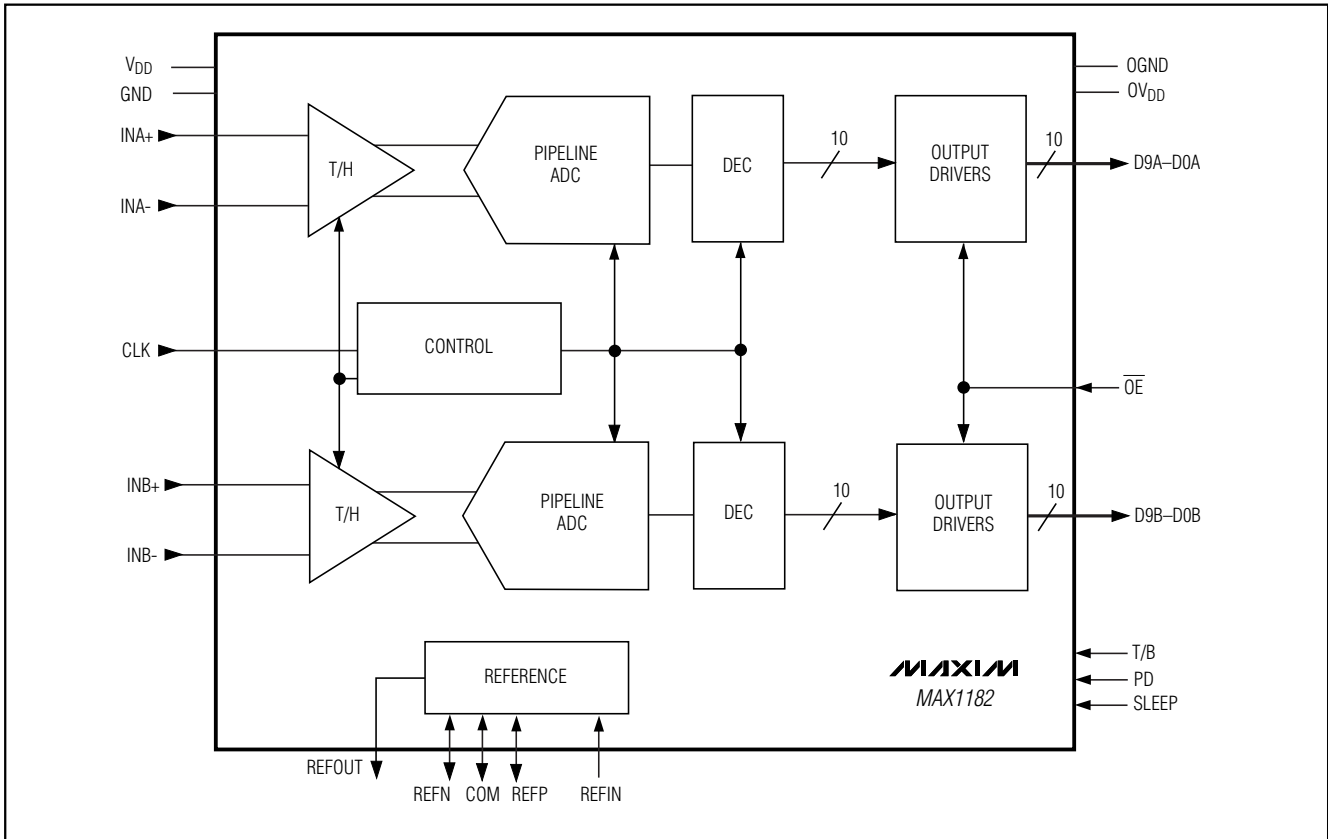
The two-tone IMD is the ratio expressed in decibels of either input tone to the worst 3rd-order (or higher) intermodulation products. The individual input tone levels are at -6.5dB full scale and their envelope is at -0.5dB full scale.

### Chip Information

TRANSISTOR COUNT: 10,811  
PROCESS: CMOS

# Dual 10-Bit, 65MSPS, +3V, Low-Power ADC with Internal Reference and Parallel Outputs

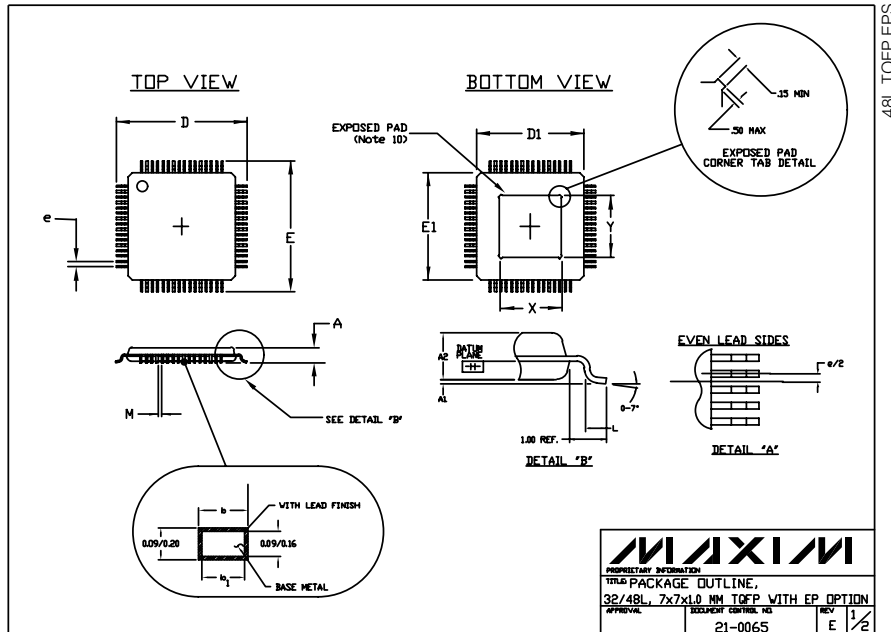
**Functional Diagram**



# Dual 10-Bit, 65Mps, +3V, Low-Power ADC with Internal Reference and Parallel Outputs

## Package Information

MAX1182



**NOTES:**

- ALL DIMENSIONS AND TOLERANCING CONFORM TO ANSI Y14.5-1982.
- DATUM PLANE [A-A] IS LOCATED AT MOLD PARTING LINE AND COINCIDENT WITH LEAD, WHERE LEAD EXITS PLASTIC BODY AT BOTTOM OF PARTING LINE.
- DIMENSIONS D1 AND E1 DO NOT INCLUDE MOLD PROTRUSION. ALLOWABLE MOLD PROTRUSION IS 0.254 MM ON D1 AND E1 DIMENSIONS.
- THE TOP OF PACKAGE IS SMALLER THAN THE BOTTOM OF PACKAGE BY 0.15 MILLIMETERS.
- DIMENSION b DOES NOT INCLUDE DAMBAR PROTRUSION. ALLOWABLE DAMBAR PROTRUSION SHALL BE 0.08 MM TOTAL IN EXCESS OF THE b DIMENSION AT MAXIMUM MATERIAL CONDITION.
- CONTROLLING DIMENSION: MILLIMETER.
- THIS OUTLINE CONFORMS TO JEDEC PUBLICATION 95 REGISTRATION MO-136, VARIATIONS AC AND AE.
- LEADS SHALL BE COPLANAR WITHIN .004 INCH.
- EXPOSED DIE PAD SHALL BE COPLANAR WITH BOTTOM OF PACKAGE WITHIN 2 MILS (.05 MM).
- DIMENSIONS X & Y APPLY TO EXPOSED PAD (EP) VERSIONS ONLY. SEE INDIVIDUAL PRODUCT DATASHEET TO DETERMINE IF A PRODUCT USES EXPOSED PAD PACKAGE.

**JEDEC VARIATION**  
 ALL DIMENSIONS IN MILLIMETERS

|    | AC        |      |      | AE        |      |      |
|----|-----------|------|------|-----------|------|------|
|    | MIN.      | NDM. | MAX. | MIN.      | NDM. | MAX. |
| A  | ~         | ~    | 1.20 | ~         | ~    | 1.20 |
| A1 | 0.05      | 0.10 | 0.15 | 0.05      | 0.10 | 0.15 |
| A2 | 0.95      | 1.00 | 1.05 | 0.95      | 1.00 | 1.05 |
| D  | 9.00 BSC. |      |      | 9.00 BSC. |      |      |
| D1 | 7.00 BSC. |      |      | 7.00 BSC. |      |      |
| E  | 9.00 BSC. |      |      | 9.00 BSC. |      |      |
| E1 | 7.00 BSC. |      |      | 7.00 BSC. |      |      |
| L  | 0.45      | 0.60 | 0.75 | 0.45      | 0.60 | 0.75 |
| M  | 0.15      | ~    | ~    | 0.14      | ~    | ~    |
| N  | 32        |      |      | 48        |      |      |
| e  | 0.80 BSC. |      |      | 0.50 BSC. |      |      |
| b  | 0.30      | 0.37 | 0.45 | 0.17      | 0.22 | 0.27 |
| b1 | 0.30      | 0.35 | 0.40 | 0.17      | 0.20 | 0.23 |
| MX | 3.80      | 3.50 | 3.80 | 3.70      | 4.00 | 4.30 |
| MY | 3.20      | 3.50 | 3.80 | 3.70      | 4.00 | 4.30 |

\* EXPOSED PAD (Note 10)

**MAXIM**  
 PROPRIETARY INFORMATION  
 THIS PACKAGE OUTLINE,  
 32/48L, 7x7x1.0 MM TOFP WITH EP OPTION  
 APPROVAL: [ ] INQUIRY CONTROL NO. [ ] REV: E 2/2  
 21-0065

Maxim cannot assume responsibility for use of any circuitry other than circuitry entirely embodied in a Maxim product. No circuit patent licenses are implied. Maxim reserves the right to change the circuitry and specifications without notice at any time.

Maxim Integrated Products, 120 San Gabriel Drive, Sunnyvale, CA 94086 408-737-7600 \_\_\_\_\_ 21