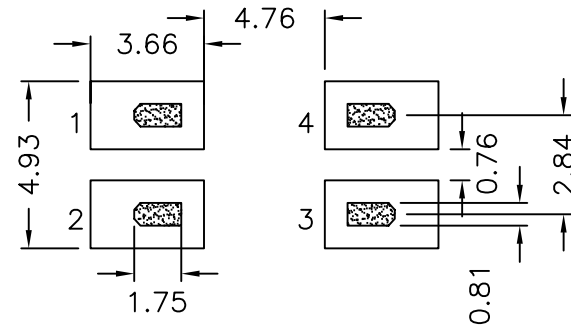
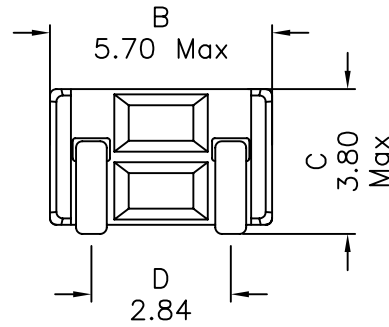
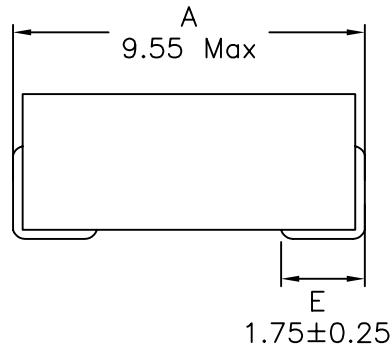


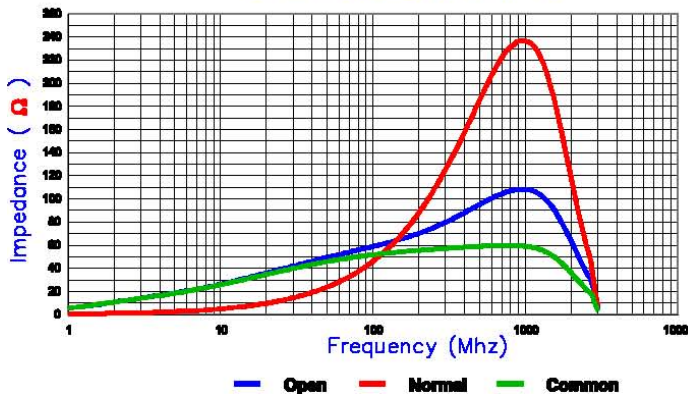
1. Mechanical Dimensions:



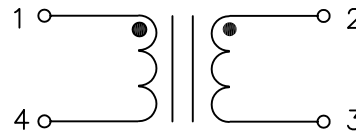
Z, R, X vs. Frequency
COMMON MODE



Frequency (Mhz)
— Z — R — X
Z vs. Frequency (C, N, O)



2. Schematic:



3. Electrical Specifications:

Impedance: 60 Typ Ohms @100Mhz
DCR: 0.00075 Ohms Max
Rated Current: 15A

Notes:

1. Solderability: Leads shall meet MIL-STD-202G, Method 208H for solderability.
2. Flammability: UL94V-0
3. ASTM oxygen index: > 28%
4. Insulation System: Class F 155°C. UL file E151556
5. Operating Temperature Range: All listed parameters are to be within tolerance from -40°C to +85°C
6. Storage Temperature Range: -55°C to +125°C
7. Aqueous wash compatible
8. SMD Lead Coplanarity: ±0.004"(0.102mm)
9. Electrical and mechanical specifications 100% tested
10. RoHS Compliant Component

DOC REV: A/1

PROPRIETARY Document is the property of XFMRs Group & is not allowed to be duplicated without authorization.

XFMRs Inc www.XFMRs.com	Title: Common Mode Choke		
	UNLESS OTHERWISE SPECIFIED	P/N:XFEB3421-600-2-15A	REV. A
TOLERANCES: .xx ±0.10	DWN.	Xianyi	Apr-29-09
Dimensions in MM	CHK.	YK Liao	Apr-29-09
SCALE 4:1 SHT 1 OF 1	APP.	BW	Apr-29-09