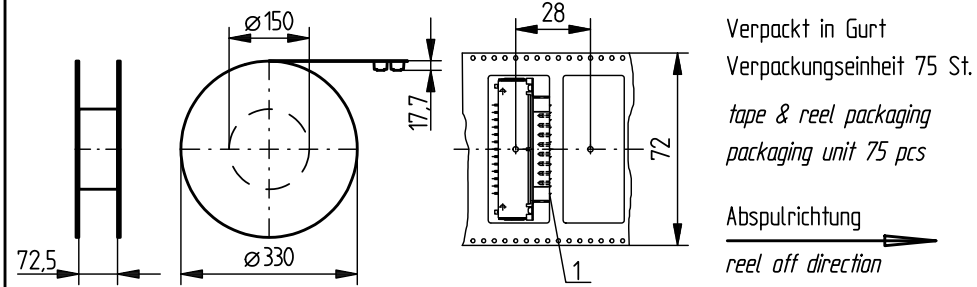


Verpackt in Tray
Verpackungseinheit 20 St.
tray packaging
packaging unit 20 pcs

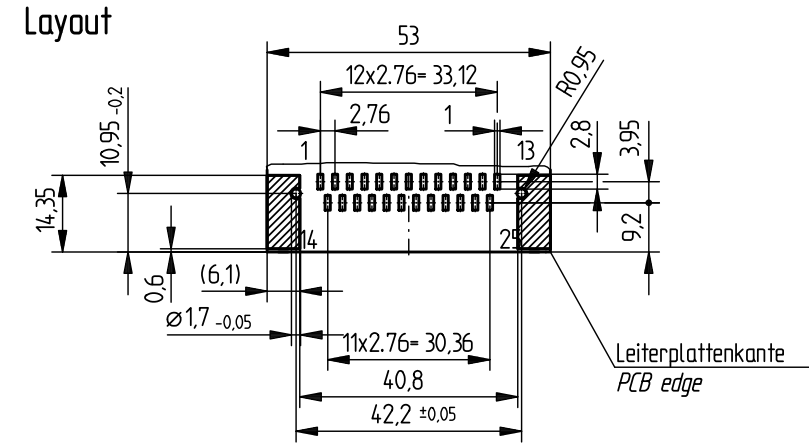
Sonstige Angaben siehe 204629 / Additional indications please see 204629



Verpackt in Gurt
Verpackungseinheit 75 St.
tape & reel packaging
packaging unit 75 pcs

Abspulrichtung
reel off direction

Sonstige Angaben siehe 204655 / Additional indications please see 204655



Fehlende Masse und Angaben siehe DIN 41652 / Missing information and dimensions according to DIN 41652
Sonstige Angaben siehe Fertigungsunterlagen / Additional indications please see the production documentation

Anschlussbereich verzinkt
terminal area tin plating
Koplanarität der Anschlüsse ≤ 0,1 mm
coplanarity area of termination ≤ 0,1 mm
Anforderungsstufe: 2
class: 2

234942	174418	ø3,2			
	154198			#4-40	
	154197			M 3	
374837	154196	#4-40			
	154195	M 3			
Ident-Nr part-no. tape & reel	Ident-Nr part-no. tray	ohne without	Mutter thread	Bolzen bolt	Bemerkung remark

Information:	Tolerances ISO 2768-m	Scale 2:1	Designation TMC-P 25-SMD-Standard TMC-P 25-SMD-Standard
	Subject to modification without prior notice. Drawing will not be updated.		
All rights reserved. Only for information. To insure that this is the latest version of this drawing, please contact one of the ERNI companies before using.		144845	
i	15.04.2009	ERNI	1
Index	Date	V:00067810.SZA	TMCP

Consider protection memo from DIN 34.