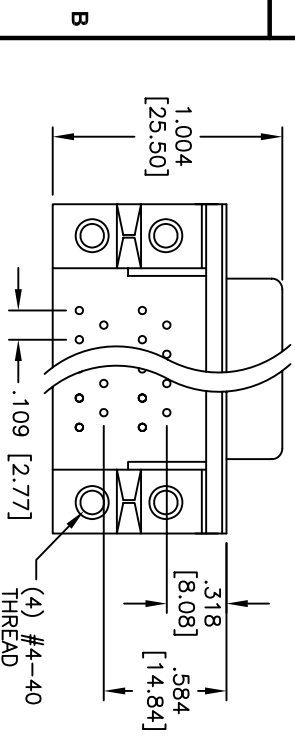
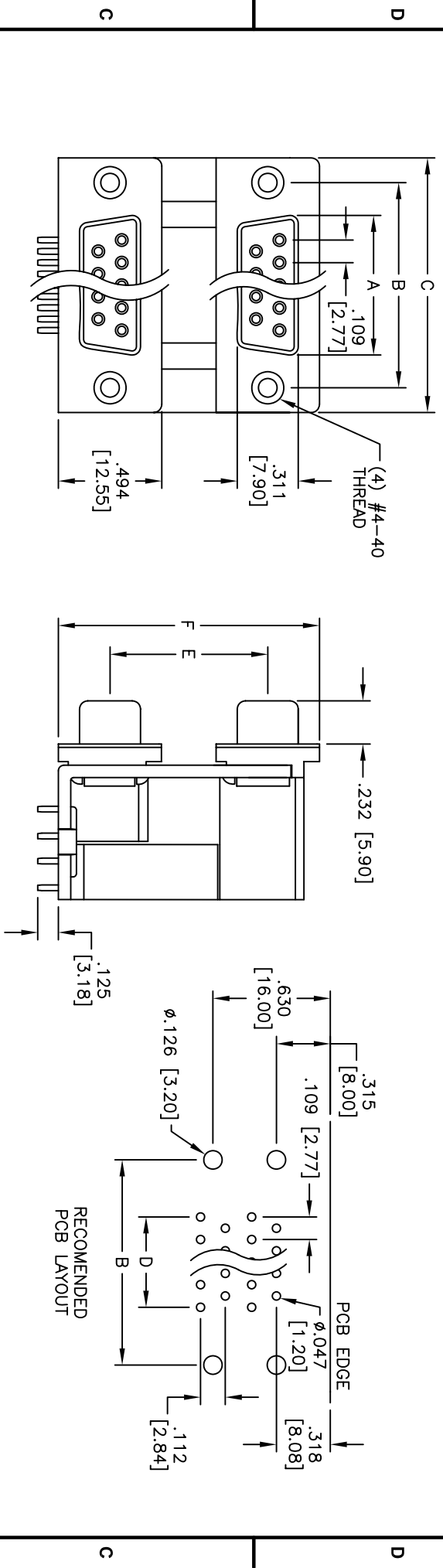


Rev	AWO #	Description	Date	Appr
-		RELEASED	6/10/05	

APPROVED: _____
 DATE: _____ TITLE: _____



PORT SPACING	PLUG DIMENSIONS			
	A	B	C	D
A2	.900 [22.86]	.900 [22.86]	1.394 [35.41]	
B2	.750 [19.05]	.750 [19.05]	1.244 [31.60]	
C2	.625 [15.88]	.625 [15.88]	1.119 [28.43]	

POSITIONS	DIMENSIONS			
	A	B	C	D
9	.643 [16.33]	.984 [24.99]	1.213 [30.81]	.436 [11.08]
15	.971 [24.66]	1.312 [33.32]	1.541 [39.14]	.763 [19.39]
25	1.511 [38.38]	1.852 [47.04]	2.088 [53.04]	1.309 [33.24]
37	2.160 [54.84]	2.500 [63.50]	2.729 [69.32]	1.963 [49.86]

SPECIFICATIONS:

Material: Insulator: PBT, rated UL 94V-0
 Insulator color: Black
 Contacts: Phosphor Bronze
 Shell: Steel, Zinc plated
 Plating: Gold flash over Nickel underplate overall

Electrical: Operating voltage: 250 VAC max.
 Current rating: 5 Amps max.
 Contact resistance: 20 mohms max. initial
 Insulation resistance: 5,000 Mohms min.
 Dielectric withstanding voltage: 1,000 VAC for 1 minute
 Temperature Rating: Operating temperature: -65°C to +125°C
 Environmental: Lead free, RoHS compliant
 Recommended soldering temp: 235°C for 5 seconds



ADAM TECH

909 Rahway Avenue, Union, NJ 07083
 Phone: 908-687-5000 Fax: 908-687-5710

TITLE: DUAL PORT D-SUB, FEMALE / FEMALE
 #4-40 THREADED HOLES
 DRAWN: SS 6/10/05
 CHECKED: X
 APPROVED: X
 SIZE: X
 PART NO.: DDP-XX-00-X2
 SCALE: NTS
 SHEET 1 OF 1