



# ICR803-B0271

ICR80x

**IMAGE-BASED CODE READERS**

**SICK**  
Sensor Intelligence.



### Ordering information

Type	Part no.
ICR803-B0271	6034213

Other models and accessories → [www.sick.com/ICR80x](http://www.sick.com/ICR80x)



### Detailed technical data

#### Features

<b>Version</b>	Mid Range
<b>Connection type</b>	USB
<b>Reading field</b>	Front
<b>Focus</b>	Fixed focus
<b>Focus position</b>	180 mm
<b>Sensor</b>	752 x 480 px
<b>Light source</b>	Visible red light (LED lighting, 630 nm) Visible green light (LED aiming line, 530 nm)
<b>Code resolution</b>	≥ 0.21 mm <sup>1)</sup> ≥ 0.38 mm <sup>2)</sup>
<b>Reading distance</b>	50 mm ... 330 mm <sup>1) 3)</sup>

<sup>1)</sup> 1D.

<sup>2)</sup> 2D.

<sup>3)</sup> For details see reading field diagram.

#### Performance

<b>Readable code structures</b>	1D, 2D, Stacked
<b>Bar code types</b>	Codabar, Code 39, Interleaved 2 of 5, Code 93, Code 128, UPC / GTIN / EAN, RSS, Codablock F, Post (only SR/SF): Postnet, Planet Code, Royal Mail, Canada Post (PostBar), Japan Post, KIX (Royal Dutch TPG Post)
<b>2D code types</b>	MaxiCode, Data Matrix, QR code, Aztec, Aztec Mesas, Code 49 and EAN • UCC Composite
<b>OCR/OCV fonts</b>	OCR-A, OCR-B
<b>Image capture</b>	BMP, JPEG, TIFF

#### Interfaces

<b>Ethernet TCP/IP</b>	✓
Type of fieldbus integration	Optional via external connection module CDM + CMF
<b>CAN</b>	✓
Type of fieldbus integration	Optional via external connection module CAN232
<b>PROFIBUS DP</b>	✓
Type of fieldbus integration	Optional over external fieldbus module CDF600-2
<b>DeviceNet™</b>	✓

Type of fieldbus integration	Optional via external connection module CDM + CMF
<b>USB</b>	✓
Function	Keyboard wedge, COM-Port emulation
<b>Acoustic indicators</b>	Beeper (can be switched off, to confirm reading)

Mechanics/electronics

<b>Operating voltage</b>	≤ 5 V DC
<b>Housing</b>	Plastic
<b>Housing color</b>	Light blue (RAL 5012)
<b>Weight</b>	37 g
<b>Dimensions (L x W x H)</b>	49 mm x 40 mm x 25 mm

Ambient data

<b>Ambient operating temperature</b>	0 °C ... +50 °C
<b>Storage temperature</b>	-20 °C ... +60 °C

General notes

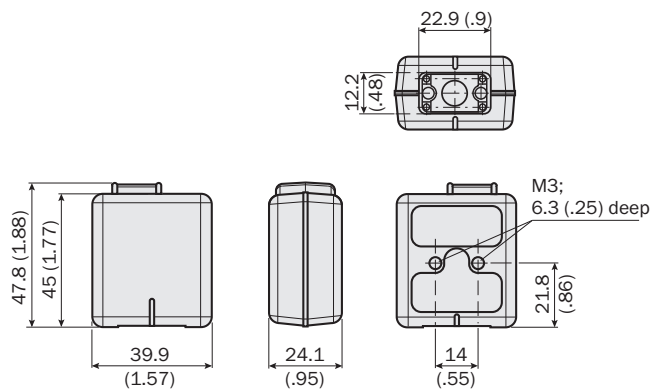
<b>Note</b>	For setting-up operation ia a connection cable and if necessary a power supply unit is additionally required.
-------------	---

Classifications

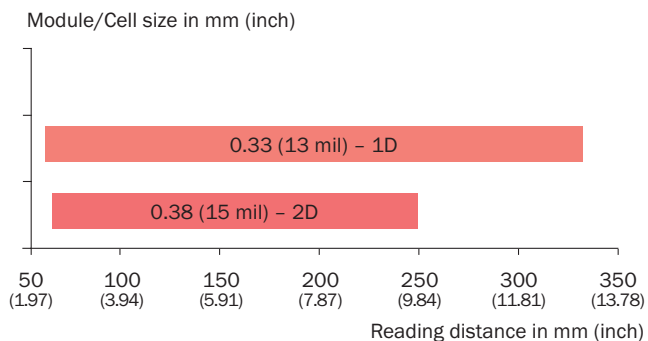
<b>ECI@ss 5.0</b>	27280103
<b>ECI@ss 5.1.4</b>	27280103
<b>ECI@ss 6.0</b>	27280103
<b>ECI@ss 6.2</b>	27280103
<b>ECI@ss 7.0</b>	27280103
<b>ECI@ss 8.0</b>	27280103
<b>ECI@ss 8.1</b>	27280103
<b>ECI@ss 9.0</b>	27280103
<b>ETIM 5.0</b>	EC002550
<b>ETIM 6.0</b>	EC002550
<b>UNSPSC 16.0901</b>	43211701

**Dimensional drawing** (Dimensions in mm (inch))

ICR80x





**Reading field diagram**



**Recommended accessories**

Other models and accessories → [www.sick.com/ICR80x](http://www.sick.com/ICR80x)

	Brief description	Type	Part no.
<b>Mounting brackets and plates</b>			
	Bracket with adapter board	Mounting bracket	2050023
<b>Plug connectors and cables</b>			
	Head A: male connector, USB-A Head B: male connector, RJ45 Cable: USB, unshielded, 2.3 m	USB cable	6028232

## SICK AT A GLANCE

SICK is one of the leading manufacturers of intelligent sensors and sensor solutions for industrial applications. A unique range of products and services creates the perfect basis for controlling processes securely and efficiently, protecting individuals from accidents and preventing damage to the environment.

We have extensive experience in a wide range of industries and understand their processes and requirements. With intelligent sensors, we can deliver exactly what our customers need. In application centers in Europe, Asia and North America, system solutions are tested and optimized in accordance with customer specifications. All this makes us a reliable supplier and development partner.

Comprehensive services complete our offering: SICK LifeTime Services provide support throughout the machine life cycle and ensure safety and productivity.

For us, that is “Sensor Intelligence.”

## WORLDWIDE PRESENCE:

Contacts and other locations –[www.sick.com](http://www.sick.com)