

isc N-Channel MOSFET Transistor

IPW65R310CFD

IIPW65R310CFD

• FEATURES

- Static drain-source on-resistance:
 $R_{ds(on)} \leq 310m\Omega$
- Enhancement mode:
- 100% avalanche tested
- Minimum Lot-to-Lot variations for robust device performance and reliable operation

• DESCRIPTION

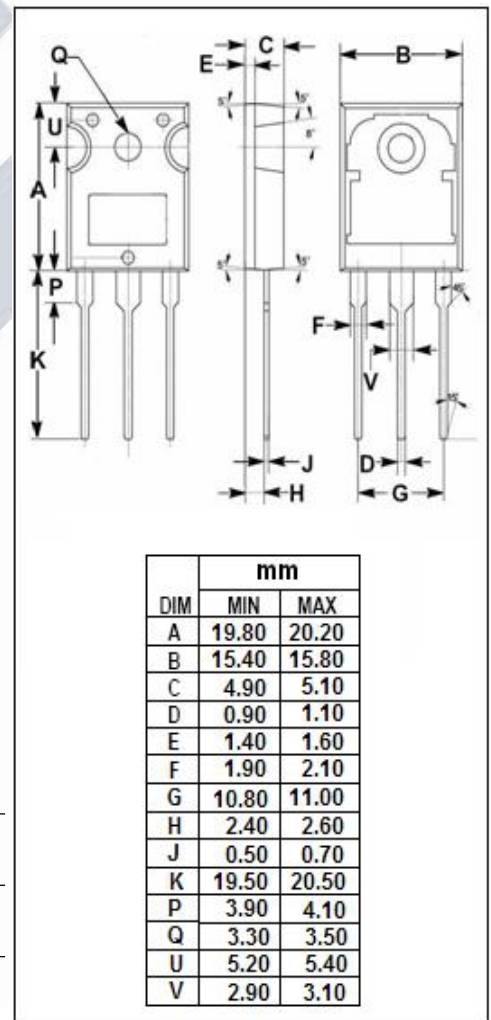
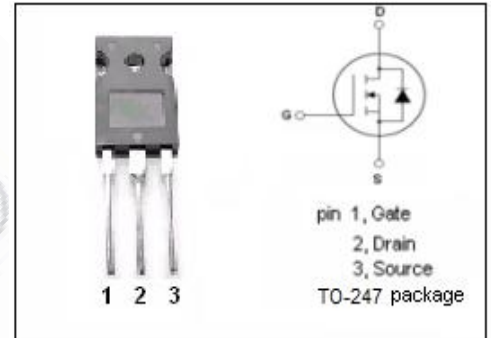
- Fast Switching

• ABSOLUTE MAXIMUM RATINGS($T_a=25^\circ C$)

SYMBOL	PARAMETER	VALUE	UNIT
V_{DSS}	Drain-Source Voltage	650	V
V_{GS}	Gate-Source Voltage	± 20	V
I_D	Drain Current-Continuous	11.4	A
I_{DM}	Drain Current-Single Pulsed	34.4	A
P_D	Total Dissipation @ $T_c=25^\circ C$	104.2	W
T_j	Max. Operating Junction Temperature	150	$^\circ C$
T_{stg}	Storage Temperature	-55~150	$^\circ C$

• THERMAL CHARACTERISTICS

SYMBOL	PARAMETER	MAX	UNIT
$R_{th(j-c)}$	Channel-to-case thermal resistance	1.2	$^\circ C/W$
$R_{th(j-a)}$	Channel-to-ambient thermal resistance	62	$^\circ C/W$



isc N-Channel MOSFET Transistor
IPW65R310CFD
IIPW65R310CFD
ELECTRICAL CHARACTERISTICS

 T_c=25°C unless otherwise specified

SYMBOL	PARAMETER	CONDITIONS	MIN	TYP	MAX	UNIT
B _{VDS}	Drain-Source Breakdown Voltage	V _{GS} =0V; I _D =1mA	650			V
V _{GS(th)}	Gate Threshold Voltage	V _{DS} =V _{GS} ; I _D =0.4mA	3.5		4.5	V
R _{DS(on)}	Drain-Source On-Resistance	V _{GS} =10V; I _D =4.4A			310	mΩ
I _{GSS}	Gate-Source Leakage Current	V _{GS} = 20V; V _{DS} =0V			0.1	mA
I _{DSS}	Drain-Source Leakage Current	V _{DS} =650V; V _{GS} = 0V			1	μA
V _{SD}	Diode forward voltage	I _F =6.6A, V _{GS} = 0V				V