

TENTATIVE

MITSUBISHI<LINEAR IC>

M52739FP

IIC BUS controled 3channel video pre-amplifier for LCD display monitor.

DESCRIPTION

M52739FP is integrated Circuit for LCD Display Monitor.It is controled IIC BUS and Band Wide is 180MHz. It includes OSD Blanking ,OSD Mixing,Wide Band Amplifier,Main/Sub Contrast Main/Sub Brightness ,and 2 Input routes. Vcc Voltage is 5V and Flat package is used. then it is the suitable to LCD monitor.

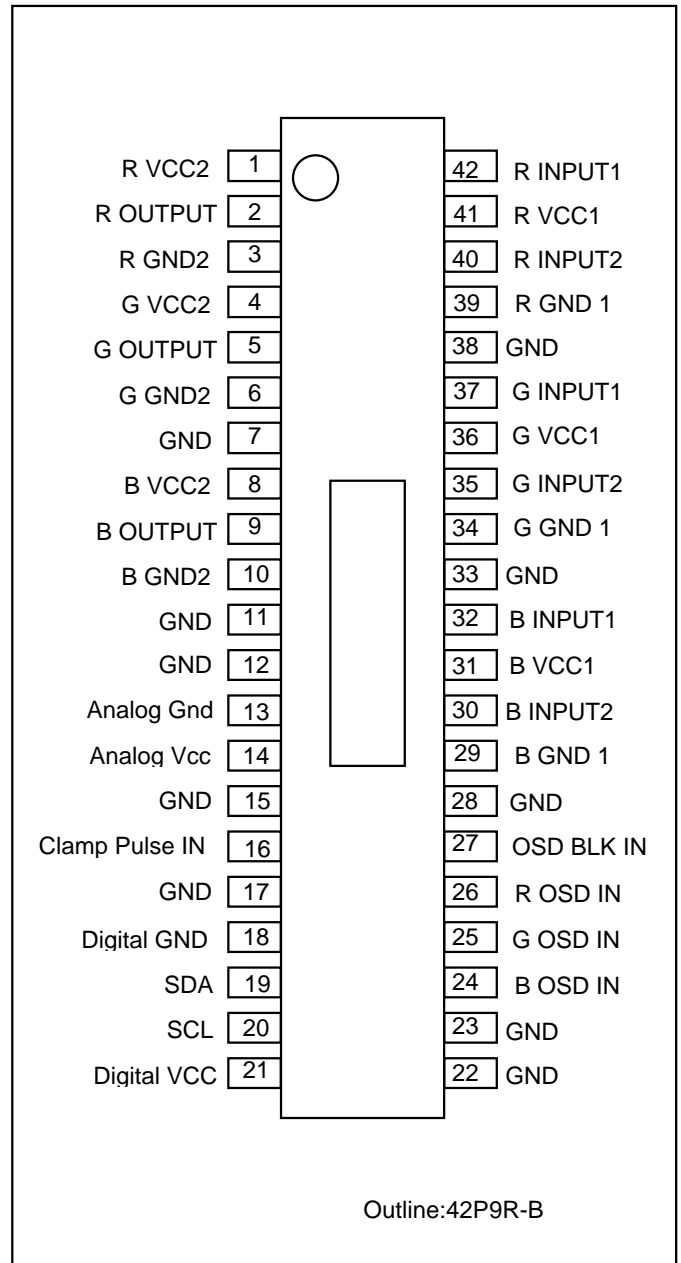
FEATURES

- 1.Frequency : RGB 180MHz(at -3dB)
Band Width OSD 80MHz
- 2.Input :
RGB Input D range:Max1VP-P positive
2 input routes is changed by IIC BUS
RGB OSD 3.5VP-P ~ 5.0VP-P(positive)
- 3.Output : OSD BLK 3.5VP-P ~ 5.0VP-P(positive)

RGB 2.2VP-P (Max)
OSD 2.0VP-P (Max)
- 4.Contrast : Output dynamic range 0.5 ~ 3.0V
It can drive 14pF
- 5.Brightness : Both of sub and main contrast are controlled by IIC Bus(8bit).
Control Range :-15dB ~ +15dB.
- 6.OSD Adjust :
Both of sub and main contrast are controlled by IIC Bus(8bit).
Control Range :0.5V ~ 3.0V.

2 Control Ranges (Max1VP-P or Max2VP-P) are able to be changed by IIC Bus.

PIN CONFIGURATION



RECOMMENDED OPERATING CONDITIONS

Supply Voltage Range 4.7V ~ 5.3V
Rated Supply Voltage 5.0V
Consumption of electricity 800mW

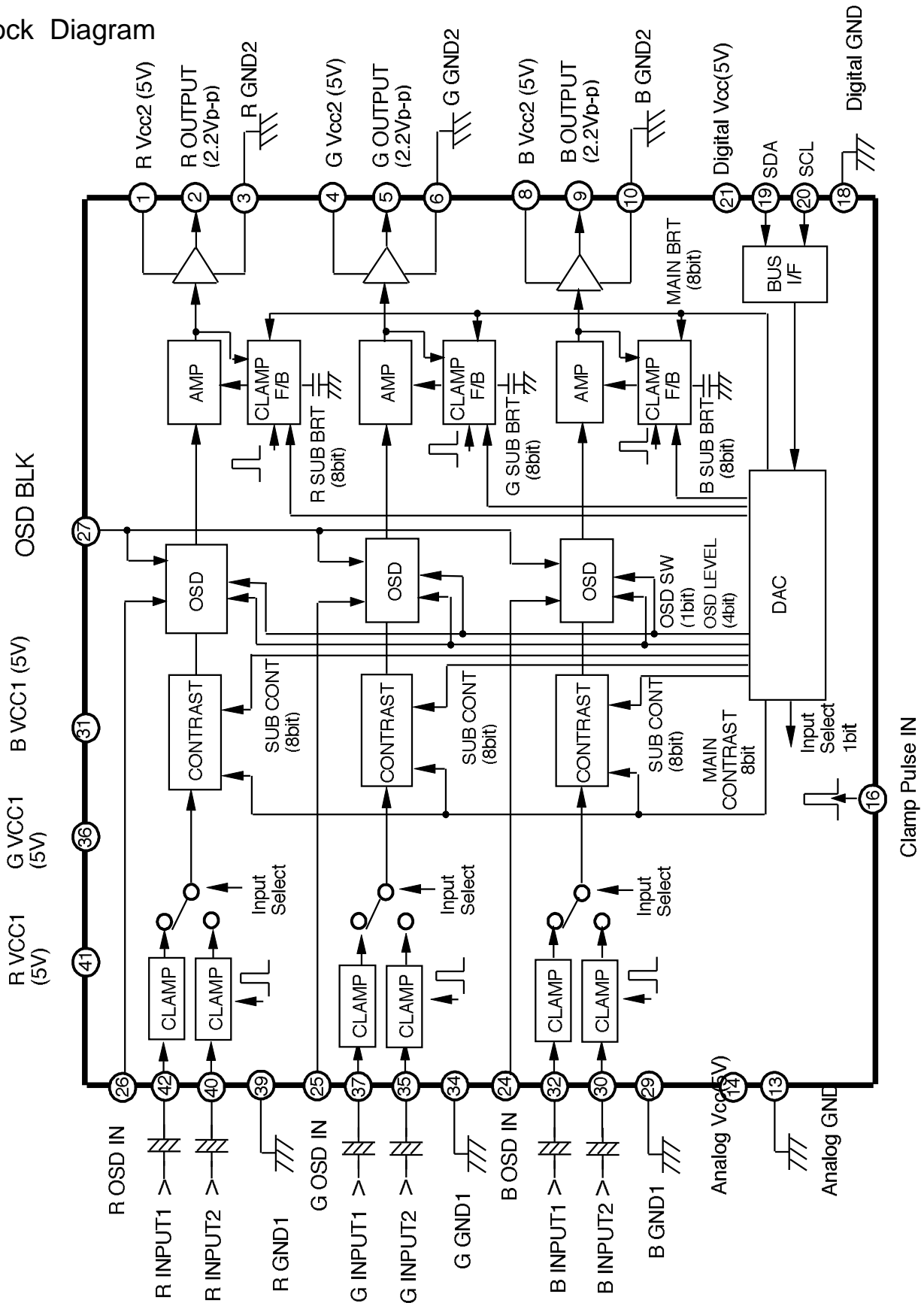
TENTATIVE

MITSUBISHI<LINEAR IC>

M52739FP

IIC BUS controled 3channel video pre-amplifier for LCD display monitor.

Block Diagram



TENTATIVE

MITSUBISHI<LINEAR IC>

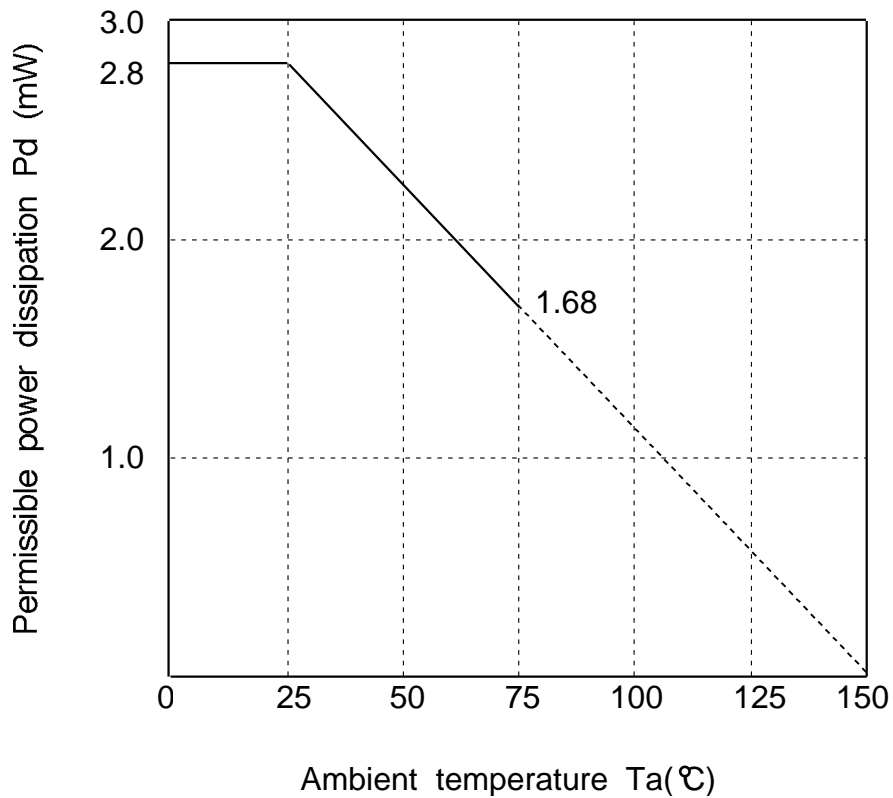
M52739FP

IIC BUS controled 3channel video pre-amplifier for LCD display monitor.

Absolute Maximum Rating (Ambient temperature: 25 °C)

Parameter	Symbol	Rating	Unit
Supply voltage	Vcc	6.0	V
Power dissipation	Pd	1700	mW
Ambient temperature	Topr	-20 ~ +75	°C
Storage temperature	Tstg	-40 ~ +150	°C
Recommended supply	Vopr	5.0	V
voltage range	Vopr'	4.7 ~ 5.3	V

Thermal Derating Curve



TENTATIVE

MITSUBISHI<LINEAR IC>

M52739FP

IIC BUS controled 3channel video pre-amplifier for LCD display monitor.

BUS CONTROL TABLE

(1) Slave address:

	D7	D6	D5	D4	D3	D2	D1	R/W	
M52739FP	1	0	0	0	1	0	0	0	=88H

(2) Each function's sub address:

NO	function	bit	sub add.	Data Byte							
				D7	D6	D5	D4	D3	D2	D1	D0
1	Main contrast	8	00H	A07	A06	A05	A04	A03	A02	A01	A00
				0	1	0	0	0	0	0	0
2	Sub contrast R	8	01H	A17	A16	A15	A14	A13	A12	A11	A10
				1	0	0	0	0	0	0	0
3	Sub contrast G	8	02H	A27	A26	A25	A24	A23	A22	A21	A20
				1	0	0	0	0	0	0	0
4	Sub contrast B	8	03H	A37	A36	A35	A34	A33	A32	A31	A30
				1	0	0	0	0	0	0	0
5	Main bright	8	04H	A47	A46	A45	A44	A43	A42	A41	A40
				1	0	0	0	0	0	0	0
6	Sub bright R	8	05H	A57	A56	A55	A54	A53	A52	A51	A50
				1	0	0	0	0	0	0	0
7	Sub bright G	8	06H	A67	A66	A65	A64	A63	A62	A61	A60
				1	0	0	0	0	0	0	0
8	Sub bright B	8	07H	A77	A76	A75	A74	A73	A72	A71	A70
				1	0	0	0	0	0	0	0
9	OSD level	4	08H	-	-	-	-	A83	A82	A81	A80
				0	0	0	0	0	0	0	0
10	INPUT SW	1	09H	-	-	-	-	-	-	-	A90
				0	0	0	0	0	0	0	0
11	OSD SW	1	0AH	-	-	-	-	-	-	-	AA0
				0	0	0	0	0	0	0	0

TENTATIVE

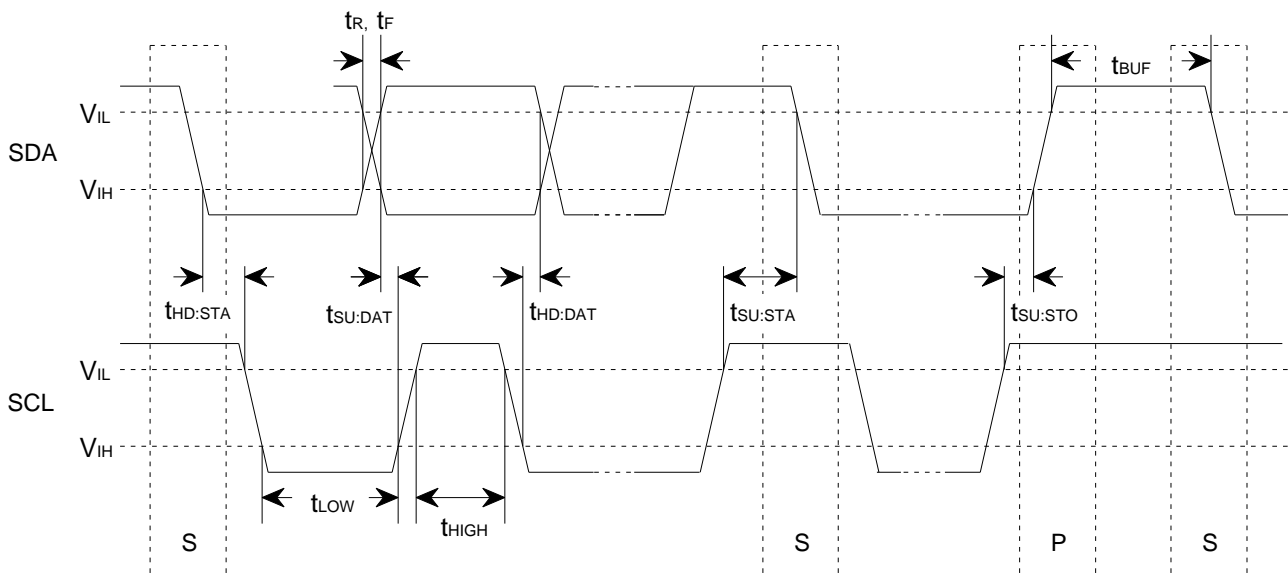
MITSUBISHI<LINEAR IC>
M52739FP

IIC BUS controled 3channel video pre-amplifier for LCD display monitor.

I²C BUS CONTROL SECTION

SDA,SCL CHARACTERISTICS

parameter	symbol	MIN	MAX	unit
min. input LOW voltage.	V _{IL}	-0.5	1.5	V
max. input HIGH voltage.	V _{IH}	3.0	5.5	V
SCL clock frequency.	f _{SCL}	0	100	KHz
Time the bus must be free before a new transmission can start.	t _{BUF}	4.7	-	us
Hold time start condition.After this period the first clock pulse is generated.	t _{HD:STA}	4.0	-	us
The LOW period of the clock.	t _{LOW}	4.7	-	us
The HIGH period of the clock.	t _{HIGH}	4.0	-	us
Set up time for start condition. (Only relevant for a repeated start condition.)	t _{SU:STA}	4.7	-	us
Hold time DATA.	t _{HD:DAT}	0	-	us
Set-up time DATA.	t _{SU:DAT}	250	-	ns
Rise time of both SDA and SCL lines.	t _R	-	1000	ns
Fall time of both SDA and SCL lines.	t _F	-	300	ns
Set-up time for stop condition.	t _{SU:STO}	4.0	-	us



TENTATIVE

M52739FP

IIC BUS controlled 3channel video pre-amplifier for LCD display monitor.

If SW connect is not designated RGB Input SW :

SW(30,35,40)=a(b) SW(32,37,42)=b (a),SW(2,5,9,16,19,20,23,24,25,26,27)= a

Vcc=5V Ta=25°C

No	parameter	Symbol	Test Point	RGB Input Signal	SW Connect Supply Voltage	BUS CTL (H)											Standard			Unit
						00H Main cont	01H Sub cont 1	02H Sub cont 2	03H Sub cont 3	04H Main brt	05H Sub brt1	06H Sub brt2	07H Sub brt3	08H OSD Adj	09H INPUT SW	0AH OSD SW	MIN	TYP	MAX	
1	Circuit current1	Icc1	IA	—	RGBInput SW =a(ALL)	A6H 166	A6H 166	A6H 166	A6H 166	00H 0	00H 0	00H 0	00H 0	00H 0	—	—	—	100	130	mA
2	Output dynamic range	Vomax	OUT	SG2	—	↓	↓	↓	↓	Variable	Variable	Variable	Variable				2.2	—	—	Vp-p
3	Maximum input1	Vimax1	IN OUT	SG2 Amplitude Variable	↓	7FH 127	7FH 127	7FH 127	7FH 127	40H 64	7FH 127	7FH 127	7FH 127				1.0	—	—	Vp-p
4	Maximum input2	Vimax2	IN OUT	SG2 Amplitude Variable	SW(30,35,40)=b SW(32,37,42)=a	↓	↓	↓	↓								1.0	—	—	Vp-p
5	Maximum gain	Gv	OUT	SG1	—	FFH 255	FFH 255	FFH 255	FFH 255								12.0	15.0	18.0	dB
6	Relative maximum gain	Gv	—	—	—	—	—	—	—								0.8	1.0	1.2	—
7	Main contrast control characteristics 1	VC1	OUT	SG1	—	C8H 200	7FH 127	7FH 127	7FH 127								7.1	8.6	10.1	dB
8	Main contrast control characteristics 2	VC2	OUT	SG1	—	64H 100											2.7	4.2	5.7	dB
9	Main contrast control characteristics 3	VC3	OUT	SG1	—	14H 20	↓	↓	↓								0.2	0.4	0.6	Vp-p
10	Sub contrast control characteristics 1	VSC1	OUT	SG1	—	7FH 127	C8H 200	C8H 200	C8H 200								7.1	8.6	10.1	dB
11	Sub contrast control characteristics 2	VSC2	OUT	SG1	—		64H 100	64H 100	64H 100								2.7	4.2	5.7	dB
12	Sub contrast control characteristics 3	VSC3	OUT	SG1	—		14H 20	14H 20	14H 20								0.2	0.4	0.6	Vp-p
13	Main/sub contrast control characteristics	VMSC	OUT	SG1	—	A6H 166	A6H 166	A6H 166	A6H 166	↓							1.7	2.0	2.3	Vp-p
14	Main brightness control characteristics 1	VB1	OUT	—	RGBInput SW =a(ALL)	A6H 166	A6H 166	A6H 166	A6H 166	FFH 255							2.2	2.5	2.8	V
15	Main brightness control characteristics 2	VB2	OUT	—	—					7FH 127							1.3	1.5	1.7	V
16	Main brightness control characteristics 3	VB3	OUT	—	—					00H 0	↓	↓	↓				0.3	0.5	0.7	V
17	Sub brightness control characteristics 1	VSB1	OUT	—	—					7FH 127	FFH 255	FFH 255	FFH 255				1.8	2.0	2.2	V
18	Sub brightness control characteristics 2	VSB2	OUT	—	—					7FH 127	7FH 127	7FH 127					1.3	1.5	1.7	V
19	Sub brightness control characteristics 3	VSB3	OUT	—	—					Variable	00H 0	00H 0	00H 0	↓	↓	↓	0.8	1.0	1.2	V
20	Frequency characteristics 1 (50MHz-2Vpp)	FC1	OUT	SG3	—	A6H 166				40H 64	7FH 127	7FH 127	7FH 127	00H 0	—	—	-3.0	0	3.0	dB
21	Frequency relative characteristics 1 (180MHz-2Vpp)	FC1	—	—	—												-1.0	0	1.0	dB
22	Frequency characteristics 2 (50MHz-2Vpp)	FC2	OUT	SG3	—												-3.0	3.0	5.0	dB
23	Frequency relative characteristics 2 (50MHz-2Vpp)	FC2	—	—	—												-1.0	0	1.0	dB
24	Frequency characteristics 3 (180MHz-1Vpp)	FC3	OUT	SG3	—	37H 55											-1.0	0	1.0	dB
25	Frequency relative characteristics 3 (180MHz-1Vpp)	FC3	—	—	—												-1.0	0	1.0	dB
26	Frequency characteristics 4 (180MHz-2Vpp)	FC4	OUT	SG3	SW(2,5,9)=b	A6H 166											-3.0	3.0	5.0	dB
27	Frequency relative characteristics 4 (180MHz-2Vpp)	FC4	—	—	—												-1.0	0	1.0	dB
28	Crosstalk 1 input1 - 2 50MHz-1	INCT1	OUT(2) OUT(5) OUT(9)	SG3	SW(42)=b,Other SW=a SW(37)=b,Other SW=a SW(32)=b,Other SW=a										00H 0		—	-50	-40	dB
29	Crosstalk 1' input1 - 2 50MHz-1	INCT1'	OUT(2) OUT(5) OUT(9)	SG3	↓										↓		—	-30	-20	dB
30	Crosstalk 2 input1 - 2 50MHz-2	INCT2	OUT(2) OUT(5) OUT(9)	SG3	SW(40)=b,Other SW=a SW(35)=b,Other SW=a SW(30)=b,Other SW=a										01H 1		—	-50	-40	dB
31	Crosstalk 2' input1 - 2 50MHz-2	INCT2'	OUT(2) OUT(5) OUT(9)	SG3	↓										↓		—	-30	-20	dB

TENTATIVE

M52739FP

IIC BUS controlled 3channel video pre-amplifier for LCD display monitor.

If SW connect is not designated RGB Input SW :

SW(30,35,40)=a(b) SW(32,37,42)=b (a),SW(2,5,9,16,19,20,23,24,25,26,27)= a

Vcc=5V Ta=25°C

No	parameter	Symbol	Test Point	RGB Input Signal	SW Connect Supply Voltage	BUS CTL (H)											Standard			Unit	
						00H Main cont	01H Sub cont 1	02H Sub cont 2	03H Sub cont 3	04H Main brt	05H Sub brt1	06H Sub brt2	07H Sub brt3	08H OSD Adj	09H INPUT SW	0AH OSD SW	MIN	TYP	MAX		
32	Crosstalk 1 between RGB ch 50MHz-1	CHCT1	OUT	SG3	SW(42)=b,OtherSW=a	A6H 166	A6H 166	A6H 166	A6H 166	40H 64	7FH 127	7FH 127	7FH 127	00H 0	—	—	—	-25	-20	dB	
33	Crosstalk 1' between RGB ch 180MHz-1	CHCT1'	OUT	SG3	↓													—	-15	-10	dB
34	Crosstalk 2 between RGB ch 50MHz-2	CHCT2	OUT	SG3	SW(37)=b,OtherSW=a													—	-25	-20	dB
35	Crosstalk 2' between RGB ch 180MHz-2	CHCT2'	OUT	SG3	↓													—	-15	-10	dB
36	Crosstalk 3 between RGB ch 50MHz-3	CHCT3	OUT	SG3	SW(32)=b,OtherSW=a													—	-25	-20	dB
37	Crosstalk 3' between RGB ch 50MHz-3	CHCT3'	OUT	SG3	↓													—	-15	-10	dB
38	Pulse characteristics Tr1	Tr1	OUT	SG1	—													—	1.7	—	nS
39	Relative pulse characteristics Tr1	Tr1	—	—	↓													-0.8	0.0	-0.8	nS
40	Pulse characteristics Tr2	Tr2	OUT	SG1														—	1.7	—	nS
41	Relative pulse characteristics Tr2	Tr2	—	—	↓													-0.8	0.0	-0.8	nS
42	Clamp pulse threshold voltage	VthCP	OUT	SG1														1.5	2.0	2.5	V
43	Clamp pulse minimum width	WCP	OUT	SG1														0.2	0.5	—	uS
44	OSD input threshold voltage	PDCH	OUT	SG1														—	0.0	—	V
45	OSD BLK input threshold voltage	PDCL	OUT	SG1	↓													—	0.0	—	V
46	OSD Pulse characteristics Tr	OTr1	OUT	—	SW(24,25,26,27)=b	00H 0	00H 0	00H 0	00H 0	40H 64	7FH 127	7FH 127	7FH 127	0FH 15		00H 0	—	3.0	6.0	ns	
47	OSD Pulse characteristics Tf	OTf2	—	—		↓	↓	↓	↓									—	3.0	6.0	ns
48	OSD adjust control characteristics 1	Oaj1	OUT	—	↓	A6H 166	A6H 166	A6H 166	A6H 166					↓		↓	1.7	2.0	2.3	Vp-p	
49	OSD adjust control relative characteristics 1	Oaj1	—	—										—		—	0.8	1.0	1.2	—	
50	OSD adjust control characteristics 2	Oaj2	OUT	—	↓									01H 1		00H 0	0.7	1.0	1.3	Vp-p	
51	OSD adjust control relative characteristics 2	Oaj2	—	—	↓									—		—	0.8	1.0	1.2	—	
52	OSD adjust control characteristics 3	Oaj3	OUT	—	SW(24,25,26,27)=b									0FH 15		01H 1	0.7	1.0	1.3	Vp-p	
53	OSD adjust control relative characteristics 3	Oaj3	—	—										—		—	0.8	1.0	1.2	—	
54	OSD adjust control characteristics 4	Oaj4	OUT	—	↓									01H 1		01H 1	0.3	0.5	0.7	Vp-p	
55	OSD adjust control relative characteristics 4	Oaj4	—	—	↓									—		—	0.8	1.0	1.2	—	
56	OSD BLK characteristics	OBLK	OUT	—	↓									00H 0			0.0	0.0	0.2	Vp-p	
57	OSD BLK relative characteristics	OBLK	—	—	↓									—		—	-0.15	0.0	0.15	—	
58	OSD input threshold voltage	VthOSD	OUT	—	↓												2.0	2.5	3.0	V	
59	OSD BLK input threshold voltage	VthBLK	OUT	SG1	SW(27)=b	↓	↓	↓	↓	↓	↓	↓	↓	↓	↓	↓	2.0	2.5	3.0	V	

If SW connect is not designated RGB Input SW :

SW(30,35,40)=a(b) SW(32,37,42)=b (a),SW(2,5,9,16,19,20,23,24,25,26,27)= a

Vcc=5V Ta=25°C

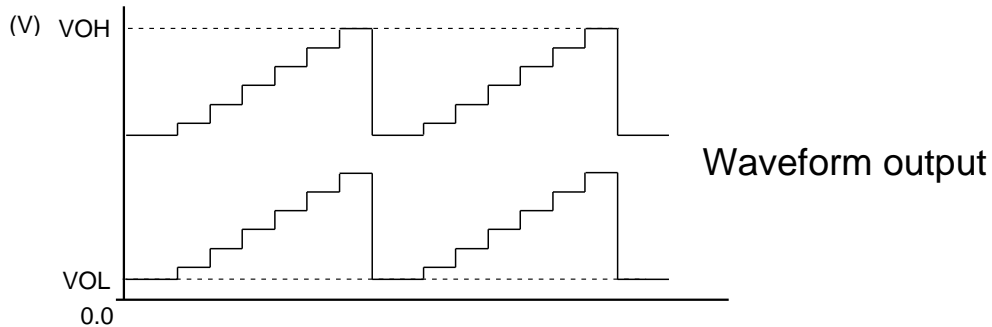
No	parameter	Symbol	Test Point	RGB Input Signal	SW Connect Supply Voltage	BUS CTL (H)										Standard			Unit			
						00H Main cont	01H Sub cont 1	02H Sub cont 2	03H Sub cont 3	04H Main brt	05H Sub brt1	06H Sub brt2	07H Sub brt3	08H OSD Adj	09H INPUT SW	0AH OSD SW	MIN	TYP		MAX		
60	Pin16 Input Current H	I16H	I16	—	SW(16)=b V16=5V	—	—	—	—	—	—	—	—	—	—	—	—	—	-0.7	—	uA	
61	Pin16 Input Current L	I16L	I16	—	SW(16)=b V16=0V	—	—	—	—	—	—	—	—	—	—	—	—	—	0.7	—	mA	
62	Pin19 Input Current H	I19H	I19	—	SW(19)=b V19=5V	—	—	—	—	—	—	—	—	—	—	—	—	—	0	—	nA	
63	Pin19 Input Current L	I19L	I19	—	SW(19)=b V19=0V	—	—	—	—	—	—	—	—	—	—	—	—	—	40	—	uA	
64	Pin20 Input Current H	I20H	I20	—	SW(20)=b V20=5V	—	—	—	—	—	—	—	—	—	—	—	—	—	0	—	nA	
65	Pin20 Input Current L	I20L	I20	—	SW(20)=b V20=0V	—	—	—	—	—	—	—	—	—	—	—	—	—	0.7	—	uA	
66	Pin24 25 26 Input Current H	I0SDH	I24 I25 I26	—	SW(24,25,26)=b V0SD=5V	—	—	—	—	—	—	—	—	—	—	—	—	—	-1.3	—	mA	
67	Pin24 25 26 Input Current L	I0SDL	I24 I25 I26	—	SW(24,25,26)=b V0SD=0V	—	—	—	—	—	—	—	—	—	—	—	—	—	1.5	—	mA	
68	Pin27 Input Current H	I27H	I27	—	SW(27)=b V27=5V	—	—	—	—	—	—	—	—	—	—	—	—	—	-1.3	—	mA	
69	Pin27 Input Current L	I27L	I27	—	SW(27)=b V27=0V	—	—	—	—	—	—	—	—	—	—	—	—	—	1.5	—	mA	

TENTATIVE

MITSUBISHI<LINEAR IC> M52739FP

IIC BUS controled 3channel video pre-amplifier for LCD display monitor.

- 1) Measuring conditions are as listed in supplementary Table.
Measured with a current meter at test point IA.
- 2) Decrease Main Brt or Sub Brt gradually, and measure the voltage when the bottom of waveform output is distorted. The voltage is called VOL.
Next, increase V30 gradually, and measure the voltage when the top of waveform output is distorted. The voltage is called VOH. Voltagr Vomax is calculated by the equation below:
 $V_{omax} = VOH - VOL$



- 3) Increase the input signal(SG2) at Input1 amplitude gradually, starting from 700mVp-p. Measure the amplitude of the input signal when the output signal starts becoming distorted.
- 4) Increase the input signal(SG2) at Input2 amplitude gradually, starting from 700mVp-p. Measure the amplitude of the input signal when the output signal starts becoming distorted.
- 5) Input SG1, and read the amplitude output at OUT(2,5,9). The amplitude is called VOUT(2,5,9). Maximum gain GV is calculated by the equation below:

$$\Delta GV = 20 \text{ LOG } \frac{V_{OUT}}{0.7} \quad (\text{dB})$$

- 6) Relative maximum gain ΔV is calculated by the equation below:

$$\Delta GV = V_{OUT}(2) / V_{OUT}(5), V_{OUT}(5) / V_{OUT}(9), V_{OUT}(9) / V_{OUT}(2)$$

- 7) Measuring the amplitude output at OUT(2,5,9). The measured value is called VOUT(2,5,9).

$$VC1 = 20 \text{ LOG } \frac{V_{OUT}}{0.7} \quad (\text{dB})$$

- 8) Measuring condition and procedure are the same as described in Note7.
- 9) Measuring condition and procedure are the same as described in Note7.
- 10) Measuring condition and procedure are the same as described in Note7.
- 11) Measuring condition and procedure are the same as described in Note7.
- 12) Measuring condition and procedure are the same as described in Note7.
- 13) Measuring condition and procedure are the same as described in Note7.

TENTATIVE

MITSUBISHI<LINEAR IC>

M52739FP

IIC BUS controled 3channel video pre-amplifier for LCD display monitor.

- 14) Measure the DC voltage output at OUT(2,5,9). The measured value is called VB1.
- 15) Measuring condition and procedure are the same as described in Note14.
- 16) Measuring condition and procedure are the same as described in Note14.
- 17) Measuring condition and procedure are the same as described in Note14.
- 18) Measuring condition and procedure are the same as described in Note14.
- 19) Measuring condition and procedure are the same as described in Note14.
- 20) First, SG3 to 1MHz is as input signal.
Control the main contrast in order that the amplitude of sine wave output is 2.0Vp-p. Control the brightness in order that the bottom of sine wave output is 1.0V. By the same way, measure the output amplitude when SG3 to 50MHz is as input signal. The measured value is called VOUT(2,5,9).
Frequency characteristics FC1(2,5,9) is calculated by the equation below:

$$FC1=20 \text{ LOG } \frac{V_{\text{OUT}} \text{ Vp-p}}{\text{output amplitude when inputted SG3(1MHz) : 4.0Vp-p}} \quad (\text{dB})$$

- 21) Relative characteristics FC1 is calculated by the difference in the output between the channels.
- 22) Measuring condition and procedure are the same as described in Note33, expect SG3 to
- 23) Relative characteristics FC2 is calculated by the difference in the output between the channels.
- 24) SG3 to 1MHz is as input signal. Control the main contrast in order that the amplitude of sine wave output is 1.0Vp-p. By the same way, measure the output amplitude when SG3 to 180MHz is as input signal.
- 25) Relative characteristics FC3 is calculated by the difference in the output between the channels.
- 26) Change OUT SW from a to b. Measuring condition and procedure are the same as described in Note33
- 27) Relative characteristics FC4 is calculated by the difference in the output between the channels.

- 28) Input SG3 (50MHz) to pin42 only, set Input SW of IIC BUS to 0 and then measure the waveform amplitude output at OUT(2).The measured value is called VOUT(2).On equal terms set Input SW of IIC BUS to 1.And then measure the waveform amplitude output at OUT(2)'.Crosstalk INCT1 is calculated by the equation below:

$$\text{INCT1} = 20 \text{ LOG } \frac{\text{VOUT(2)'}}{\text{VOUT(2)}} \quad (\text{dB})$$

Similarly measure the waveform amplitude output at OUT(5) when signal input only Pin37 and OUT(9)when signal input only Pin32 and calculate crosstalk

- 29) Measuring condition and procedure are the same as described in Note28,expect SG3 to 180MHz.
- 30) Input SG3 (50MHz) to pin40 only, set Input SW of IIC BUS to 1 and then measure the waveform amplitude output at OUT(2).The measured value is called VOUT(2).On equal terms set Input SW of IIC BUS to 0.And then measure the waveform amplitude output at OUT(2)'.Crosstalk INCT2 is calculated by the equation below:

$$\text{INCT2} = 20 \text{ LOG } \frac{\text{VOUT(2)'}}{\text{VOUT(2)}} \quad (\text{dB})$$

Similarly measure the waveform amplitude output at OUT(5) when signal input only Pin35 and OUT(9)when signal input only Pin30 and calculate crosstalk.

- 31) Measuring condition and procedure are the same as described in Note30,expect SG3 to 180MHz.
- 32) Input SG3 (50MHz) to pin42 only, and then measure the waveform amplitude output at OUT(2,5,9).The measured value is called VOUT(2,5,9).Crosstalk CHCT1 is calculated by the equation below:

$$\text{CHCT1} = 20 \text{ LOG } \frac{\text{VOUT(5,9)}}{\text{VOUT(2)}} \quad (\text{dB})$$

- 33) Measuring condition and procedure are the same as described in Note32,expect SG3 to 180MHz.
- 34) Input SG3 (50MHz) to pin37 only, and then measure the waveform amplitude output at OUT(2,5,9).The measured value is called VOUT(2,5,9).Crosstalk CHCT2 is calculated by the equation below:

$$\text{CHCT2} = 20 \text{ LOG } \frac{\text{VOUT(2,9)}}{\text{VOUT(5)}} \quad (\text{dB})$$

- 35) Measuring condition and procedure are the same as described in Note34,expect SG3 to 180MHz.
- 36) Input SG3 (50MHz) to pin32 only, and then measure the waveform amplitude output at OUT(2,5,9).The measured value is called VOUT(2,5,9).Crosstalk CHCT3 is calculated by the equation below:

$$\text{CHCT3} = 20 \text{ LOG } \frac{\text{VOUT(2,5)}}{\text{VOUT(9)}} \quad (\text{dB})$$

- 37) Measuring condition and procedure are the same as described in Note36,expect SG3 to 180MHz.

- 38) Control the contrast in order that the amplitude of output signal is 2.0Vp-p.
Control the brightness in order that the Black level of output signal is 1.0V.
Measure the time needed for the input pulse to rise from 10 % to 90 % (Tr1) and for the output pulse to rise from 10 % to 90 % (Tr2) with an active prove.
Pulse characteristics TR is calculated by the equations below :

$$TR = \sqrt{(Tr2)^2 - (Tr1)^2} \text{ (nsec)}$$

- 39) Relative Pulse characteristics1 ΔTr is calculated by the equation below:

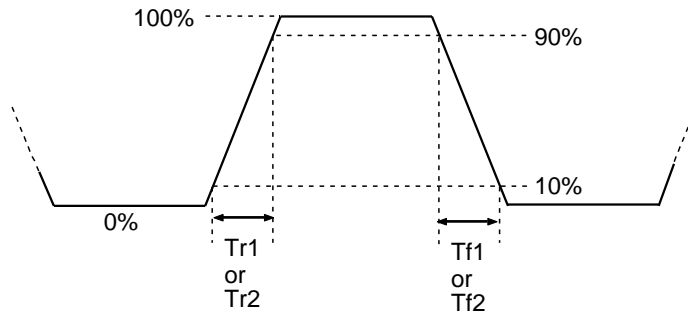
$$\Delta Tr = VOUT(2) - VOUT(5) \cdot VOUT(5) - VOUT(9) \cdot VOUT(9) - VOUT(2)$$

- 40) Measure the time needed for the input pulse to fall from 90 % to 10 % (Tf1) and for the output pulse to fall from 90 % to 10 % (Tf2) with an active prove.
Pulse characteristics TF is calculated by the equations below :

$$TF = \sqrt{(Tf2)^2 - (Tf1)^2} \text{ (nsec)}$$

- 41) Relative Pulse characteristics2 ΔTf is calculated by the equation below:

$$\Delta Tf = VOUT(2) - VOUT(5) \cdot VOUT(5) - VOUT(9) \cdot VOUT(9) - VOUT(2)$$



- 42) Turn down the SG4 input level gradually from 5.0Vp-p, monitoring the waveform output. Measure the top level of input pulse when the output pedestal voltage turn decrease with unstable.
- 43) Decrease the SG4 pulse width gradually from 0.5us, monitoring the output. Measure the SG4 pulse width (a point of 1.5V) when the output pedestal voltage turn decrease with unstable.
- 44) Measure the pedestal voltage at 25 C°. The measured value is called PDC1.
Measure the pedestal voltage at temperature of - 20 C°. The measured value is called PDC2. Pedestal voltage temperature characteristics 1 is calculated by the equation below:
- 45) Measure the pedestal voltage at temperature of 75 C°. The measured value is called PDC3. Pedestal voltage temperature characteristics 2 is calculated by the equation below:

TENTATIVE

MITSUBISHI<LINEAR IC> M52739FP

IIC BUS controled 3channel video pre-amplifier for LCD display monitor.

- 46) Measure the time needed for the output pulse to rise from 10% to 90% (OTR) with an active prove.
- 47) Measure the time needed for the output pulse to fall from 90% to 10% (OTF) with an active prove.
- 48) Measure the amplitude output at OUT(2,5,9). The measured value is called VOUT(2,5,9), and is treated as Oai1.
- 49) Relative characteristics ΔO_{ai1} is calculated by the equation below:

$$\Delta O_{ai1} = VOUT(2) / VOUT(5), VOUT(5) / VOUT(9), VOUT(9) / VOUT(2)$$

- 50) Measuring condition and procedure are the same as described in Note48.
- 51) Measuring condition and procedure are the same as described in Note49.
- 52) Measuring condition and procedure are the same as described in Note48.
- 53) Measuring condition and procedure are the same as described in Note49.
- 54) Measuring condition and procedure are the same as described in Note48.
- 55) Measuring condition and procedure are the same as described in Note49.
- 56) Measuring the amplitude output at OUT(2,5,9). The measured value is called OBLK.
- 57) Relative OSD BLK characteristics ΔO_{BLK} is calculated by the equation below:

$$\Delta O_{BLK} = VOUT(2) / VOUT(5), VOUT(5) / VOUT(9), VOUT(9) / VOUT(2)$$

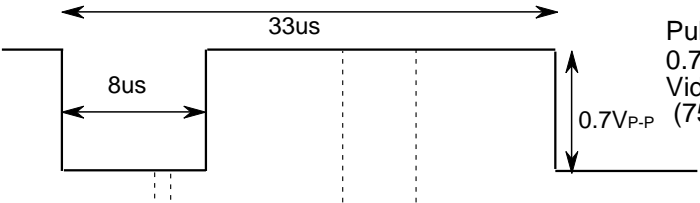
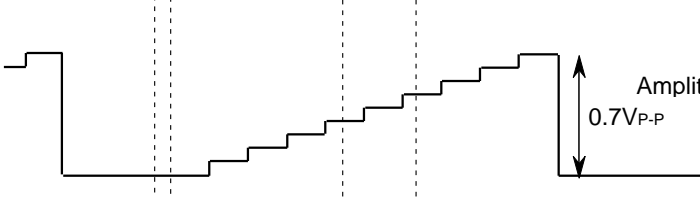
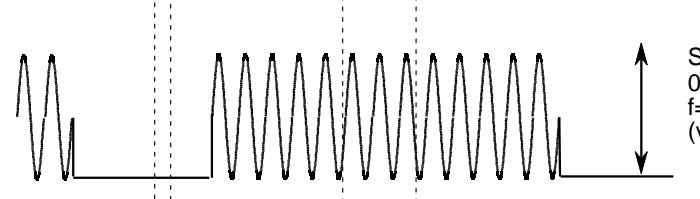

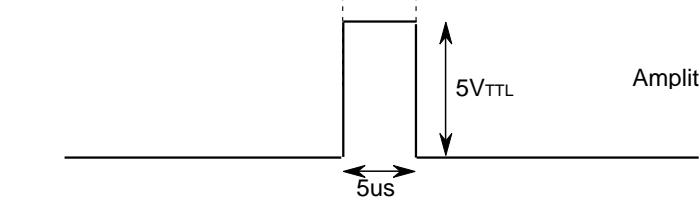
- 58) Reduce the SG5 input level gradually, monitoring output. Measure the SG5 level when the output reaches 0V. The measured value is called VthOSD.
- 59) Confirm that output signal is being blanked by the SG5 at the time. Monitoring to output signal, decreasing the level of SG5. Measure the top level of SG6 when the blanking period is disappeared. The measured value is called VthBLK.
- 60) Supply 5V to V16, and then measure input current into Pin16
- 61) Supply 0V to V16, and then measure input current into Pin16
- 62) Supply 5V to V19, and then measure input current into Pin19
- 63) Supply 0V to V19, and then measure input current into Pin19
- 64) Supply 5V to V20, and then measure input current into Pin20
- 65) Supply 0V to V20, and then measure input current into Pin20
- 66) Supply 5V to V(24,25,26) and then measure input current into Pin(24,25,26)
- 67) Supply 0V to V(24,25,26) and then measure input current into Pin(24,25,26)
- 68) Supply 5V to V27, and then measure input current into Pin27
- 69) Supply 0V to V27, and then measure input current into Pin27

TENTATIVE

MITSUBISHI<LINEAR IC>

M52739FP

IIC BUS controled 3channel video pre-amplifier for LCD display monitor.

SG No.	INPUT SIGNAL
<p>SG1 Video signal (all white)</p>	 <p>Pulse with amplitude of 0.7Vp-p (f=30KHz). Video width of 25us. (75%)</p>
<p>SG2 Video signal (step wave)</p>	 <p>Amplitude is partially variable 0.7Vp-p</p>
<p>SG3 Sine wave (for freq. char.)</p>	 <p>Sine wave amplitude of 0.7Vp-p. f=1MHz,50MHz,150MHz (variable)</p>
<p>SG4 Clamp pulse</p>	 <p>0.5us 5VTTL Pulse width and amplitude are variable.</p>
<p>SG5 OSD pulse</p>	 <p>5VTTL 5us Amplitude is partially variable</p>

f_H=30KHz

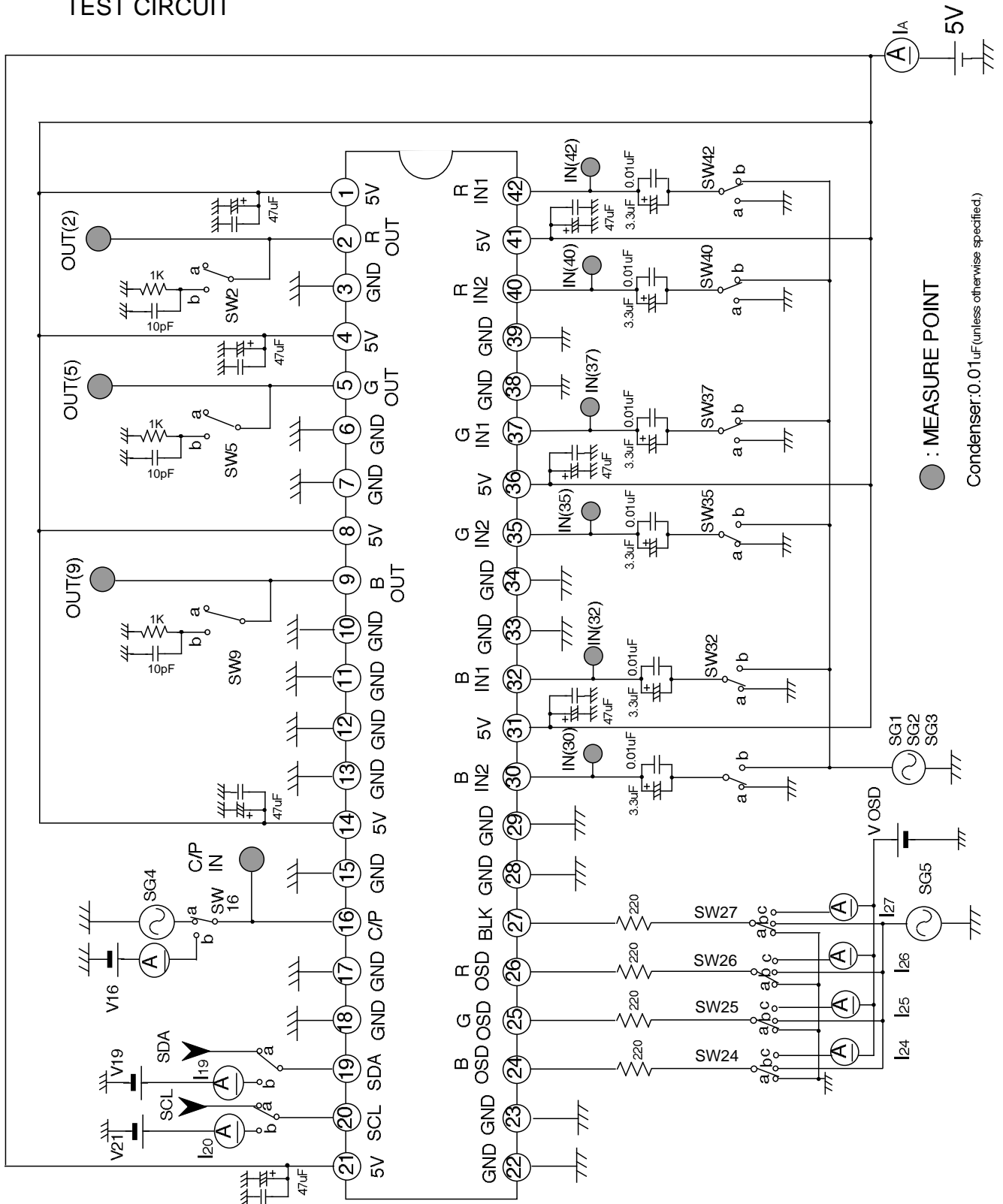
TENTATIVE

MITSUBISHI<LINEAR IC>

M52739FP

IIC BUS controled 3channel video pre-amplifier for LCD display monitor.

TEST CIRCUIT



TENTATIVE

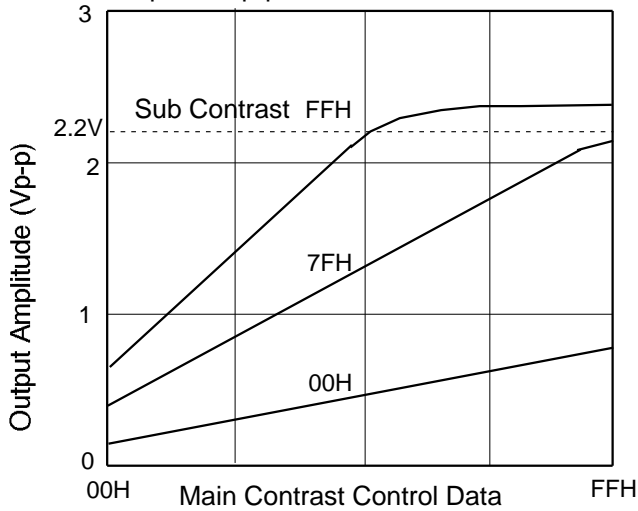
MITSUBISHI<LINEAR IC>

M52739FP

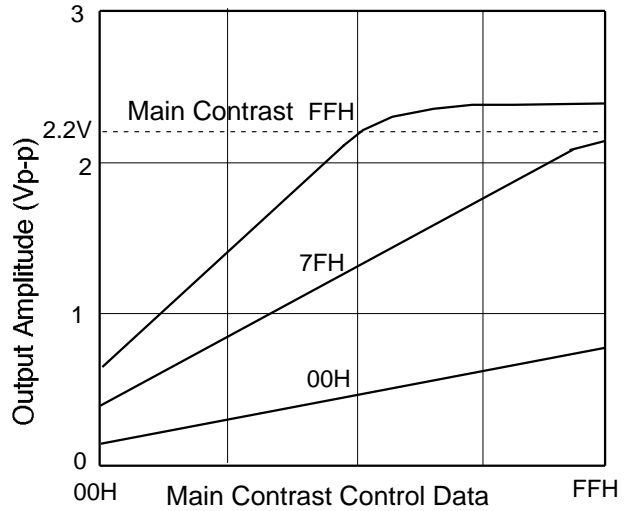
IIC BUS controled 3channel video pre-amplifier for LCD display monitor.

Electrical Characteristics

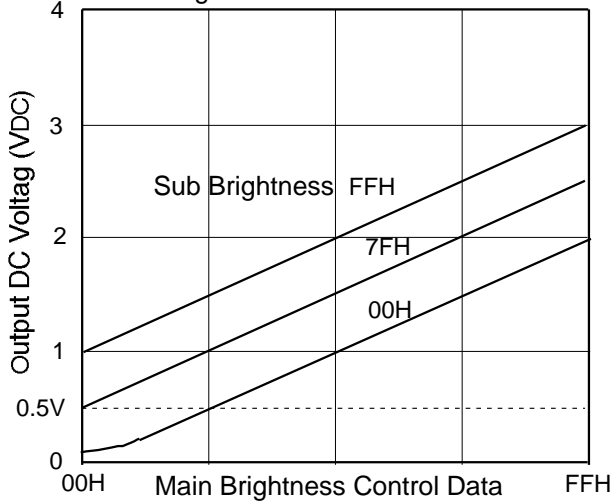
Main Contrast Control Characteristics
Input 0.7Vp-p



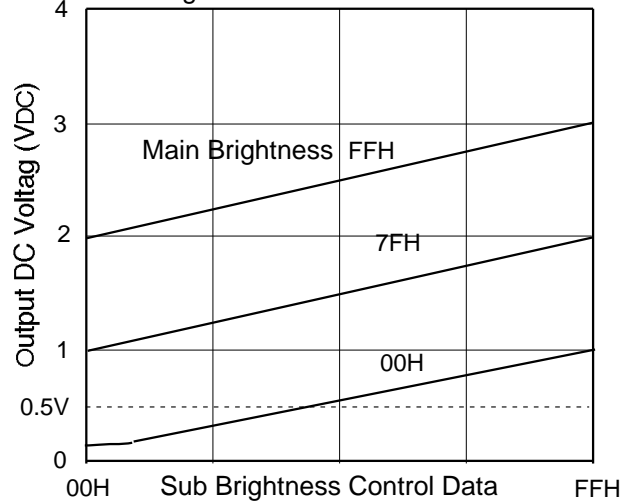
Sub Contrast Control Characteristics
Input 0.7Vp-p



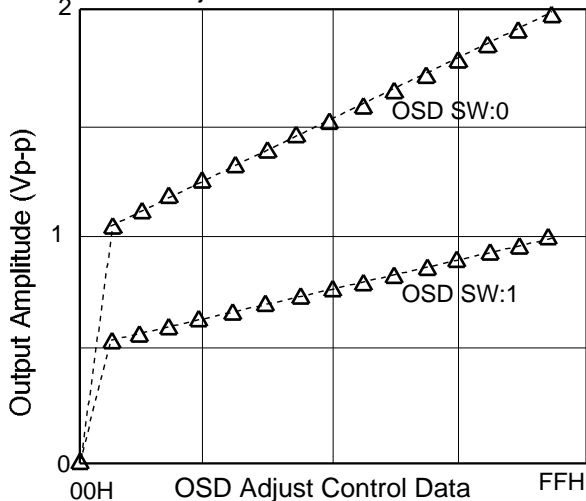
Main Brightness Control Characteristics



Sub Brightness Control Characteristics



OSD Adjust Control Characteristics



TENTATIVE

mitsubishi<LINEAR IC>

M52739FP

IIC BUS controled 3channel video pre-amplifier for LCD display monitor.

Application Method

CLAMP PULSE INPUT

Clamp pulse width is recommended

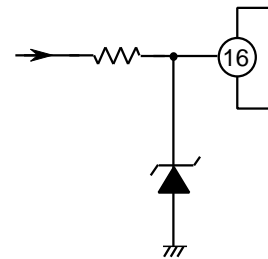
above 15 KHz, 1.0 usec

above 30 KHz, 0.5 usec

above 64 KHz, 0.3 usec

The clamp pulse circuit in ordinary set is a long round about way, and beside high voltage, sometimes connected to external terminal, it is very easy affected by large surge.

Therefore, the Fig. shown right is recommended.



Notice of application

- 1.Recommended pedestal voltage of IC output signal is 1V.
- 2.This IC has 2 Input routes. When the 2 Input signal input at different timing,clamp pulses which synchronize with selected signals is needed. In this case,it is necessary to change clamp pulses by the outside circuit.

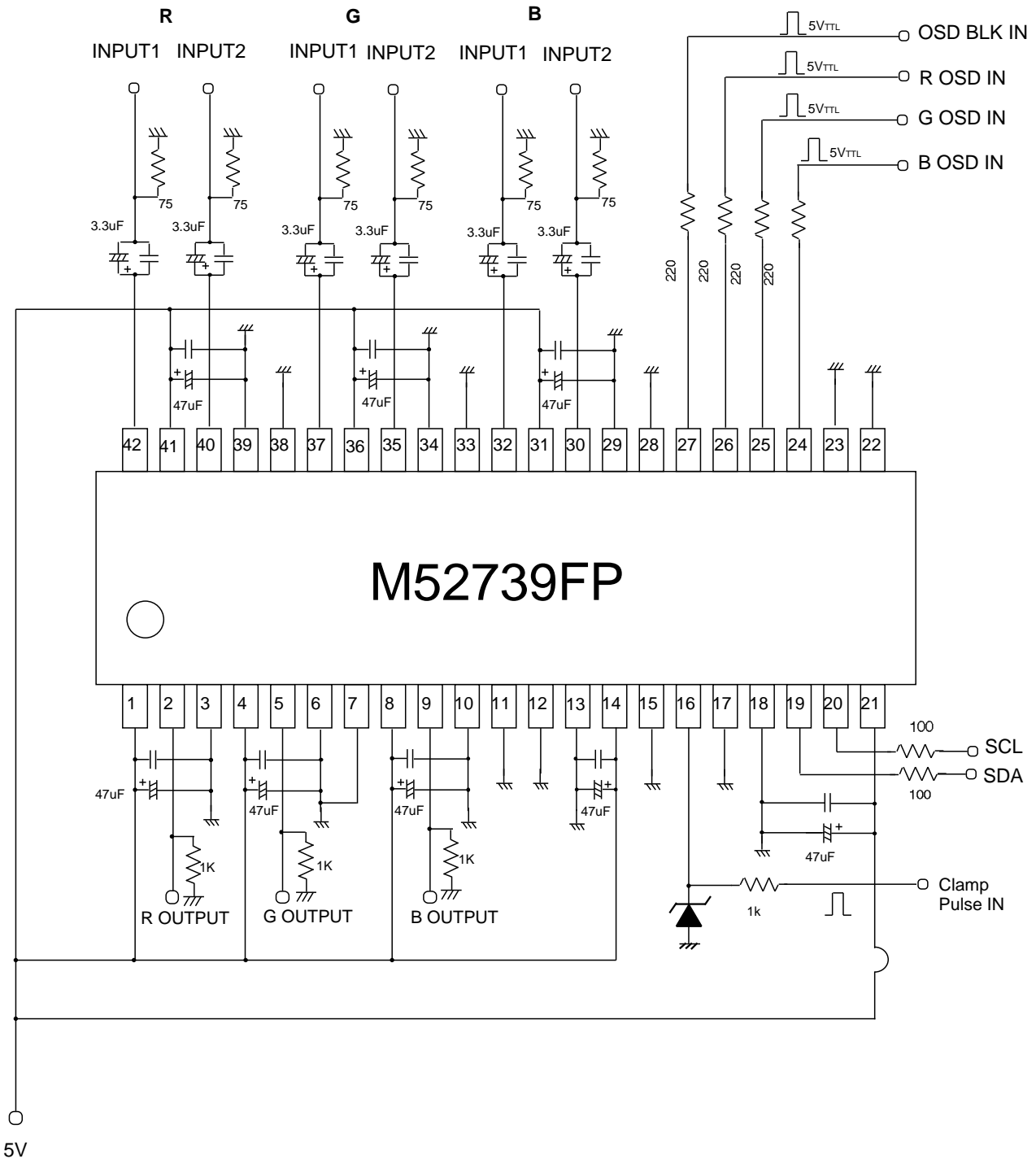
TENTATIVE

MITSUBISHI<LINEAR IC>

M52739FP

IIC BUS controled 3channel video pre-amplifier for LCD display monitor.

APPLICATION EXAMPLE



Condenser: 0.01 uF (unless otherwise specified.)

TENTATIVE

mitsubishi<LINEAR IC>

M52739FP

IIC BUS controled 3channel video pre-amplifier for LCD display monitor.

Terminal Description

	Name	DC Voltage (V)	peripheral Circuit	Remark
1	R VCC 2	5		
4	G VCC 2			
8	B VCC2			
2	OUTPUT (R)	—		
5	OUTPUT (G)			
9	OUTPUT (B)			
3	R GND 2	GND		
6	G GND 2			
10	B GND 2			
13	Analog Gnd	GND		
14	Analog Vcc	5		
16	Clamp Pulse In	—		<p>more than 200nSec</p> <p>2.5V 5V</p> <p>0.5V GND</p> <p>Input at low impedance.</p>

TENTATIVE

MITSUBISHI<LINEAR IC>

M52739FP

IIC BUS controled 3channel video pre-amplifier for LCD display monitor.

	Name	DC Voltage (V)	peripheral Circuit	Remark
18	Digital GND	GND	_____	_____
19	SDA	—		SDA for IIC (Serial data line) VTH=2.3V
20	SCL	—		SCL for IIC (Serial clock line) VTH=2.3V
21	Digital Vcc	5V	_____	_____
24	B OSD IN	—		Input pulses
25	G OSD IN			
26	R OSD IN			

TENTATIVE

MITSUBISHI<LINEAR IC>

M52739FP

IIC BUS controled 3channel video pre-amplifier for LCD display monitor.

No.	Name	DC Voltage (V)	peripheral Circuit	Remark
27	OSD BLK IN	—		<p>Input pulses</p> <p>Connected to GND if not used.</p>
29 34 39	B GND 1 G GND 1 R GND 1	GND	_____	_____
30 32 35 37 40 42	B INPUT 2 B INPUT 1 G INPUT 2 G INPUT 1 R INPUT 2 R INPUT 1	2.1 V		<ul style="list-style-type: none"> • Clamped to about 2.1 V due to clamp pulses from pin16. • Input at low impedance.
31 36 41	R VCC 1 G VCC 1 B VCC 1	5	_____	_____
7 11 12 15 17 2 2 28 33 38	NC	—	_____	Connect GND for radiation of heat