

MB91460C series is a line of general-purpose 32-bit RISC microcontrollers designed for embedded control applications which require high-speed real-time processing, such as consumer devices and on-board vehicle systems. This series uses the FR60 CPU, which is compatible with the FR family of CPUs.

This series contains the LIN-USART and CAN controllers.

Features

FR60 CPU core

- 32-bit RISC, load/store architecture, five-stage pipeline
- 16-bit fixed-length instructions (basic instructions)
- Instruction execution speed: 1 instruction per cycle
- Instructions including memory-to-memory transfer, bit manipulation, and barrel shift instructions: Instructions suitable for embedded applications
- Function entry/exit instructions and register data multi-load store instructions : Instructions supporting C language
- Register interlock function: Facilitating assembly-language coding
- Built-in multiplier with instruction-level support
 - Signed 32-bit multiplication: 5 cycles
 - Signed 16-bit multiplication: 3 cycles
- Interrupts (save PC/PS) : 6 cycles (16 priority levels)
- Harvard architecture enabling program access and data access to be performed simultaneously
- Instructions compatible with the FR family

Internal peripheral resources

- General-purpose ports : Maximum 104 ports
- DMAC (DMA Controller)
 - Maximum of 5 channels able to operate simultaneously.
 - 2 transfer sources (internal peripheral/software)
 - Activation source can be selected using software
 - Addressing mode specifies full 32-bit addresses (increment/decrement/fixes)
 - Transfer mode (demand transfer/burst transfer/step transfer/block transfer)
 - Transfer data size selectable from 8/16/32-bit
 - Multi-byte transfer enabled (by software)
 - DMAC descriptor in I/O areas (200H to 240H, 1000H to 1024H)
- A/D converter (successive approximation type)
 - 10-bit resolution: 30 channels
 - Conversion time: minimum 1 μ s
- External interrupt inputs : 15 channels
 - 8 channels shared with CAN RX or I²C pins
- Bit search module (for REALOS)
 - Function to search the first bit position of "1", "0", "changed" from the MSB (most significant bit) within one word

- LIN-USART (full duplex double buffer): 5 channels
 - Clock synchronous/asynchronous selectable
 - Sync-break detection
 - Internal dedicated baud rate generator
- I²C bus interface (supports 400 kbps): 3 channels
 - Master/slave transmission and reception
 - Arbitration function, clock synchronization function
- CAN controller (C-CAN): 3 channels
 - Maximum transfer speed: 1 Mbps
 - 32 transmission/reception message buffers
- Stepper motor controller : 6 channels
 - 4 high current output to each channel
 - 2 synchronized PWMs per channel (8/10-bit)
- Sound generator : 1 channel
 - Tone frequency : PWM frequency divide-by-two (reload value + 1)
- Alarm comparator : 1 channel
 - Monitor external voltage
 - Generate an interrupt in case of voltage lower/higher than the defined thresholds (reference voltage)
- 16-bit PPG timer : 12 channels
- 16-bit PFM timer : 1 channel
- 16-bit reload timer: 8 channels
- 16-bit free-run timer: 8 channels (1 channel each for ICU and OCU)
- Input capture: 8 channels (operates in conjunction with the free-run timer)
- Output compare: 4 channels (operates in conjunction with the free-run timer)
- Up/Down counter: 3 channels (3*8-bit or 2*16-bit)
- Watchdog timer
- Real-time clock
- Low-power consumption modes : Sleep/stop mode function
- Low voltage detection circuit
- Clock supervisor
 - Monitors the sub-clock (32 kHz) and the main clock (4 MHz) , and switches to a recovery clock (CR oscillator, etc.) when the oscillations stop.
- Clock modulator
- Clock monitor

- Sub-clock calibration
 - Corrects the real-time clock timer when operating with the 32 kHz or CR oscillator
- Main oscillator stabilization timer
 - Generates an interrupt in sub-clock mode after the stabilization wait time has elapsed on the 23-bit stabilization wait time counter
 - Sub-oscillator stabilization timer
 - Generates an interrupt in main clock mode after the stabilization wait time has elapsed on the 15-bit stabilization wait time counter

Note: MB91F463CA is under development.

Package and technology

- Package: QFP-144
- CMOS 180 nm technology
- Power supply range 3 V to 5 V (1.8 V internal logic provided by a step-down voltage converter)
- Operating temperature range: between -40°C and $+105^{\circ}\text{C}$

Contents

Product Lineup	4	Embedded Program/data Memory (Flash)	29
Pin Assignment	6	Flash features	29
MB91F463CA, MB91F465CA, MB91F467Cx	6	Operation modes:	29
Pin Description	7	Flash access in CPU mode	30
MB91F463CA, MB91F465CA, MB91F467Cx	7	Parallel Flash programming mode	35
I/O Circuit Types	14	Power on Sequence in parallel programming mode	38
Handling Devices	20	Flash Security	38
Preventing Latch-up	20	Memory Space	41
Handling of unused input pins	20	Memory Maps	42
Power supply pins	20	MB91F467Cx, MB91F465CA	42
Crystal oscillator circuit	20	MB91F463CA	43
Notes on using external clock	20	I/O Map	44
Mode pins (MD_x)	21	MB91F463CA, MB91F465CA, MB91F467Cx	44
Notes on operating in PLL clock mode	21	Flash memory and external bus area	67
Pull-up control	21	Interrupt Vector Table	69
Notes on Debugger	22	Recommended Settings	74
Execution of the RETI Command	22	PLL and Clockgear settings	74
Break function	22	Clock Modulator settings	75
Operand break	22	Electrical Characteristics	80
Notes on PS register	22	Absolute maximum ratings	80
Block Diagram	23	Recommended operating conditions	82
MB91F463CA, MB91F465CA, MB91F467Cx	23	DC characteristics	83
CPU and Control Unit	24	A/D converter characteristics	88
Features	24	Alarm comparator characteristics	92
Internal architecture	24	FLASH memory program/erase characteristics	93
Programming model	25	AC characteristics	94
Registers	26	Ordering Information	101
		Package Dimension	102
		Revision History	103
		Main Changes	104
		Document History	105

1. Product Lineup

Feature	MB91V460	MB91F463CA	MB91F465CA	MB91F467CA MB91F467CB
Max. core frequency (CLKB)	80 MHz	100 MHz	100 MHz	100 MHz
Max. resource frequency (CLKP)	40 MHz	50 MHz	50 MHz	50 MHz
Max. external bus frequency (CLKT)	40 MHz	-	-	-
Max. CAN frequency (CLKCAN)	20 MHz	50 MHz	50 MHz	50 MHz
Max. FlexRay frequency (SCLK)	-	-	-	-
Technology	0.35μm	0.18μm	0.18μm	0.18μm
Watchdog timer	yes	yes	yes	yes
Watchdog timer (RC osc. based)	yes (disengageable)	yes	yes	yes
Bit Search	yes	yes	yes	yes
Reset input (INITX)	yes	yes	yes	yes
Hardware standby input (HSTX)	yes	no	no	no
Clock Modulator	yes	yes	yes	yes
Clock Monitor	yes	yes	yes	yes
Low Power Mode	yes	yes	yes	yes
DMA	5 ch	5 ch	5 ch	5 ch
MMU/MPU	MPU (16 ch) ^{*1}	MPU (4 ch) ^{*1}	MPU (8 ch) ^{*1}	MPU (8 ch) ^{*1}
Flash memory	Emulation SRAM 32bit read data	288 KByte	544 KByte	1088 KByte
Satellite Flash memory	-	-	-	-
Flash Protection	-	yes	yes	yes
D-RAM	64 KByte	16 KByte	16 KByte	32 KByte
ID-RAM	64 KByte	8 KByte	16 KByte	32 KByte
Flash-Cache (Instruction cache)	16 KByte	4 KByte	8 KByte	8 KByte
Boot-ROM / BI-ROM	4 KByte fixed	4 KByte	4 KByte	4 KByte
RTC	1 ch	1 ch	1 ch	1 ch
Free Running Timer	8 ch	8 ch	8 ch	8 ch
ICU	8 ch	8 ch	8 ch	8 ch
OCU	8 ch	4 ch	4 ch	4 ch
Reload Timer	8 ch	8 ch	8 ch	8 ch
PPG 16-bit	16 ch	12 ch	12 ch	12 ch
PFM 16-bit	1 ch	1 ch	1 ch	1 ch
Sound Generator	1 ch	1 ch	1 ch	1 ch
Up/Down Counter (8/16 bit)	4 ch (8-bit) / 2 ch (16-bit)	3 ch (8-bit) / 2ch (16-bit)	3 ch (8-bit) / 2ch (16-bit)	3 ch (8-bit) / 2ch (16-bit)
C_CAN	6 ch (128msg)	3 ch (32msg)	3 ch (32msg)	3 ch (32msg)
LIN-USART	4 ch + 4 ch FIFO + 8 ch	1 ch + 4 ch FIFO	1 ch + 4 ch FIFO	1 ch + 4 ch FIFO

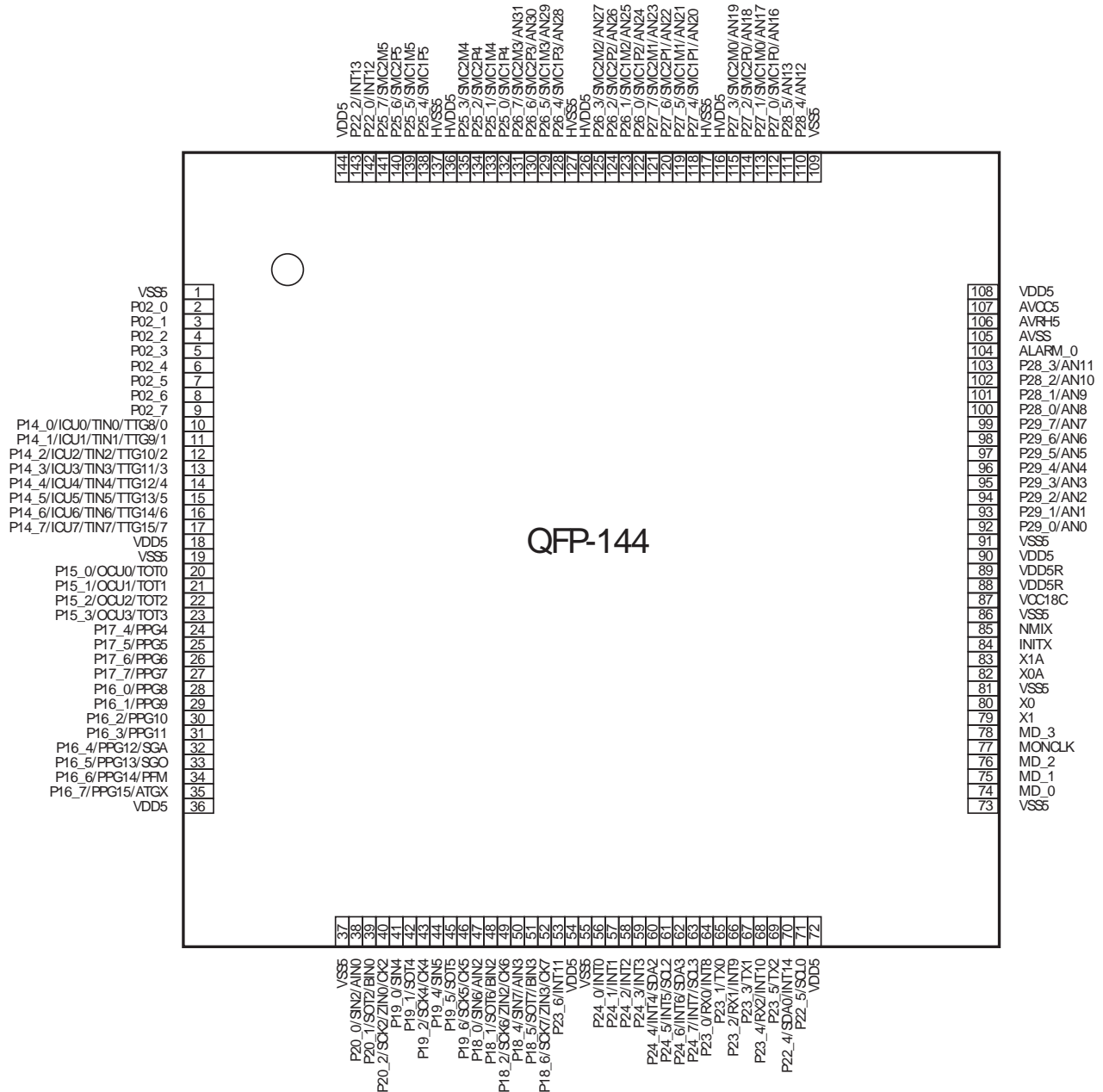
Feature	MB91V460	MB91F463CA	MB91F465CA	MB91F467CA MB91F467CB
I ² C (400K)	4 ch	3 ch	3 ch	3 ch
FR external bus	yes (32bit addr, 32bit data)	-	-	-
External Interrupts	16 ch	15 ch	15 ch	15 ch
NMI Interrupts	1 ch	1 ch	1 ch	1 ch
SMC	6 ch	6 ch	6 ch	6 ch
LCD controller (40x4)	1 ch	-	-	-
ADC (10-bit)	32 ch	30 ch	30 ch	30 ch
Alarm Comparator	2 ch	1 ch	1 ch	1 ch
Supply Supervisor (low voltage detection)	yes	yes	yes	yes
Clock Supervisor	yes	yes	yes	yes
Main clock oscillator	4 MHz	4 MHz	4 MHz	4 MHz
Sub clock oscillator	32kHz	32kHz	32kHz	32kHz
RC oscillator	100kHz	100kHz / 2MHz	100kHz / 2MHz	100kHz / 2MHz
PLL	x 20	x 25	x 25	x 25
DSU4	yes	no	no	no
EDSU	yes (32 BP) ^{*1}	yes (8 BP) ^{*1}	yes (16 BP) ^{*1}	yes (16 BP) ^{*1}
Supply voltage	3V/5V	3V/5V	3V/5V	3V/5V
Regulator	yes	yes	yes	yes
Power consumption	n.a.	< 1 W	< 1 W	< 1 W
Temperature Range (Ta)	0.70 C	-40.105 C	-40.105 C	-40.105 C
Package	BGA660	QFP-144	QFP-144	QFP-144
Power on to PLL run	< 20 ms	< 20 ms	< 20 ms	< 20 ms
Flash Download Time	n.a.	< 5 sec. typical	< 5 sec. typical	< 6 sec typical

*1: MPU channels use EDSU breakpoint registers (shared operation between MPU and EDSU).

2. Pin Assignment

2.1 MB91F463CA, MB91F465CA, MB91F467Cx

(TOP VIEW)



3. Pin Description

3.1 MB91F463CA, MB91F465CA, MB91F467Cx

Pin no.	Pin name	I/O	I/O circuit type*	Function
2 to 9	P02_0 to P02_7	I/O	A	General-purpose input/output ports
10 to 17	P14_0 to P14_7	I/O	A	General-purpose input/output ports
	ICU0 to ICU7			Input capture input pins
	TIN0 to TIN7			External trigger input pins of reload timer
	TTG8/0 to TTG15/7			External trigger input pins of PPG timer
20 to 23	P15_0 to P15_3	I/O	A	General-purpose input/output ports
	OCU0 to OCU3			Output compare output pins
	TOT0 to TOT3			Reload timer output pins
24 to 27	P17_4 to P17_7	I/O	A	General-purpose input/output ports
	PPG4 to PPG7			Output pins of PPG timer
28 to 31	P16_0 to P16_3	I/O	A	General-purpose input/output ports
	PPG8 to PPG11			Output pins of PPG timer
32	P16_4	I/O	A	General-purpose input/output ports
	PPG12			Output pins of PPG timer
	SGA			SGA output pin of sound generator
33	P16_5	I/O	A	General-purpose input/output ports
	PPG13			Output pins of PPG timer
	SGO			SGO output pin of sound generator
34	P16_6	I/O	A	General-purpose input/output ports
	PPG14			Output pins of PPG timer
	PFM			Pulse frequency modulator output pin
35	P16_7	I/O	A	General-purpose input/output ports
	PPG15			Output pins of PPG timer
	ATGX			A/D converter external trigger input pin
38	P20_0	I/O	A	General-purpose input/output ports
	SIN2			Data input pin of USART2
	AIN0			Up/down counter input pin
39	P20_1	I/O	A	General-purpose input/output ports
	SOT2			Data output pin of USART2
	BIN0			Up/down counter input pin
40	P20_2	I/O	A	General-purpose input/output ports
	SCK2			Clock input/output pin of USART2
	ZIN0			Up/down counter input pin
	CK2			External clock input pin of free-run timer 2

Pin no.	Pin name	I/O	I/O circuit type*	Function
41	P19_0	I/O	A	General-purpose input/output ports
	SIN4			Data input pin of USART4
42	P19_1	I/O	A	General-purpose input/output ports
	SOT4			Data output pin of USART4
43	P19_2	I/O	A	General-purpose input/output ports
	SCK4			Clock input/output pin of USART4
	CK4			External clock input pin of free-run timer 4
44	P19_4	I/O	A	General-purpose input/output ports
	SIN5			Data input pin of USART5
45	P19_5	I/O	A	General-purpose input/output ports
	SOT5			Data output pin of USART5
46	P19_6	I/O	A	General-purpose input/output ports
	SCK5			Clock input/output pin of USART5
	CK5			External clock input pin of free-run timer 5
47	P18_0	I/O	A	General-purpose input/output ports
	SIN6			Data input pin of USART6
	AIN2			Up/down counter input pin
48	P18_1	I/O	A	General-purpose input/output ports
	SOT6			Data output pin of USART6
	BIN2			Up/down counter input pin
49	P18_2	I/O	A	General-purpose input/output ports
	SCK6			Clock input/output pin of USART6
	ZIN2			Up/down counter input pin
	CK6			External clock input pin of free-run timer 6
50	P18_4	I/O	A	General-purpose input/output ports
	SIN7			Data input pin of USART7
	AIN3			Up/down counter input pin
51	P18_5	I/O	A	General-purpose input/output ports
	SOT7			Data output pin of USART7
	BIN3			Up/down counter input pin
52	P18_6	I/O	A	General-purpose input/output ports
	SCK7			Clock input/output pin of USART7
	ZIN3			Up/down counter input pin
	CK7			External clock input pin of free-run timer 7
53	P23_6	I/O	A	General-purpose input/output ports
	INT11			External Interrupt input (CAN wakeup)

Pin no.	Pin name	I/O	I/O circuit type*	Function
56 to 59	P24_0 to P24_3	I/O	A	General-purpose input/output ports
	INT0 to INT3			External Interrupt input
60	P24_4	I/O	A	General-purpose input/output ports
	INT4			External Interrupt input
	SDA2			I ² C bus DATA input/output pin (open drain)
61	P24_5	I/O	A	General-purpose input/output ports
	INT5			External Interrupt input
	SCL2			I ² C bus clock input/output pin (open drain)
62	P24_6	I/O	A	General-purpose input/output ports
	INT6			External Interrupt input
	SDA3			I ² C bus DATA input/output pin (open drain)
63	P24_7	I/O	A	General-purpose input/output ports
	INT7			External Interrupt input
	SCL3			I ² C bus clock input/output pin (open drain)
64	P23_0	I/O	A	General-purpose input/output ports
	RX0			RX input/output pin of CAN0
	INT8			External Interrupt input (CAN wakeup)
65	P23_1	I/O	A	General-purpose input/output ports
	TX0			TX output pin of CAN0
66	P23_2	I/O	A	General-purpose input/output ports
	RX1			RX input/output pin of CAN1
	INT9			External Interrupt input (CAN wakeup)
67	P23_3	I/O	A	General-purpose input/output ports
	TX1			TX output pin of CAN1
68	P23_4	I/O	A	General-purpose input/output ports
	RX2			RX input/output pin of CAN2
	INT10			External Interrupt input (CAN wakeup)
69	P23_5	I/O	A	General-purpose input/output ports
	TX2			TX output pin of CAN2
70	P22_4	I/O	A	General-purpose input/output ports
	SDA0			I ² C bus DATA input/output pin (open drain)
	INT14			External Interrupt input (I ² C wakeup)
71	P22_5	I/O	A	General-purpose input/output ports
	SCL0			I ² C bus clock input/output pin (open drain)
74 to 76	MD_0 to MD_2	I	G	Mode setting pins
77	MONCLK	O	G	Clock monitor pin
78	MD_3	I	G	To be connected to VSS

Pin no.	Pin name	I/O	I/O circuit type*	Function
79	X1	—	J1	Clock (oscillation) output
80	X0	—	J1	Clock (oscillation) output
82	X0A	—	J2	Sub clock (oscillation) output
83	X1A	—	J2	Sub clock (oscillation) output
84	INITX	I	H	External reset input pin
85	NMIX	I	H	Non-Maskable Interrupt input
92 to 99	P29_0 to P29_7	I/O	B	General-purpose input/output ports
	AN0 to AN7			Analog input pins of A/D converter
100 to 103	P28_0 to P28_3	I/O	B	General-purpose input/output ports
	AN8 to AN11			Analog input pins of A/D converter
104	ALARM_0	I	I	Alarm comparator input pin
110, 111	P28_4, P28_5	I/O	B	General-purpose input/output ports
	AN12 to AN13			Analog input pins of A/D converter
112	P27_0	I/O	F	General-purpose input/output ports
	SMC1P0			Controller output pin of Stepper motor
	AN16			Analog input pins of A/D converter
113	P27_1	I/O	F	General-purpose input/output ports
	SMC1M0			Controller output pin of Stepper motor
	AN17			Analog input pins of A/D converter
114	P27_2	I/O	F	General-purpose input/output ports
	SMC2P0			Controller output pin of Stepper motor
	AN18			Analog input pins of A/D converter
115	P27_3	I/O	F	General-purpose input/output ports
	SMC2M0			Controller output pin of Stepper motor
	AN19			Analog input pins of A/D converter
118	P27_4	I/O	F	General-purpose input/output ports
	SMC1P1			Controller output pin of Stepper motor
	AN20			Analog input pins of A/D converter
119	P27_5	I/O	F	General-purpose input/output ports
	SMC1M1			Controller output pin of Stepper motor
	AN21			Analog input pins of A/D converter
120	P27_6	I/O	F	General-purpose input/output ports
	SMC2P1			Controller output pin of Stepper motor
	AN22			Analog input pins of A/D converter
121	P27_7	I/O	F	General-purpose input/output ports
	SMC2M1			Controller output pin of Stepper motor
	AN23			Analog input pins of A/D converter

Pin no.	Pin name	I/O	I/O circuit type*	Function
122	P26_0	I/O	F	General-purpose input/output ports
	SMC1P2			Controller output pin of Stepper motor
	AN24			Analog input pins of A/D converter
123	P26_1	I/O	F	General-purpose input/output ports
	SMC1M2			Controller output pin of Stepper motor
	AN25			Analog input pins of A/D converter
124	P26_2	I/O	F	General-purpose input/output ports
	SMC2P2			Controller output pin of Stepper motor
	AN26			Analog input pins of A/D converter
125	P26_3	I/O	F	General-purpose input/output ports
	SMC2M2			Controller output pin of Stepper motor
	AN27			Analog input pins of A/D converter
128	P26_4	I/O	F	General-purpose input/output ports
	SMC1P3			Controller output pin of Stepper motor
	AN28			Analog input pins of A/D converter
129	P26_5	I/O	F	General-purpose input/output ports
	SMC1M3			Controller output pin of Stepper motor
	AN29			Analog input pins of A/D converter
130	P26_6	I/O	F	General-purpose input/output ports
	SMC2P3			Controller output pin of Stepper motor
	AN30			Analog input pins of A/D converter
131	P26_7	I/O	F	General-purpose input/output ports
	SMC2M3			Controller output pin of Stepper motor
	AN31			Analog input pins of A/D converter
132	P25_0	I/O	E	General-purpose input/output ports
	SMC1P4			Controller output pin of Stepper motor
133	P25_1	I/O	E	General-purpose input/output ports
	SMC1M4			Controller output pin of Stepper motor
134	P25_2	I/O	E	General-purpose input/output ports
	SMC2P4			Controller output pin of Stepper motor
135	P25_3	I/O	E	General-purpose input/output ports
	SMC2M4			Controller output pin of Stepper motor
138	P25_4	I/O	E	General-purpose input/output ports
	SMC1P5			Controller output pin of Stepper motor
139	P25_5	I/O	E	General-purpose input/output ports
	SMC1M5			Controller output pin of Stepper motor

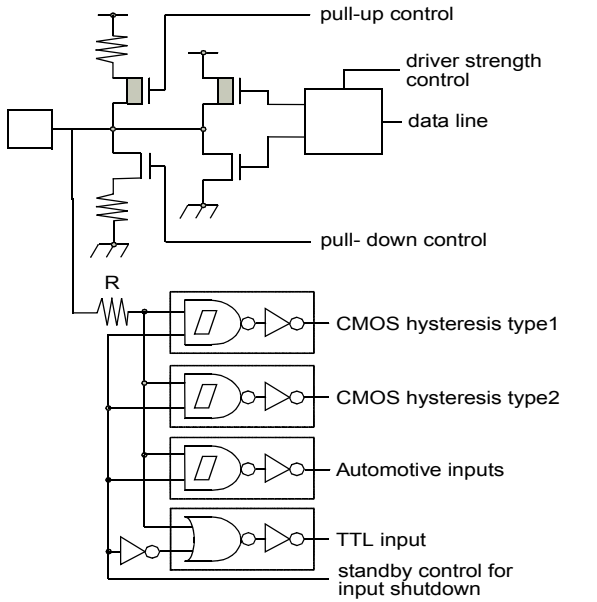
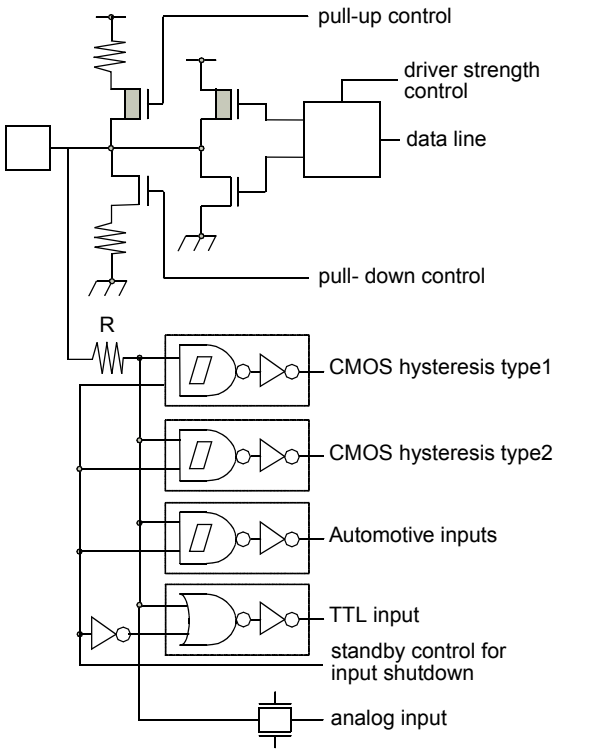
Pin no.	Pin name	I/O	I/O circuit type*	Function
140	P25_6	I/O	E	General-purpose input/output ports
	SMC2P5			Controller output pin of Stepper motor
141	P25_7	I/O	E	General-purpose input/output ports
	SMC2M5			Controller output pin of Stepper motor
142	P22_0	I/O	A	General-purpose input/output ports
	INT12			External Interrupt input (I ² C wakeup)
143	P22_2	I/O	A	General-purpose input/output ports
	INT13			External Interrupt input (I ² C wakeup)

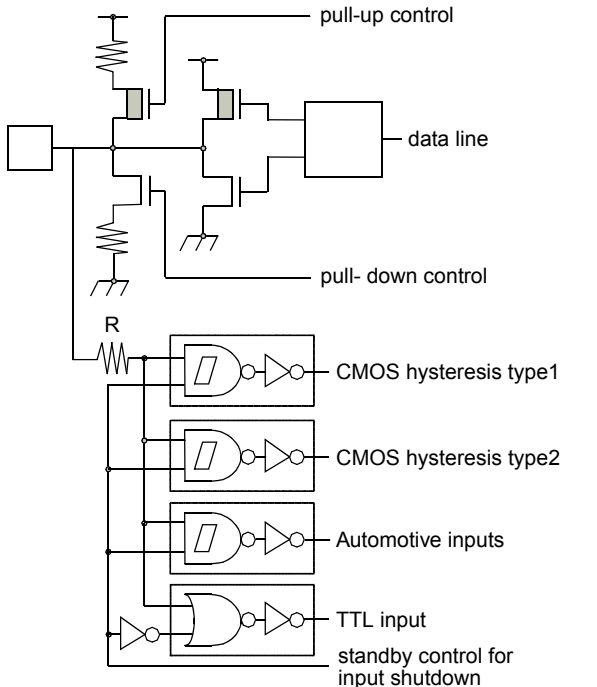
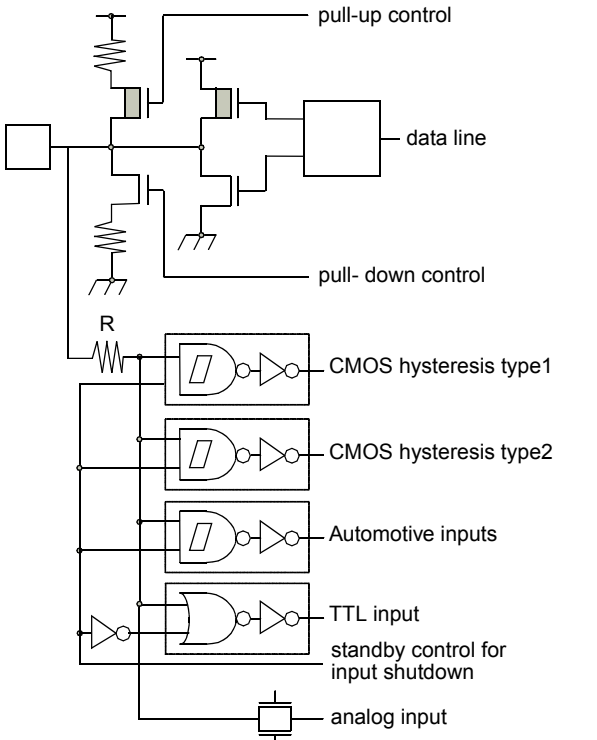
* : For information about the I/O circuit type, refer to “4. I/O Circuit Types”.

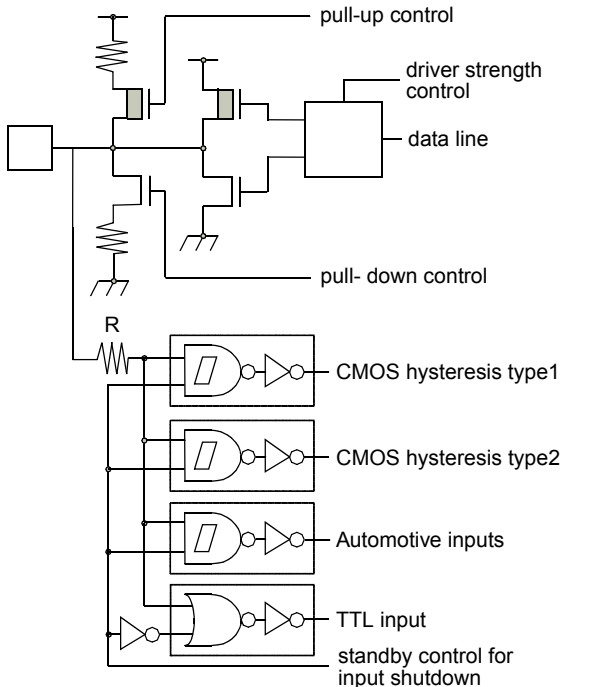
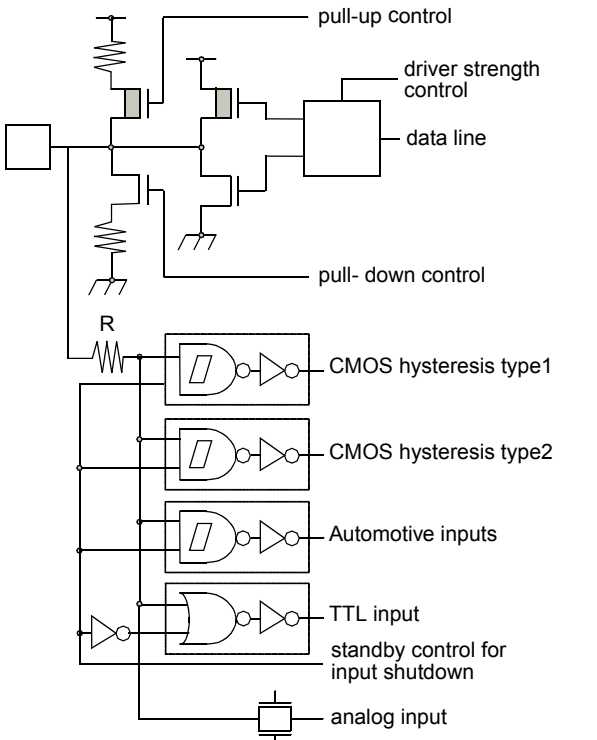
[Power supply/Ground pins]

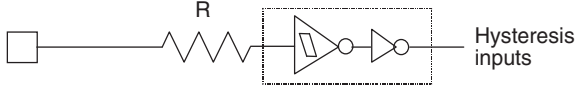
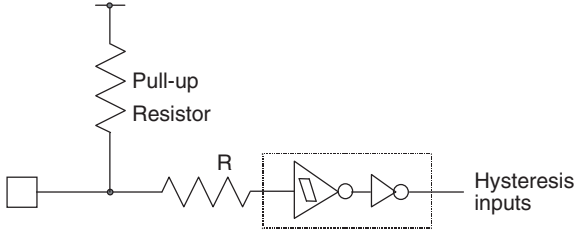
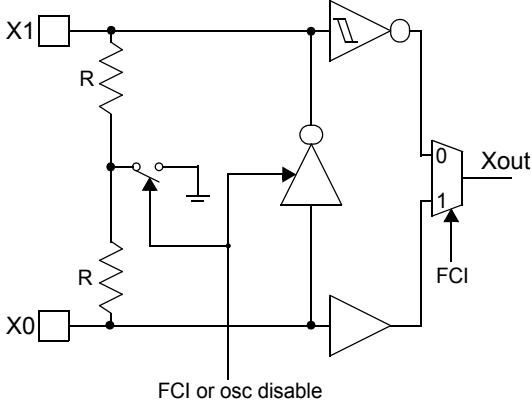
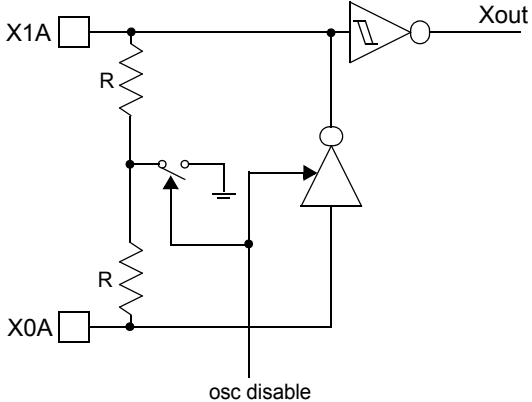
Pin no.	Pin name	I/O	Function
1, 19, 37, 55, 73, 81, 86, 91, 109	VSS5	Supply	Ground pins
117, 127, 137	HVSS5		Ground pins for Stepper motor controller
18, 36, 54, 72, 90, 108, 144	VDD5		Power supply pins
116, 126, 136	HVDD5		Power supply pins for Stepper motor controller
88, 89	VDD5R		Power supply pins for internal regulator
105	AVSS5		Analog ground pin for A/D converter
107	AVCC5		Power supply pin for A/D converter
106	AVRH5		Reference power supply pin for A/D converter
87	VCC18C		Capacitor connection pin for internal regulator

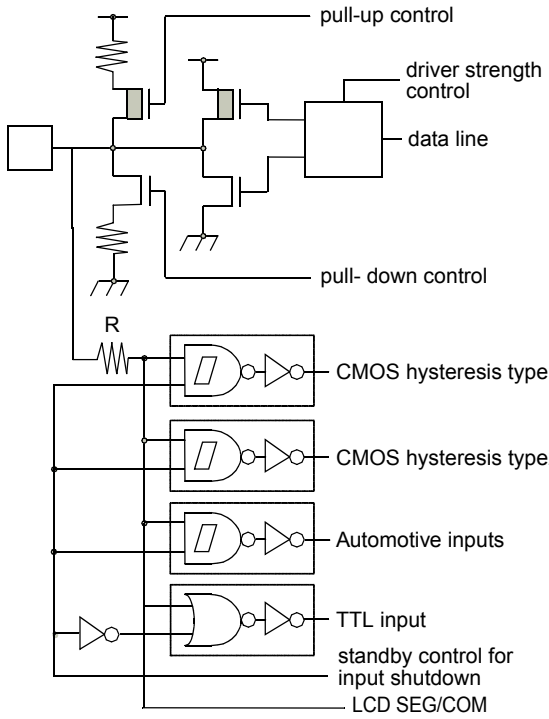
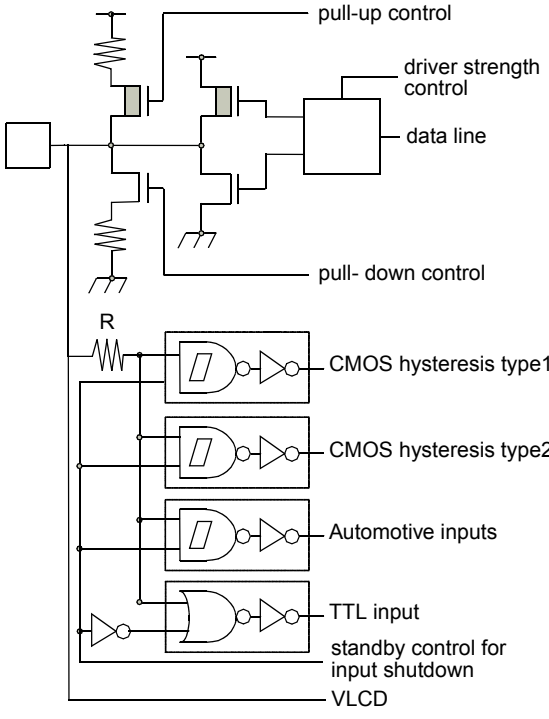
4. I/O Circuit Types

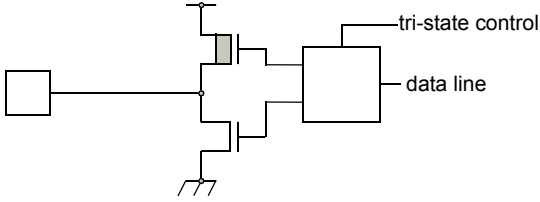
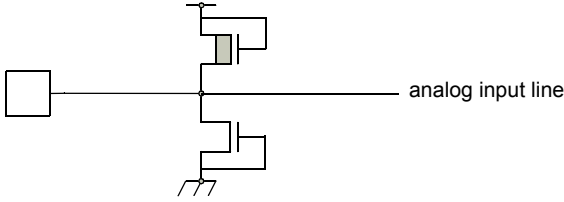
Type	Circuit	Remarks
A		<p>CMOS level output (programmable $I_{OL} = 5\text{mA}$, $I_{OH} = -5\text{mA}$ and $I_{OL} = 2\text{mA}$, $I_{OH} = -2\text{mA}$) 2 different CMOS hysteresis inputs with input shutdown function Automotive input with input shutdown function TTL input with input shutdown function Programmable pull-up resistor: 50kΩ approx.</p>
B		<p>CMOS level output (programmable $I_{OL} = 5\text{mA}$, $I_{OH} = -5\text{mA}$ and $I_{OL} = 2\text{mA}$, $I_{OH} = -2\text{mA}$) 2 different CMOS hysteresis inputs with input shutdown function Automotive input with input shutdown function TTL input with input shutdown function Programmable pull-up resistor: 50kΩ approx. Analog input</p>

Type	Circuit	Remarks
C		<p>CMOS level output ($I_{OL} = 3mA$, $I_{OH} = -3mA$) 2 different CMOS hysteresis inputs with input shutdown function Automotive input with input shutdown function TTL input with input shutdown function Programmable pull-up resistor: 50kΩ approx.</p>
D		<p>CMOS level output ($I_{OL} = 3mA$, $I_{OH} = -3mA$) 2 different CMOS hysteresis inputs with input shutdown function Automotive input with input shutdown function TTL input with input shutdown function Programmable pull-up resistor: 50kΩ approx. Analog input</p>

Type	Circuit	Remarks
E	 <p>pull-up control driver strength control data line pull-down control R CMOS hysteresis type1 CMOS hysteresis type2 Automotive inputs TTL input standby control for input shutdown</p>	<p>CMOS level output (programmable $I_{OL} = 5\text{mA}$, $I_{OH} = -5\text{mA}$ and $I_{OL} = 2\text{mA}$, $I_{OH} = -2\text{mA}$, and $I_{OL} = 30\text{mA}$, $I_{OH} = -30\text{mA}$) 2 different CMOS hysteresis inputs with input shutdown function Automotive input with input shutdown function TTL input with input shutdown function Programmable pull-up resistor: 50kΩ approx.</p>
F	 <p>pull-up control driver strength control data line pull-down control R CMOS hysteresis type1 CMOS hysteresis type2 Automotive inputs TTL input standby control for input shutdown analog input</p>	<p>CMOS level output (programmable $I_{OL} = 5\text{mA}$, $I_{OH} = -5\text{mA}$ and $I_{OL} = 2\text{mA}$, $I_{OH} = -2\text{mA}$, and $I_{OL} = 30\text{mA}$, $I_{OH} = -30\text{mA}$) 2 different CMOS hysteresis inputs with input shutdown function Automotive input with input shutdown function TTL input with input shutdown function Programmable pull-up resistor: 50kΩ approx. Analog input</p>

Type	Circuit	Remarks
G		Mask ROM and EVA device: CMOS Hysteresis input pin Flash device: CMOS input pin 12 V withstand (for MD [2:0])
H		CMOS Hysteresis input pin Pull-up resistor value: 50 kΩ approx.
J1		High-speed oscillation circuit: <ul style="list-style-type: none"> • Programmable between oscillation mode (external crystal or resonator connected to X0/X1 pins) and Fast external Clock Input (FCI) mode (external clock connected to X0 pin) • Feedback resistor = approx. 2 * 0.5 MΩ. Feedback resistor is grounded in the center when the oscillator is disabled or in FCI mode.
J2		Low-speed oscillation circuit: <ul style="list-style-type: none"> • Feedback resistor = approx. 2 * 5 MΩ. Feedback resistor is grounded in the center when the oscillator is disabled.

Type	Circuit	Remarks
K		<p>CMOS level output (programmable $I_{OL} = 5\text{mA}$, $I_{OH} = -5\text{mA}$ and $I_{OL} = 2\text{mA}$, $I_{OH} = -2\text{mA}$)</p> <p>2 different CMOS hysteresis inputs with input shutdown function Automotive input with input shutdown function TTL input with input shutdown function Programmable pull-up resistor: 50kΩ approx. LCD SEG/COM output</p>
L		<p>CMOS level output (programmable $I_{OL} = 5\text{mA}$, $I_{OH} = -5\text{mA}$ and $I_{OL} = 2\text{mA}$, $I_{OH} = -2\text{mA}$)</p> <p>2 different CMOS hysteresis inputs with input shutdown function Automotive input with input shutdown function) TTL input with input shutdown function Programmable pull-up resistor: 50kΩ approx. Analog input LCD Voltage input</p>

Type	Circuit	Remarks
M		<p>CMOS level tri-state output ($I_{OL} = 5\text{mA}$, $I_{OH} = -5\text{mA}$)</p>
N		<p>Analog input pin with protection</p>

5. Handling Devices

5.1 Preventing Latch-up

Latch-up may occur in a CMOS IC if a voltage higher than (V_{DD5} , V_{DD35} or HV_{DD5}^{*1}) or less than (V_{SS5} or HV_{SS5}^{*1}) is applied to an input or output pin or if a voltage exceeding the rating is applied between the power supply pins and ground pins. If latch-up occurs, the power supply current increases rapidly, sometimes resulting in thermal breakdown of the device. Therefore, be very careful not to apply voltages in excess of the absolute maximum ratings.

Note *1: HV_{DD5} , HV_{SS5} are available only on devices having Stepper Motor Controller.

5.2 Handling of unused input pins

If unused input pins are left open, abnormal operation may result. Any unused input pins should be connected to pull-up or pull-down resistor (2K Ω to 10K Ω) or enable internal pullup or pulldown resistors (PPER/PPCR) before the input enable (PORTEN) is activated by software. The mode pins MD_x can be connected to V_{SS5} or V_{DD5} directly. Unused ALARM input pins can be connected to AV_{SS5} directly.

5.3 Power supply pins

In MB91460 series, devices including multiple power supply pins and ground pins are designed as follows; pins necessary to be at the same potential are interconnected internally to prevent malfunctions such as latch-up. All of the power supply pins and ground pins must be externally connected to the power supply and ground respectively in order to reduce unnecessary radiation, to prevent strobe signal malfunctions due to the ground level rising and to follow the total output current ratings. Furthermore, the power supply pins and ground pins of the MB91460 series must be connected to the current supply source via a low impedance.

It is also recommended to connect a ceramic capacitor of approximately 0.1 μ F as a bypass capacitor between power supply pin and ground pin near this device.

This series has a built-in step-down regulator. Connect a bypass capacitor of 4.7 μ F (use a X7R ceramic capacitor) to VCC18C pin for the regulator.

5.4 Crystal oscillator circuit

Noise in proximity to the X0 (X0A) and X1 (X1A) pins can cause the device to operate abnormally. Printed circuit boards should be designed so that the X0 (X0A) and X1 (X1A) pins, and crystal oscillator, as well as bypass capacitors connected to ground, are located near the device and ground.

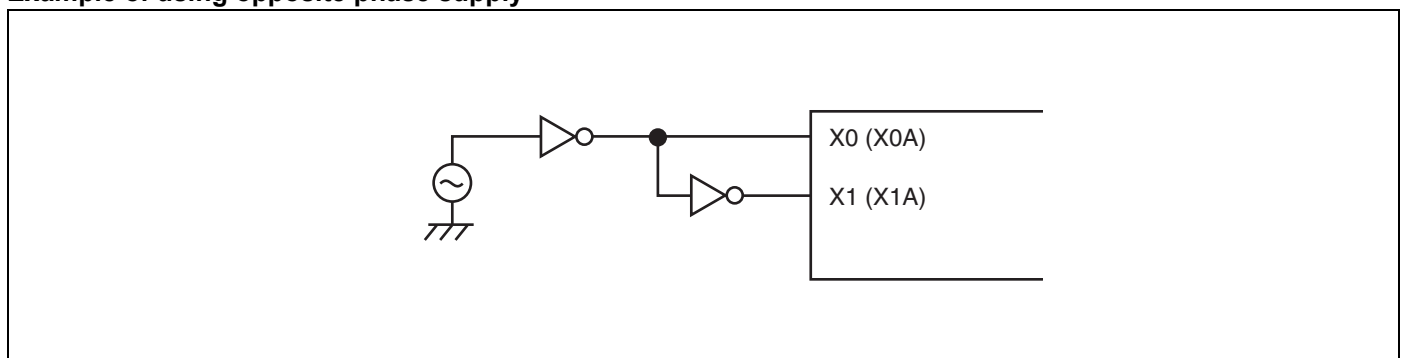
It is recommended that the printed circuit board layout be designed such that the X0 and X1 pins or X0A and X1A pins are surrounded by ground plane for the stable operation.

Please request the oscillator manufacturer to evaluate the oscillational characteristics of the crystal and this device.

5.5 Notes on using external clock

When using the external clock, it is necessary to simultaneously supply the X0 (X0A) and the X1 (X1A) pins. In the described combination, X1 (X1A) should be supplied with a clock signal which has the opposite phase to the X0 (X0A) pins. At X0 and X1, a frequency up to 16 MHz is possible.

Example of using opposite phase supply



(Continued)

(Continued)

5.6 Mode pins (MD_x)

These pins should be connected directly to the power supply or ground pins. To prevent the device from entering test mode accidentally due to noise, minimize the lengths of the patterns between each mode pin and power supply pin or ground pin on the printed circuit board as possible and connect them with low impedance.

5.7 Notes on operating in PLL clock mode

If the oscillator is disconnected or the clock input stops when the PLL clock is selected, the microcontroller may continue to operate at the free-running frequency of the self-oscillating circuit of the PLL. However, this self-running operation cannot be guaranteed.

5.8 Pull-up control

The AC standard is not guaranteed in case a pull-up resistor is connected to the pin serving as an external bus pin.

6. Notes on Debugger

6.1 Execution of the RETI Command

If single-step execution is used in an environment where an interrupt occurs frequently, the corresponding interrupt handling routine will be executed repeatedly to the exclusion of other processing. This will prevent the main routine and the handlers for low priority level interrupts from being executed (For example, if the time-base timer interrupt is enabled, stepping over the RETI instruction will always break on the first line of the time-base timer interrupt handler).

Disable the corresponding interrupts when the corresponding interrupt handling routine no longer needs debugging.

6.2 Break function

If the range of addresses that cause a hardware break (including event breaks) is set to the address of the current system stack pointer or to an area that contains the stack pointer, execution will break after each instruction regardless of whether the user program actually contains data access instructions.

To prevent this, do not set (word) access to the area containing the address of the system stack pointer as the target of the hardware break (including an event breaks).

6.3 Operand break

It may cause malfunctions if a stack pointer exists in the area which is set as the DSU operand break. Do not set the access to the areas containing the address of system stack pointer as a target of data event break.

6.4 Notes on PS register

As the PS register is processed in advance by some instructions, when the debugger is being used, the exception handling may result in execution breaking in an interrupt handling routine or the displayed values of the flags in the PS register being updated.

As the microcontroller is designed to carry out reprocessing correctly upon returning from such an EIT event, the operation before and after the EIT always proceeds according to specification.

The following behavior may occur if any of the following occurs in the instruction immediately after a DIV0U/DIV0S instruction:

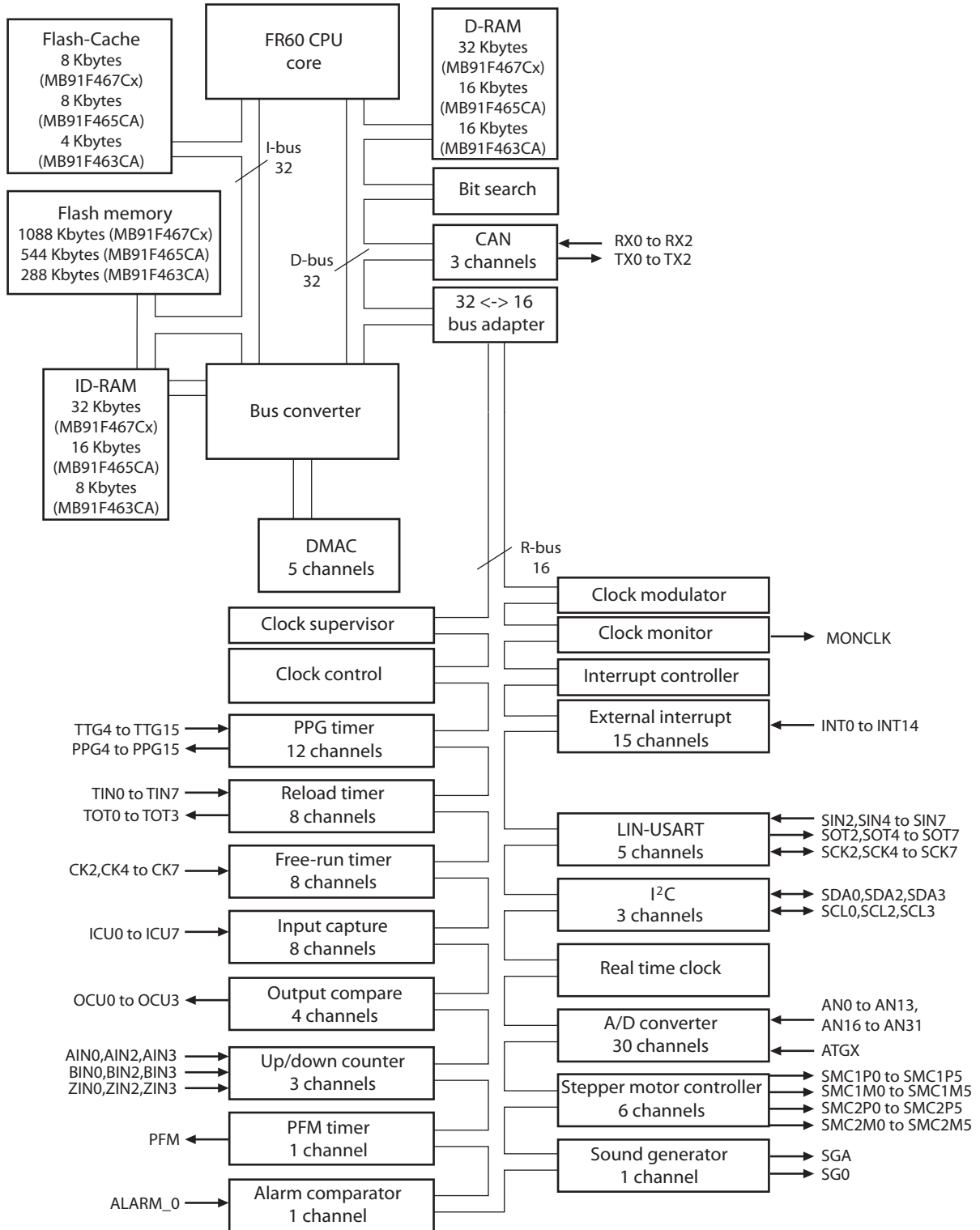
- a. a user interrupt or NMI is accepted;
- b. single-step execution is performed;
- c. execution breaks due to a data event or from the emulator menu.
 1. D0 and D1 flags are updated in advance.
 2. An EIT handling routine (user interrupt/NMI or emulator) is executed.
 3. Upon returning from the EIT, the DIV0U/DIV0S instruction is executed and the D0 and D1 flags are updated to the same values as those in 1.

The following behavior occurs when an ORCCR, STILM, MOV Ri,PS instruction is executed to enable a user interrupt or NMI source while that interrupt is in the active state.

1. The PS register is updated in advance.
2. An EIT handling routine (user interrupt/NMI or emulator) is executed.
3. Upon returning from the EIT, the above instructions are executed and the PS register is updated to the same value as in 1.

7. Block Diagram

7.1 MB91F463CA, MB91F465CA, MB91F467Cx



8. CPU and Control Unit

The FR family CPU is a high performance core that is designed based on the RISC architecture with advanced instructions for embedded applications.

8.1 Features

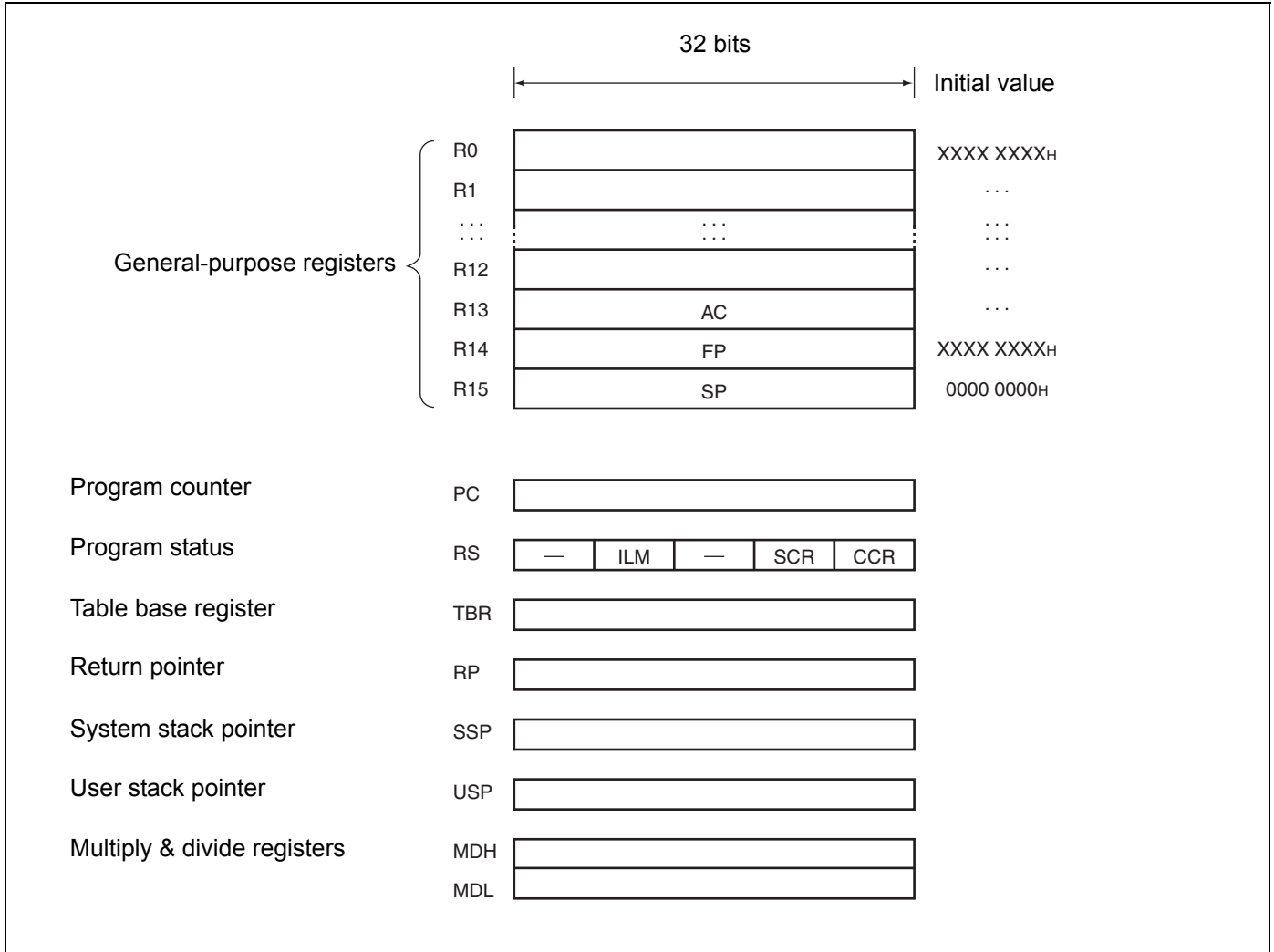
- Adoption of RISC architecture
Basic instruction: 1 instruction per cycle
- General-purpose registers: 32-bit × 16 registers
- 4 Gbytes linear memory space
- Multiplier installed
32-bit × 32-bit multiplication: 5 cycles
16-bit × 16-bit multiplication: 3 cycles
- Enhanced interrupt processing function
Quick response speed (6 cycles)
Multiple-interrupt support
Level mask function (16 levels)
- Enhanced instructions for I/O operation
Memory-to-memory transfer instruction
Bit processing instruction
Basic instruction word length: 16 bits
- Low-power consumption
Sleep mode/stop mode

8.2 Internal architecture

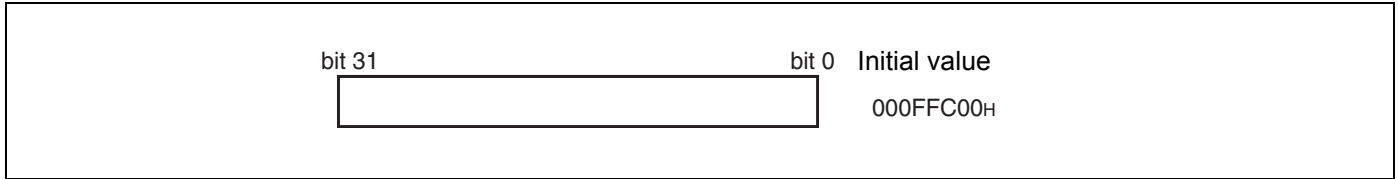
- The FR family CPU uses the Harvard architecture in which the instruction bus and data bus are independent of each other.
- A 32-bit ↔ 16-bit buffer is connected to the 32-bit bus (D-bus) to provide an interface between the CPU and peripheral resources.
- A Harvard ↔ Princeton bus converter is connected to both the I-bus and D-bus to provide an interface between the CPU and the bus controller.

8.3 Programming model

8.3.1 Basic programming model

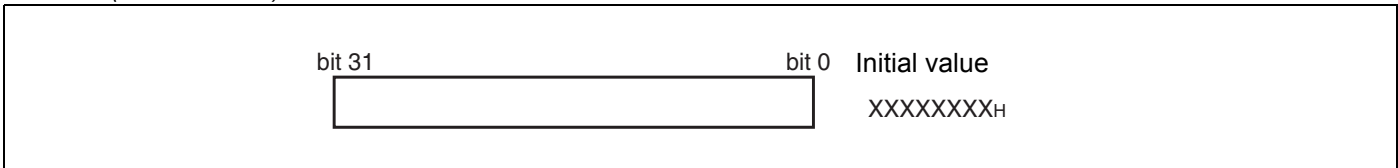


8.4.7 TBR (Table Base Register)



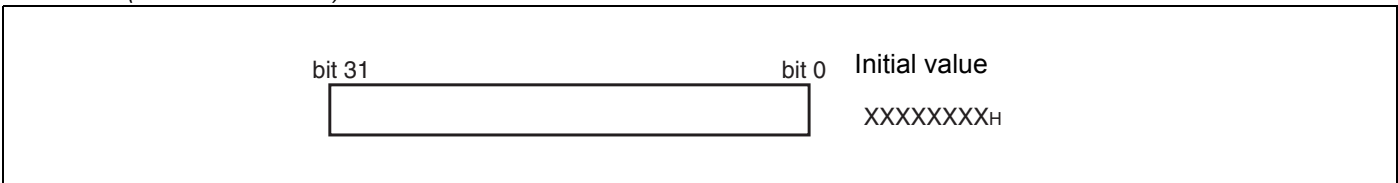
The table base register stores the starting address of the vector table used in EIT processing. The initial value at reset is 000FFC00_H.

8.4.8 RP (Return Pointer)



The return pointer stores the address for return from subroutines. During execution of a CALL instruction, the PC value is transferred to this RP register. During execution of a RET instruction, the contents of the RP register are transferred to PC. The initial value at reset is undefined.

8.4.9 USP (User Stack Pointer)



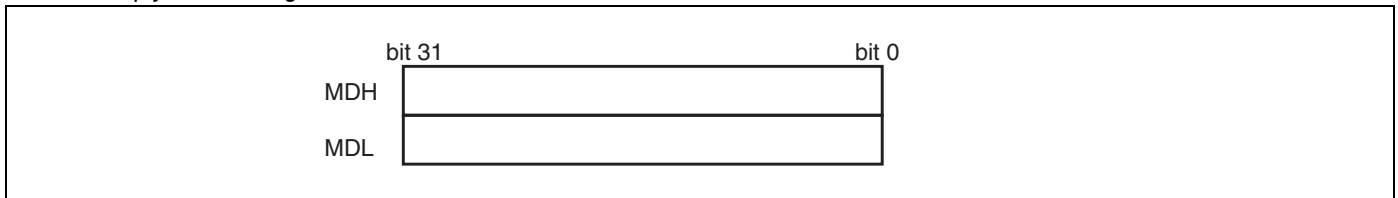
The user stack pointer, when the S flag is “1”, this register functions as the R15 register.

- The USP register can also be explicitly specified.

The initial value at reset is undefined.

- This register cannot be used with RETI instructions.

8.4.10 Multiply & divide registers



These registers are for multiplication and division, and are each 32 bits in length. The initial value at reset is undefined.

9. Embedded Program/data Memory (Flash)

9.1 Flash features

- MB91F467Cx: 1088 Kbytes (16×64 Kbytes + 8×8 Kbytes = 8.5 Mbits)
- MB91F465CA: 544 Kbytes (8×64 Kbytes + 4×8 Kbytes = 4.25 Mbits)
- MB91F463CA: 288 Kbytes (4×64 Kbytes + 4×8 Kbytes = 2.25 Mbits)
- Programmable wait states for read/write access
- Flash and Boot security with security vector at 0x0014:8000 - 0x0014:800F
- Boot security
- Basic specification: Same as MBM29LV400TC (except size and part of sector configuration)

9.2 Operation modes:

(1) 64-bit CPU mode (available on MB91F467Cx only) :

- CPU reads and executes programs in word (32-bit) length units.
- Flash writing is not possible.
- Actual Flash Memory access is performed in d-word (64-bit) length units.

(1) 32-bit CPU mode:

- CPU reads and executes programs in word (32-bit) length units.
- Actual Flash Memory access is performed in word (32-bit) length units.

(2) 16-bit CPU mode:

- CPU reads and writes in half-word (16-bit) length units.
- Program execution from the Flash is not possible.
- Actual Flash Memory access is performed in word (16-bit) length units.

Note: The operation mode of the MCU can be selected using a Boot-ROM function. The function start address is 0xBF60. The parameter description is given in the Hardware Manual in chapter 54.6 "Flash Access Mode Switching".

9.3 Flash access in CPU mode

9.3.1 Flash configuration

Flash memory map MB91F467Cx

Address									
0014:FFFFh 0014:C000h	SA6 (8KB)				SA7 (8KB)				ROMS7
0014:BFFFh 0014:8000h	SA4 (8KB)				SA5 (8KB)				
0014:7FFFh 0014:4000h	SA2 (8KB)				SA3 (8KB)				
0014:3FFFh 0014:0000h	SA0 (8KB)				SA1 (8KB)				
0013:FFFFh 0012:0000h	SA22 (64KB)				SA23 (64KB)				ROMS6
0011:FFFFh 0010:0000h	SA20 (64KB)				SA21 (64KB)				
000F:FFFFh 000E:0000h	SA18 (64KB)				SA19 (64KB)				ROMS5
000D:FFFFh 000C:0000h	SA16 (64KB)				SA17 (64KB)				ROMS4
000B:FFFFh 000A:0000h	SA14 (64KB)				SA15 (64KB)				ROMS3
0009:FFFFh 0008:0000h	SA12 (64KB)				SA13 (64KB)				ROMS2
0007:FFFFh 0006:0000h	SA10 (64KB)				SA11 (64KB)				ROMS1
0005:FFFFh 0004:0000h	SA8 (64KB)				SA9 (64KB)				ROMS0
	addr+0	addr+1	addr+2	addr+3	addr+4	addr+5	addr+6	addr+7	
16bit read/write	dat[31:16]		dat[15:0]		dat[31:16]		dat[15:0]		
32bit read/write	dat[31:0]				dat[31:0]				
64bit read	dat[63:0]								

Flash memory map MB91F465CA

Addr									
0014:FFFFh 0014:C000h	SA6 (8KB)				SA7 (8KB)				ROMS7
0014:BFFFh 0014:8000h	SA4 (8KB)				SA5 (8KB)				
0014:7FFFh 0014:4000h	SA2 (8KB)				SA3 (8KB)				
0014:3FFFh 0014:0000h	SA0 (8KB)				SA1 (8KB)				
0013:FFFFh 0012:0000h	SA22 (64KB)				SA23 (64KB)				ROMS6
0011:FFFFh 0010:0000h	SA20 (64KB)				SA21 (64KB)				
000F:FFFFh 000E:0000h	SA18 (64KB)				SA19 (64KB)				ROMS5
000D:FFFFh 000C:0000h	SA16 (64KB)				SA17 (64KB)				ROMS4
000B:FFFFh 000A:0000h	SA14 (64KB)				SA15 (64KB)				ROMS3
0009:FFFFh 0008:0000h	SA12 (64KB)				SA13 (64KB)				ROMS2
0007:FFFFh 0006:0000h	SA10 (64KB)				SA11 (64KB)				ROMS1
0005:FFFFh 0004:0000h	SA8 (64KB)				SA9 (64KB)				ROMS0
	addr+0	addr+1	addr+2	addr+3	addr+4	addr+5	addr+6	addr+7	
16bit read/write	dat[31:16]		dat[15:0]		dat[31:16]		dat[15:0]		
32bit read	dat[31:0]				dat[31:0]				
Legend	Memory not available in this area				Memory available in this area				

Flash Memory Map MB91F463CA

Address									
0014:FFFFh 0014:C000h	SA6 (8KB)				SA7 (8KB)				ROMS7
0014:BFFFh 0014:8000h	SA4 (8KB)				SA5 (8KB)				
0014:7FFFh 0014:4000h	SA2 (8KB)				SA3 (8KB)				
0014:3FFFh 0014:0000h	SA0 (8KB)				SA1 (8KB)				
0013:FFFFh 0012:0000h	SA22 (64KB)				SA23 (64KB)				ROMS6
0011:FFFFh 0010:0000h	SA20 (64KB)				SA21 (64KB)				
000F:FFFFh 000E:0000h	SA18 (64KB)				SA19 (64KB)				ROMS5
000D:FFFFh 000C:0000h	SA16 (64KB)				SA17 (64KB)				ROMS4
000B:FFFFh 000A:0000h	SA14 (64KB)				SA15 (64KB)				ROMS3
0009:FFFFh 0008:0000h	SA12 (64KB)				SA13 (64KB)				ROMS2
0007:FFFFh 0006:0000h	SA10 (64KB)				SA11 (64KB)				ROMS1
0005:FFFFh 0004:0000h	SA8 (64KB)				SA9 (64KB)				ROMS0
	addr+0	addr+1	addr+2	addr+3	addr+4	addr+5	addr+6	addr+7	
16bit read/write	dat[31:16]		dat[15:0]		dat[31:16]		dat[15:0]		
32bit read	dat[31:0]				dat[31:0]				
Legend	Memory not available in this area				Memory available in this area				

9.3.2 Flash access timing settings in CPU mode

The following tables list all settings for a given maximum Core Frequency (through the setting of CLKB or maximum clock modulation) for Flash read and write access.

Flash read timing settings (synchronous read)

Core clock (CLKB)	ATD	ALEH	EQ	WEXH	WTC	Remark
to 24 MHz	0	0	0	-	1	
to 48 MHz	0	0	1	-	2	
to 100 MHz	1	1	3	-	4	

Flash write timing settings (synchronous write)

Core clock (CLKB)	ATD	ALEH	EQ	WEXH	WTC	Remark
to 16 MHz	0	-	-	0	3	
to 32 MHz	0	-	-	0	4	
to 48 MHz	0	-	-	0	5	
to 64 MHz	1	-	-	0	6	
to 96 MHz	1	-	-	0	7	
to 100 MHz	1	-	-	1	8	

9.3.3 Address mapping from CPU to parallel programming mode

The following tables show the calculation from CPU addresses to flash macro addresses which are used in parallel programming.

Address mapping MB91F467Cx

CPU Address (addr)	Condition	Flash sectors	FA (flash address) Calculation
14:0000h to 14:FFFFh	addr[2]==0	SA0, SA2, SA4, SA6 (8 Kbyte)	$FA := addr - addr\%00:4000h + (addr\%00:4000h)/2 - (addr/2)\%4 + addr\%4 - 05:0000h$
14:0000h to 14:FFFFh	addr[2]==1	SA1, SA3, SA5, SA7 (8 Kbyte)	$FA := addr - addr\%00:4000h + (addr\%00:4000h)/2 + 00:2000h - (addr/2)\%4 + addr\%4 - 05:0000h$
04:0000h to 13:FFFFh	addr[2]==0	SA8, SA10, SA12, SA14, SA16, SA18, SA20, SA22 (64 Kbyte)	$FA := addr - addr\%02:0000 + (addr\%02:0000h)/2 - (addr/2)\%4 + addr\%4 + 0C:0000h$
04:0000h to 13:FFFFh	addr[2]==1	SA9, SA11, SA13, SA15, SA17, SA19, SA21, SA23 (64 Kbyte)	$FA := addr - addr\%02:0000h + (addr\%02:0000h)/2 + 01:0000h - (addr/2)\%4 + addr\%4 + 0C:0000h$

Note: FA result is without 20:0000h offset for parallel Flash programming.

Set offset by keeping FA[21] = 1 as described in section "Parallel Flash programming mode".

Address mapping MB91F463CA, MB91F465CA

CPU Address (addr)	Condition	Flash sectors	FA (flash address) Calculation
14:8000h to 14:FFFFh	addr[2]==0	SA4, SA6 (8 Kbyte)	$FA := addr - addr\%00:4000h + (addr\%00:4000h)/2 - (addr/2)\%4 + addr\%4 - 0D:0000h$
14:8000h to 14:FFFFh	addr[2]==1	SA5, SA7 (8 Kbyte)	$FA := addr - addr\%00:4000h + (addr\%00:4000h)/2 + 00:2000h - (addr/2)\%4 + addr\%4 - 0D:0000h$
08:0000h to 13F:FFFFh	addr[2]==0	SA12, SA14 (MB91F465CA) SA16, SA18 (64 Kbyte)	$FA := addr - addr\%02:0000 + (addr\%02:0000h)/2 - (addr/2)\%4 + addr\%4$
08:0000h to 13F:FFFFh	addr[2]==1	SA13, SA15 (MB91F465CA) SA17, SA19 (64 Kbyte)	$FA := addr - addr\%02:0000h + (addr\%02:0000h)/2 + 01:0000h - (addr/2)\%4 + addr\%4$

Note: FA result is without 10:0000h offset for parallel Flash programming.

Set offset by keeping FA[20] = 1 as described in section "Parallel Flash programming mode".

9.4 Parallel Flash programming mode

9.4.1 Flash configuration in parallel Flash programming mode

Parallel Flash programming mode (MD[2:0] = 111):

MB91F467Cx					
FA[21:0]					
003F:FFFFh 003F:0000h	SA23 (64KB)				
003E:FFFFh 003E:0000h	SA22 (64KB)				
003D:FFFFh 003D:0000h	SA21 (64KB)				
003C:FFFFh 003C:0000h	SA20 (64KB)				
003B:FFFFh 003B:0000h	SA19 (64KB)				
003A:FFFFh 003A:0000h	SA18 (64KB)				
0039:FFFFh 0039:0000h	SA17 (64KB)				
0038:FFFFh 0038:0000h	SA16 (64KB)				
0037:FFFFh 0037:0000h	SA15 (64KB)				
0036:FFFFh 0036:0000h	SA14 (64KB)				
0035:FFFFh 0035:0000h	SA13 (64KB)				
0034:FFFFh 0034:0000h	SA12 (64KB)				
0033:FFFFh 0033:0000h	SA11 (64KB)				
0032:FFFFh 0032:0000h	SA10 (64KB)				
0031:FFFFh 0031:0000h	SA9 (64KB)				
0030:FFFFh 0030:0000h	SA8 (64KB)				
002F:FFFFh 002F:E000h	SA7 (8KB)				
002F:DFFFh 002F:C000h	SA6 (8KB)				
002F:BFFFh 002F:A000h	SA5 (8KB)				
002F:9FFFh 002F:8000h	SA4 (8KB)				
002F:7FFFh 002F:6000h	SA3 (8KB)				
002F:5FFFh 002F:4000h	SA2 (8KB)				
002F:3FFFh 002F:2000h	SA1 (8KB)				
002F:1FFFh 002F:0000h	SA0 (8KB)				
16bit write mode	<table border="1"> <tr> <td>FA[1:0]=00</td> <td>FA[1:0]=10</td> </tr> <tr> <td>DQ[15:0]</td> <td>DQ[15:0]</td> </tr> </table>	FA[1:0]=00	FA[1:0]=10	DQ[15:0]	DQ[15:0]
FA[1:0]=00	FA[1:0]=10				
DQ[15:0]	DQ[15:0]				

Remark: Always keep FA[0] = 0 and FA[21] = 1

MB91F465CA					
FA[20:0]					
001F:FFFFh 001F:0000h	SA19 (64KB)				
001E:FFFFh 001E:0000h	SA18 (64KB)				
001D:FFFFh 001D:0000h	SA17 (64KB)				
001C:FFFFh 001C:0000h	SA16 (64KB)				
001B:FFFFh 001B:0000h	SA15 (64KB)				
001A:FFFFh 001A:0000h	SA14 (64KB)				
0019:FFFFh 0019:0000h	SA13 (64KB)				
0018:FFFFh 0018:0000h	SA12 (64KB)				
	SA11 (64KB)				
	SA10 (64KB)				
	SA9 (64KB)				
	SA8 (64KB)				
0017:FFFFh 0017:E000h	SA7 (8KB)				
0017:DFFFh 0017:C000h	SA6 (8KB)				
0017:BFFFh 0017:A000h	SA5 (8KB)				
0017:9FFFh 0017:8000h	SA4 (8KB)				
	SA3 (8KB)				
	SA2 (8KB)				
	SA1 (8KB)				
	SA0 (8KB)				
16bit write mode	<table border="1"> <tr> <td>FA[1:0]=00</td> <td>FA[1:0]=10</td> </tr> <tr> <td>DQ[15:0]</td> <td>DQ[15:0]</td> </tr> </table>	FA[1:0]=00	FA[1:0]=10	DQ[15:0]	DQ[15:0]
FA[1:0]=00	FA[1:0]=10				
DQ[15:0]	DQ[15:0]				
Legend	<table border="1"> <tr> <td>Memory available in this area</td> </tr> <tr> <td>Memory not available in this area</td> </tr> </table>	Memory available in this area	Memory not available in this area		
Memory available in this area					
Memory not available in this area					

Remark: Always keep FA[0] = 0 and FA[20] = 1

MB91F463CA

FA[20:0]	
001F:FFFFh 001F:0000h	SA19 (64KB)
001E:FFFFh 001E:0000h	SA18 (64KB)
001D:FFFFh 001D:0000h	SA17 (64KB)
001C:FFFFh 001C:0000h	SA16 (64KB)
	SA15 (64KB)
	SA14 (64KB)
	SA13 (64KB)
	SA12 (64KB)
	SA11 (64KB)
	SA10 (64KB)
	SA9 (64KB)
	SA8 (64KB)
0017:FFFFh 0017:E000h	SA7 (8KB)
0017:DFFFh 0017:C000h	SA6 (8KB)
0017:BFFFh 0017:A000h	SA5 (8KB)
0017:9FFFh 0017:8000h	SA4 (8KB)
	SA3 (8KB)
	SA2 (8KB)
	SA1 (8KB)
	SA0 (8KB)
	FA[1:0]=00
	FA[1:0]=10
16bit write mode	DQ[15:0]
	DQ[15:0]

Remark: Always keep FA[0] = 0 and FA[20] = 1

Legend
Memory available in this area
Memory not available in this area

9.4.2 Pin connections in parallel programming mode

Resetting after setting the MD[2:0] pins to [111] will halt CPU functioning. At this time, the Flash memory's interface circuit enables direct control of the Flash memory unit from external pins by directly linking some of the signals to GP-Ports. Please see table below for signal mapping.

In this mode, the Flash memory appears to the external pins as a stand-alone unit. This mode is generally set when writing/erasing using the parallel Flash programmer. In this mode, all operations of the 8.5 Mbits Flash memory's Auto Algorithms are available.

Correspondence between MBM29LV400TC and Flash Memory Control Signals

MBM29LV400TC External pins	FR-CPU mode	MB91F465CA, MB91F467Cx external pins			Comment
		Flash memory mode	Normal function	Pin number	
—	INITX	—	INITX	84	
RESET	—	FRSTX	NMIX	85	
—	—	MD_2	MD_2	76	Set to '1'
—	—	MD_1	MD_1	75	Set to '1'
—	—	MD_0	MD_0	74	Set to '1'
RY/BY	FMCS:RDY bit	RY/BYX	GP28_0	100	
BYTE	Internally fixed to 'H'	BYTEX	GP28_2	102	
WE	Internal control signal + control via interface circuit	WEX	GP28_5	111	
OE		OEX	GP28_4	110	
CE		CEX	GP20_0	38	
—		ATDIN	GP17_7	27	Set to '0'
—		EQIN	GP17_6	26	Set to '0'
—		TESTX	GP28_3	103	Set to '1'
—		RDYI	GP28_1	101	Set to '0'
A-1		Internal address bus	FA0	GP17_5	25
A0 to A3	FA1 to FA4		GP29_0 to GP29_3	92 to 95	
A4 to A7	FA5 to FA8		GP29_4 to GP29_7	96 to 99	
A8 to A11	FA9 to FA12		GP16_0 to GP16_3	28 to 31	
A12 to A15	FA13 to FA16		GP16_4 to GP16_7	32 to 35	
A16 to A18	FA17 to FA19		GP15_0 to GP15_2	20 to 22	
A19	FA20		GP15_3	23	Set to '1' on MB91F463CA, MB91F465CA
—	FA21		GP17_4	24	Set to '1'
DQ0 to DQ7	Internal data bus	DQ0 to DQ7	GP14_0 to GP14_7	10 to 17	
DQ8 to DQ15		DQ8 to DQ15	GP02_0 to GP02_7	2 to 9	

9.5 Power on Sequence in parallel programming mode

The flash memory can be accessed in programming mode after a certain wait time, which is needed for Security Vector fetch:

- Minimum wait time after VDD5/VDD5R power on: 2.76 ms
- Minimum wait time after INITX rising: 1.0 ms

9.6 Flash Security

9.6.1 Vector addresses

Two Flash Security Vectors (FSV1, FSV2) are located parallel to the Boot Security Vectors (BSV1, BSV2) controlling the protection functions of the Flash Security Module:

FSV1: 0x14:8000 BSV1: 0x14:8004
 FSV2: 0x14:8008 BSV2: 0x14:800C

9.6.2 Security Vector FSV1

The setting of the Flash Security Vector FSV1 is responsible for the read and write protection modes and the individual write protection of the 8 Kbytes sectors.

FSV1 (bit31 to bit16)

The setting of the Flash Security Vector FSV1 bits [31:16] is responsible for the read and write protection modes.

Explanation of the bits in the Flash Security Vector FSV1[31:16]

FSV1[31:19]	FSV1[18] Write Protection Level	FSV1[17] Write Protection	FSV1[16] Read Protection	Flash Security Mode
set all to '0'	set to '0'	set to '0'	set to '1'	Read Protection (all device modes, except INTVEC mode MD[2:0]="000")
set all to '0'	set to '0'	set to '1'	set to '0'	Write Protection (all device modes, without exception)
set all to '0'	set to '0'	set to '1'	set to '1'	Read Protection (all device modes, except INTVEC mode MD[2:0]="000") and Write Protection (all device modes)
set all to '0'	set to '1'	set to '0'	set to '1'	Read Protection (all device modes, except INTVEC mode MD[2:0]="000")
set all to '0'	set to '1'	set to '1'	set to '0'	Write Protection (all device modes, except INTVEC mode MD[2:0]="000")
set all to '0'	set to '1'	set to '1'	set to '1'	Read Protection (all device modes, except INTVEC mode MD[2:0]="000") and Write Protection (all device modes except INTVEC mode MD[2:0]="000")

FSV1 (bit15 to bit0)

The setting of the Flash Security Vector FSV1 bits [15:0] is responsible for the individual write protection of the 8 Kbytes sectors. It is only evaluated if write protection bit FSV1[17] is set.

Explanation of the bits in the Flash Security Vector FSV1[15:0]

FSV1 bit	Sector	Enable Write Protection	Disable Write Protection	Comment
FSV1[0]	SA0	set to "0"	set to "1"	Sectors available on MB91F467Cx only
FSV1[1]	SA1	set to "0"	set to "1"	
FSV1[2]	SA2	set to "0"	set to "1"	
FSV1[3]	SA3	set to "0"	set to "1"	
FSV1[4]	SA4	set to "0"	—	Write protection is mandatory!
FSV1[5]	SA5	set to "0"	set to "1"	
FSV1[6]	SA6	set to "0"	set to "1"	
FSV1[7]	SA7	set to "0"	set to "1"	
FSV1[15:8]	—	—	—	not available

Note: It is mandatory to always set the sector where the Flash Security Vectors FSV1 and FSV2 are located to write protected (here sector SA4). Otherwise it is possible to overwrite the Security Vector to a setting where it is possible to either read out the Flash content or manipulate data by writing.

See section "9.3. Flash access in CPU mode" for an overview about the sector organisation of the Flash Memory.

9.6.3 Security Vector FSV2

The setting of the Flash Security Vector FSV2 bits [31:0] is responsible for the individual write protection of the 64 KByte sectors. It is only evaluated if write protection bit FSV1[17] is set.

Explanation of the bits in the Flash Security Vector FSV2[31:0]

FSV2 bit	Sector	Enable Write Protection	Disable Write Protection	Comment
FSV2[0]	SA8	set to "0"	set to "1"	Sectors available on MB91F467Cx only
FSV2[1]	SA9	set to "0"	set to "1"	
FSV2[2]	SA10	set to "0"	set to "1"	
FSV2[3]	SA11	set to "0"	set to "1"	
FSV2[4]	SA12	set to "0"	set to "1"	Sectors available on MB91F467Cx and MB91F465CA
FSV2[5]	SA13	set to "0"	set to "1"	
FSV2[6]	SA14	set to "0"	set to "1"	
FSV2[7]	SA15	set to "0"	set to "1"	
FSV2[8]	SA16	set to "0"	set to "1"	Sectors available on MB91F467Cx, MB91F465CA, MB91F463CA
FSV2[9]	SA17	set to "0"	set to "1"	
FSV2[10]	SA18	set to "0"	set to "1"	
FSV2[11]	SA19	set to "0"	set to "1"	
FSV2[12]	SA20	set to "0"	set to "1"	Sectors available on MB91F467Cx only
FSV2[13]	SA21	set to "0"	set to "1"	
FSV2[14]	SA22	set to "0"	set to "1"	
FSV2[15]	SA23	set to "0"	set to "1"	
FSV2[31:16]	—	set to "0"	set to "1"	Sectors not available

Note : See section "9.3. Flash access in CPU mode" for an overview about the sector organisation of the Flash Memory.

10. Memory Space

The FR family has 4 Gbytes of logical address space (2^{32} addresses) available to the CPU by linear access.

Direct addressing area

The following address space area is used for I/O.

This area is called direct addressing area, and the address of an operand can be specified directly in an instruction.

The size of directly addressable area depends on the length of the data being accessed as shown below.

Byte data access : 000_H to 0FF_H

Half word access : 000_H to 1FF_H

Word data access : 000_H to 3FF_H

11. Memory Maps

11.1 MB91F467Cx, MB91F465CA

MB91F467Cx

MB91F465CA

00000000 _H	I/O (direct addressing area)
00000400 _H	I/O
00001000 _H	DMA
00002000 _H	
00004000 _H	Flash-Cache (8 KBytes)
00006000 _H	
00007000 _H	Flash memory control
00008000 _H	
0000B000 _H	Boot ROM (4 Kbytes)
0000C000 _H	CAN
0000D000 _H	
00028000 _H	D-RAM (0 wait, 32 Kbytes)
00030000 _H	ID-RAM (32 Kbytes)
00038000 _H	
00040000 _H	Flash memory (1088 Kbytes)
00150000 _H	
00180000 _H	
00500000 _H	
FFFFFFFF _H	

00000000 _H	I/O (direct addressing area)
00000400 _H	I/O
00001000 _H	DMA
00002000 _H	
00004000 _H	Flash-Cache (8 KBytes)
00006000 _H	
00007000 _H	Flash memory control
00008000 _H	
0000B000 _H	Boot ROM (4 Kbytes)
0000C000 _H	CAN
0000D000 _H	
0002C000 _H	D-RAM (0 wait, 16 Kbytes)
00030000 _H	ID-RAM (16 Kbytes)
00034000 _H	
00080000 _H	Flash memory (512 Kbytes)
00100000 _H	
00148000 _H	Flash memory (32 Kbytes)
00150000 _H	
00500000 _H	
FFFFFFFF _H	

Note: Access prohibited areas

Note: Access prohibited areas

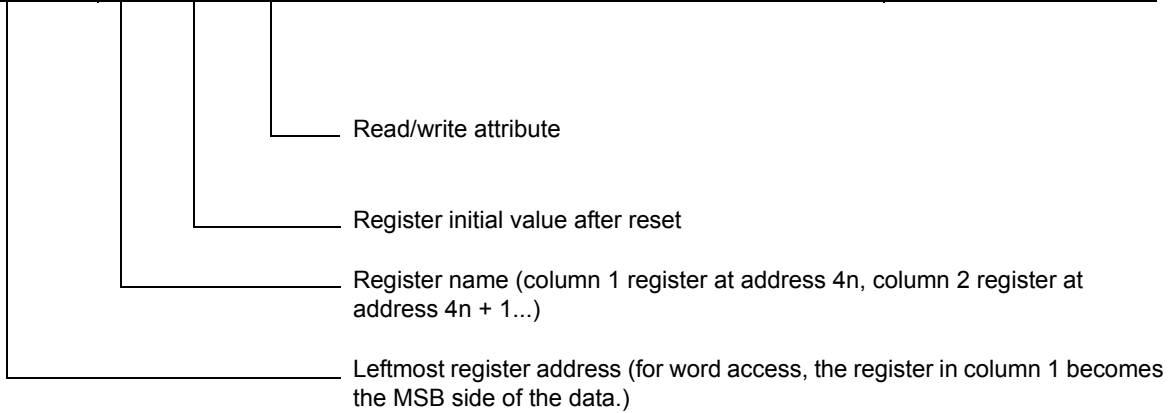
11.2 MB91F463CA

MB91F463CA	
00000000 _H	I/O (direct addressing area)
00000400 _H	I/O
00001000 _H	DMA
00002000 _H	
00005000 _H	Flash-Cache (4 KBytes)
00006000 _H	
00007000 _H	Flash memory control
00008000 _H	
0000B000 _H	Boot ROM (4 Kbytes)
0000C000 _H	CAN
0000D000 _H	
0002C000 _H	D-RAM (0 wait, 16 Kbytes)
00030000 _H	ID-RAM (8 Kbytes)
00032000 _H	
000C0000 _H	Flash memory (256 Kbytes)
00100000 _H	
00148000 _H	Flash memory (32 Kbytes)
00150000 _H	
00180000 _H	
00500000 _H	
FFFFFF _H	
Note:	Access prohibited areas

12. I/O Map

12.1 MB91F463CA, MB91F465CA, MB91F467Cx

Address	Register				Block
	+ 0	+ 1	+ 2	+ 3	
000000 _H	PDR0 [R/W] XXXXXXXX	PDR1 [R/W] XXXXXXXX	PDR2 [R/W] XXXXXXXX	PDR3 [R/W] XXXXXXXX	T-unit port data register



Note : Initial values of register bits are represented as follows:

- “ 1 ” : Initial value “ 1 ”
- “ 0 ” : Initial value “ 0 ”
- “ X ” : Initial value “ undefined ”
- “ - ” : No physical register at this location

Access is barred with an undefined data access attribute.

Address	Register				Block
	+0	+1	+2	+3	
00000 _H	Reserved	Reserved	PDR02 [R/W] XXXXXXXX	Reserved	R-bus Port Data Register
00004 _H	Reserved	Reserved	Reserved	Reserved	
00008 _H	Reserved	Reserved	Reserved	Reserved	
0000C _H	Reserved	Reserved	PDR14 [R/W] XXXXXXXX	PDR15 [R/W] ---- XXXX	
00010 _H	PDR16 [R/W] XXXXXXXX	PDR17 [R/W] XXXX ----	PDR18 [R/W] - XXX - XXX	PDR19 [R/W] - XXX - XXX	
00014 _H	PDR20 [R/W] ----- XXX	Reserved	PDR22 [R/W] -- XX - X - X	PDR23 [R/W] - XXXXXXX	
00018 _H	PDR24 [R/W] XXXXXXXX	PDR25 [R/W] XXXXXXXX	PDR26 [R/W] XXXXXXXX	PDR27 [R/W] XXXXXXXX	
0001C _H	PDR28 [R/W] - -XXXXX	PDR29 [R/W] XXXXXXXX	Reserved	Reserved	
00020 _H to 0002C _H	Reserved				Reserved
00030 _H	EIRR0 [R/W] XXXXXXXX	ENIR0 [R/W] 00000000	ELVR0 [R/W] 00000000 00000000		External Interrupt (INT 0 to INT 7)
00034 _H	EIRR1 [R/W] XXXXXXXX	ENIR1 [R/W] 00000000	ELVR1 [R/W] 00000000 00000000		External Interrupt (INT 8 to INT 14)
00038 _H	DICR [R/W] ----- 0	HRCL [R/W] 0 -- 11111	Reserved		Delayed Interrupt
0003C _H - 0004C _H	Reserved				Reserved
00050 _H	SCR02 [R/W,W] 00000000	SMR02 [R/W,W] 00000000	SSR02 [R/W,R] 00001000	RDR02/TDR02 [R/W] 00000000	LIN-USART 2
00054 _H	ESCR02 [R/W] 00000X00	ECCR02 [R/W,R,W] -00000XX	Reserved		
00058 _H to 0005C _H	Reserved				Reserved
00060 _H	SCR04 [R/W,W] 00000000	SMR04 [R/W,W] 00000000	SSR04 [R/W,R] 00001000	RDR04/TDR04 [R/W] 00000000	LIN-USART 4 with FIFO
00064 _H	ESCR04 [R/W] 00000X00	ECCR04 [R/W,R,W] -00000XX	FSR04 [R] --- 00000	FCR04 [R/W] 0001 - 000	

Address	Register				Block
	+0	+1	+2	+3	
000068 _H	SCR05 [R/W,W] 00000000	SMR05 [R/W,W] 00000000	SSR05 [R/W,R] 00001000	RDR05/TDR05 [R/W] 00000000	LIN-USART 5 with FIFO
00006C _H	ESCR05 [R/W] 00000X00	ECCR05 [R/W,R,W] -00000XX	FSR05 [R] - - - 00000	FCR05 [R/W] 0001 - 000	
000070 _H	SCR06 [R/W,W] 00000000	SMR06 [R/W,W] 00000000	SSR06 [R/W,R] 00001000	RDR06/TDR06 [R/W] 00000000	LIN-USART 6 with FIFO
000074 _H	ESCR06 [R/W] 00000X00	ECCR06 [R/W,R,W] -00000XX	FSR06 [R] - - - 00000	FCR06 [R/W] 0001 - 000	
000078 _H	SCR07 [R/W,W] 00000000	SMR07 [R/W,W] 00000000	SSR07 [R/W,R] 00001000	RDR07/TDR07 [R/W] 00000000	LIN-USART 7 with FIFO
00007C _H	ESCR07 [R/W] 00000X00	ECCR07 [R/W,R,W] -00000XX	FSR07 [R] - - - 00000	FCR07 [R/W] 0001 - 000	
000080 _H	Reserved				Reserved
000084 _H	BGR102 [R/W] 00000000	BGR002 [R/W] 00000000	Reserved	Reserved	Baud rate Generator LIN-USART 0 to 7
000088 _H	BGR104 [R/W] 00000000	BGR004 [R/W] 00000000	BGR105 [R/W] 00000000	BGR005 [R/W] 00000000	
00008C _H	BGR106 [R/W] 00000000	BGR006 [R/W] 00000000	BGR107 [R/W] 00000000	BGR007 [R/W] 00000000	
000090 _H	PWC20 [R/W] - - - - - XX XXXXXXXXX		PWC10 [R/W] - - - - - XX XXXXXXXXX		Stepper Motor 0
000094 _H	Reserved	Reserved	PWS20 [R/W] -0000000	PWS10 [R/W] - -000000	
000098 _H	PWC21 [R/W] - - - - - XX XXXXXXXXX		PWC11 [R/W] - - - - - XX XXXXXXXXX		Stepper Motor 1
00009C _H	Reserved	Reserved	PWS21 [R/W] -0000000	PWS11 [R/W] - -000000	
0000A0 _H	PWC22 [R/W] - - - - - XX XXXXXXXXX		PWC12 [R/W] - - - - - XX XXXXXXXXX		Stepper Motor 2
0000A4 _H	Reserved	Reserved	PWS22 [R/W] -0000000	PWS12 [R/W] - -000000	
0000A8 _H	PWC23 [R/W] - - - - - XX XXXXXXXXX		PWC13 [R/W] - - - - - XX XXXXXXXXX		Stepper Motor 3
0000AC _H	Reserved	Reserved	PWS23 [R/W] -0000000	PWS13 [R/W] - -000000	
0000B0 _H	PWC24 [R/W] - - - - - XX XXXXXXXXX		PWC14 [R/W] - - - - - XX XXXXXXXXX		Stepper Motor 4
0000B4 _H	Reserved	Reserved	PWS24 [R/W] -0000000	PWS14 [R/W] - -000000	

Address	Register				Block
	+0	+1	+2	+3	
0000B8 _H	PWC25 [R/W] -----XX XXXXXXXX		PWC15 [R/W] -----XX XXXXXXXX		Stepper Motor 5
0000BC _H	Reserved	Reserved	PWS25 [R/W] -0000000	PWS15 [R/W] --000000	
0000C0 _H	Reserved	PWC0 [R/W] -00000--	Reserved	PWC1 [R/W] -00000--	Stepper Motor Control 0 to 5
0000C4 _H	Reserved	PWC2 [R/W] -00000--	Reserved	PWC3 [R/W] -00000--	
0000C8 _H	Reserved	PWC4 [R/W] -00000--	Reserved	PWC5 [R/W] -00000--	
0000CC _H	Reserved				Reserved
0000D0 _H	IBCR0 [R/W] 00000000	IBSR0 [R] 00000000	ITBAH0 [R/W] -----00	ITBAL0 [R/W] 00000000	I ² C 0
0000D4 _H	ITMKH0 [R/W] 00----11	ITMKL0 [R/W] 11111111	ISMK0 [R/W] 01111111	ISBA0 [R/W] -0000000	
0000D8 _H	Reserved	IDAR0 [R/W] 00000000	ICCR0 [R/W] -0011111	Reserved	
0000DC _H to 000100 _H	Reserved				Reserved
000104 _H	GCN11 [R/W] 00110010 00010000		Reserved	GCN21 [R/W] ----0000	PPG Control 4 to 7
000108 _H	GCN12 [R/W] 00110010 00010000		Reserved	GCN22 [R/W] ----0000	PPG Control 8 to 11
000110 _H to 00012C _H	Reserved				Reserved
000130 _H	PTMR04 [R] 11111111 11111111		PCSR04 [W] XXXXXXXX XXXXXXXX		PPG 4
000134 _H	PDUT04 [W] XXXXXXXX XXXXXXXX		PCNH04 [R/W] 0000000 -	PCNL04 [R/W] 000000 - 0	
000138 _H	PTMR05 [R] 11111111 11111111		PCSR05 [W] XXXXXXXX XXXXXXXX		PPG 5
00013C _H	PDUT05 [W] XXXXXXXX XXXXXXXX		PCNH05 [R/W] 0000000 -	PCNL05 [R/W] 000000 - 0	
000140 _H	PTMR06 [R] 11111111 11111111		PCSR06 [W] XXXXXXXX XXXXXXXX		PPG 6
000144 _H	PDUT06 [W] XXXXXXXX XXXXXXXX		PCNH06 [R/W] 0000000 -	PCNL06 [R/W] 000000 - 0	
000148 _H	PTMR07 [R] 11111111 11111111		PCSR07 [W] XXXXXXXX XXXXXXXX		PPG 7
00014C _H	PDUT07 [W] XXXXXXXX XXXXXXXX		PCNH07 [R/W] 0000000 -	PCNL07 [R/W] 000000 - 0	

Address	Register				Block
	+0	+1	+2	+3	
000150 _H	PTMR08 [R] 11111111 11111111		PCSR08 [W] XXXXXXXX XXXXXXXX		PPG 8
000154 _H	PDUT08 [W] XXXXXXXX XXXXXXXX		PCNH08 [R/W] 0000000 -	PCNL08 [R/W] 000000 - 0	
000158 _H	PTMR09 [R] 11111111 11111111		PCSR09 [W] XXXXXXXX XXXXXXXX		PPG 9
00015C _H	PDUT09 [W] XXXXXXXX XXXXXXXX		PCNH09 [R/W] 0000000 -	PCNL09 [R/W] 000000 - 0	
000160 _H	PTMR10 [R] 11111111 11111111		PCSR10 [W] XXXXXXXX XXXXXXXX		PPG 10
000164 _H	PDUT10 [W] XXXXXXXX XXXXXXXX		PCNH10 [R/W] 0000000 -	PCNL10 [R/W] 000000 - 0	
000168 _H	PTMR11 [R] 11111111 11111111		PCSR11 [W] XXXXXXXX XXXXXXXX		PPG 11
00016C _H	PDUT11 [W] XXXXXXXX XXXXXXXX		PCNH11 [R/W] 0000000 -	PCNL11 [R/W] 000000 - 0	
000170 _H	P0TMCSRH [R/W] - 0-000-0	P0TMCSRL [R/W] -- -00000	P1TMCSRH [R/W] - 0000000	P1TMCSRL [R/W] 01000000	Pulse Frequency Modulator
000174 _H	P0TMRLR [W] XXXXXXXX XXXXXXXX		P0TMR [R] XXXXXXXX XXXXXXXX		
000178 _H	P1TMRLR [W] XXXXXXXX XXXXXXXX		P1TMR [R] XXXXXXXX XXXXXXXX		
00017C _H	Reserved				Reserved
000180 _H	Reserved	ICS01 [R/W] 00000000	Reserved	ICS23 [R/W] 00000000	Input Capture 0 to 3
000184 _H	IPCP0 [R] XXXXXXXX XXXXXXXX		IPCP1 [R] XXXXXXXX XXXXXXXX		
000188 _H	IPCP2 [R] XXXXXXXX XXXXXXXX		IPCP3 [R] XXXXXXXX XXXXXXXX		
00018C _H	OCS01 [R/W] --- 0 -- 00 0000 -- 00		OCS23 [R/W] --- 0 -- 00 0000 -- 00		Output Compare 0 to 3
000190 _H	OCCP0 [R/W] XXXXXXXX XXXXXXXX		OCCP1 [R/W] XXXXXXXX XXXXXXXX		
000194 _H	OCCP2 [R/W] XXXXXXXX XXXXXXXX		OCCP3 [R/W] XXXXXXXX XXXXXXXX		
000198 _H	SGCRH [R/W] 0000 -- 00	SGCRL [R/W] -- 0 -- 000	SGFR [R/W, R] XXXXXXXX XXXXXXXX		Sound Generator
00019C _H	SGAR [R/W] 00000000	Reserved	SGTR [R/W] XXXXXXXX	SGDR [R/W] XXXXXXXX	

Address	Register				Block
	+0	+1	+2	+3	
0001A0 _H	ADDERH [R/W] 00000000 00000000		ADDERL [R/W] 00000000 00000000		A/D Converter
0001A4	ADCS1 [R/W] 00000000	ADCS0 [R/W] 00000000	ADCR1 [R] 000000XX	ADCR0 [R] XXXXXXXX	
0001A8 _H	ADCT1 [R/W] 00010000	ADCT0 [R/W] 00101100	ADSCH [R/W] --- 00000	ADECH [R/W] --- 00000	
0001AC _H	Reserved	ACSR0 [R/W] - 11XXX00	Reserved	Reserved	Alarm Comparator 0
0001B0 _H	TMRLR0 [W] XXXXXXXX XXXXXXXX		TMR0 [R] XXXXXXXX XXXXXXXX		Reload Timer 0
0001B4 _H	Reserved		TMCSRH0 [R/W] --- 00000	TMCSRL0 [R/W] 0 - 000000	
0001B8 _H	TMRLR1 [W] XXXXXXXX XXXXXXXX		TMR1 [R] XXXXXXXX XXXXXXXX		Reload Timer 1
0001BC _H	Reserved		TMCSRH1 [R/W] --- 00000	TMCSRL1 [R/W] 0 - 000000	
0001C0 _H	TMRLR2 [W] XXXXXXXX XXXXXXXX		TMR2 [R] XXXXXXXX XXXXXXXX		Reload Timer 2 (PPG 4, PPG 5)
0001C4 _H	Reserved		TMCSRH2 [R/W] --- 00000	TMCSRL2 [R/W] 0 - 000000	
0001C8 _H	TMRLR3 [W] XXXXXXXX XXXXXXXX		TMR3 [R] XXXXXXXX XXXXXXXX		Reload Timer 3 (PPG 6, PPG 7)
0001CC _H	Reserved		TMCSRH3 [R/W] --- 00000	TMCSRL3 [R/W] 0 - 000000	
0001D0 _H	TMRLR4 [W] XXXXXXXX XXXXXXXX		TMR4 [R] XXXXXXXX XXXXXXXX		Reload Timer 4 (PPG 8, PPG 9)
0001D4 _H	Reserved		TMCSRH4 [R/W] --- 00000	TMCSRL4 [R/W] 0 - 000000	
0001D8 _H	TMRLR5 [W] XXXXXXXX XXXXXXXX		TMR5 [R] XXXXXXXX XXXXXXXX		Reload Timer 5 (PPG 10, PPG 11)
0001DC _H	Reserved		TMCSRH5 [R/W] --- 00000	TMCSRL5 [R/W] 0 - 000000	
0001E0 _H	TMRLR6 [W] XXXXXXXX XXXXXXXX		TMR6 [R] XXXXXXXX XXXXXXXX		Reload Timer 6 (PPG 12, PPG 13)
0001E4 _H	Reserved		TMCSRH6 [R/W] --- 00000	TMCSRL6 [R/W] 0 - 000000	

Address	Register				Block
	+0	+1	+2	+3	
0001E8 _H	TMRLR7 [W] XXXXXXXX XXXXXXXX		TMR7 [R] XXXXXXXX XXXXXXXX		Reload Timer 7 (PPG 14, PPG 15) (A/D Converter)
0001EC _H	Reserved		TMCSRH7 [R/W] --- 00000	TMCSRL7 [R/W] 0 - 000000	
0001F0 _H	TCDT0 [R/W] XXXXXXXX XXXXXXXX		Reserved	TCCS0 [R/W] 00000000	Free Running Timer 0 (ICU 0, ICU 1)
0001F4 _H	TCDT1 [R/W] XXXXXXXX XXXXXXXX		Reserved	TCCS1 [R/W] 00000000	Free Running Timer 1 (ICU 2, ICU 3)
0001F8 _H	TCDT2 [R/W] XXXXXXXX XXXXXXXX		Reserved	TCCS2 [R/W] 00000000	Free Running Timer 2 (OCU 0, OCU 1)
0001FC _H	TCDT3 [R/W] XXXXXXXX XXXXXXXX		Reserved	TCCS3 [R/W] 00000000	Free Running Timer 3 (OCU 2, OCU 3)
000200 _H	DMACA0 [R/W] 00000000 0000XXXX XXXXXXXX XXXXXXXX				DMAC
000204 _H	DMACB0 [R/W] 00000000 00000000 XXXXXXXX XXXXXXXX				
000208 _H	DMACA1 [R/W] 00000000 0000XXXX XXXXXXXX XXXXXXXX				
00020C _H	DMACB1 [R/W] 00000000 00000000 XXXXXXXX XXXXXXXX				
000210 _H	DMACA2 [R/W] 00000000 0000XXXX XXXXXXXX XXXXXXXX				
000214 _H	DMACB2 [R/W] 00000000 00000000 XXXXXXXX XXXXXXXX				
000218 _H	DMACA3 [R/W] 00000000 0000XXXX XXXXXXXX XXXXXXXX				
00021C _H	DMACB3 [R/W] 00000000 00000000 XXXXXXXX XXXXXXXX				
000220 _H	DMACA4 [R/W] 00000000 0000XXXX XXXXXXXX XXXXXXXX				
000224 _H	DMACB4 [R/W] 00000000 00000000 XXXXXXXX XXXXXXXX				
000228 _H to 00023C _H	Reserved				Reserved
000240 _H	DMACR [R/W] 0 - -0 0000	Reserved			

Address	Register				Block
	+0	+1	+2	+3	
000244 _H to 0002CC _H	Reserved				Reserved
0002D0 _H	Reserved	ICS045 [R/W] 00000000	Reserved	ICS67 [R/W] 00000000	Input Capture 4 to 7
0002D4 _H	IPCP4 [R] XXXXXXXX XXXXXXXX		IPCP5 [R] XXXXXXXX XXXXXXXX		
0002D8 _H	IPCP6 [R] XXXXXXXX XXXXXXXX		IPCP7 [R] XXXXXXXX XXXXXXXX		
0002DC _H to 0002EC _H	Reserved				Reserved
0002F0 _H	TCDT4 [R/W] XXXXXXXX XXXXXXXX		Reserved	TCCS4 [R/W] 00000000	Free Running Timer 4 (ICU 4, ICU 5)
0002F4 _H	TCDT5 [R/W] XXXXXXXX XXXXXXXX		Reserved	TCCS5 [R/W] 00000000	Free Running Timer 5 (ICU 6, ICU 7)
0002F8 _H	TCDT6 [R/W] XXXXXXXX XXXXXXXX		Reserved	TCCS6 [R/W] 00000000	Free Running Timer 6
0002FC _H	TCDT7 [R/W] XXXXXXXX XXXXXXXX		Reserved	TCCS7 [R/W] 00000000	Free Running Timer 7
000300 _H	UDRC1 [W] 00000000	UDRC0 [W] 00000000	UDCR1 [R] 00000000	UDCR0 [R] 00000000	Up/Down Counter 0
000304 _H	UDCCH0 [R/W] 00000000	UDCCL0 [R/W] 00000000	Reserved	UDCS0 [R/W] 00000000	
000308 _H to 00030C _H	Reserved				Reserved
000310 _H	UDRC3 [W] 00000000	UDRC2 [W] 00000000	UDCR3 [R] 00000000	UDCR2 [R] 00000000	Up/Down Counter 2 to 3
000314 _H	UDCCH2 [R/W] 00000000	UDCCL2 [R/W] 00000000	Reserved	UDCS2 [R/W] 00000000	
000318 _H	UDCCH3 [R/W] 00000000	UDCCL3 [R/W] 00000000	Reserved	UDCS3 [R/W] 00000000	
00031C _H	Reserved				Reserved
000320 _H	GCN13 [R/W] 00110010 00010000		Reserved	GCN23 [R/W] ---- 0000	PPG Control 12 to 15
000324 _H to 00032C _H	Reserved				Reserved
000330 _H	PTMR12 [R] 11111111 11111111		PCSR12 [W] XXXXXXXX XXXXXXXX		PPG 12
000334 _H	PDUT12 [W] XXXXXXXX XXXXXXXX		PCNH12 [R/W] 0000000 -	PCNL12 [R/W] 000000 - 0	

Address	Register				Block
	+0	+1	+2	+3	
000338 _H	PTMR13 [R] 11111111 11111111		PCSR13 [W] XXXXXXXX XXXXXXXX		PPG 13
00033C _H	PDUT13 [W] XXXXXXXX XXXXXXXX		PCNH13 [R/W] 0000000 -	PCNL13 [R/W] 000000 - 0	
000340 _H	PTMR14 [R] 11111111 11111111		PCSR14 [W] XXXXXXXX XXXXXXXX		PPG 14
000344 _H	PDUT14 [W] XXXXXXXX XXXXXXXX		PCNH14 [R/W] 0000000 -	PCNL14 [R/W] 000000 - 0	
000348 _H	PTMR15 [R] 11111111 11111111		PCSR15 [W] XXXXXXXX XXXXXXXX		PPG 15
00034C _H	PDUT15 [W] XXXXXXXX XXXXXXXX		PCNH15 [R/W] 0000000 -	PCNL15 [R/W] 000000 - 0	
000350 _H to 000364 _H	Reserved				Reserved
000368 _H	IBCR2 [R/W] 00000000	IBSR2 [R] 00000000	ITBAH2 [R/W] ----- 00	ITBAL2 [R/W] 00000000	I ² C 2
00036C _H	ITMKH2 [R/W] 00 ---- 11	ITMKL2 [R/W] 11111111	ISMK2 [R/W] 01111111	ISBA2 [R/W] - 0000000	
000370 _H	Reserved	IDAR2 [R/W] 00000000	ICCR2 [R/W] - 0011111	Reserved	
000374 _H	IBCR3 [R/W] 00000000	IBSR3 [R] 00000000	ITBAH3 [R/W] ----- 00	ITBAL3 [R/W] 00000000	I ² C 3
000378 _H	ITMKH3 [R/W] 00 ---- 11	ITMKL3 [R/W] 11111111	ISMK3 [R/W] 01111111	ISBA3 [R/W] - 0000000	
00037C _H	Reserved	IDAR3 [R/W] 00000000	ICCR3 [R/W] - 0011111	Reserved	
000380 _H to 00038C _H	Reserved				Reserved
000390 _H	ROMS [R] 11111111 00000000		Reserved		ROM Select Register
000394 _H to 0003EC _H	Reserved				Reserved
0003F0 _H	BSD0 [W] XXXXXXXX XXXXXXXX XXXXXXXX XXXXXXXX				Bit Search Module
0003F4 _H	BSD1 [R/W] XXXXXXXX XXXXXXXX XXXXXXXX XXXXXXXX				
0003F8 _H	BSDC [W] XXXXXXXX XXXXXXXX XXXXXXXX XXXXXXXX				
0003FC _H	BSRR [R] XXXXXXXX XXXXXXXX XXXXXXXX XXXXXXXX				
000400 _H to 00043C _H	Reserved				Reserved

Address	Register				Block
	+0	+1	+2	+3	
000440 _H	ICR00 [R/W] ---11111	ICR01 [R/W] ---11111	ICR02 [R/W] ---11111	ICR03 [R/W] ---11111	Interrupt Controller
000444 _H	ICR04 [R/W] ---11111	ICR05 [R/W] ---11111	ICR06 [R/W] ---11111	ICR07 [R/W] ---11111	
000448 _H	ICR08 [R/W] ---11111	ICR09 [R/W] ---11111	ICR10 [R/W] ---11111	ICR11 [R/W] ---11111	
00044C _H	ICR12 [R/W] ---11111	ICR13 [R/W] ---11111	ICR14 [R/W] ---11111	ICR15 [R/W] ---11111	
000450 _H	ICR16 [R/W] ---11111	ICR17 [R/W] ---11111	ICR18 [R/W] ---11111	ICR19 [R/W] ---11111	
000454 _H	ICR20 [R/W] ---11111	ICR21 [R/W] ---11111	ICR22 [R/W] ---11111	ICR23 [R/W] ---11111	
000458 _H	ICR24 [R/W] ---11111	ICR25 [R/W] ---11111	ICR26 [R/W] ---11111	ICR27 [R/W] ---11111	
00045C _H	ICR28 [R/W] ---11111	ICR29 [R/W] ---11111	ICR30 [R/W] ---11111	ICR31 [R/W] ---11111	
000460 _H	ICR32 [R/W] ---11111	ICR33 [R/W] ---11111	ICR34 [R/W] ---11111	ICR35 [R/W] ---11111	
000464 _H	ICR36 [R/W] ---11111	ICR37 [R/W] ---11111	ICR38 [R/W] ---11111	ICR39 [R/W] ---11111	
000468 _H	ICR40 [R/W] ---11111	ICR41 [R/W] ---11111	ICR42 [R/W] ---11111	ICR43 [R/W] ---11111	
00046C _H	ICR44 [R/W] ---11111	ICR45 [R/W] ---11111	ICR46 [R/W] ---11111	ICR47 [R/W] ---11111	
000470 _H	ICR48 [R/W] ---11111	ICR49 [R/W] ---11111	ICR50 [R/W] ---11111	ICR51 [R/W] ---11111	
000474 _H	ICR52 [R/W] ---11111	ICR53 [R/W] ---11111	ICR54 [R/W] ---11111	ICR55 [R/W] ---11111	
000478 _H	ICR56 [R/W] ---11111	ICR57 [R/W] ---11111	ICR58 [R/W] ---11111	ICR59 [R/W] ---11111	
00047C _H	ICR60 [R/W] ---11111	ICR61 [R/W] ---11111	ICR62 [R/W] ---11111	ICR63 [R/W] ---11111	
000480 _H	RSRR [R/W] 10000000	STCR [R/W] 00110011	TBCR [R/W] 00XXX – 00	CTBR [W] XXXXXXXXX	Clock Controller
000484 _H	CLKR [R/W] ---- 0000	WPR [W] XXXXXXXXX	DIVR0 [R/W] 00000011	DIVR1 [R/W] 00000000	
000488 _H	CTEST [R/W] XXXX00XX	Reserved	Reserved	Reserved	C-Unit Test (hidden)
00048C _H	PLLDIVM [R/W] ---- 0000	PLLDIVN [R/W] -- 000000	PLLDIVG [R/W] ---- 0000	PLLMULG [W] 00000000	PLL Interface
000490 _H	PLLCTRL [R/W] ---- 0000	Reserved	Reserved	Reserved	

Address	Register				Block
	+0	+1	+2	+3	
000494 _H	OSCC1 [R/W] ----- 010	OSCS1 [R/W] 00001111	OSCC2 [R/W] ----- 010	OSCS2 [R/W] 00001111	Main/Sub Oscillator Control
000498 _H	PORTEN [R/W] ----- 00	Reserved	Reserved	Reserved	Port Input Enable Control
00049C _H	Reserved				Reserved
0004A0 _H	Reserved	WTCER [R/W] ----- 00	WTCR [R/W] 00000000 000 - 00 - 0		Real Time Clock (Watch Timer)
0004A4 _H	Reserved	WTBR [R/W] --- XXXXX XXXXXXXX XXXXXXXX			
0004A8 _H	WTHR [R/W] --- 00000	WTMR [R/W] -- 000000	WTSR [R/W] -- 000000	Reserved	
0004AC _H	CSVTR [R/W] --- 00010	CSVCR [R/W] 00011100	CSCFG [R/W] 0X000000	CMCFG [R/W] 00000000	Clock- Supervisor / Selector / Monitor
0004B0 _H	CUCR [R/W] ----- 0 -- 00		CUTD [R/W] 10000000 00000000		Calibration of Sub Clock
0004B4 _H	CUTR1 [R] ----- 00000000		CUTR2 [R] 00000000 00000000		
0004B8 _H	CMPR [R/W] -- 000010 11111101		Reserved	CMCR [R/W] - 001 -- 00	Clock Modulator
0004BC _H	CMT1 [R/W] 00000000 1 --- 0000		CMT2 [R/W] -- 000000 -- 000000		
0004C0 _H	CANPRE [R/W] 0 --- 0000	CANCKD [R/W] ----- 000*1	Reserved	Reserved	CAN Clock Control
0004C4 _H	LVSEL [R/W] 00000111	LVDET [R/W] 0000 0 - 00	HWWDE [R/W] ----- 00	HWWD [R/W,W] 00011000	Low Voltage Detection/ Hardware Watchdog
0004C8 _H	OSCRH [R/W] 000 -- 001	OSCRL [R/W] ----- 000	WPCRH [R/W] 00 --- 000	WPCRL [R/W] ----- 00	Main-/Sub-Oscillation Stabilisation Timer
0004CC _H	OSCCR [R/W] ----- 00	Reserved	REGSEL [R/W] -- 000110	REGCTR [R/W] --- 0 -- 00	Main- Oscillation Standby Control Main/Subregulator Control
0004D0 _H to 0007F8 _H	Reserved				Reserved
0007FC _H	Reserved	MODR [W] XXXXXXXX	Reserved	Reserved	Mode Register
000800 _H to 000BFC _H	Reserved				Reserved
000C00 _H	TVCTW [W] XXXXXXXX	TVCTR [R] -- XXXXXX	Reserved	IOS [R/W] 00000000	I-Unit Test (hidden)
000C04 _H to 000CFC _H	Reserved				Reserved

Address	Register				Block
	+0	+1	+2	+3	
000D00 _H	Reserved	Reserved	PDRD02 [R] XXXXXXXX	Reserved	R-bus Port Data Direct Read Register
000D04 _H	Reserved	Reserved	Reserved	Reserved	
000D08 _H	Reserved	Reserved	Reserved	Reserved	
000D0C _H	Reserved	Reserved	PDRD14 [R] XXXXXXXX	PDRD15 [R] ---- XXXX	
000D10 _H	PDRD16 [R] XXXXXXXX	PDRD17 [R] XXXX ----	PDRD18 [R] - XXX - XXX	PDRD19 [R] - XXX - XXX	
000D14 _H	PDRD20 [R] ----- XXX	Reserved	PDRD22 [R] -- XX - X - X	PDRD23 [R] - XXXXXXX	
000D18 _H	PDRD24 [R] XXXXXXXX	PDRD25 [R] XXXXXXXX	PDRD26 [R] XXXXXXXX	PDRD27 [R] XXXXXXXX	
000D1C _H	PDRD28 [R] -- XXXXX	PDRD29 [R] XXXXXXXX	Reserved	Reserved	
000D20 _H to 000D3C _H	Reserved				Reserved
000D40 _H	Reserved	Reserved	DDR02 [R/W] 00000000	Reserved	R-bus Port Direction Register
000D44 _H	Reserved	Reserved	Reserved	Reserved	
000D48 _H	Reserved	Reserved	Reserved	Reserved	
000D4C _H	Reserved	Reserved	DDR14 [R/W] 00000000	DDR15 [R/W] ---- 0000	
000D50 _H	DDR16 [R/W] 00000000	DDR17 [R/W] 0000 ----	DDR18 [R/W] - 000 - 000	DDR19 [R/W] - 000 - 000	
000D54 _H	DDR20 [R/W] ----- 000	Reserved	DDR22 [R/W] -- 00 - 0 - 0	DDR23 [R/W] - 0000000	
000D58 _H	DDR24 [R/W] 00000000	DDR25 [R/W] 00000000	DDR26 [R/W] 00000000	DDR27 [R/W] 00000000	
000D5C _H	DDR28 [R/W] -- 00000	DDR29 [R/W] 00000000	Reserved	Reserved	
000D60 _H to 000D7C _H	Reserved				Reserved

Address	Register				Block
	+0	+1	+2	+3	
000D80 _H	Reserved	Reserved	Reserved	Reserved	R-bus Port Function Register
000D84 _H	Reserved	Reserved	Reserved	Reserved	
000D88 _H	Reserved	Reserved	Reserved	Reserved	
000D8C _H	Reserved	Reserved	PFR14 [R/W] 00000000	PFR15 [R/W] ---- 0000	
000D90 _H	PFR16 [R/W] 00000000	PFR17 [R/W] 0000 ----	PFR18 [R/W] - 000 - 000	PFR19 [R/W] - 000 - 000	
000D94 _H	PFR20 [R/W] ----- 000	Reserved	PFR22 [R/W] -- 00 - 0 - 0	PFR23 [R/W] - 000000	
000D98 _H	PFR24 [R/W] 00000000	PFR25 [R/W] 00000000	PFR26 [R/W] 00000000	PFR27 [R/W] 00000000	
000D9C _H	PFR28 [R/w] -- 00000	PFR29 [R/W] 00000000	Reserved	Reserved	
000DA0 _H to 000DBC _H	Reserved				Reserved
000DC0 _H	Reserved	Reserved	Reserved	Reserved	R-bus Extra Port Function Register
000DC4 _H	Reserved	Reserved	Reserved	Reserved	
000DC8 _H	Reserved	Reserved	Reserved	Reserved	
000DCC _H	Reserved	Reserved	EPFR14 [R/W] 00000000	EPFR15 [R/W] ---- 0000	
000DD0 _H	EPFR16 [R/W] 0000 ----	Reserved	EPFR18 [R/W] - 000 - 000	EPFR19 [R/W] - 0 --- 0 --	
000DD4 _H	EPFR20 [R/W] ----- 000	Reserved	Reserved	Reserved	
000DD8 _H	Reserved	Reserved	EPFR26 [R/W] 00000000	EPFR27 [R/W] 00000000	
000DDC _H	Reserved	Reserved	Reserved	Reserved	
000DE0 _H to 000DFC _H	Reserved				Reserved

Address	Register				Block
	+0	+1	+2	+3	
000E00 _H	Reserved	Reserved	PODR02 [R/W] 00000000	Reserved	R-bus Port Output Drive Select Register
000E04 _H	Reserved	Reserved	Reserved	Reserved	
000E08 _H	Reserved	Reserved	Reserved	Reserved	
000E0C _H	Reserved	Reserved	PODR14 [R/W] 00000000	PODR15 [R/W] ---- 0000	
000E10 _H	PODR16 [R/W] 00000000	PODR17 [R/W] 0000 ----	PODR18 [R/W] - 000 - 000	PODR19 [R/W] - 000 - 000	
000E14 _H	PODR20 [R/W] ----- 000	Reserved	PODR22 [R/W] -- 00 - 0 - 0	PODR23 [R/W] - 00000000	
000E18 _H	PODR24 [R/W] 00000000	PODR25 [R/W] 00000000	PODR26 [R/W] 00000000	PODR27 [R/W] 00000000	
000E1C _H	PODR28 [R/W] -- 000000	PODR29 [R/W] 00000000	Reserved	Reserved	
000E20 _H to 000E3C _H	Reserved				Reserved
000E40 _H	Reserved	Reserved	PILR02 [R/W] 00000000	Reserved	R-bus Port Input Level Select Register
000E44 _H	Reserved	Reserved	Reserved	Reserved	
000E48 _H	Reserved	Reserved	Reserved	Reserved	
000E4C _H	Reserved	Reserved	PILR14 [R/W] 00000000	PILR15 [R/W] ---- 0000	
000E50 _H	PILR16 [R/W] 00000000	PILR17 [R/W] 0000 ----	PILR18 [R/W] - 000 - 000	PILR19 [R/W] - 000 - 000	
000E54 _H	PILR20 [R/W] ----- 000	Reserved	PILR22 [R/W] -- 00 - 0 - 0	PILR23 [R/W] - 00000000	
000E58 _H	PILR24 [R/W] 00000000	PILR25 [R/W] 00000000	PILR26 [R/W] 00000000	PILR27 [R/W] 00000000	
000E5C _H	PILR28 [R/W] -- 000000	PILR29 [R/W] 00000000	Reserved	Reserved	
000E60 _H to 000E7C _H	Reserved				Reserved

Address	Register				Block
	+0	+1	+2	+3	
000E80 _H	Reserved	Reserved	EPILR02 [R/W] 00000000	Reserved	R-bus Extra Port Input Level Select Register
000E84 _H	Reserved	Reserved	Reserved	Reserved	
000E88 _H	Reserved	Reserved	Reserved	Reserved	
000E8C _H	Reserved	Reserved	EPILR14 [R/W] 00000000	EPILR15 [R/W] ---- 0000	
000E90 _H	EPILR16 [R/W] 00000000	EPILR17 [R/W] 0000 ----	EPILR18 [R/W] - 000 - 000	EPILR19 [R/W] - 000 - 000	
000E94 _H	EPILR20 [R/W] ----- 000	Reserved	EPILR22 [R/W] -- 00 - 0 - 0	EPILR23 [R/W] - 00000000	
000E98 _H	EPILR24 [R/W] 00000000	EPILR25 [R/W] 00000000	EPILR26 [R/W] 00000000	EPILR27 [R/W] 00000000	
000E9C _H	EPILR28 [R/W] -- 000000	EPILR29 [R/W] 00000000	Reserved	Reserved	
000EA0 _H to 000EBC _H	Reserved				Reserved
000EC0 _H	Reserved	Reserved	PPER02 [R/W] 00000000	Reserved	R-bus Port Pull-Up/Down Enable Register
000EC4 _H	Reserved	Reserved	Reserved	Reserved	
000EC8 _H	Reserved	Reserved	Reserved	Reserved	
000ECC _H	Reserved	Reserved	PPER14 [R/W] 00000000	PPER15 [R/W] ---- 0000	
000ED0 _H	PPER16 [R/W] 00000000	PPER17 [R/W] 0000 ----	PPER18 [R/W] - 000 - 000	PPER19 [R/W] - 000 - 000	
000ED4 _H	PPER20 [R/W] ----- 000	Reserved	PPER22 [R/W] -- 00 - 0 - 0	PPER23 [R/W] - 00000000	
000ED8 _H	PPER24 [R/W] 00000000	PPER25 [R/W] 00000000	PPER26 [R/W] 00000000	PPER27 [R/W] 00000000	
000EDC _H	PPER28 [R/W] -- 000000	PPER29 [R/W] 00000000	Reserved	Reserved	
000EE0 _H to 000EFC _H	Reserved				Reserved

Address	Register				Block
	+0	+1	+2	+3	
000F00 _H	Reserved	Reserved	PPCR02 [R/W] 11111111	Reserved	R-bus Port Pull-Up/Down Control Register
000F04 _H	Reserved	Reserved	Reserved	Reserved	
000F08 _H	Reserved	Reserved	Reserved	Reserved	
000F0C _H	Reserved	Reserved	PPCR14 [R/W] 11111111	PPCR15 [R/W] ---- 1111	
000F10 _H	PPCR16 [R/W] 11111111	PPCR17 [R/W] 1111 ----	PPCR18 [R/W] - 111 - 111	PPCR19 [R/W] - 111 - 111	
000F14 _H	PPCR20 [R/W] ----- 111	Reserved	PPCR22 [R/W] -- 11 - 1 - 1	PPCR23 [R/W] -1111111	
000F18 _H	PPCR24 [R/W] 11111111	PPCR25 [R/W] 11111111	PPCR26 [R/W] 11111111	PPCR27 [R/W] 11111111	
000F1C _H	PPCR28 [R/W] -- 11111	PPCR29 [R/W] 11111111	Reserved	Reserved	
000F20 _H to 000F3C _H	Reserved				Reserved
001000 _H	DMASA0 [R/W] XXXXXXXX XXXXXXXX XXXXXXXX XXXXXXXX				DMAC
001004 _H	DMADA0 [R/W] XXXXXXXX XXXXXXXX XXXXXXXX XXXXXXXX				
001008 _H	DMASA1 [R/W] XXXXXXXX XXXXXXXX XXXXXXXX XXXXXXXX				
00100C _H	DMADA1 [R/W] XXXXXXXX XXXXXXXX XXXXXXXX XXXXXXXX				
001010 _H	DMASA2 [R/W] XXXXXXXX XXXXXXXX XXXXXXXX XXXXXXXX				
001014 _H	DMADA2 [R/W] XXXXXXXX XXXXXXXX XXXXXXXX XXXXXXXX				
001018 _H	DMASA3 [R/W] XXXXXXXX XXXXXXXX XXXXXXXX XXXXXXXX				
00101C _H	DMADA3 [R/W] XXXXXXXX XXXXXXXX XXXXXXXX XXXXXXXX				
001020 _H	DMASA4 [R/W] XXXXXXXX XXXXXXXX XXXXXXXX XXXXXXXX				Reserved
001024 _H	DMADA4 [R/W] XXXXXXXX XXXXXXXX XXXXXXXX XXXXXXXX				
001028 _H to 001FFC _H	Reserved				Reserved
002000 _H to 006FFC _H	MB91F467Cx Flash-cache size is 8 Kbytes : 004000 _H to 005FFC _H MB91F465CA Flash-cache size is 8 Kbytes : 004000 _H to 005FFC _H MB91F463CA Flash-cache size is 4 Kbytes : 005000 _H to 005FFC _H				Flash-cache / I-RAM area

Address	Register				Block
	+0	+1	+2	+3	
007000 _H	FMCS [R/W] 01101000	FMCR [R] --- 00000	FCHCR [R/W] ----- 00 10000011		Flash Memory/ Flash-cache/ I-RAM Control Register
007004 _H	FMWT [R/W] 11111111 11111111		FMWT2 [R] - 001 ----	FMPS [R/W] ----- 000	
007008 _H	FMAC [R] 00000000 00000000 00000000 00000000				
00700C _H	FCHA0 [R/W] ----- --- 00000 00000000 00000000				Flash-cache Non- cacheable area setting Reg- ister
007010 _H	FCHA1 [R/W] ----- --- 00000 00000000 00000000				
007014 _H to 007FFCH	Reserved				Reserved
008000 _H to 00BFFC _H	MB91F467Cx Boot-ROM size is 4 Kbytes : 00B000 _H to 00BFFC _H MB91F465CA Boot-ROM size is 4 Kbytes : 00B000 _H to 00BFFC _H MB91F463CA Boot-ROM size is 4 Kbytes : 00B000 _H to 00BFFC _H (instruction access is 1 wait cycle, data access is 1 wait cycle)				Boot ROM area
00C000 _H	CTRLR0 [R/W] 00000000 00000001		STATR0 [R/W] 00000000 00000000		CAN 0 Control Register
00C004 _H	ERRCNT0 [R] 00000000 00000000		BTR0 [R/W] 00100011 00000001		
00C008 _H	INTR0 [R] 00000000 00000000		TESTR0 [R/W] 00000000 X0000000		
00C00C _H	BRPE0 [R/W] 00000000 00000000		Reserved		
00C010 _H	IF1CREQ0 [R/W] 00000000 00000001		IF1CMSK0 [R/W] 00000000 00000000		CAN 0 IF 1 Register
00C014 _H	IF1MSK20 [R/W] 11111111 11111111		IF1MSK10 [R/W] 11111111 11111111		
00C018 _H	IF1ARB20 [R/W] 00000000 00000000		IF1ARB10 [R/W] 00000000 00000000		
00C01C _H	IF1MCTR0 [R/W] 00000000 00000000		Reserved		
00C020 _H	IF1DTA10 [R/W] 00000000 00000000		IF1DTA20 [R/W] 00000000 00000000		
00C024 _H	IF1DTB10 [R/W] 00000000 00000000		IF1DTB20 [R/W] 00000000 00000000		
00C028 _H to 00C02C _H	Reserved				
00C030 _H	IF1DTA20 [R/W] 00000000 00000000		IF1DTA10 [R/W] 00000000 00000000		
00C034 _H	IF1DTB20 [R/W] 00000000 00000000		IF1DTB10 [R/W] 00000000 00000000		

Address	Register				Block
	+0	+1	+2	+3	
00C038 _H to 00C03C _H	Reserved				
00C040 _H	IF2CREQ0 [R/W] 00000000 00000001		IF2CMSK0 [R/W] 00000000 00000000		CAN 0 IF 2 Register
00C044 _H	IF2MSK20 [R/W] 11111111 11111111		IF2MSK10 [R/W] 11111111 11111111		
00C048 _H	IF2ARB20 [R/W] 00000000 00000000		IF2ARB10 [R/W] 00000000 00000000		
00C04C _H	IF2MCTR0 [R/W] 00000000 00000000		Reserved		
00C050 _H	IF2DTA10 [R/W] 00000000 00000000		IF2DTA20 [R/W] 00000000 00000000		
00C054 _H	IF2DTB10 [R/W] 00000000 00000000		IF2DTB20 [R/W] 00000000 00000000		
00C058 _H to 00C05C _H	Reserved				
00C060 _H	IF2DTA20 [R/W] 00000000 00000000		IF2DTA10 [R/W] 00000000 00000000		
00C064 _H	IF2DTB20 [R/W] 00000000 00000000		IF2DTB10 [R/W] 00000000 00000000		
00C068 _H to 00C07C _H	Reserved				
00C080 _H	TREQR20 [R] 00000000 00000000		TREQR10 [R] 00000000 00000000		CAN 0 Status Flags
00C084 _H to 00C08C _H	Reserved				
00C090 _H	NEWDT20 [R] 00000000 00000000		NEWDT10 [R] 00000000 00000000		
00C094 _H to 00C09C _H	Reserved				
00C0A0 _H	INTPND20 [R] 00000000 00000000		INTPND10 [R] 00000000 00000000		
00C0A4 _H to 00C0AC _H	Reserved				
00C0B0 _H	MSGVAL20 [R] 00000000 00000000		MSGVAL10 [R] 00000000 00000000		
00C0B4 _H to 00C0FC _H	Reserved				

Address	Register				Block
	+0	+1	+2	+3	
00C100 _H	CTRLR1 [R/W] 00000000 00000001		STATR1 [R/W] 00000000 00000000		CAN 1 Control Register
00C104 _H	ERRCNT1 [R] 00000000 00000000		BTR1 [R/W] 00100011 00000001		
00C108 _H	INTR1 [R] 00000000 00000000		TESTR1 [R/W] 00000000 X0000000		
00C10C _H	BRPE1 [R/W] 00000000 00000000		Reserved		
00C110 _H	IF1CREQ1 [R/W] 00000000 00000001		IF1CMSK1 [R/W] 00000000 00000000		CAN 1 IF 1 Register
00C114 _H	IF1MSK21 [R/W] 11111111 11111111		IF1MSK11 [R/W] 11111111 11111111		
00C118 _H	IF1ARB21 [R/W] 00000000 00000000		IF1ARB11 [R/W] 00000000 00000000		
00C11C _H	IF1MCTR1 [R/W] 00000000 00000000		Reserved		
00C120 _H	IF1DTA11 [R/W] 00000000 00000000		IF1DTA21 [R/W] 00000000 00000000		
00C124 _H	IF1DTB11 [R/W] 00000000 00000000		IF1DTB21 [R/W] 00000000 00000000		
00C128 _H to 00C12C _H	Reserved				
00C130 _H	IF1DTA21 [R/W] 00000000 00000000		IF1DTA11 [R/W] 00000000 00000000		
00C134 _H	IF1DTB21 [R/W] 00000000 00000000		IF1DTB11 [R/W] 00000000 00000000		
00C138 _H to 00C13C _H	Reserved				

Address	Register				Block
	+0	+1	+2	+3	
00C140 _H	IF2CREQ1 [R/W] 00000000 00000001		IF2CMSK1 [R/W] 00000000 00000000		CAN 1 IF 2 Register
00C144 _H	IF2MSK21 [R/W] 11111111 11111111		IF2MSK11 [R/W] 11111111 11111111		
00C148 _H	IF2ARB21 [R/W] 00000000 00000000		IF2ARB11 [R/W] 00000000 00000000		
00C14C _H	IF2MCTR1 [R/W] 00000000 00000000		Reserved		
00C150 _H	IF2DTA11 [R/W] 00000000 00000000		IF2DTA21 [R/W] 00000000 00000000		
00C154 _H	IF2DTB11 [R/W] 00000000 00000000		IF2DTB21 [R/W] 00000000 00000000		
00C158 _H to 00C15C _H	Reserved				
00C160 _H	IF2DTA21 [R/W] 00000000 00000000		IF2DTA11 [R/W] 00000000 00000000		
00C164 _H	IF2DTB21 [R/W] 00000000 00000000		IF2DTB11 [R/W] 00000000 00000000		
00C168 _H to 00C17C _H	Reserved				
00C180 _H	TREQR21 [R] 00000000 00000000		TREQR11 [R] 00000000 00000000		CAN 1 Status Flags
00C184 _H to 00C18C _H	Reserved				
00C190 _H	NEWDT21 [R] 00000000 00000000		NEWDT11 [R] 00000000 00000000		
00C194 _H to 00C19C _H	Reserved				
00C1A0 _H	INTPND21 [R] 00000000 00000000		INTPND11 [R] 00000000 00000000		
00C1A4 _H to 00C1AC _H	Reserved				Reserved
00C1B0 _H	MSGVAL21 [R] 00000000 00000000		MSGVAL11 [R] 00000000 00000000		CAN 1 Status Flags
00C1B4 _H to 00C1FC _H	Reserved				Reserved
00C200 _H	CTRLR2 [R/W] 00000000 00000001		STATR2 [R/W] 00000000 00000000		CAN 2 Control Register
00C204 _H	ERRCNT2 [R] 00000000 00000000		BTR2 [R/W] 00100011 00000001		
00C208 _H	INTR2 [R] 00000000 00000000		TESTR2 [R/W] 00000000 X0000000		
00C20C _H	BRPE2 [R/W] 00000000 00000000		Reserved		

Address	Register				Block
	+0	+1	+2	+3	
00C210 _H	IF1CREQ2 [R/W] 00000000 00000001		IF1CMSK2 [R/W] 00000000 00000000		CAN 2 IF 1 Register
00C214 _H	IF1MSK22 [R/W] 11111111 11111111		IF1MSK12 [R/W] 11111111 11111111		
00C218 _H	IF1ARB22 [R/W] 00000000 00000000		IF1ARB12 [R/W] 00000000 00000000		
00C21C _H	IF1MCTR2 [R/W] 00000000 00000000		Reserved		
00C220 _H	IF1DTA12 [R/W] 00000000 00000000		IF1DTA22 [R/W] 00000000 00000000		
00C224 _H	IF1DTB12 [R/W] 00000000 00000000		IF1DTB22 [R/W] 00000000 00000000		
00C228 _H to 00C22C _H	Reserved				
00C230 _H	IF1DTA22 [R/W] 00000000 00000000		IF1DTA12 [R/W] 00000000 00000000		
00C234 _H	IF1DTB22 [R/W] 00000000 00000000		IF1DTB12 [R/W] 00000000 00000000		
00C238 _H to 00C23C _H	Reserved				Reserved
00C240 _H	IF2CREQ2 [R/W] 00000000 00000001		IF2CMSK2 [R/W] 00000000 00000000		CAN 2 IF 2 Register
00C244 _H	IF2MSK22 [R/W] 11111111 11111111		IF2MSK12 [R/W] 11111111 11111111		
00C248 _H	IF2ARB22 [R/W] 00000000 00000000		IF2ARB12 [R/W] 00000000 00000000		
00C24C _H	IF2MCTR2 [R/W] 00000000 00000000		Reserved		
00C250 _H	IF2DTA12 [R/W] 00000000 00000000		IF2DTA22 [R/W] 00000000 00000000		
00C254 _H	IF2DTB12 [R/W] 00000000 00000000		IF2DTB22 [R/W] 00000000 00000000		
00C258 _H to 00C25C _H	Reserved				
00C260 _H	IF2DTA22 [R/W] 00000000 00000000		IF2DTA12 [R/W] 00000000 00000000		
00C264 _H	IF2DTB22 [R/W] 00000000 00000000		IF2DTB12 [R/W] 00000000 00000000		
00C268 _H to 00C27C _H	Reserved				Reserved

Address	Register				Block
	+0	+1	+2	+3	
00C280 _H	TREQR22 [R] 00000000 00000000		TREQR12 [R] 00000000 00000000		CAN 2 Status Flags
00C284 _H to 00C28C _H	Reserved				
00C290 _H	NEWDT22 [R] 00000000 00000000		NEWDT12 [R] 00000000 00000000		
00C294 _H to 00C29C _H	Reserved				
00C2A0 _H	INTPND22 [R] 00000000 00000000		INTPND12 [R] 00000000 00000000		
00C2A4 _H to 00C2AC _H	Reserved				
00C2B0 _H	MSGVAL22 [R] 00000000 00000000		MSGVAL12 [R] 00000000 00000000		CAN 2 Status Flags
00C2B4 _H to 00EFC _H	Reserved				Reserved
00F000 _H	BCTRL [R/W] ----- 11111100 00000000				EDSU / MPU
00F004 _H	BSTAT [R/W] ----- 000 00000000 10 -- 0000				
00F008 _H	BIAC [R] ----- 00000000 00000000				
00F00C _H	BOAC [R] ----- 00000000 00000000				
00F010 _H	BIRQ [R/W] ----- 00000000 00000000				
00F014 _H to 00F01C _H	Reserved				
00F020 _H	BCR0 [R/W] ----- 00000000 00000000 00000000				
00F024 _H	BCR1 [R/W] ----- 00000000 00000000 00000000				
00F028 _H	BCR2 [R/W] ----- 00000000 00000000 00000000				
00F02C _H	BCR3 [R/W] ----- 00000000 00000000 00000000				
00F030 _H to 00F07C _H	Reserved				Reserved

Address	Register				Block	
	+0	+1	+2	+3		
00F080 _H	BAD0 [R/W] XXXXXXXX XXXXXXXX XXXXXXXX XXXXXXXX				EDSU / MPU	
00F084 _H	BAD1 [R/W] XXXXXXXX XXXXXXXX XXXXXXXX XXXXXXXX					
00F088 _H	BAD2 [R/W] XXXXXXXX XXXXXXXX XXXXXXXX XXXXXXXX					
00F08C _H	BAD3 [R/W] XXXXXXXX XXXXXXXX XXXXXXXX XXXXXXXX					
00F090 _H	BAD4 [R/W] XXXXXXXX XXXXXXXX XXXXXXXX XXXXXXXX					
00F094 _H	BAD5 [R/W] XXXXXXXX XXXXXXXX XXXXXXXX XXXXXXXX					
00F098 _H	BAD6 [R/W] XXXXXXXX XXXXXXXX XXXXXXXX XXXXXXXX				EDSU / MPU	
00F09C _H	BAD7 [R/W] XXXXXXXX XXXXXXXX XXXXXXXX XXXXXXXX					
00F0A0 _H	BAD8 [R/W] XXXXXXXX XXXXXXXX XXXXXXXX XXXXXXXX					
00F0A4 _H	BAD9 [R/W] XXXXXXXX XXXXXXXX XXXXXXXX XXXXXXXX					
00F0A8 _H	BAD10 [R/W] XXXXXXXX XXXXXXXX XXXXXXXX XXXXXXXX					
00F0AC _H	BAD11 [R/W] XXXXXXXX XXXXXXXX XXXXXXXX XXXXXXXX					
00F0B0 _H	BAD12 [R/W] XXXXXXXX XXXXXXXX XXXXXXXX XXXXXXXX				EDSU / MPU	
00F0B4 _H	BAD13 [R/W] XXXXXXXX XXXXXXXX XXXXXXXX XXXXXXXX					
00F0B8 _H	BAD14 [R/W] XXXXXXXX XXXXXXXX XXXXXXXX XXXXXXXX					
00F0BC _H	BAD15 [R/W] XXXXXXXX XXXXXXXX XXXXXXXX XXXXXXXX					
00F0C0 _H to 01FFFC _H	Reserved					Reserved
020000 _H to 02FFFC _H	MB91F467Cx D-RAM size is 32 Kbytes : 028000 _H to 02FFFC _H MB91F465CA D-RAM size is 16 Kbytes : 02C000 _H to 02FFFC _H MB91F463CA D-RAM size is 16 Kbytes : 02C000 _H to 02FFFC _H (data access is 0 wait cycles)					D-RAM area
030000 _H to 03FFFC _H	MB91F467Cx ID-RAM size is 32 Kbytes : 030000 _H to 037FFC _H MB91F465CA ID-RAM size is 16 Kbytes : 030000 _H to 033FFC _H MB91F463CA ID-RAM size is 8 Kbytes : 030000 _H to 031FFC _H (instruction access is 0 wait cycles, data access is 1 wait cycle)				ID-RAM area	

*1 : depends on the number of available CAN channels

12.2 Flash memory and external bus area

32bit read/write	dat[31:0]				dat[31:0]				Block
16bit read/write	dat[31:16]		dat[15:0]		dat[31:16]		dat[15:0]		
Address	Register								
	+ 0	+ 1	+ 2	+ 3	+ 4	+ 5	+ 6	+ 7	
040000 _H to 05FFF8 _H	SA8 (64KB, MB91F467Cx); Reserved (MB91F465CA, MB91F463CA)				SA9 (64KB, MB91F467Cx); Reserved (MB91F465CA, MB91F463CA)				ROMS0
060000 _H to 07FFF8 _H	SA10 (64KB, MB91F467Cx); Reserved (MB91F465CA, MB91F463CA)				SA11 (64KB, MB91F467Cx); Reserved (MB91F465CA, MB91F463CA)				ROMS1
080000 _H to 09FFF8 _H	SA12 (64KB, MB91F467Cx, MB91F465CA); Reserved (MB91F463CA)				SA13 (64KB, MB91F467Cx, MB91F465CA); Reserved (MB91F463CA)				ROMS2
0A0000 _H to 0BFFF8 _H	SA14 (64KB, MB91F467Cx, MB91F465CA); Reserved (MB91F463CA)				SA15 (64KB, MB91F467Cx, MB91F465CA); Reserved (MB91F463CA)				ROMS3
0C0000 _H to 0DFFF8 _H	SA16 (64KB)				SA17 (64KB)				ROMS4
0E0000 _H to 0FFFF0 _H	SA18 (64KB)				SA19 (64KB)				ROMS5
0FFFF8 _H	FMV [R] 06 00 00 00H				FRV [R] 00 00 BF F8H				
100000 _H to 11FFF8 _H	SA20 (64KB, MB91F467Cx); Reserved (MB91F465CA, MB91F463CA)				SA21 (64KB, MB91F467Cx); Reserved (MB91F465CA, MB91F463CA)				ROMS6
120000 _H to 13FFF8 _H	SA22 (64KB, MB91F467Cx); Reserved (MB91F465CA, MB91F463CA)				SA23 (64KB, MB91F467Cx); Reserved (MB91F465CA, MB91F463CA)				
140000 _H to 143FF8 _H	SA0 (8KB, MB91F467Cx); Reserved (MB91F465CA, MB91F463CA)				SA1 (8KB, MB91F467Cx); Reserved (MB91F465CA, MB91F463CA)				ROMS7
144000 _H to 17FF8 _H	SA2 (8KB, MB91F467Cx); Reserved (MB91F465CA, MB91F463CA)				SA3 (8KB, MB91F467Cx); Reserved (MB91F465CA, MB91F463CA)				
148000 _H to 14BFF8 _H	SA4 (8KB)				SA5 (8KB)				
14C000 _H to 14FFF8 _H	SA6 (8KB)				SA7 (8KB)				
150000 _H to 17FFF8 _H	Reserved								

32bit read/write	dat[31:0]				dat[31:0]				
16bit read/write	dat[31:16]		dat[15:0]		dat[31:16]		dat[15:0]		
Address	Register								Block
	+ 0	+ 1	+ 2	+ 3	+ 4	+ 5	+ 6	+ 7	
180000 _H to 1BFFF8 _H	Reserved								ROMS8
1C0000 _H to 1FFFF8 _H									ROMS9
200000 _H to 27FFF8 _H									ROMS10
280000 _H to 2FFFF8 _H									ROMS11
300000 _H to 37FFF8 _H									ROMS12
380000 _H to 3FFFF8 _H									ROMS13
400000 _H to 47FFF8 _H									ROMS14
480000 _H to 4FFFF8 _H									ROMS15

Notes: Write operations to address 0FFFF8_H and 0FFFFC_H are not possible. When reading these addresses, the values shown above will be read.

On MB91F465CA and MB91F463CA, write access to the flash is only possible in 16-bit mode.

13. Interrupt Vector Table

Interrupt	Interrupt number		Interrupt level ^{*1}		Interrupt vector ^{*2}		DMA Resource number
	Decimal	Hexa-decimal	Setting Register	Register address	Offset	Default Vector address	
Reset	0	00	-	-	0x3FC	0x000FFFFC	
Mode vector	1	01	-	-	0x3F8	0x000FFFF8	
System reserved	2	02	-	-	0x3F4	0x000FFFF4	
System reserved	3	03	-	-	0x3F0	0x000FFFF0	
System reserved	4	04	-	-	0x3EC	0x000FFFE4	
CPU supervisor mode (INT #5 instruction) ^{*6}	5	05	-	-	0x3E8	0x000FFFE8	
Memory Protection exception ^{*6}	6	06	-	-	0x3E4	0x000FFFE4	
Co-processor fault trap ^{*5}	7	07	-	-	0x3E0	0x000FFFE0	
Co-processor error trap ^{*5}	8	08	-	-	0x3DC	0x000FFFD4	
INTE instruction ^{*5}	9	09	-	-	0x3D8	0x000FFFD8	
Instruction break exception ^{*5}	10	0A	-	-	0x3D4	0x000FFFD4	
Operand break trap ^{*5}	11	0B	-	-	0x3D0	0x000FFFD0	
Step trace trap ^{*5}	12	0C	-	-	0x3CC	0x000FFFC4	
NMI interrupt (tool) ^{*5}	13	0D	-	-	0x3C8	0x000FFFC8	
Undefined instruction exception	14	0E	-	-	0x3C4	0x000FFFC4	
NMI request	15	0F	F _H fixed		0x3C0	0x000FFFC0	
External Interrupt 0	16	10	ICR00	0x440	0x3BC	0x000FFFB4	0, 16
External Interrupt 1	17	11			0x3B8	0x000FFFB8	1, 17
External Interrupt 2	18	12	ICR01	0x441	0x3B4	0x000FFFB4	2, 18
External Interrupt 3	19	13			0x3B0	0x000FFFB0	3, 19
External Interrupt 4	20	14	ICR02	0x442	0x3AC	0x000FFFA4	20
External Interrupt 5	21	15			0x3A8	0x000FFFA8	21
External Interrupt 6	22	16	ICR03	0x443	0x3A4	0x000FFFA4	22
External Interrupt 7	23	17			0x3A0	0x000FFFA0	23
External Interrupt 8	24	18	ICR04	0x444	0x39C	0x000FFF9C	
External Interrupt 9	25	19			0x398	0x000FFF98	
External Interrupt 10	26	1A	ICR05	0x445	0x394	0x000FFF94	
External Interrupt 11	27	1B			0x390	0x000FFF90	
External Interrupt 12	28	1C	ICR06	0x446	0x38C	0x000FFF8C	
External Interrupt 13	29	1D			0x388	0x000FFF88	

Interrupt	Interrupt number		Interrupt level ^{*1}		Interrupt vector ^{*2}		DMA Resource number
	Decimal	Hexa-decimal	Setting Register	Register address	Offset	Default Vector address	
External Interrupt 14	30	1E	ICR07	0x447	0x384	0x000FFF84	
Reserved	31	1F			0x380	0x000FFF80	
Reload Timer 0	32	20	ICR08	0x448	0x37C	0x000FFF7C	4, 32
Reload Timer 1	33	21			0x378	0x000FFF78	5, 33
Reload Timer 2	34	22	ICR09	0x449	0x374	0x000FFF74	34
Reload Timer 3	35	23			0x370	0x000FFF70	35
Reload Timer 4	36	24	ICR10	0x44A	0x36C	0x000FFF6C	36
Reload Timer 5	37	25			0x368	0x000FFF68	37
Reload Timer 6	38	26	ICR11	0x44B	0x364	0x000FFF64	38
Reload Timer 7	39	27			0x360	0x000FFF60	39
Free Run Timer 0	40	28	ICR12	0x44C	0x35C	0x000FFF5C	40
Free Run Timer 1	41	29			0x358	0x000FFF58	41
Free Run Timer 2	42	2A	ICR13	0x44D	0x354	0x000FFF54	42
Free Run Timer 3	43	2B			0x350	0x000FFF50	43
Free Run Timer 4	44	2C	ICR14	0x44E	0x34C	0x000FFF4C	44
Free Run Timer 5	45	2D			0x348	0x000FFF48	45
Free Run Timer 6	46	2E	ICR15	0x44F	0x344	0x000FFF44	46
Free Run Timer 7	47	2F			0x340	0x000FFF40	47
CAN 0	48	30	ICR16	0x450	0x33C	0x000FFF3C	
CAN 1	49	31			0x338	0x000FFF38	
CAN 2	50	32	ICR17	0x451	0x334	0x000FFF34	
Reserved	51	33			0x330	0x000FFF30	
Reserved	52	34	ICR18	0x452	0x32C	0x000FFF2C	
Reserved	53	35			0x328	0x000FFF28	
Reserved	54	36	ICR19	0x453	0x324	0x000FFF24	6, 48
Reserved	55	37			0x320	0x000FFF20	7, 49
Reserved	56	38	ICR20	0x454	0x31C	0x000FFF1C	8, 50
Reserved	57	39			0x318	0x000FFF18	9, 51
USART (LIN) 2 RX	58	3A	ICR21	0x455	0x314	0x000FFF14	52
USART (LIN) 2 TX	59	3B			0x310	0x000FFF10	53
Reserved	60	3C	ICR22	0x456	0x30C	0x000FFF0C	54
Reserved	61	3D			0x308	0x000FFF08	55
System reserved	62	3E	ICR23 ^{*4}	0x457	0x304	0x000FFF04	
Delayed Interrupt	63	3F			0x300	0x000FFF00	
System reserved ^{*3}	64	40	(ICR24)	(0x458)	0x2FC	0x000FFEFC	
System reserved ^{*3}	65	41			0x2F8	0x000FFEFC	

Interrupt	Interrupt number		Interrupt level *1		Interrupt vector *2		DMA Resource number
	Decimal	Hexa-decimal	Setting Register	Register address	Offset	Default Vector address	
USART (LIN, FIFO) 4 RX	66	42	ICR25	0x459	0x2F4	0x00FFEF4	10, 56
USART (LIN, FIFO) 4 TX	67	43			0x2F0	0x00FFEF0	11, 57
USART (LIN, FIFO) 5 RX	68	44	ICR26	0x45A	0x2EC	0x00FFEEC	12, 58
USART (LIN, FIFO) 5 TX	69	45			0x2E8	0x00FFEE8	13, 59
USART (LIN, FIFO) 6 RX	70	46	ICR27	0x45B	0x2E4	0x00FFEE4	60
USART (LIN, FIFO) 6 TX	71	47			0x2E0	0x00FFEE0	61
USART (LIN, FIFO) 7 RX	72	48	ICR28	0x45C	0x2DC	0x00FFEDC	62
USART (LIN, FIFO) 7 TX	73	49			0x2D8	0x00FFED8	63
I ² C 0 / I ² C 2	74	4A	ICR29	0x45D	0x2D4	0x00FFED4	
I ² C 3	75	4B			0x2D0	0x00FFED0	
Reserved	76	4C	ICR30	0x45E	0x2CC	0x00FFEC C	64
Reserved	77	4D			0x2C8	0x00FFEC8	65
Reserved	78	4E	ICR31	0x45F	0x2C4	0x00FFEC4	66
Reserved	79	4F			0x2C0	0x00FFEC0	67
Reserved	80	50	ICR32	0x460	0x2BC	0x00FFEB C	68
Reserved	81	51			0x2B8	0x00FFEB8	69
Reserved	82	52	ICR33	0x461	0x2B4	0x00FFEB4	70
Reserved	83	53			0x2B0	0x00FFEB0	71
Reserved	84	54	ICR34	0x462	0x2AC	0x00FFEAC	72
Reserved	85	55			0x2A8	0x00FFEA8	73
Reserved	86	56	ICR35	0x463	0x2A4	0x00FFEA4	74
Reserved	87	57			0x2A0	0x00FFEA0	75
Reserved	88	58	ICR36	0x464	0x29C	0x00FFE9 C	76
Reserved	89	59			0x298	0x00FFE98	77
Reserved	90	5A	ICR37	0x465	0x294	0x00FFE94	78
Reserved	91	5B			0x290	0x00FFE90	79
Input Capture 0	92	5C	ICR38	0x466	0x28C	0x00FFE8 C	80
Input Capture 1	93	5D			0x288	0x00FFE88	81
Input Capture 2	94	5E	ICR39	0x467	0x284	0x00FFE84	82
Input Capture 3	95	5F			0x280	0x00FFE80	83
Input Capture 4	96	60	ICR40	0x468	0x27C	0x00FFE7 C	84
Input Capture 5	97	61			0x278	0x00FFE78	85
Input Capture 6	98	62	ICR41	0x469	0x274	0x00FFE74	86
Input Capture 7	99	63			0x270	0x00FFE70	87
Output Compare 0	100	64	ICR42	0x46A	0x26C	0x00FFE6 C	88
Output Compare 1	101	65			0x268	0x00FFE68	89

Interrupt	Interrupt number		Interrupt level *1		Interrupt vector *2		DMA Resource number
	Decimal	Hexa-decimal	Setting Register	Register address	Offset	Default Vector address	
Output Compare 2	102	66	ICR43	0x46B	0x264	0x000FFE64	90
Output Compare 3	103	67			0x260	0x000FFE60	91
Reserved	104	68	ICR44	0x46C	0x25C	0x000FFE5C	92
Reserved	105	69			0x258	0x000FFE58	93
Reserved	106	6A	ICR45	0x46D	0x254	0x000FFE54	94
Reserved	107	6B			0x250	0x000FFE50	95
Sound Generator	108	6C	ICR46	0x46E	0x24C	0x000FFE4C	
Phase Frequ. Modulator	109	6D			0x248	0x000FFE48	
System reserved	110	6E	ICR47 *4	0x46F	0x244	0x000FFE44	
System reserved	111	6F			0x240	0x000FFE40	
Reserved	112	70	ICR48	0x470	0x23C	0x000FFE3C	15, 96
Reserved	113	71			0x238	0x000FFE38	97
Reserved	114	72	ICR49	0x471	0x234	0x000FFE34	98
Reserved	115	73			0x230	0x000FFE30	99
Prog. Pulse Gen. 4	116	74	ICR50	0x472	0x22C	0x000FFE2C	100
Prog. Pulse Gen. 5	117	75			0x228	0x000FFE28	101
Prog. Pulse Gen. 6	118	76	ICR51	0x473	0x224	0x000FFE24	102
Prog. Pulse Gen. 7	119	77			0x220	0x000FFE20	103
Prog. Pulse Gen. 8	120	78	ICR52	0x474	0x21C	0x000FFE1C	104
Prog. Pulse Gen. 9	121	79			0x218	0x000FFE18	105
Prog. Pulse Gen. 10	122	7A	ICR53	0x475	0x214	0x000FFE14	106
Prog. Pulse Gen. 11	123	7B			0x210	0x000FFE10	107
Prog. Pulse Gen. 12	124	7C	ICR54	0x476	0x20C	0x000FFE0C	108
Prog. Pulse Gen. 13	125	7D			0x208	0x000FFE08	109
Prog. Pulse Gen. 14	126	7E	ICR55	0x477	0x204	0x000FFE04	110
Prog. Pulse Gen. 15	127	7F			0x200	0x000FFE00	111
Up/Down Counter 0	128	80	ICR56	0x478	0x1FC	0x000FFDFC	
Reserved	129	81			0x1F8	0x000FFDF8	
Up/Down Counter 2	130	82	ICR57	0x479	0x1F4	0x000FFDF4	
Up/Down Counter 3	131	83			0x1F0	0x000FFDF0	
Real Time Clock	132	84	ICR58	0x47A	0x1EC	0x000FFDEC	
Calibration Unit	133	85			0x1E8	0x000FFDE8	
A/D Converter 0	134	86	ICR59	0x47B	0x1E4	0x000FFDE4	14, 112
Reserved	135	87			0x1E0	0x000FFDE0	
Alarm Comparator 0	136	88	ICR60	0x47C	0x1DC	0x000FFDDC	
Reserved	137	89			0x1D8	0x000FFDD8	

Interrupt	Interrupt number		Interrupt level *1		Interrupt vector *2		DMA Resource number
	Decimal	Hexa-decimal	Setting Register	Register address	Offset	Default Vector address	
Low Voltage Detection	138	8A	ICR61	0x47D	0x1D4	0x000FFDD4	
Reserved	139	8B			0x1D0	0x000FFDD0	
Timebase Overflow	140	8C	ICR62	0x47E	0x1CC	0x000FFDCC	
PLL Clock Gear	141	8D			0x1C8	0x000FFDC8	
DMA Controller	142	8E	ICR63	0x47F	0x1C4	0x000FFDC4	
Main/Sub OSC stability wait	143	8F			0x1C0	0x000FFDC0	
Security vector	144	90	-	-	0x1BC	0x000FFDBC	
Used by the INT instruction.	145 to 255	91 to FF	-	-	0x1B8 to 0x000	0x000FFDB8 to 0x000FFC00	

Notes:

- *1: The Interrupt Control Registers (ICRs) are located in the interrupt controller and set the interrupt level for each interrupt request. An ICR is provided for each interrupt request.
- *2: The vector address for each EIT (exception, interrupt or trap) is calculated by adding the listed offset to the table base register value (TBR). The TBR specifies the top of the EIT vector table. The addresses listed in the table are for the default TBR value (0x000FFC00). The TBR is initialized to this value by a reset. After execution of the internal boot ROM TBR is set to 0x000FFC00.
- *3: Used by REALOS
- *4: ICR23 and ICR47 can be exchanged by setting the REALOS compatibility bit (addr 0x0C03 : IOS[0])
- *5: System reserved
- *6: Memory Protection Unit (MPU) support

14. Recommended Settings

14.1 PLL and Clockgear settings

Please note that for MB91F460C series the core base clock frequencies are valid in the 1.8V operation mode of the Main regulator and Flash.

Recommended PLL divider and clockgear settings

PLL Input (CLK) [MHz]	Frequency Parameter		Clockgear Parameter		PLL Output (X) [MHz]	Core Base Clock [MHz]	Remarks
	DIVM	DIVN	DIVG	MULG			
4	2	25	16	24	200	100	
4	2	24	16	24	192	96	
4	2	23	16	24	184	92	
4	2	22	16	24	176	88	
4	2	21	16	20	168	84	
4	2	20	16	20	160	80	
4	2	19	16	20	152	76	
4	2	18	16	20	144	72	
4	2	17	16	16	136	68	
4	2	16	16	16	128	64	
4	2	15	16	16	120	60	
4	2	14	16	16	112	56	
4	2	13	16	12	104	52	
4	2	12	16	12	96	48	
4	2	11	16	12	88	44	
4	4	10	16	24	160	40	
4	4	9	16	24	144	36	
4	4	8	16	24	128	32	
4	4	7	16	24	112	28	
4	6	6	16	24	144	24	
4	8	5	16	28	160	20	
4	10	4	16	32	160	16	
4	12	3	16	32	144	12	

14.2 Clock Modulator settings

The following table shows all possible settings for the Clock Modulator in a base clock frequency range from 32MHz up to 88MHz. The Flash access time settings need to be adjusted according to Fmax while the PLL and clockgear settings should be set according to base clock frequency.

Clock Modulator settings, frequency range and supported supply voltage

Modulation Degree (k)	Random No (N)	CMPR [hex]	Baseclk [MHz]	Fmin [MHz]	Fmax [MHz]
1	3	026F	88	79.5	98.5
1	3	026F	84	76.1	93.8
1	3	026F	80	72.6	89.1
1	5	02AE	80	68.7	95.8
2	3	046E	80	68.7	95.8
1	3	026F	76	69.1	84.5
1	5	02AE	76	65.3	90.8
1	7	02ED	76	62	98.1
2	3	046E	76	65.3	90.8
3	3	066D	76	62	98.1
1	3	026F	72	65.5	79.9
1	5	02AE	72	62	85.8
1	7	02ED	72	58.8	92.7
2	3	046E	72	62	85.8
3	3	066D	72	58.8	92.7
1	3	026F	68	62	75.3
1	5	02AE	68	58.7	80.9
1	7	02ED	68	55.7	87.3
1	9	032C	68	53	95
2	3	046E	68	58.7	80.9
2	5	04AC	68	53	95
3	3	066D	68	55.7	87.3
4	3	086C	68	53	95
1	3	026F	64	58.5	70.7
1	5	02AE	64	55.3	75.9
1	7	02ED	64	52.5	82
1	9	032C	64	49.9	89.1
1	11	036B	64	47.6	97.6
2	3	046E	64	55.3	75.9
2	5	04AC	64	49.9	89.1
3	3	066D	64	52.5	82
4	3	086C	64	49.9	89.1
5	3	0A6B	64	47.6	97.6

Modulation Degree (k)	Random No (N)	CMPR [hex]	Baseclk [MHz]	Fmin [MHz]	Fmax [MHz]
1	3	026F	60	54.9	66.1
1	5	02AE	60	51.9	71
1	7	02ED	60	49.3	76.7
1	9	032C	60	46.9	83.3
1	11	036B	60	44.7	91.3
2	3	046E	60	51.9	71
2	5	04AC	60	46.9	83.3
3	3	066D	60	49.3	76.7
4	3	086C	60	46.9	83.3
5	3	0A6B	60	44.7	91.3
1	3	026F	56	51.4	61.6
1	5	02AE	56	48.6	66.1
1	7	02ED	56	46.1	71.4
1	9	032C	56	43.8	77.6
1	11	036B	56	41.8	84.9
1	13	03AA	56	39.9	93.8
2	3	046E	56	48.6	66.1
2	5	04AC	56	43.8	77.6
2	7	04EA	56	39.9	93.8
3	3	066D	56	46.1	71.4
3	5	06AA	56	39.9	93.8
4	3	086C	56	43.8	77.6
5	3	0A6B	56	41.8	84.9
6	3	0C6A	56	39.9	93.8
1	3	026F	52	47.8	57
1	5	02AE	52	45.2	61.2
1	7	02ED	52	42.9	66.1
1	9	032C	52	40.8	71.8
1	11	036B	52	38.8	78.6
1	13	03AA	52	37.1	86.8
1	15	03E9	52	35.5	96.9
2	3	046E	52	45.2	61.2
2	5	04AC	52	40.8	71.8
2	7	04EA	52	37.1	86.8
3	3	066D	52	42.9	66.1
3	5	06AA	52	37.1	86.8
4	3	086C	52	40.8	71.8

Modulation Degree (k)	Random No (N)	CMPR [hex]	Baseclk [MHz]	Fmin [MHz]	Fmax [MHz]
5	3	0A6B	52	38.8	78.6
6	3	0C6A	52	37.1	86.8
7	3	0E69	52	35.5	96.9
1	3	026F	48	44.2	52.5
1	5	02AE	48	41.8	56.4
1	7	02ED	48	39.6	60.9
1	9	032C	48	37.7	66.1
1	11	036B	48	35.9	72.3
1	13	03AA	48	34.3	79.9
1	15	03E9	48	32.8	89.1
2	3	046E	48	41.8	56.4
2	5	04AC	48	37.7	66.1
2	7	04EA	48	34.3	79.9
3	3	066D	48	39.6	60.9
3	5	06AA	48	34.3	79.9
4	3	086C	48	37.7	66.1
5	3	0A6B	48	35.9	72.3
6	3	0C6A	48	34.3	79.9
7	3	0E69	48	32.8	89.1
1	3	026F	44	40.6	48.1
1	5	02AE	44	38.4	51.6
1	7	02ED	44	36.4	55.7
1	9	032C	44	34.6	60.4
1	11	036B	44	33	66.1
1	13	03AA	44	31.5	73
1	15	03E9	44	30.1	81.4
2	3	046E	44	38.4	51.6
2	5	04AC	44	34.6	60.4
2	7	04EA	44	31.5	73
2	9	0528	44	28.9	92.1
3	3	066D	44	36.4	55.7
3	5	06AA	44	31.5	73
4	3	086C	44	34.6	60.4
4	5	08A8	44	28.9	92.1
5	3	0A6B	44	33	66.1
6	3	0C6A	44	31.5	73
7	3	0E69	44	30.1	81.4

Modulation Degree (k)	Random No (N)	CMPR [hex]	Baseclk [MHz]	Fmin [MHz]	Fmax [MHz]
8	3	1068	44	28.9	92.1
1	3	026F	40	37	43.6
1	5	02AE	40	34.9	46.8
1	7	02ED	40	33.1	50.5
1	9	032C	40	31.5	54.8
1	11	036B	40	30	59.9
1	13	03AA	40	28.7	66.1
1	15	03E9	40	27.4	73.7
2	3	046E	40	34.9	46.8
2	5	04AC	40	31.5	54.8
2	7	04EA	40	28.7	66.1
2	9	0528	40	26.3	83.3
3	3	066D	40	33.1	50.5
3	5	06AA	40	28.7	66.1
3	7	06E7	40	25.3	95.8
4	3	086C	40	31.5	54.8
4	5	08A8	40	26.3	83.3
5	3	0A6B	40	30	59.9
6	3	0C6A	40	28.7	66.1
7	3	0E69	40	27.4	73.7
8	3	1068	40	26.3	83.3
9	3	1267	40	25.3	95.8
1	3	026F	36	33.3	39.2
1	5	02AE	36	31.5	42
1	7	02ED	36	29.9	45.3
1	9	032C	36	28.4	49.2
1	11	036B	36	27.1	53.8
1	13	03AA	36	25.8	59.3
1	15	03E9	36	24.7	66.1
2	3	046E	36	31.5	42
2	5	04AC	36	28.4	49.2
2	7	04EA	36	25.8	59.3
2	9	0528	36	23.7	74.7
3	3	066D	36	29.9	45.3
3	5	06AA	36	25.8	59.3
3	7	06E7	36	22.8	85.8
4	3	086C	36	28.4	49.2

Modulation Degree (k)	Random No (N)	CMPR [hex]	Baseclk [MHz]	Fmin [MHz]	Fmax [MHz]
4	5	08A8	36	23.7	74.7
5	3	0A6B	36	27.1	53.8
6	3	0C6A	36	25.8	59.3
7	3	0E69	36	24.7	66.1
8	3	1068	36	23.7	74.7
9	3	1267	36	22.8	85.8
1	3	026F	32	29.7	34.7
1	5	02AE	32	28	37.3
1	7	02ED	32	26.6	40.2
1	9	032C	32	25.3	43.6
1	11	036B	32	24.1	47.7
1	13	03AA	32	23	52.5
1	15	03E9	32	22	58.6
2	3	046E	32	28	37.3
2	5	04AC	32	25.3	43.6
2	7	04EA	32	23	52.5
2	9	0528	32	21.1	66.1
2	11	0566	32	19.5	89.1
3	3	066D	32	26.6	40.2
3	5	06AA	32	23	52.5
3	7	06E7	32	20.3	75.9
4	3	086C	32	25.3	43.6
4	5	08A8	32	21.1	66.1
5	3	0A6B	32	24.1	47.7
5	5	0AA6	32	19.5	89.1
6	3	0C6A	32	23	52.5
7	3	0E69	32	22	58.6
8	3	1068	32	21.1	66.1
9	3	1267	32	20.3	75.9
10	3	1466	32	19.5	89.1

15. Electrical Characteristics

15.1 Absolute maximum ratings

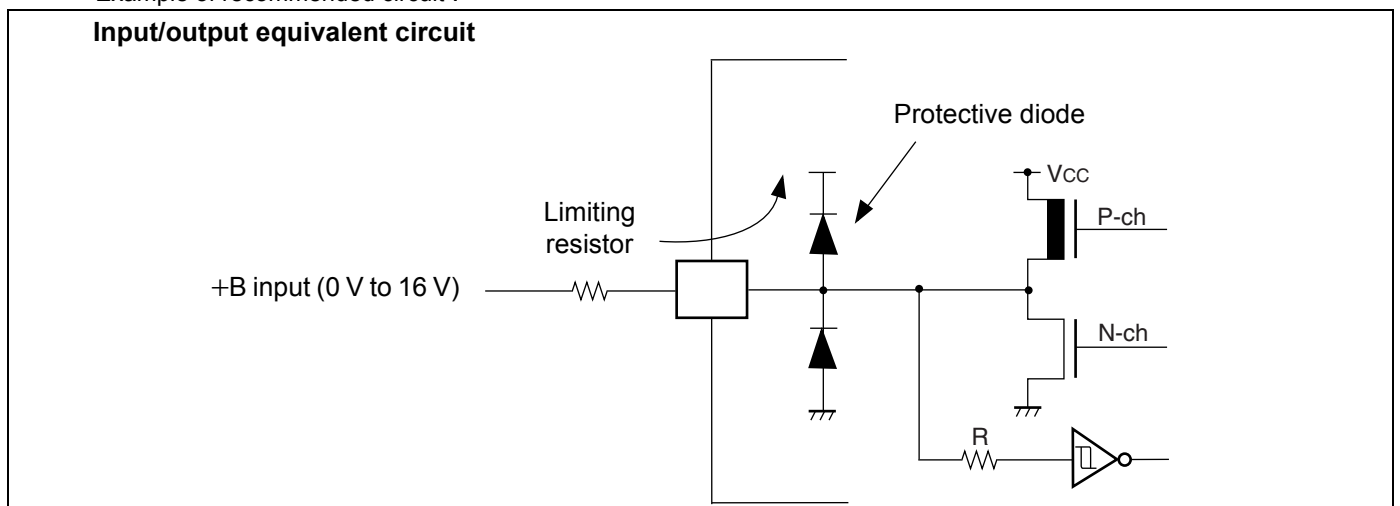
Parameter	Symbol	Rating		Unit	Remarks
		Min	Max		
Power supply slew rate	—	—	50	V/ms	
Power supply voltage 1* ¹	V _{DD5R}	- 0.3	+ 6.0	V	
Power supply voltage 2* ¹	V _{DD5}	- 0.3	+ 6.0	V	
Power supply voltage 3* ¹	HV _{DD5}	- 0.3	+ 6.0	V	
Relationship of the supply voltages	HV _{DD5}	V _{DD5} -0.3	V _{DD5} +0.3	V	SMC mode
		V _{SS5} -0.3	V _{DD5} +0.3	V	General purpose port mode
	AV _{CC5}	V _{DD5} -0.3	V _{DD5} +0.3	V	At least one pin of the Ports 25 to 29 (SMC, ANn) is used as digital input or output.
		V _{SS5} -0.3	V _{DD5} +0.3	V	All pins of the Ports 25 to 29 (SMC, ANn) follow the condition of V _{IA}
Analog power supply voltage* ¹	AV _{CC5}	- 0.3	+ 6.0	V	*2
Analog reference power supply voltage* ¹	AVRH	- 0.3	+ 6.0	V	*2
Input voltage 1* ¹	V _{I1}	V _{SS5} - 0.3	V _{DD5} + 0.3	V	
Input voltage 3* ¹	V _{I3}	HV _{SS5} - 0.3	HV _{DD5} + 0.3	V	Stepper motor controller
Analog pin input voltage* ¹	V _{IA}	AV _{SS5} - 0.3	AV _{CC5} + 0.3	V	
Output voltage 1* ¹	V _{O1}	V _{SS5} - 0.3	V _{DD5} + 0.3	V	
Output voltage 3* ¹	V _{O3}	HV _{SS5} - 0.3	HV _{DD5} + 0.3	V	Stepper motor controller
Maximum clamp current	I _{CLAMP}	- 4.0	+ 4.0	mA	*3
Total maximum clamp current	∑ I _{CLAMP}	—	20	mA	*3
“L” level maximum output current* ⁴	I _{OL}	—	10	mA	
		—	40	mA	Stepper motor controller
“L” level average output current* ⁵	I _{OLAV}	—	8	mA	
		—	30	mA	Stepper motor controller
“L” level total maximum output current	∑ I _{OL}	—	100	mA	
		—	360	mA	Stepper motor controller
“L” level total average output current* ⁶	∑ I _{OLAV}	—	50	mA	
		—	230	mA	Stepper motor controller
“H” level maximum output current* ⁴	I _{OH}	—	- 10	mA	
		—	- 40	mA	Stepper motor controller
“H” level average output current* ⁵	I _{OHAV}	—	- 4	mA	
		—	- 30	mA	Stepper motor controller
“H” level total maximum output current	∑ I _{OH}	—	- 100	mA	
		—	- 360	mA	Stepper motor controller

Parameter	Symbol	Rating		Unit	Remarks
		Min	Max		
“H” level total average output current*6	ΣI_{OHAV}	—	- 25	mA	
		—	- 230	mA	Stepper motor controller
Power consumption	P_D	—	1000	mW	
Operating temperature	T_A	- 40	+ 105	°C	
Storage temperature	T_{stg}	- 55	+ 150	°C	

*1 : The parameter is based on $V_{SS5} = HV_{SS5} = AV_{SS5} = 0.0$ V.

*2 : AV_{CC5} and $AVRH5$ must not exceed $V_{DD5} + 0.3$ V.

- *3 :
- Use within recommended operating conditions.
 - Use with DC voltage (current).
 - +B signals are input signals that exceed the V_{DD5} voltage. +B signals should always be applied by connecting a limiting resistor between the +B signal and the microcontroller.
 - The value of the limiting resistor should be set so that the current input to the microcontroller pin does not exceed the rated value at any time , either instantaneously or for an extended period, when the +B signal is input.
 - Note that when the microcontroller drive current is low, such as in the low power consumption modes, the +B input potential can increase the potential at the power supply pin via a protective diode, possibly affecting other devices.
 - Note that if the +B signal is input when the microcontroller is off (not fixed at 0 V), power is supplied through the +B input pin; therefore, the microcontroller may partially operate.
 - Note that if the +B signal is input at power-on, since the power is supplied through the pin, the power-on reset may not function in the power supply voltage.
 - Do not leave +B input pins open.
 - Example of recommended circuit :



*4 : Maximum output current is defined as the value of the peak current flowing through any one of the corresponding pins.

*5 : Average output current is defined as the value of the average current flowing through any one of the corresponding pins for a 100 ms period.

*6 : Total average output current is defined as the value of the average current flowing through all of the corresponding pins for a 100 ms period.

WARNING: Semiconductor devices can be permanently damaged by application of stress (voltage, current, temperature, etc.) in excess of absolute maximum ratings. Do not exceed these ratings.

15.2 Recommended operating conditions

($V_{SS5} = AV_{SS5} = 0.0\text{ V}$)

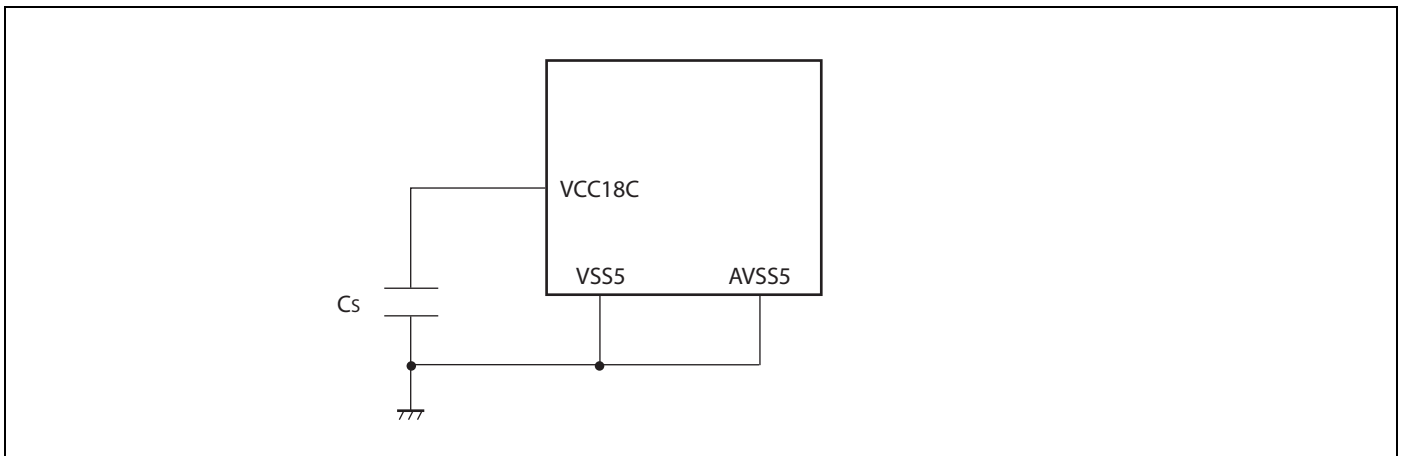
Parameter	Symbol	Value			Unit	Remarks
		Min	Typ	Max		
Power supply voltage	V_{DD5}	3.0	—	5.5	V	
	V_{DD5R}	3.0	—	5.5	V	Internal regulator
	HV_{DD5}	4.5	—	5.5	V	Stepper motor controller
		3.0	—	5.5	V	Stepper motor controller (when all pins are used as general-purpose ports)
	AV_{CC5}	3.0	—	5.5	V	A/D converter
Smoothing capacitor at VCC18C pin	C_S	—	4.7	—	μF	Use a X7R ceramic capacitor or a capacitor that has similar frequency characteristics.
Power supply slew rate		—	—	50	V/ms	
Operating temperature	T_A	- 40	—	+ 105	°C	
Stepper motor control slew rate			40		ns	Clload = 0 pF
Main Oscillation stabilisation time		10			ms	
Lock-up time PLL (4 MHz ->16 ...100MHz)				0.6	ms	
ESD Protection (Human body model)	V_{surge}	2			kV	$R_{discharge} = 1.5\text{k}\Omega$ $C_{discharge} = 100\text{pF}$
RC Oscillator	$f_{RC100\text{kHz}}$ $f_{RC2\text{MHz}}$	50 1	100 2	200 4	kHz MHz	$V_{DDCORE} \geq 1.65\text{V}$

WARNING: The recommended operating conditions are required in order to ensure the normal operation of the semiconductor device.

All of the device's electrical characteristics are warranted when the device is operated within these ranges.

Always use semiconductor devices within their recommended operating condition ranges. Operation outside these ranges may adversely affect reliability and could result in device failure.

No warranty is made with respect to uses, operating conditions, or combinations not represented on the data sheet. Users considering application outside the listed conditions are advised to contact their Cypress representatives beforehand.



15.3 DC characteristics

Note: In the following tables, “V_{DD}” means HV_{DD5} for SMC pins or V_{DD5} for other pins.

In the following tables, “V_{SS}” means Hv_{SS5} for ground Pins of the stepper motor and V_{SS5} for the other pins.

(V_{DD5} = AV_{CC5} = 3.0 V to 5.5 V, V_{SS5} = AV_{SS5} = 0 V, T_A = -40 °C to + 105 °C)

Parameter	Symbol	Pin name	Condition	Value			Unit	Remarks
				Min	Typ	Max		
Input “H” voltage	V _{IH}	—	Port inputs if CMOS Hysteresis 0.8/0.2 input is selected	0.8 × V _{DD}	—	V _{DD} + 0.3	V	CMOS hysteresis input
		—	Port inputs if CMOS Hysteresis 0.7/0.3 input is selected	0.7 × V _{DD}	—	V _{DD} + 0.3	V	4.5 V ≤ V _{DD} ≤ 5.5 V
				0.74 × V _{DD}	—	V _{DD} + 0.3	V	3 V ≤ V _{DD} ≤ 4.5 V
		—	AUTOMOTIVE Hysteresis input is selected	0.8 × V _{DD}	—	V _{DD} + 0.3	V	
	—	Port inputs if TTL input is selected	2.0	—	V _{DD} + 0.3	V		
	V _{IHR}	INITX	—	0.8 × V _{DD}	—	V _{DD} + 0.3	V	INITX input pin (CMOS Hysteresis)
	V _{IHM}	MD_3 to MD_0	—	V _{DD} - 0.3	—	V _{DD} + 0.3	V	Mode input pins
	V _{IHX0S}	X0, X0A	—	2.5	—	V _{DD} + 0.3	V	External clock in “Oscillation mode”
V _{IHX0F}	X0	—	0.8 × V _{DD}	—	V _{DD} + 0.3	V	External clock in “Fast Clock Input mode”	
Input “L” voltage	V _{IL}	—	Port inputs if CMOS Hysteresis 0.8/0.2 input is selected	V _{SS} - 0.3	—	0.2 × V _{DD}	V	
		—	Port inputs if CMOS Hysteresis 0.7/0.3 input is selected	V _{SS} - 0.3	—	0.3 × V _{DD}	V	
				—	Port inputs if AUTOMOTIVE Hysteresis input is selected	V _{SS} - 0.3	—	0.5 × V _{DD}
		V _{SS} - 0.3	—			0.46 × V _{DD}	V	3 V ≤ V _{DD} ≤ 4.5 V
	—	Port inputs if TTL input is selected	V _{SS} - 0.3	—	0.8	V		
	V _{ILR}	INITX	—	V _{SS} - 0.3	—	0.2 × V _{DD}	V	INITX input pin (CMOS Hysteresis)
	V _{ILM}	MD_3 to MD_0	—	V _{SS} - 0.3	—	V _{SS} + 0.3	V	Mode input pins
	V _{ILXDS}	X0, X0A	—	V _{SS} - 0.3	—	0.5	V	External clock in “Oscillation mode”

$(V_{DD5} = AV_{CC5} = 3.0\text{ V to } 5.5\text{ V}, V_{SS5} = AV_{SS5} = 0\text{ V}, T_A = -40\text{ }^\circ\text{C to } +105\text{ }^\circ\text{C})$

Parameter	Symbol	Pin name	Condition	Value			Unit	Remarks
				Min	Typ	Max		
Input "L" voltage	V_{ILXDF}	X0	—	$V_{SS} - 0.3$	—	$0.2 \times V_{DD}$	V	External clock in "Fast Clock Input mode"
Output "H" voltage	V_{OH2}	Normal outputs	$4.5\text{ V} \leq V_{DD} \leq 5.5\text{ V}, I_{OH} = -2\text{ mA}$	$V_{DD} - 0.5$	—	—	V	Driving strength set to 2 mA
			$3.0\text{ V} \leq V_{DD} \leq 4.5\text{ V}, I_{OH} = -1.6\text{ mA}$					
	V_{OH5}	Normal outputs	$4.5\text{ V} \leq V_{DD} \leq 5.5\text{ V}, I_{OH} = -5\text{ mA}$	$V_{DD} - 0.5$	—	—	V	Driving strength set to 5 mA
			$3.0\text{ V} \leq V_{DD} \leq 4.5\text{ V}, I_{OH} = -3\text{ mA}$					
V_{OH3}	I ² C outputs	$3.0\text{ V} \leq V_{DD} \leq 5.5\text{ V}, I_{OH} = -3\text{ mA}$	$V_{DD} - 0.5$	—	—	V		
V_{OH30}	High current outputs	$4.5\text{ V} \leq V_{DD} \leq 5.5\text{ V}, T_A = -40\text{ }^\circ\text{C}, I_{OH} = -40\text{ mA}$	$V_{DD} - 0.5$	—	—	V	Driving strength set to 30mA	
		$4.5\text{ V} \leq V_{DD} \leq 5.5\text{ V}, I_{OH} = -30\text{ mA}$						
		$3.0\text{ V} \leq V_{DD} \leq 4.5\text{ V}, I_{OH} = -20\text{ mA}$						
Output "L" voltage	V_{OL2}	Normal outputs	$4.5\text{ V} \leq V_{DD} \leq 5.5\text{ V}, I_{OH} = +2\text{ mA}$	—	—	0.4	V	Driving strength set to 2 mA
			$3.0\text{ V} \leq V_{DD} \leq 4.5\text{ V}, I_{OH} = +1.6\text{ mA}$					
	V_{OL5}	Normal outputs	$4.5\text{ V} \leq V_{DD} \leq 5.5\text{ V}, I_{OH} = +5\text{ mA}$	—	—	0.4	V	Driving strength set to 5 mA
			$3.0\text{ V} \leq V_{DD} \leq 4.5\text{ V}, I_{OH} = +3\text{ mA}$					
V_{OL3}	I ² C outputs	$3.0\text{ V} \leq V_{DD} \leq 5.5\text{ V}, I_{OH} = +3\text{ mA}$	—	—	0.4	V		
V_{OL30}	High current outputs	$4.5\text{ V} \leq V_{DD} \leq 5.5\text{ V}, T_A = -40\text{ }^\circ\text{C}, I_{OH} = +40\text{ mA}$	—	—	0.5	V	Driving strength set to 30mA	
		$4.5\text{ V} \leq V_{DD} \leq 5.5\text{ V}, I_{OH} = +30\text{ mA}$						
		$3.0\text{ V} \leq V_{DD} \leq 4.5\text{ V}, I_{OH} = +20\text{ mA}$						
Input leakage current	I_{IL}	Pnn_m*1	$3.0\text{ V} \leq V_{DD} \leq 5.5\text{ V}, V_{SS5} < V_I < V_{DD}, T_A = 25\text{ }^\circ\text{C}$	-1	—	+1	μA	
			$3.0\text{ V} \leq V_{DD} \leq 5.5\text{ V}, V_{SS5} < V_I < V_{DD}, T_A = 105\text{ }^\circ\text{C}$	-3	—	+3		

Parameter	Symbol	Pin name	Condition	Value			Unit	Remarks
				Min	Typ	Max		
Analog input leakage current	I _{AIN}	ANn *2	3.0V ≤ V _{DD} ≤ 5.5V T _A =25 °C	- 1	—	+ 1	μA	
			3.0V ≤ V _{DD} ≤ 5.5V T _A =105 °C	- 3	—	+ 3	μA	
Pull-up resistance	R _{UP}	Pnn_m*3 , INITX	3.0V ≤ V _{DD} ≤ 3.6V	40	100	160	kΩ	
			4.5V ≤ V _{DD} ≤ 5.5V	25	50	100		
Pull-down resistance	R _{DOWN}	Pnn_m*4	3.0V ≤ V _{DD} ≤ 3.6V	40	100	180	kΩ	
			4.5V ≤ V _{DD} ≤ 5.5V	25	50	100		
Input capacitance	C _{IN}	All except V _{DD5} , V _{DD5R} , V _{SS5} , AV _{CC5} , AV _{SS} , AVRH5	f = 1 MHz	—	5	15	pF	
Power supply current MB91-F467Cx	I _{CC}	V _{DD5R}	MB91F467Cx: CLKB: 100 MHz CLKP: 50 MHz CLKT: 50 MHz CLKCAN: 50 MHz	—	120	150	mA	Code fetch from Flash
	I _{CCH}	V _{DD5R}	T _A = + 25 °C	—	30	150	μA	At stop mode *5
			T _A = + 105 °C	—	400	2000	μA	
			T _A = + 25 °C	—	100	500	μA	RTC : 4 MHz mode *5
			T _A = + 105 °C	—	500	2400	μA	
			T _A = + 25 °C	—	50	250	μA	RTC : 100 kHz mode *5 32 kHz mode *6
			T _A = + 105 °C	—	450	2200	μA	
	I _{LVE}	V _{DD5}	—	—	70	150	μA	External low voltage detection
	I _{LVI}	V _{DD5R}	—	—	50	100	μA	Internal low voltage detection
	I _{OSC}	V _{DD5}	—	—	250	500	μA	Main clock (4 MHz)
—			—	20	40	μA	Sub clock (32 kHz)	

Parameter	Symbol	Pin name	Condition	Value			Unit	Remarks
				Min	Typ	Max		
Power supply current MB91-F465CA	I _{CC}	V _{DD5R}	MB91F465CA: CLKB: 100 MHz CLKP: 50 MHz CLKT: 50 MHz CLKCAN: 50 MHz	—	110	140	mA	Code fetch from Flash
	I _{CCH}	V _{DD5R}	T _A = + 25 °C	—	30	150	μA	At stop mode *5
			T _A = + 105 °C	—	300	2000	μA	
			T _A = + 25 °C	—	100	500	μA	RTC : 4 MHz mode *5
			T _A = + 105 °C	—	500	2400	μA	
			T _A = + 25 °C	—	50	250	μA	RTC : 100 kHz mode *5 32 kHz mode *6
			T _A = + 105 °C	—	400	2200	μA	
	I _{LVE}	V _{DD5}	—	—	70	150	μA	External low voltage detection
	I _{LVI}	V _{DD5R}	—	—	50	100	μA	Internal low voltage detection
	I _{OSC}	V _{DD5}	—	—	250	500	μA	Main clock (4 MHz)
—			—	20	40	μA	Sub clock (32 kHz)	
Power supply current MB91-F463CA (target data)	I _{CC}	V _{DD5R}	MB91F463CA: CLKB: 100 MHz CLKP: 50 MHz CLKT: 50 MHz CLKCAN: 50 MHz	—	100	130	mA	Code fetch from Flash
	I _{CCH}	V _{DD5R}	T _A = + 25 °C	—	30	150	μA	At stop mode *5
			T _A = + 105 °C	—	300	2000	μA	
			T _A = + 25 °C	—	100	500	μA	RTC : 4 MHz mode *5
			T _A = + 105 °C	—	500	2400	μA	
			T _A = + 25 °C	—	50	250	μA	RTC : 100 kHz mode *5 32 kHz mode *6
			T _A = + 105 °C	—	400	2200	μA	
	I _{LVE}	V _{DD5}	—	—	70	150	μA	External low voltage detection
	I _{LVI}	V _{DD5R}	—	—	50	100	μA	Internal low voltage detection
	I _{OSC}	V _{DD5}	—	—	250	500	μA	Main clock (4 MHz)
—			—	20	40	μA	Sub clock (32 kHz)	

1. Pnn_m includes all GPIO pins. Analog (AN) channels and PullUp/PullDown are disabled.
2. ANn includes all pins where AN channels are enabled.
3. Pnn_m includes all GPIO pins. The pull up resistors must be enabled by PPER/PPCR setting and the pins must be in input direction.

4. Pnn_m includes all GPIO pins. The pull down resistors must be enabled by PPER/PPCR setting and the pins must be in input direction.
5. Main regulator OFF, sub regulator set to 1.2 V, Low voltage detection disabled.
6. Main regulator OFF, sub regulator set 1.2 V, Low voltage detection disabled, RC oscillator enabled.
Additional current consumption of Sub oscillator I_{OSC} has to be taken into account.

15.4 A/D converter characteristics
 $(V_{DD5} = AV_{CC5} = 3.0\text{ V to }5.5\text{ V}, V_{SS5} = AV_{SS5} = 0\text{ V}, T_A = -40\text{ }^\circ\text{C to }+105\text{ }^\circ\text{C})$

Parameter	Symbol	Pin name	Value			Unit	Remarks
			Min	Typ	Max		
Resolution	—	—	—	—	10	bit	
Total error	—	—	-3	—	+3	LSB	
Nonlinearity error	—	—	-2.5	—	+2.5	LSB	
Differential nonlinearity error	—	—	-1.9	—	+1.9	LSB	
Zero reading voltage	V_{OT}	ANn	AVRL - 1.5 LSB	AVRL + 0.5 LSB	AVRL + 2.5 LSB	V	
Full scale reading voltage	V_{FST}	ANn	AVRH - 3.5 LSB	AVRH - 1.5 LSB	AVRH + 0.5 LSB	V	
Compare time	T_{comp}	—	0.6	—	16,500	μs	$4.5\text{ V} \leq AV_{CC5} \leq 5.5\text{ V}$
			2.0	—	—	μs	$3.0\text{ V} \leq AV_{CC5} \leq 4.5\text{ V}$
Sampling time	T_{samp}	—	0.4	—	—	μs	$4.5\text{ V} \leq AV_{CC5} \leq 5.5\text{ V}$, $R_{EXT} < 2\text{ k}\Omega$
			1.0	—	—	μs	$3.0\text{ V} \leq AV_{CC5} \leq 4.5\text{ V}$, $R_{EXT} < 1\text{ k}\Omega$
Conversion time	T_{conv}	—	1.0	—	—	μs	$4.5\text{ V} \leq AV_{CC5} \leq 5.5\text{ V}$
			3.0	—	—	μs	$3.0\text{ V} \leq AV_{CC5} \leq 4.5\text{ V}$
Input capacitance	C_{IN}	ANn	—	—	11	pF	
Input resistance	R_{IN}	ANn	—	—	2.6	k Ω	$4.5\text{ V} \leq AV_{CC5} \leq 5.5\text{ V}$
			—	—	12.1	k Ω	$3.0\text{ V} \leq AV_{CC5} \leq 4.5\text{ V}$
Analog input leakage current	I_{AIN}	ANn	-1	—	+1	μA	$T_A = +25\text{ }^\circ\text{C}$
			-3	—	+3	μA	$T_A = +105\text{ }^\circ\text{C}$
Analog input voltage range	V_{AIN}	ANn	AVRL	—	AVRH	V	
Offset between input channels	—	ANn	—	—	4	LSB	

(Continued)

Note : The accuracy gets worse as AVRH - AVRL becomes smaller

(Continued)

Parameter	Symbol	Pin name	Value			Unit	Remarks
			Min	Typ	Max		
Reference voltage range	AVRH	AVRH5	$0.75 \times AV_{CC5}$	—	AV_{CC5}	V	
	AVRL	AVSS5	AV_{SS5}	—	$AV_{CC5} \times 0.25$	V	
Power supply current per ADC macro *3	I_A	AV_{CC5}	—	2.5	5	mA	A/D Converter active
	I_{AH}	AV_{CC5}	—	—	5	μA	A/D Converter not operated *1
Reference voltage current per ADC macro *3	I_R	AVRH5	—	0.7	1	mA	A/D Converter active
	I_{RH}	AVRH5	—	—	5	μA	A/D Converter not operated *2

*1 : Supply current at AV_{CC5} , if A/D converter and ALARM comparator are not operating, ($V_{DD5} = AV_{CC5} = AVRH = 5.0$ V)

*2 : Input current at AVRH5, if A/D converter is not operating, ($V_{DD5} = AV_{CC5} = AVRH = 5.0$ V)

*3 : The current consumption per ADC macro is given here. On devices having more than one A/D converter, the current values have to be multiplied by the number of macros.

Sampling Time Calculation

$$T_{\text{samp}} = (2.6 \text{ k}\Omega + R_{\text{EXT}}) \cdot 11 \text{ pF} \cdot 7; \text{ for } 4.5 \text{ V} \leq AV_{CC5} \leq 5.5 \text{ V}$$

$$T_{\text{samp}} = (12.1 \text{ k}\Omega + R_{\text{EXT}}) \cdot 11 \text{ pF} \cdot 7; \text{ for } 3.0 \text{ V} \leq AV_{CC5} \leq 4.5 \text{ V}$$

Conversion Time Calculation

$$T_{\text{conv}} = T_{\text{samp}} + T_{\text{comp}}$$

Definition of A/D converter terms

■ Resolution

Analog variation that is recognizable by the A/D converter.

■ Nonlinearity error

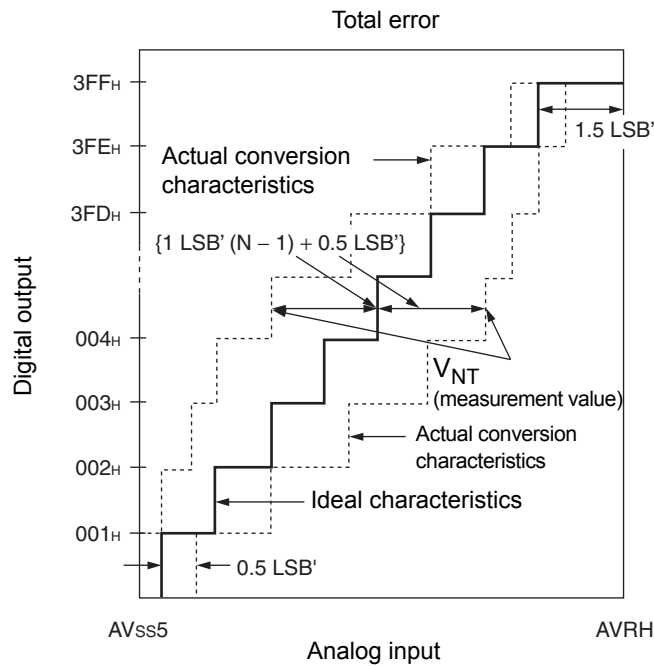
Deviation between actual conversion characteristics and a straight line connecting the zero transition point ($00\ 0000\ 0000_B \leftrightarrow 00\ 0000\ 0001_B$) and the full scale transition point ($11\ 1111\ 1110_B \leftrightarrow 11\ 1111\ 1111_B$).

■ Differential nonlinearity error

Deviation of the input voltage from the ideal value that is required to change the output code by 1 LSB.

■ Total error

This error indicates the difference between actual and theoretical values, including the zero transition error, full scale transition error, and nonlinearity error.



$$1\text{LSB}' (\text{ideal value}) = \frac{\text{AVRH} - \text{AV}_{\text{SS5}}}{1024} [\text{V}]$$

$$\text{Total error of digital output } N = \frac{V_{\text{NT}} - \{1 \text{LSB}' \cdot (N - 1) + 0.5 \text{LSB}'\}}{1 \text{LSB}'}$$

N : A/D converter digital output value

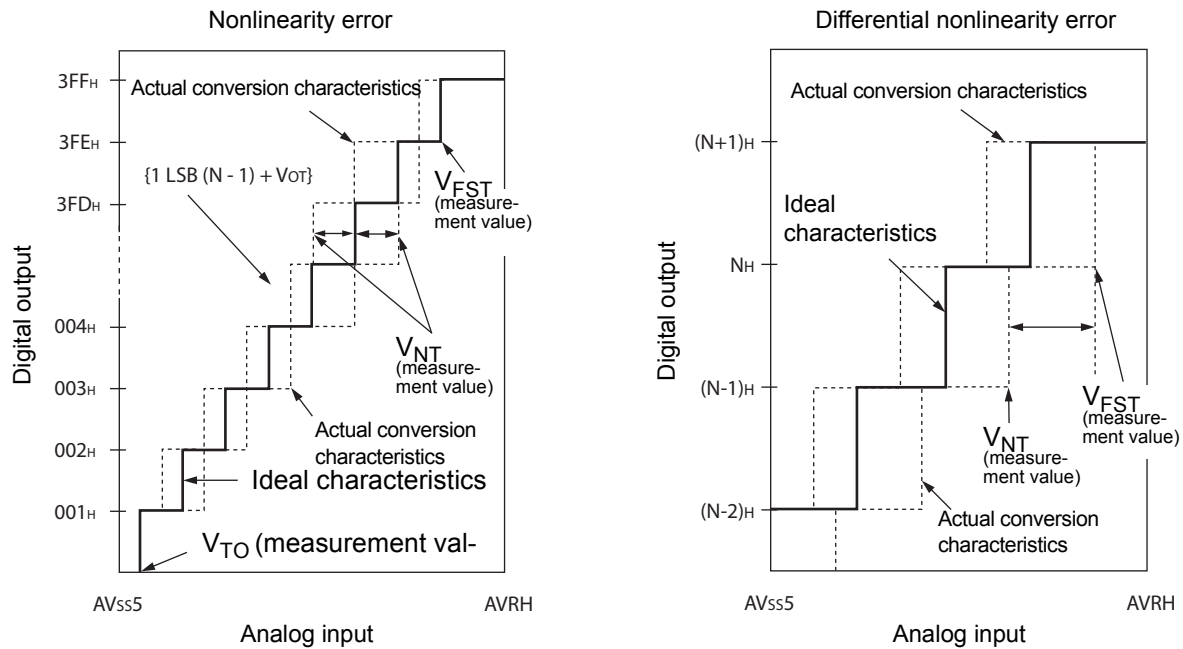
V_{OT}' (ideal value) = $\text{AV}_{\text{SS5}} + 0.5 \text{LSB}'$ [V]

V_{FST}' (ideal value) = $\text{AVRH} - 1.5 \text{LSB}'$ [V]

V_{NT} : Voltage at which the digital output changes from $(N + 1)_H$ to N_H

(Continued)

(Continued)



$$\text{Nonlinearity error of digital output } N = \frac{V_{NT} - \{1\text{LSB} \cdot (N - 1) + V_{OT}\}}{1\text{LSB}} \quad [\text{LSB}]$$

$$\text{Differential nonlinearity error of digital output } N = \frac{V_{(N+1)T} - V_{NT}}{1\text{LSB}} - 1 \quad [\text{LSB}]$$

$$1\text{LSB} = \frac{V_{FST} - V_{OT}}{1022} \quad [\text{V}]$$

N : A/D converter digital output value

V_{OT} : Voltage at which the digital output changes from 000_H to 001_H.

V_{FST} : Voltage at which the digital output changes from 3FE_H to 3FF_H.

15.5 Alarm comparator characteristics

Parameter	Symbol	Pin name	Value			Unit	Remarks
			Min	Typ	Max		
Power supply current	I _{A5ALMF}	AV _{CC5}	—	25	40	μA	Alarm comparator enabled in fast mode (per channel) *1
	I _{A5ALMS}		—	7	10	μA	Alarm comparator enabled in normal mode (per channel) *1
	I _{A5ALMH}		—	—	5	μA	Alarm comparator disabled
ALARM pin input current	I _{ALIN}	ALARM_n	- 1	—	+ 1	μA	T _A =25 °C
			- 3	—	+ 3	μA	T _A =105 °C
ALARM pin input voltage range	V _{ALIN}		0	—	AV _{CC5}	V	
Alarm upper limit voltage	V _{IAH}		AV _{CC5} × 0.78 - 3%	AV _{CC5} × 0.78	AV _{CC5} × 0.78 + 3%	V	
Alarm lower limit voltage	V _{IAL}		AV _{CC5} × 0.36 - 5%	AV _{CC5} × 0.36	AV _{CC5} × 0.36 + 5%	V	
Alarm hysteresis voltage	V _{IAHYS}		50	—	250	mV	
Alarm input resistance	R _{IN}		5	—	—	MΩ	
Comparison time	t _{COMPF}		—	0.1	0.2	μA	Alarm comparator enabled in fast mode *1
	t _{COMPS}	—	1	2	μA	Alarm comparator enabled in normal mode *1	

Note: *1 : The fast Alarm Comparator mode is enabled by setting ACSR.MD=1
 Setting ACSR.MD=0 sets the normal mode.

15.6 FLASH memory program/erase characteristics
15.6.1 MB91F463CA, MB91F465CA
 $(T_A = 25^{\circ}\text{C}, V_{CC} = 5.0\text{V})$

Parameter	Value			Unit	Remarks
	Min	Typ	Max		
Sector erase time	-	0.9	3.6	s	Erasure programming time not included
Chip erase time	-	n*0.9	n*3.6	s	n is the number of Flash sector of the device
Word (16-bit width) programming time	-	23	370	μs	System overhead time not included
Programme/Erase cycle	10 000			cycle	
Flash data retention time	20			year	*1

*1: This value was converted from the results of evaluating the reliability of the technology (using Arrhenius equation to convert high temperature measurements into normalized value at 85°C)

15.6.2 MB91F467Cx
 $(T_A = 25^{\circ}\text{C}, V_{CC} = 5.0\text{V})$

Parameter	Value			Unit	Remarks
	Min	Typ	Max		
Sector erase time	-	0.5	2.0	s	Erasure programming time not included
Chip erase time	-	n*0.5	n*2.0	s	n is the number of Flash sector of the device
Word (16-bit or 32-bit width) programming time	-	6	100	μs	System overhead time not included
Programme/Erase cycle	10 000			cycle	
Flash data retention time	20			year	*1

*1: This value was converted from the results of evaluating the reliability of the technology (using Arrhenius equation to convert high temperature measurements into normalized value at 85°C)

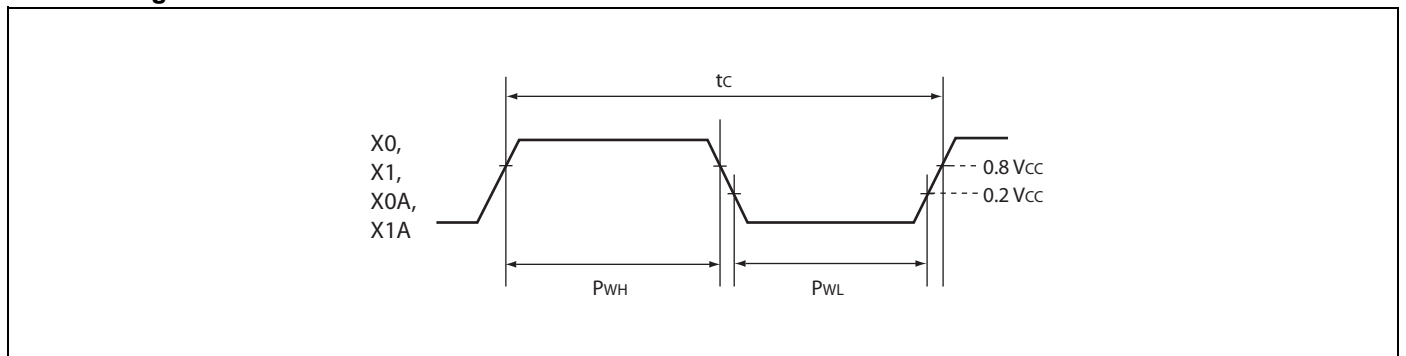
15.7 AC characteristics

15.7.1 Clock timing

($V_{DD5} = 3.0\text{ V to } 5.5\text{ V}$, $V_{SS5} = AV_{SS5} = 0\text{ V}$, $T_A = -40\text{ }^\circ\text{C to } +105\text{ }^\circ\text{C}$)

Parameter	Symbol	Pin name	Value			Unit	Condition
			Min	Typ	Max		
Clock frequency	f_C	X0 X1	3.5	4	16	MHz	Opposite phase external supply or crystal
		X0A X1A	32	32.768	100	kHz	

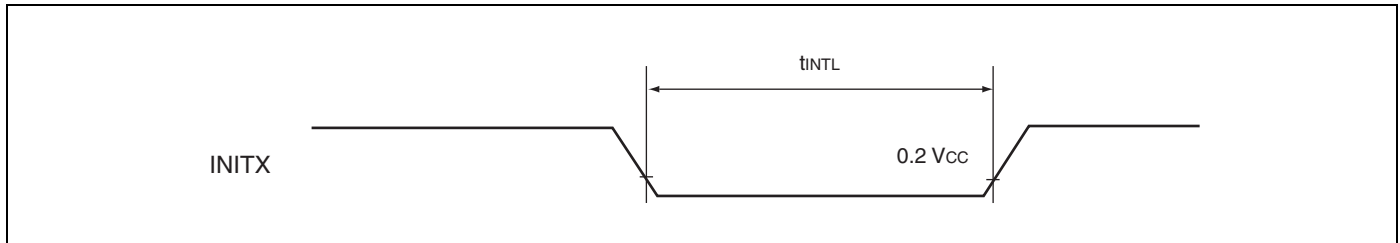
Clock timing condition



15.7.2 Reset input ratings

($V_{DD5} = 3.0\text{ V}$ to 5.5 V , $V_{SS5} = AV_{SS5} = 0\text{ V}$, $T_A = -40\text{ }^\circ\text{C}$ to $+105\text{ }^\circ\text{C}$)

Parameter	Symbol	Pin name	Condition	Value		Unit
				Min	Max	
INITX input time (at power-on)	t_{INTL}	INITX	—	10	—	ms
INITX input time (other than the above)				20	—	μs



15.7.3 LIN-USART Timings at $V_{DD5} = 3.0$ to 5.5 V

- Conditions during AC measurements
- All AC tests were measured under the following conditions:
 - - $I_{Odrive} = 5$ mA
 - - $V_{DD5} = 3.0$ V to 5.5 V, $I_{load} = 3$ mA
 - - $V_{SS5} = 0$ V
 - - $T_a = -40^{\circ}\text{C}$ to $+105^{\circ}\text{C}$
 - - $C_l = 50$ pF (load capacity value of pins when testing)
 - - $V_{OL} = 0.2 \times V_{DD5}$
 - - $V_{OH} = 0.8 \times V_{DD5}$
 - - EPILR = 0, PILR = 1 (Automotive Level = worst case)

($V_{DD5} = 3.0$ V to 5.5 V, $V_{SS5} = AV_{SS5} = 0$ V, $T_A = -40^{\circ}\text{C}$ to $+105^{\circ}\text{C}$)

Parameter	Symbol	Pin name	Condition	$V_{DD5} = 3.0$ V to 4.5 V		$V_{DD5} = 4.5$ V to 5.5 V		Unit
				Min	Max	Min	Max	
Serial clock cycle time	t_{SCYCI}	SCKn	Internal clock operation (master mode)	$4 t_{CLKP}$	—	$4 t_{CLKP}$	—	ns
SCK $\downarrow \rightarrow$ SOT delay time	t_{SLOVI}	SCKn SOTn		- 30	30	- 20	20	ns
SOT \rightarrow SCK \downarrow delay time	t_{OVSHI}	SCKn SOTn		$m \times t_{CLKP} - 30^*$	—	$m \times t_{CLKP} - 20^*$	—	ns
Valid SIN \rightarrow SCK \uparrow setup time	t_{IVSHI}	SCKn SINn		$t_{CLKP} + 55$	—	$t_{CLKP} + 45$	—	ns
SCK $\uparrow \rightarrow$ valid SIN hold time	t_{SHIXI}	SCKn SINn		0	—	0	—	ns
Serial clock "H" pulse width	t_{SHSLE}	SCKn	External clock operation (slave mode)	$t_{CLKP} + 10$	—	$t_{CLKP} + 10$	—	ns
Serial clock "L" pulse width	t_{SLSHE}	SCKn		$t_{CLKP} + 10$	—	$t_{CLKP} + 10$	—	ns
SCK $\downarrow \rightarrow$ SOT delay time	t_{SLOVE}	SCKn SOTn		—	$2 t_{CLKP} + 55$	—	$2 t_{CLKP} + 45$	ns
Valid SIN \rightarrow SCK \uparrow setup time	t_{IVSHE}	SCKn SINn		10	—	10	—	ns
SCK $\uparrow \rightarrow$ valid SIN hold time	t_{SHIXE}	SCKn SINn		$t_{CLKP} + 10$	—	$t_{CLKP} + 10$	—	ns
SCK rising time	t_{FE}	SCKn		—	20	—	20	ns
SCK falling time	t_{RE}	SCKn		—	20	—	20	ns

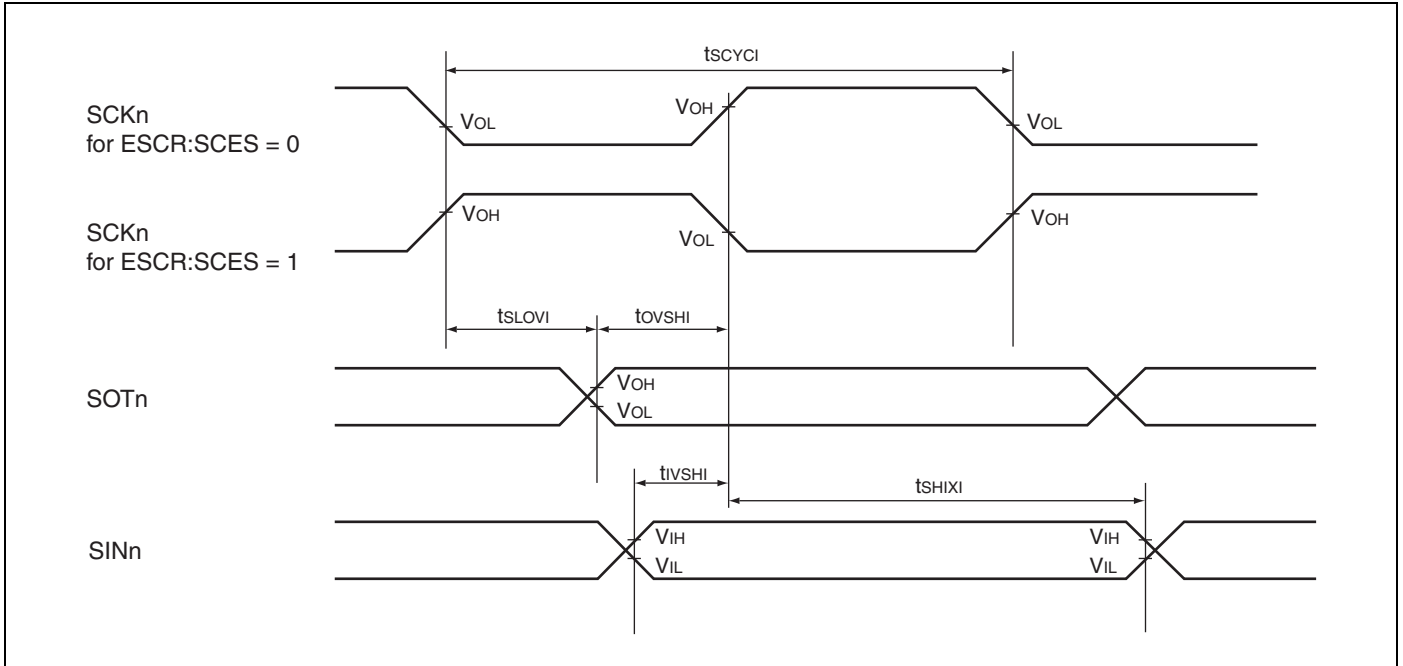
* : Parameter m depends on t_{SCYCI} and can be calculated as :

- if $t_{SCYCI} = 2 * k * t_{CLKP}$, then $m = k$, where k is an integer > 2
- if $t_{SCYCI} = (2 * k + 1) * t_{CLKP}$, then $m = k + 1$, where k is an integer > 1

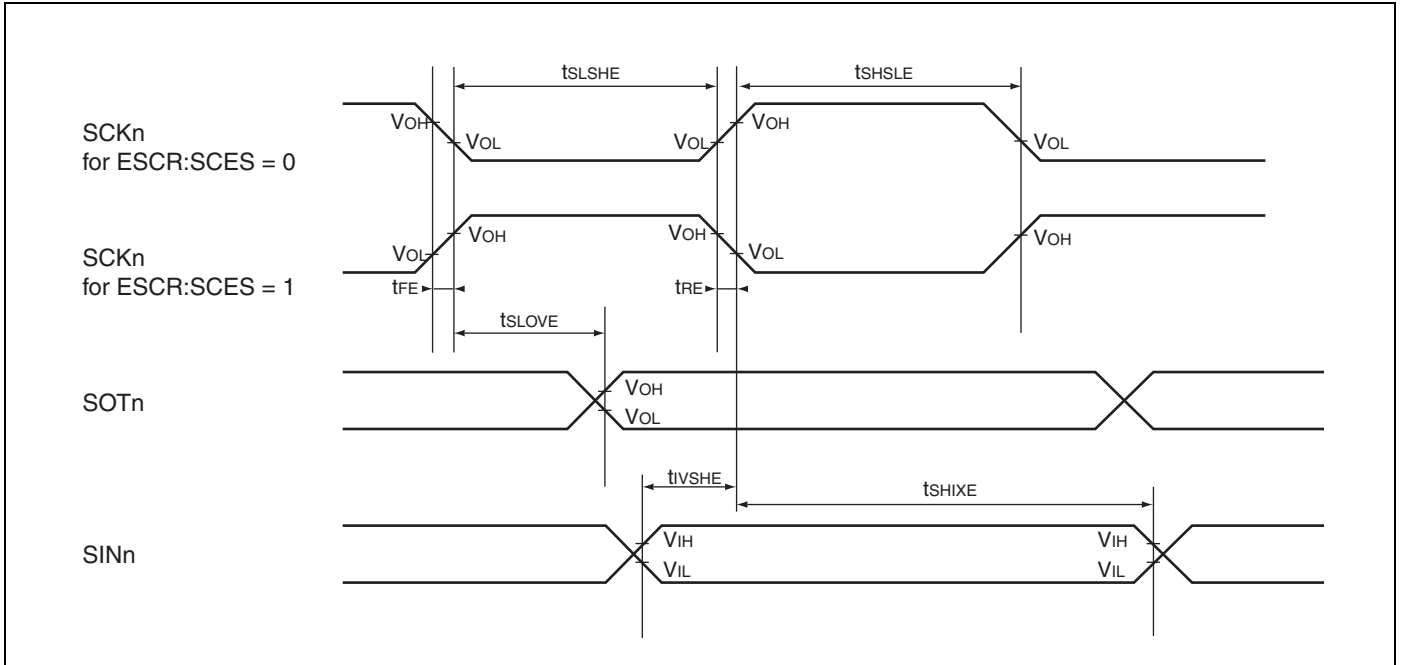
Notes : • The above values are AC characteristics for CLK synchronous mode.

- t_{CLKP} is the cycle time of the peripheral clock.

Internal clock mode (master mode)



External clock mode (slave mode)



15.7.4 I²C AC Timings at V_{DD5} = 3.0 to 5.5 V

• Conditions during AC measurements

All AC tests were measured under the following conditions:

- I_{Odrive} = 3 mA
- V_{DD5} = 3.0 V to 5.5 V, I_{load} = 3 mA (V_{DD} = 4.5 V to 5.5 V for MB91F467Cx)
- V_{SS5} = 0 V
- T_A = -40 °C to +105 °C
- C_l = 50 pF
- VOL = 0.3 × V_{DD5}
- VOH = 0.7 × V_{DD5}
- EPILR = 0, PILR = 0 (CMOS Hysteresis 0.3 × V_{DD5}/0.7 × V_{DD5})

Fast mode:

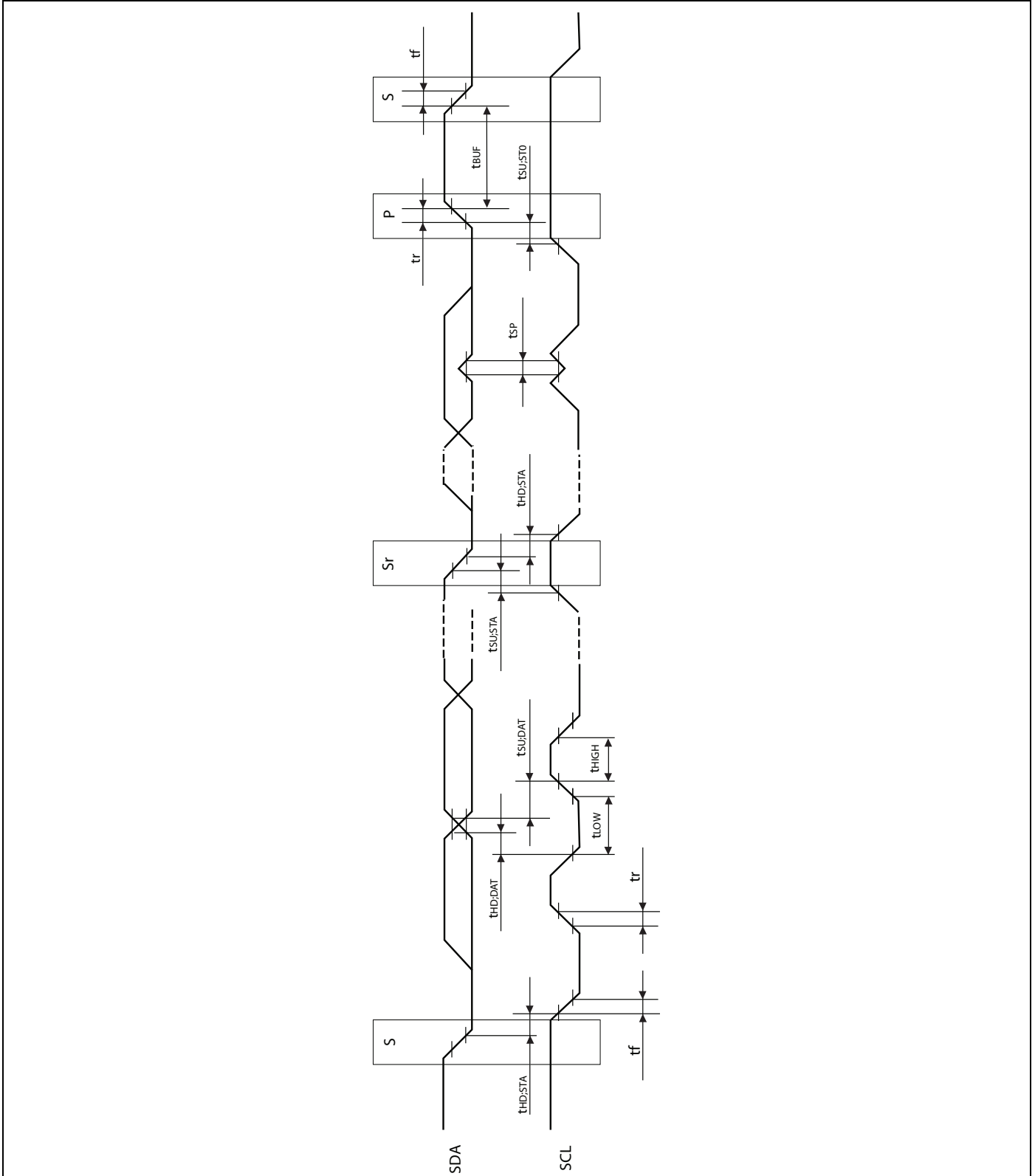
 (V_{DD5} = 3.5 V to 5.5 V, V_{SS5} = AV_{SS5} = 0 V, T_A = -40 °C to +105 °C)

Parameter	Symbol	Pin name	Value		Unit	Remark
			Min	Max		
SCL clock frequency	f _{SCL}	SCLn	0	400	kHz	
Hold time (repeated) START condition. After this period, the first clock pulse is generated	t _{HD;STA}	SCLn, SDAn	0.6	—	μs	
LOW period of the SCL clock	t _{LOW}	SCLn	1.3	—	μs	
HIGH period of the SCL clock	t _{HIGH}	SCLn	0.6	—	μs	
Setup time for a repeated START condition	t _{SU;STA}	SCLn, SDAn	0.6	—	μs	
Data hold time for I ² C-bus devices	t _{HD;DAT}	SCLn, SDAn	0	0.9	μs	
Data setup time	t _{SU;DAT}	SCLn SDAn	100	—	ns	
Rise time of both SDA and SCL signals	t _r	SCLn, SDAn	20 + 0.1Cb	300	ns	*1
Fall time of both SDA and SCL signals	t _f	SCLn, SDAn	20 + 0.1Cb	300	ns	*1
Setup time for STOP condition	t _{SU;STO}	SCLn, SDAn	0.6	—	μs	
Bus free time between a STOP and START condition	t _{BUF}	SCLn, SDAn	1.3	—	μs	
Capacitive load for each bus line	C _b	SCLn, SDAn	—	400	pF	
Pulse width of spike suppressed by input filter	t _{SP}	SCLn, SDAn	0	(1.1.5) × t _{CLKP}	ns	*2

 *1: On MB91F467Cx only guaranteed for 4.5 V < V_{DD5} < 5.5 V.

 *2: The noise filter will suppress single spikes with a pulse width of 0ns and between (1 to 1.5) cycles of peripheral clock, depending on the phase relationship between I²C signals (SDA, SCL) and peripheral clock.

 Note: t_{CLKP} is the cycle time of the peripheral clock.

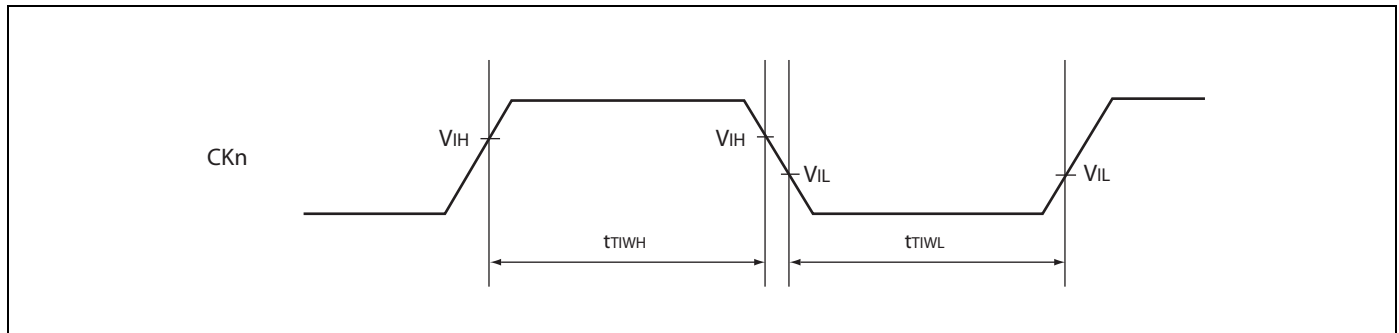


15.7.5 Free-run timer clock

($V_{DD5} = 3.0\text{ V to } 5.5\text{ V}$, $V_{SS5} = AV_{SS5} = 0\text{ V}$, $T_A = -40\text{ }^\circ\text{C to } +105\text{ }^\circ\text{C}$)

Parameter	Symbol	Pin name	Condition	Value		Unit
				Min	Max	
Input pulse width	t_{TIWH} t_{TIWL}	CKn	—	$4t_{CLKP}$	—	ns

Note : t_{CLKP} is the cycle time of the peripheral clock.

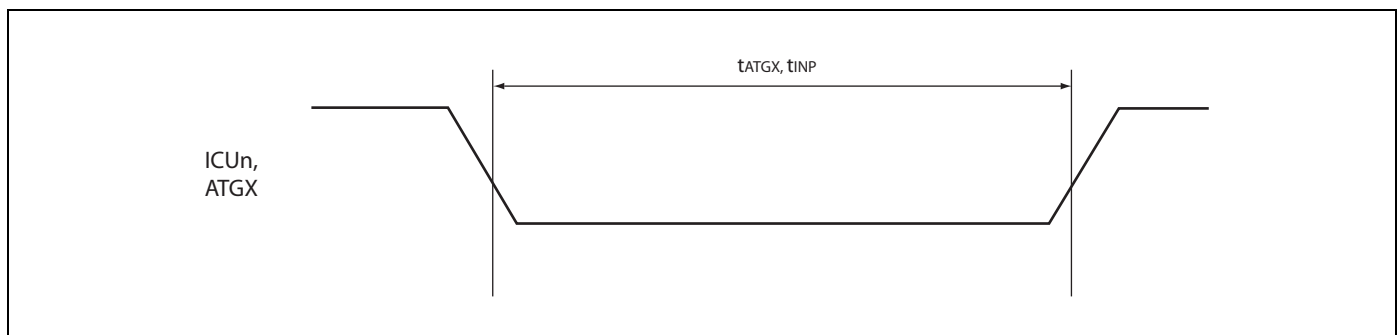


15.7.6 Trigger input timing

($V_{DD5} = 3.0\text{ V to } 5.5\text{ V}$, $V_{SS5} = AV_{SS5} = 0\text{ V}$, $T_A = -40\text{ }^\circ\text{C to } +105\text{ }^\circ\text{C}$)

Parameter	Symbol	Pin name	Condition	Value		Unit
				Min	Max	
Input capture input trigger	t_{INP}	ICUn	—	$5t_{CLKP}$	—	ns
A/D converter trigger	t_{ATGX}	ATGX	—	$5t_{CLKP}$	—	ns

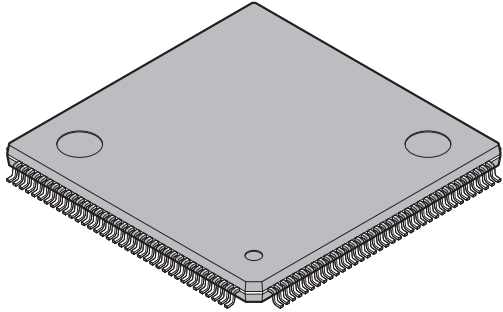
Note : t_{CLKP} is the cycle time of the peripheral clock.



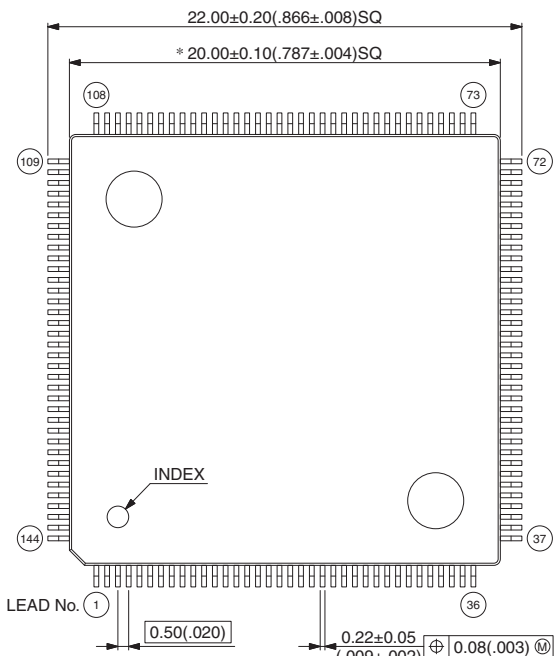
16. Ordering Information

Part number	Package	Remarks
MB91F467CAPMC-GSE2	144-pin plastic LQFP (FPT-144P-M08)	not recommended
MB91F467CBPMC-GSE2		Lead-free package
MB91F465CAPMC-GSE2		Lead-free package
MB91F463CAPMC-GSE2		Lead-free package

17. Package Dimension

<p>144-pin plastic LQFP</p>  <p>(FPT-144P-M08)</p>	Lead pitch	0.50 mm
	Package width × package length	20.0 × 20.0 mm
	Lead shape	Gullwing
	Sealing method	Plastic mold
	Mounting height	1.70 mm MAX
	Weight	1.20g
	Code (Reference)	P-LFQFP144-20×20-0.50

144-pin plastic LQFP (FPT-144P-M08)

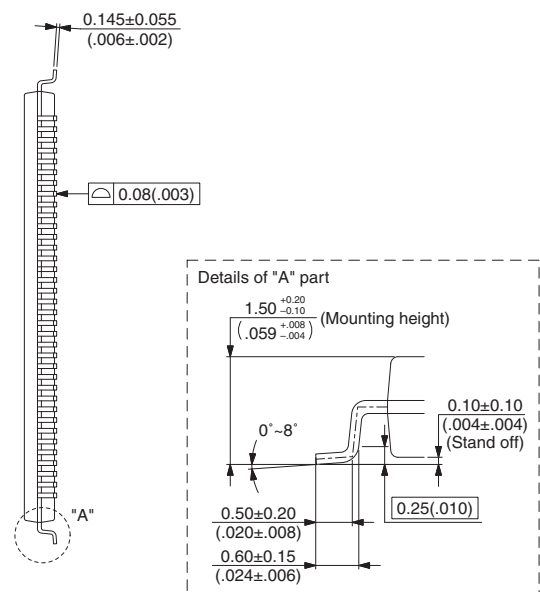


©2003-2008 FUJITSU MICROELECTRONICS LIMITED F144019S-c-4-7

Note 1) *:Values do not include resin protrusion.
Resin protrusion is +0.25(.010)Max(each side).

Note 2) Pins width and pins thickness include plating thickness.

Note 3) Pins width do not include tie bar cutting remainder.



Dimensions in mm (inches).
Note: The values in parentheses are reference values.

18. Revision History

Version	Date	Remark
2.0	2008-04-16	Initial Version
2.1	2008-08-15	<p>Handling devices: Section Notes on PS Register changed for better understanding;</p> <p>Interrupt Vector Table: corrected the footnotes</p> <p>FLASH: Added note about the flash operation mode switching; added section "Poweron Sequence in parallel programming mode";</p> <p>FLASH Security: Corrected sector assignments FSV1,FSV2</p> <p>Absolute maximum ratings: Removed the note that analog input/output pins cannot accept +B signal input.</p> <p>DC Characteristics: Updated PullUp/Down resistors and the footnotes, splitted I_{LV} into external and internal LV detection</p> <p>AD Converter characteristics updated (complete section);</p> <p>Ordering information updated;</p> <p>Company name updated</p>
2.2	2008-11-24	<p>Flash: Added MB91F463CA to all sections</p> <p>Memory maps: Removed external bus areas (no ext. bus available)</p> <p>IO-Map: Added/corrected MB91F463CA</p> <p>Ordering Information: Added MB91F463CA</p>

19. Main Changes

Spanion Publication Number: DS07-16610-2E

Page	Section	Change Results
2	Features 2. Internal peripheral resources	Deleted following description: Fly-by transfer support (between external I/O and memory)
29	Embedded Program / Data Memory (Flash)	Corrected the Note: The operation mode of the flash memory → The operation mode of the MCU
49	I/O Map	Added Reload Timer 0 and 1 on address 0001B0 _H to 0001BC _H
89, 90	Electrical Characteristics 3. DC characteristics	Corrected the Remarks column of Parameter: Power supply current RTC: 100 kHz mode* ⁵ → RTC: 100 kHz mode* ⁵ , 32 kHz mode* ⁶
91		Added Footnote 6:
99	Electrical Characteristics 7.2. Reset input ratings	Corrected the spec value of INITX input time (at power-on) Min: 8 ms → 10 ms

NOTE: Please see “Document History” about later revised information.

Document History

Document Title: MB91460C Series FR60 32-bit Microcontroller Document Number: 002-04609				
Revision	ECN	Orig. of Change	Submission Date	Description of Change
**	—	TORS	04/28/2010	Migrated to Cypress and assigned document number 002-04609. No change to document contents or format.
*A	5200971	TORS	04/12/2016	Updated to Cypress format.

Sales, Solutions, and Legal Information

Worldwide Sales and Design Support

Cypress maintains a worldwide network of offices, solution centers, manufacturer's representatives, and distributors. To find the office closest to you, visit us at [Cypress Locations](#).

Products

ARM® Cortex® Microcontrollers	cypress.com/arm
Automotive	cypress.com/automotive
Clocks & Buffers	cypress.com/clocks
Interface	cypress.com/interface
Lighting & Power Control	cypress.com/powerpsoc
Memory	cypress.com/memory
PSoC	cypress.com/psoc
Touch Sensing	cypress.com/touch
USB Controllers	cypress.com/usb
Wireless/RF	cypress.com/wireless

PSoC® Solutions

cypress.com/psoc
PSoC 1 | PSoC 3 | PSoC 4 | PSoC 5LP

Cypress Developer Community

[Community](#) | [Forums](#) | [Blogs](#) | [Video](#) | [Training](#)

Technical Support

cypress.com/support

© Cypress Semiconductor Corporation, 2009-2016. This document is the property of Cypress Semiconductor Corporation and its subsidiaries, including Spansion LLC ("Cypress"). This document, including any software or firmware included or referenced in this document ("Software"), is owned by Cypress under the intellectual property laws and treaties of the United States and other countries worldwide. Cypress reserves all rights under such laws and treaties and does not, except as specifically stated in this paragraph, grant any license under its patents, copyrights, trademarks, or other intellectual property rights. If the Software is not accompanied by a license agreement and you do not otherwise have a written agreement with Cypress governing the use of the Software, then Cypress hereby grants you a personal, non-exclusive, nontransferable license (without the right to sublicense) (1) under its copyright rights in the Software (a) for Software provided in source code form, to modify and reproduce the Software solely for use with Cypress hardware products, only internally within your organization, and (b) to distribute the Software in binary code form externally to end users (either directly or indirectly through resellers and distributors), solely for use on Cypress hardware product units, and (2) under those claims of Cypress's patents that are infringed by the Software (as provided by Cypress, unmodified) to make, use, distribute, and import the Software solely for use with Cypress hardware products. Any other use, reproduction, modification, translation, or compilation of the Software is prohibited.

TO THE EXTENT PERMITTED BY APPLICABLE LAW, CYPRESS MAKES NO WARRANTY OF ANY KIND, EXPRESS OR IMPLIED, WITH REGARD TO THIS DOCUMENT OR ANY SOFTWARE OR ACCOMPANYING HARDWARE, INCLUDING, BUT NOT LIMITED TO, THE IMPLIED WARRANTIES OF MERCHANTABILITY AND FITNESS FOR A PARTICULAR PURPOSE. To the extent permitted by applicable law, Cypress reserves the right to make changes to this document without further notice. Cypress does not assume any liability arising out of the application or use of any product or circuit described in this document. Any information provided in this document, including any sample design information or programming code, is provided only for reference purposes. It is the responsibility of the user of this document to properly design, program, and test the functionality and safety of any application made of this information and any resulting product. Cypress products are not designed, intended, or authorized for use as critical components in systems designed or intended for the operation of weapons, weapons systems, nuclear installations, life-support devices or systems, other medical devices or systems (including resuscitation equipment and surgical implants), pollution control or hazardous substances management, or other uses where the failure of the device or system could cause personal injury, death, or property damage ("Unintended Uses"). A critical component is any component of a device or system whose failure to perform can be reasonably expected to cause the failure of the device or system, or to affect its safety or effectiveness. Cypress is not liable, in whole or in part, and you shall and hereby do release Cypress from any claim, damage, or other liability arising from or related to all Unintended Uses of Cypress products. You shall indemnify and hold Cypress harmless from and against all claims, costs, damages, and other liabilities, including claims for personal injury or death, arising from or related to any Unintended Uses of Cypress products.

Cypress, the Cypress logo, Spansion, the Spansion logo, and combinations thereof, PSoC, CapSense, EZ-USB, F-RAM, and Traveo are trademarks or registered trademarks of Cypress in the United States and other countries. For a more complete list of Cypress trademarks, visit cypress.com. Other names and brands may be claimed as property of their respective owners.