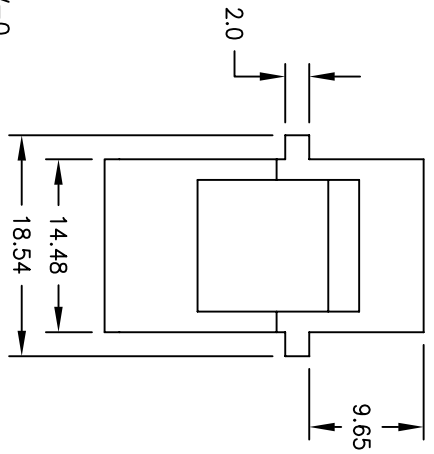
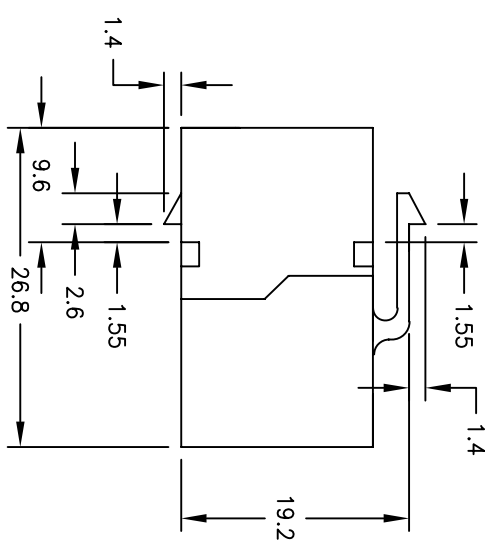
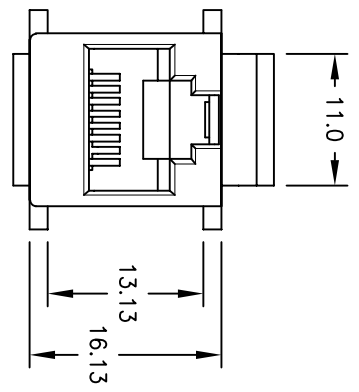


Rev	AWO #	Description	Date	Appr
-		RELEASED	9/22/06	

APPROVED: _____
 DATE: _____ TITLE: _____



SPECIFICATIONS:

- Material: Insulator: Polycarbonate, rated UL 94V-0
- Insulator color: White
- Contacts: Phosphor Bronze
- Plating: Gold Flash over Nickel underplate on contact area, Tin over Copper underplate between contact areas
- Electrical:
 - Operating voltage: 150 VAC max.
 - Current rating: 1.5 Amps max.
 - Contact resistance: 20 mohms max.
 - Insulation resistance: 1000 Mohms min. @ 500 VDC
 - Dielectric withstanding voltage: 1000 VAC for 1 minute
- Temperature Rating: Operating temperature: -40°C to +70°C
- Environmental: Lead free, RoHS Compliant

UNLESS OTHERWISE SPECIFIED
 ALL DIMENSIONS ARE MILLIMETERS
 TOLERANCES: EXCEPT AS NOTED
 .X ± 2.54
 .XX ± .508
 .XXX ± .381

ADAM TECH

909 Rahway Avenue, Union, NJ 07083
 Phone: 908-687-5000 Fax: 908-687-5710

TITLE: MODULAR TELEPHONE JACK COUPLER
 8P8C, PANEL MOUNT, COLOR WHITE

APPROVALS	DATE
DRAWN SS	9/22/06
CHECKED	
APPROVED	

SIZE	PART NO.	REV.
X	MTJC-88-PW	-

SCALE: NTS SHEET 1 OF 1

