



STB85NS04Z STB85NS04Z-1

N-channel 11mΩ - 80A - D²PAK - I²PAK
SAFeFET™ Power MOSFET

General features

Type	V _{DSS}	R _{DS(on)}	I _D
STB85NS04Z	Clamped	< 0.015Ω	80A ⁽¹⁾
STB85NS04Z-1	Clamped	< 0.015Ω	80A ⁽¹⁾

1. Current limited by wire bonding

- 100% avalanche tested
- Low capacitance and gate charge
- 175°C maximum junction temperature

Description

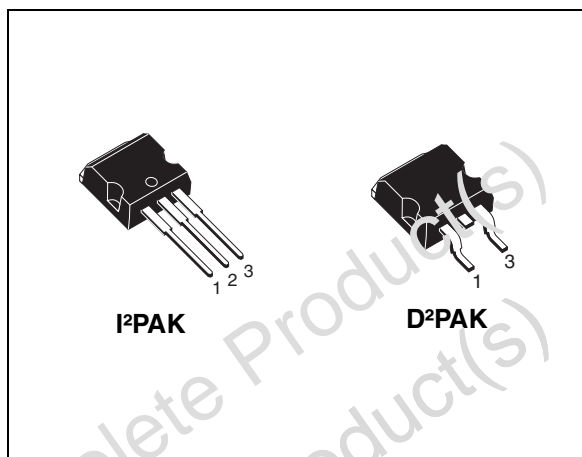
This fully clamped Power MOSFET is produced by using the latest advanced Company's Mesh Overlay™ process which is based on a novel strip layout. The inherent benefits of the new technology coupled with the extra clamping capabilities make this product particularly suitable for the harshest operation conditions such as those encountered in the automotive environment. Any other application requiring extra ruggedness is also recommended.

Applications

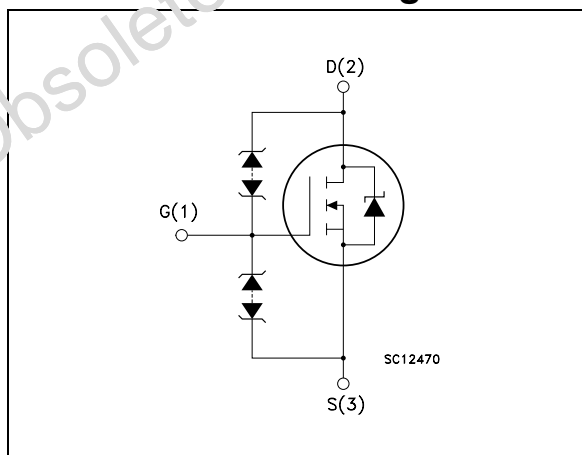
- Switching application
 - Automotive

Order codes

Part number	Marking	Package	Packaging
STB85NS04ZT4	B85NS04Z	D ² PAK	Tape & reel
STB85NS04Z-1	B85NS04Z-1	I ² PAK	Tube



Internal schematic diagram



Contents

1	Electrical ratings	3
2	Electrical characteristics	5
2.1	Electrical characteristics (curves)	7
3	Test circuit	9
4	Package mechanical data	10
5	Packaging mechanical data	13
6	Revision history	14

Obsolete Product(s) - Obsolete Product(s)
Obsolete Product(s) - Obsolete Product(s)

1 Electrical ratings

Table 1. Absolute maximum ratings

Symbol	Parameter	Value	Unit
V_{DS}	Drain-source voltage ($V_{GS}=0$)	33 ⁽¹⁾	V
V_{GS}	Gate-source voltage	± 18	V
I_D	Drain current (continuous) at $T_C = 25^\circ\text{C}$	80 ⁽²⁾	A
I_D	Drain current (continuous) at $T_C = 100^\circ\text{C}$	60	A
I_{DG}	Drain gate current (continuous)	± 50	nA
I_{GS}	Gate source current (continuous)	± 50	mA
$I_{DM}^{(3)}$	Drain current (pulsed)	320	A
	Derating factor	1.43	W/°C
P_{TOT}	Total dissipation at $T_C = 25^\circ\text{C}$	215	W
$V_{ESD(G-S)}$	Gate-source ESD (HBM-C=100pF, R=1.5k Ω)	2	kV
$V_{ESD(G-D)}$	Gate-drain ESD (HBM-C=100pF, R=1.5k Ω)	4	kV
$V_{ESD(D-S)}$	Drain-source ESD (HBM-C=100pF, R=1.5k Ω)	4	kV
T_j	Operating junction temperature	-55 to 175	°C
T_{stg}	Storage temperature		

1. Voltage is limited by zener diodes
2. Current limited by wire bonding
3. Pulse width limited by safe operating area

Table 2. Thermal data

Symbol	Parameter	Value		Unit
		D ² PAK	I ² PAK	
$R_{thj-case}$	Thermal resistance junction-case max	0.7		°C/W
$R_{thj-pcb}^{(1)}$	Thermal resistance junction-pcb max	35	--	°C/W
$R_{thj-amb}$	Thermal resistance junction-amb max	62.5		°C/W
T_l	Maximum lead temperature for soldering purpose	300		°C

1. When mounted on 1inch² FR-4 board, 2 oz Cu

Table 3. Avalanche characteristics

Symbol	Parameter	Max value	Unit
I_{AS}	Avalanche current, repetitive or not-repetitive (pulse width limited by T_J max)	60	A
E_{AS}	Single pulse avalanche energy (starting $T_J=25^\circ\text{C}$, $I_D=I_{AS}$, $V_{DD}=30\text{V}$)	550	mJ

Obsolete Product(s) - Obsolete Product(s)
Obsolete Product(s) - Obsolete Product(s)

2 Electrical characteristics

($T_{CASE}=25^{\circ}C$ unless otherwise specified)

Table 4. On/off states

Symbol	Parameter	Test conditions	Min.	Typ.	Max.	Unit
$V_{(BR)DSS}$	Drain-source breakdown voltage	$I_D = 1mA, V_{GS} = 0$	33			V
I_{DSS}	Zero gate voltage drain current ($V_{GS} = 0$)	$V_{DS} = 16V,$ $V_{DS} = 16V, T_c=125^{\circ}C$			10 100	μA μA
I_{GSS}	Gate body leakage current ($V_{DS} = 0$)	$V_{GS} = \pm 10V$			10	μA
V_{GSS}	Gate-source breakdown voltage	$I_{GS} = 100\mu A$	13		25	V
R_G	Series gate resistance			14		Ω
$V_{GS(th)}$	Gate threshold voltage	$V_{DS} = V_{GS}, I_D = 1mA$	2	3	4	V
$R_{DS(on)}$	Static drain-source on resistance	$V_{GS} = 10V, I_D = 30A$		11	15	m Ω

Table 5. Dynamic

Symbol	Parameter	Test conditions	Min.	Typ.	Max.	Unit
g_{fs}	Forward transconductance	$V_{DS} = 25V, I_D = 30A$		50		S
C_{iss}	Input capacitance			2500		pF
C_{oss}	Output capacitance	$V_{DS} = 25V, f = 1MHz, V_{GS} = 0$		800		pF
C_{rss}	Reverse transfer capacitance			150		pF
Q_g	Total gate charge	$V_{DD} = 16V, I_D = 60A$		68	100	nC
Q_{gs}	Gate-source charge	$V_{GS} = 10V$		15		nC
Q_{gd}	Gate-drain charge	(see Figure 14)		19		nC

Table 6. Switching times

Symbol	Parameter	Test conditions	Min.	Typ.	Max.	Unit
$t_{r(Voff)}$	Off-voltage rise time	$V_{clamp}=30V, I_D=60A$ $R_G=4.7\Omega, V_{GS}=10V$ <i>(see Figure 15)</i>		85		ns
t_f	Fall time			145		ns
t_c	Cross-over time			90		ns

Table 7. Source drain diode

Symbol	Parameter	Test conditions	Min	Typ.	Max	Unit
I_{SD}	Source-drain current				80	A
I_{SDM}	Source-drain current (pulsed)				320	A
$V_{SD}^{(1)}$	Forward on voltage	$I_{SD}=60A, V_{GS}=0$			1.5	V
t_{rr}	Reverse recovery time	$I_{SD}=60A, V_{DD}=100V$ $di/dt=25A/\mu s, T_j=150^\circ C$ <i>(see Figure 18)</i>		65		ns
Q_{rr}	Reverse recovery charge			0.15		μC
I_{RRM}	Reverse recovery current			4.5		A

1. Pulsed: pulse duration = 300 μs , duty cycle 1.5%

2.1 Electrical characteristics (curves)

Figure 1. Safe operating area

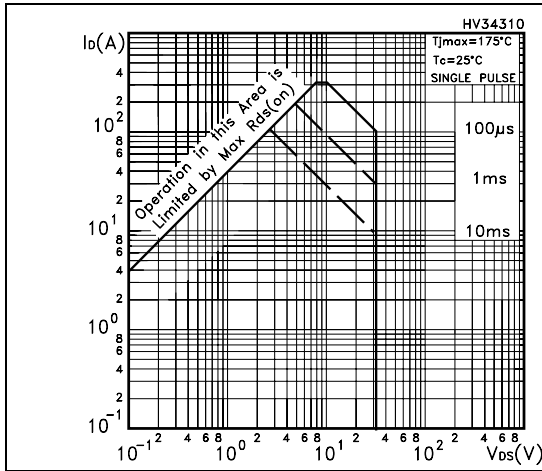


Figure 2. Thermal impedance

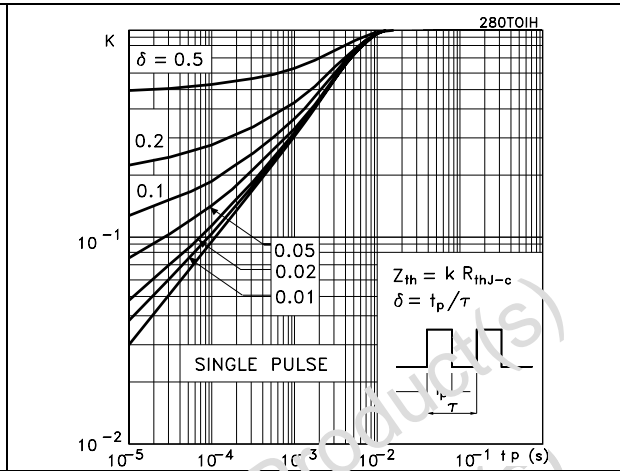


Figure 3. Output characteristics

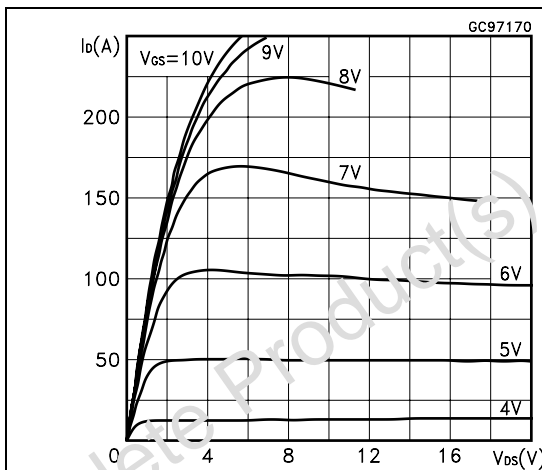


Figure 4. Transfer characteristics

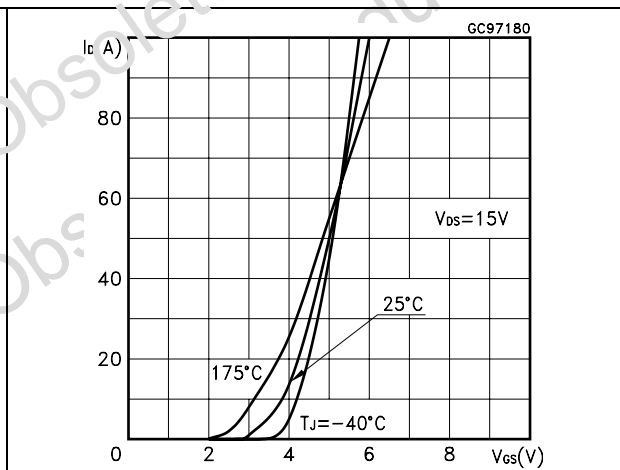


Figure 5. Transconductance

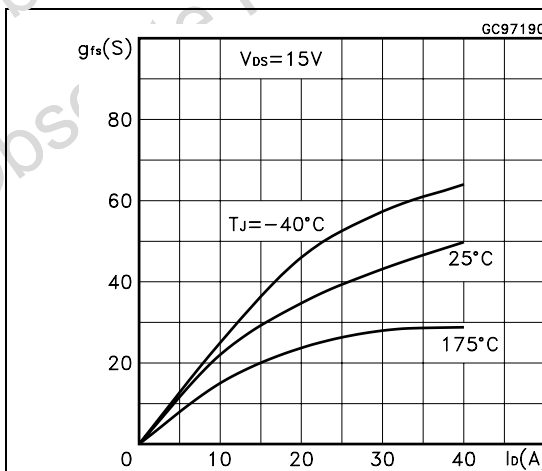


Figure 6. Static drain-source on resistance

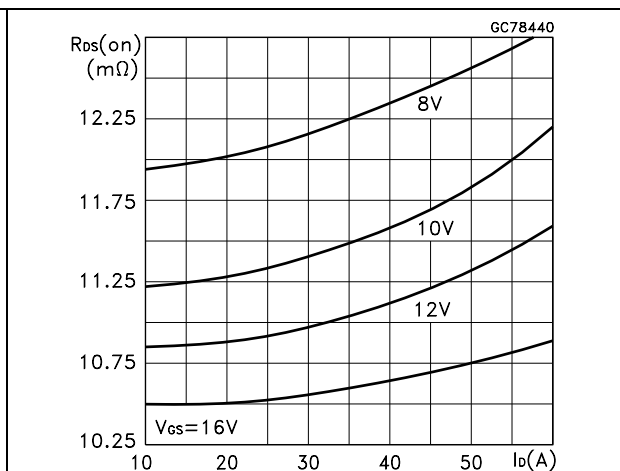


Figure 7. Gate charge vs gate-source voltage Figure 8. Capacitance variations

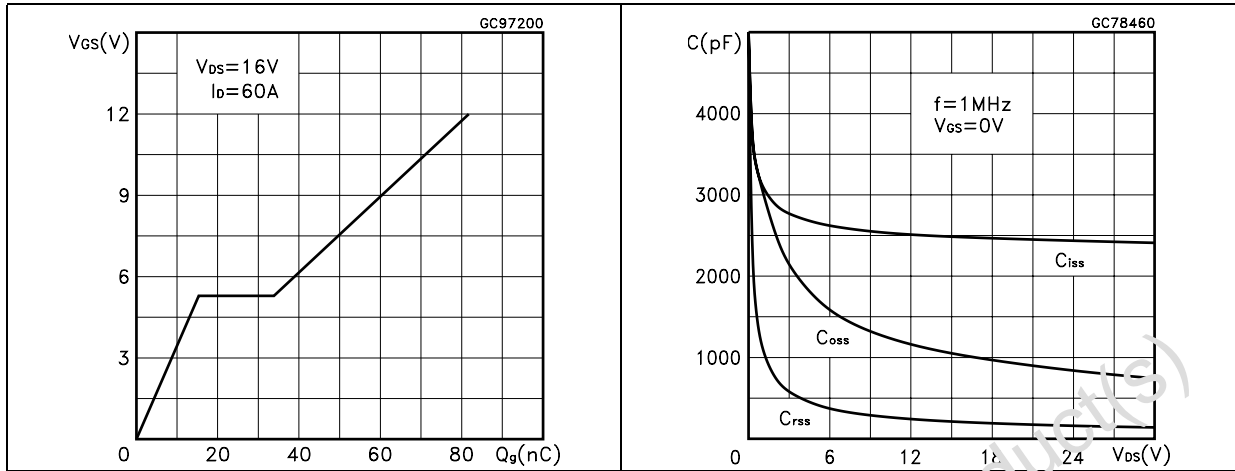


Figure 9. Normalized gate threshold voltage vs temperature Figure 10. Normalized on resistance vs temperature

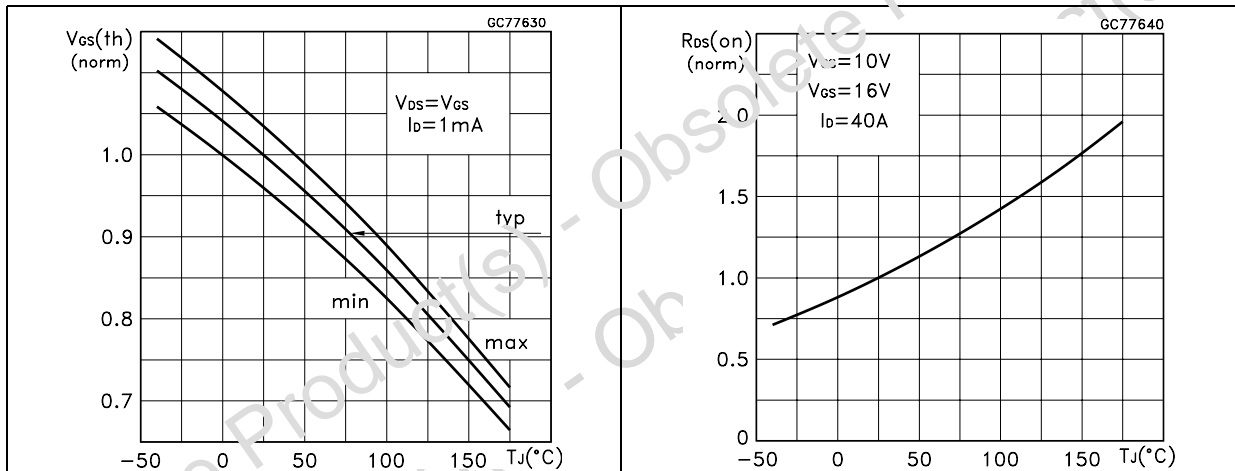
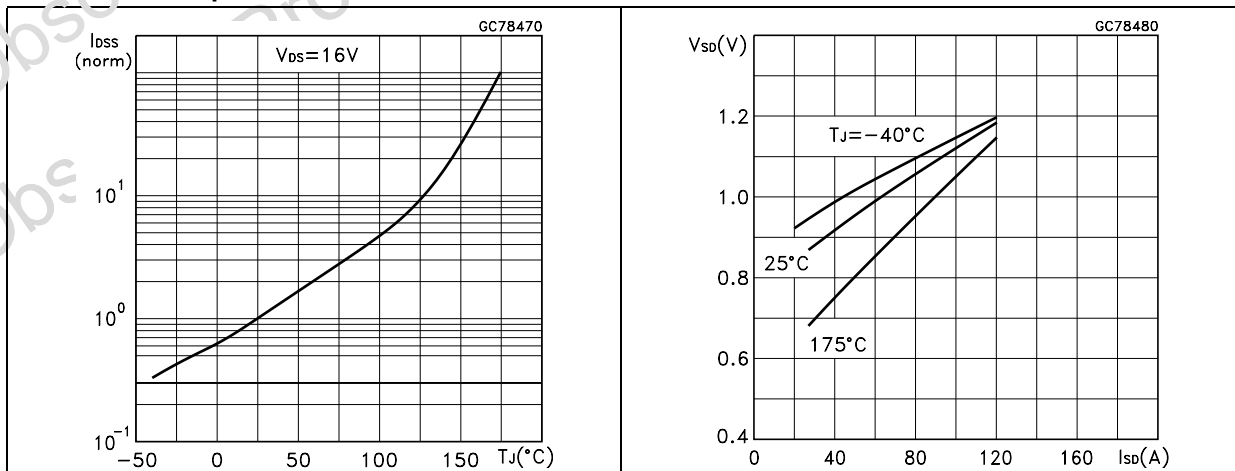


Figure 11. Zero gate voltage drain current vs temperature Figure 12. Source-drain diode forward characteristics



3 Test circuit

Figure 13. Switching times test circuit for resistive load

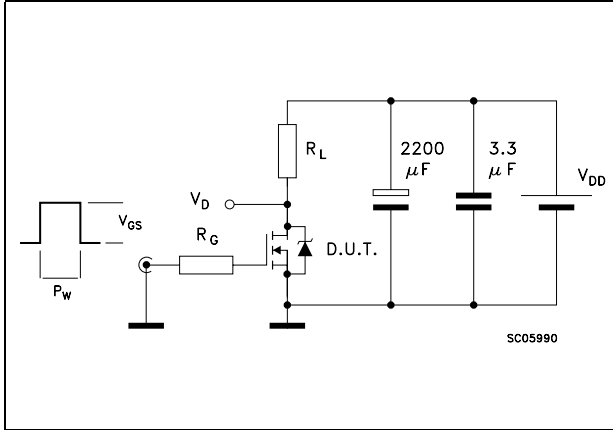


Figure 14. Gate charge test circuit

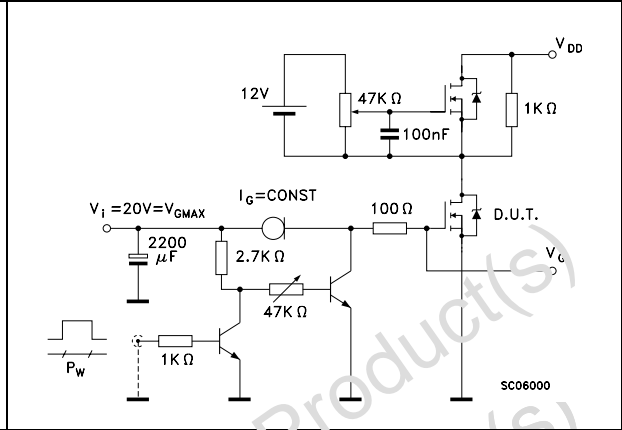


Figure 15. Test circuit for inductive load switching and diode recovery times

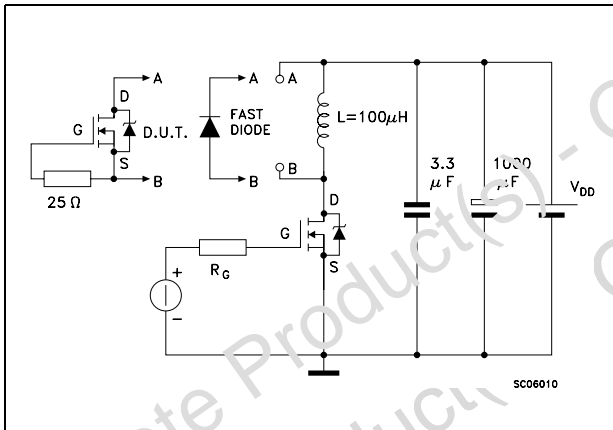


Figure 16. Unclamped inductive load test circuit

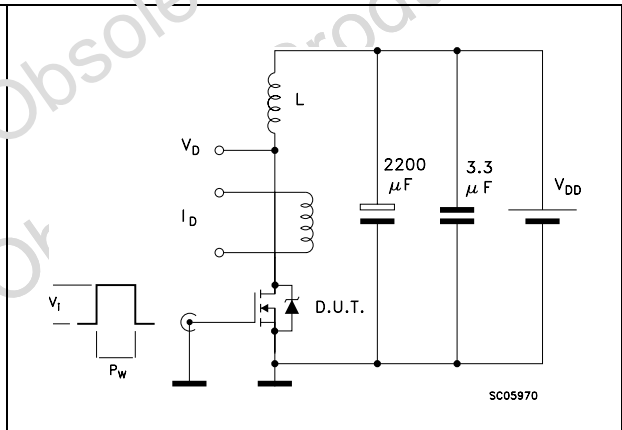


Figure 17. Unclamped inductive waveform

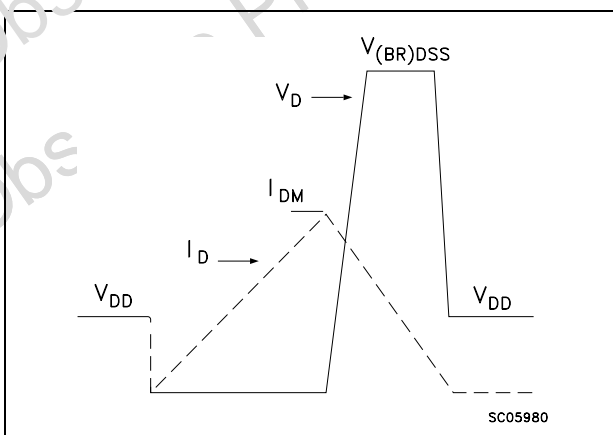
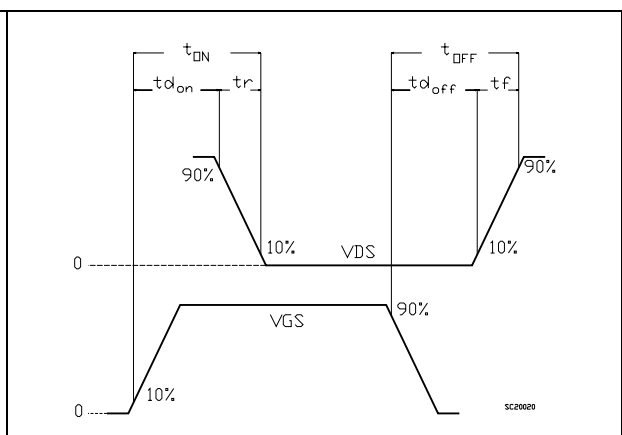


Figure 18. Switching time waveform



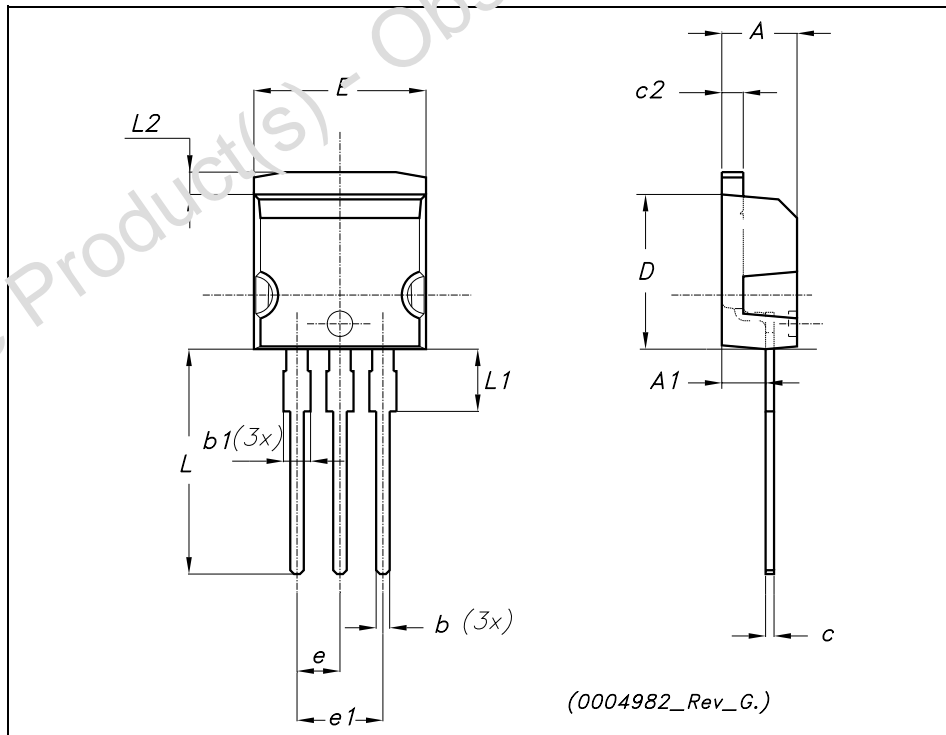
4 Package mechanical data

In order to meet environmental requirements, ST offers these devices in ECOPACK® packages. These packages have a Lead-free second level interconnect . The category of second level interconnect is marked on the package and on the inner box label, in compliance with JEDEC Standard JESD97. The maximum ratings related to soldering conditions are also marked on the inner box label. ECOPACK is an ST trademark. ECOPACK specifications are available at: www.st.com

Obsolete Product(s) - Obsolete Product(s)
Obsolete Product(s) - Obsolete Product(s)

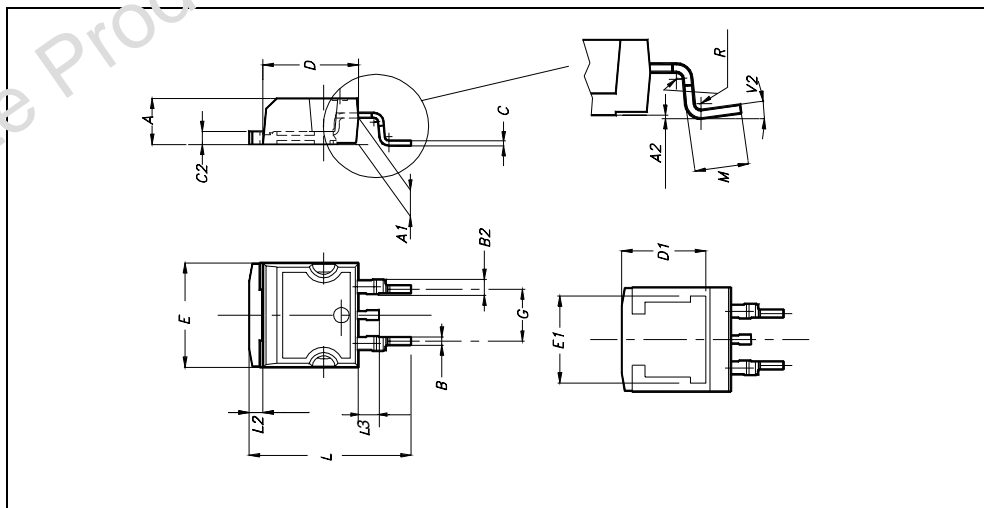
TO-262 (I²PAK) MECHANICAL DATA

DIM.	mm.			inch		
	MIN.	TYP.	MAX.	MIN.	TYP.	MAX.
A	4.40		4.60	0.173		0.181
A1	2.40		2.72	0.094		0.107
b	0.61		0.88	0.024		0.034
b1	1.14		1.70	0.044		0.066
c	0.49		0.70	0.019		0.027
c2	1.23		1.32	0.048		0.052
D	8.95		9.35	0.352		0.368
e	2.40		2.70	0.094		0.106
e1	4.95		5.15	0.194		0.202
E	10		10.40	0.393		0.410
L	13		14	0.511		0.551
L1	3.50		3.93	0.137		0.154
L2	1.27		1.40	0.050		0.055



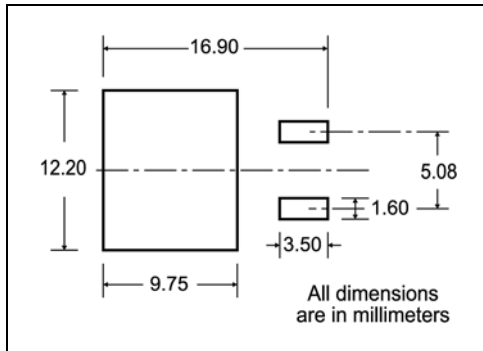
D²PAK MECHANICAL DATA

DIM.	mm.			inch		
	MIN.	TYP	MAX.	MIN.	TYP.	MAX.
A	4.4		4.6	0.173		0.181
A1	2.49		2.69	0.098		0.106
A2	0.03		0.23	0.001		0.009
B	0.7		0.93	0.027		0.036
B2	1.14		1.7	0.044		0.07
C	0.45		0.6	0.017		0.023
C2	1.23		1.36	0.048		0.053
D	8.95		9.35	0.352		0.368
D1		8			0.315	
E	10		10.4	0.393		
E1		8.5			0.334	
G	4.88		5.28	0.192		0.208
L	15		15.85	0.590		0.625
L2	1.27		1.4	0.050		0.055
L3	1.4		1.75	0.055		0.068
M	2.4		3.2	0.094		0.126
R		0.4			0.015	
V2	0°		4°			



5 Packaging mechanical data

D²PAK FOOTPRINT



TAPE AND REEL SHIPMENT

40 mm min. Access hole at slot location

Full radius

Tape slot in core for tape start 25mm min. width

G measured at hub

TAPE MECHANICAL DATA

DIM.	mm		inch	
	MIN.	MAX.	MIN.	MAX.
AC	10.5	10.7	0.413	0.421
BC	15.7	15.9	0.618	0.626
D	1.5	1.6	0.059	0.063
D1	1.59	1.61	0.062	0.063
E	1.65	1.85	0.065	0.073
F	11.4	11.6	0.449	0.456
K0	4.8	5.0	0.189	0.197
P0	3.9	4.1	0.153	0.161
P1	11.9	12.1	0.468	0.476
P2	1.9	2.1	0.075	0.082
R	50		1.574	
T	0.25	0.35	0.0098	0.0137
W	23.7	24.3	0.933	0.956

REEL MECHANICAL DATA

DIM.	mm		inch	
	MIN.	MAX.	MIN.	MAX.
A		330		12.992
B	1.5		0.059	
C	12.8	13.2	0.504	0.520
D	20.2		0.795	
G	24.4	26.4	0.960	1.039
N	100		3.937	
T		30.4		1.197

BASE QTY	BULK QTY
1000	1000

10 pitches cumulative tolerance on tape +/- 0.2 mm

TOP COVER TAPE

Center line of cavity

User Direction of Feed

TRL

FEED DIRECTION

Bending radius R min.

* on sales type

6 Revision history

Table 8. Revision history

Date	Revision	Changes
25-Sep-2006	1	First release

Obsolete Product(s) - Obsolete Product(s)
Obsolete Product(s) - Obsolete Product(s)

Please Read Carefully:

Information in this document is provided solely in connection with ST products. STMicroelectronics NV and its subsidiaries ("ST") reserve the right to make changes, corrections, modifications or improvements, to this document, and the products and services described herein at any time, without notice.

All ST products are sold pursuant to ST's terms and conditions of sale.

Purchasers are solely responsible for the choice, selection and use of the ST products and services described herein, and ST assumes no liability whatsoever relating to the choice, selection or use of the ST products and services described herein.

No license, express or implied, by estoppel or otherwise, to any intellectual property rights is granted under this document. If any part of this document refers to any third party products or services it shall not be deemed a license grant by ST for the use of such third party products or services, or any intellectual property contained therein or considered as a warranty covering the use in any manner whatsoever of such third party products or services or any intellectual property contained therein.

UNLESS OTHERWISE SET FORTH IN ST'S TERMS AND CONDITIONS OF SALE ST DISCLAIMS ANY EXPRESS OR IMPLIED WARRANTY WITH RESPECT TO THE USE AND/OR SALE OF ST PRODUCTS INCLUDING WITHOUT LIMITATION IMPLIED WARRANTIES OF MERCHANTABILITY, FITNESS FOR A PARTICULAR PURPOSE (AND THEIR EQUIVALENTS UNDER THE LAWS OF ANY JURISDICTION), OR INFRINGEMENT OF ANY PATENT, COPYRIGHT OR OTHER INTELLECTUAL PROPERTY RIGHT.

UNLESS EXPRESSLY APPROVED IN WRITING BY AN AUTHORIZED ST REPRESENTATIVE, ST PRODUCTS ARE NOT RECOMMENDED, AUTHORIZED OR WARRANTED FOR USE IN MILITARY, AIR CRAFT, SPACE, LIFE SAVING, OR LIFE SUSTAINING APPLICATIONS, NOR IN PRODUCTS OR SYSTEMS WHERE FAILURE OR MALFUNCTION MAY RESULT IN PERSONAL INJURY, DEATH, OR SEVERE PROPERTY OR ENVIRONMENTAL DAMAGE. ST PRODUCTS WHICH ARE NOT SPECIFIED AS "AUTOMOTIVE GRADE" MAY ONLY BE USED IN AUTOMOTIVE APPLICATIONS AT USER'S OWN RISK.

Resale of ST products with provisions different from the statements and/or technical features set forth in this document shall immediately void any warranty granted by ST for the ST product or service described herein and shall not create or extend in any manner whatsoever, any liability of ST.

ST and the ST logo are trademarks or registered trademarks of ST in various countries.

Information in this document supersedes and replaces all information previously supplied.

The ST logo is a registered trademark of STMicroelectronics. All other names are the property of their respective owners.

© 2006 STMicroelectronics - All rights reserved

STMicroelectronics group of companies

Australia - Belgium - Brazil - Canada - China - Czech Republic - Finland - France - Germany - Hong Kong - India - Israel - Italy - Japan - Malaysia - Malta - Morocco - Singapore - Spain - Sweden - Switzerland - United Kingdom - United States of America

www.st.com