

UE410-CAN4

Flexi Classic

SAFETY CONTROLLERS / NETWORK SOLUTIONS

SICK
Sensor Intelligence.

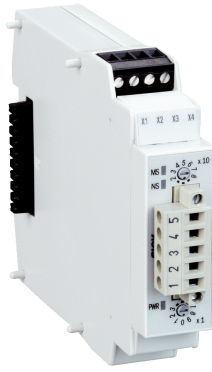


Illustration may differ



Ordering information

Type	Part no.
UE410-CAN4	6033112

Other models and accessories → www.sick.com/Flexi_Classic

Detailed technical data

Features

Module	Gateway
Fieldbus, industrial network	CANopen
Configuration method	Via rotary switch

Interfaces

Connection type	1 x female connector, Open Style, 5-pin
Data transmission rate	1,000 kbit/s
Diagnostic outputs	4 (X1 - X4)
Connection type diagnostic outputs	Plug-in spring terminals
Display elements	LEDs
Fieldbus, industrial network	CANopen
Type of fieldbus integration	Integrated in the device

Electrical data

Protection class	III (EN 61140)
Voltage supply	Via FLEXPBUS
Power consumption	≤ 1.6 W (DC)
Internal power consumption	≤ 1.6 W (DC)

Mechanical data

Dimensions (W x H x D)	22.5 mm x 96.5 mm x 120.8 mm
Weight	160 g

Ambient data

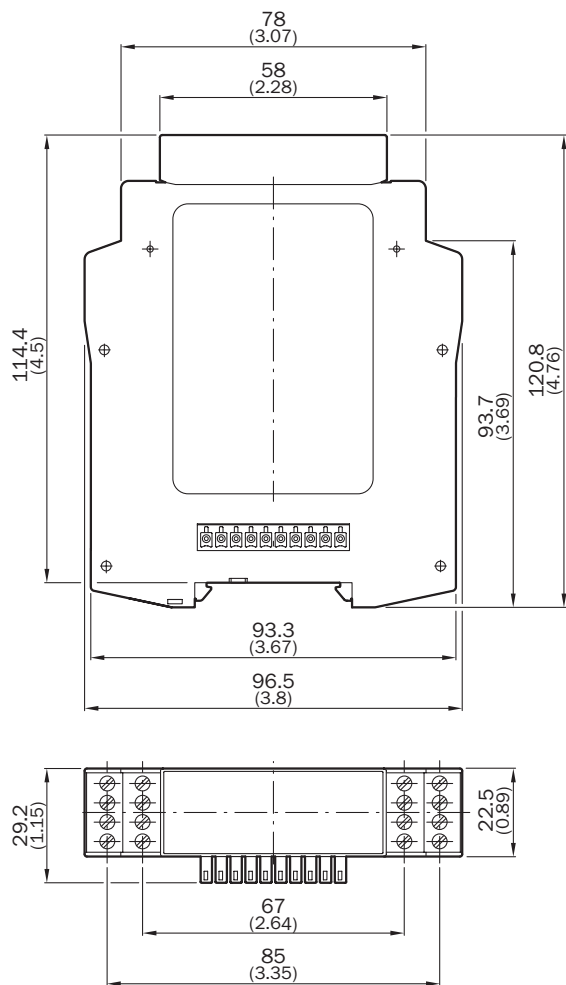
Enclosure rating	
Housing	IP40 (EN 60529)
Terminals	IP20 (EN 60529)

Ambient operating temperature	-25 °C ... +55 °C
Storage temperature	-25 °C ... +70 °C
Air humidity	15 % ... 95 %, Non-condensing
Climate conditions according to	EN 61131-2 (55 °C ambient operating temperature, 95% rel. humidity)
Electromagnetic compatibility (EMC)	Class A (EN 61000-6-2, EN 55011)
Vibration resistance	5 g RMS, 5 Hz ... 500 Hz (EN 60068-2-64)

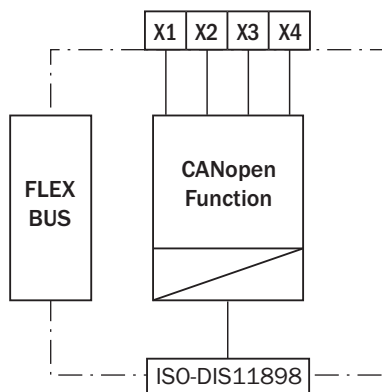
Classifications

ECl@ss 5.0	27242290
ECl@ss 5.1.4	27249090
ECl@ss 6.0	27249090
ECl@ss 6.2	27249090
ECl@ss 7.0	27249090
ECl@ss 8.0	27249090
ECl@ss 8.1	27249090
ECl@ss 9.0	27249090
ETIM 5.0	EC002632
ETIM 6.0	EC002632
UNSPSC 16.0901	32151705

Dimensional drawing (Dimensions in mm (inch))



Connection diagram



SICK AT A GLANCE

SICK is one of the leading manufacturers of intelligent sensors and sensor solutions for industrial applications. A unique range of products and services creates the perfect basis for controlling processes securely and efficiently, protecting individuals from accidents and preventing damage to the environment.

We have extensive experience in a wide range of industries and understand their processes and requirements. With intelligent sensors, we can deliver exactly what our customers need. In application centers in Europe, Asia and North America, system solutions are tested and optimized in accordance with customer specifications. All this makes us a reliable supplier and development partner.

Comprehensive services complete our offering: SICK LifeTime Services provide support throughout the machine life cycle and ensure safety and productivity.

For us, that is “Sensor Intelligence.”

WORLDWIDE PRESENCE:

Contacts and other locations –www.sick.com