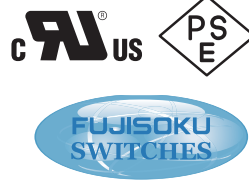


New

CF-TB

Miniature Power Toggle Switch



RoHS Compliant

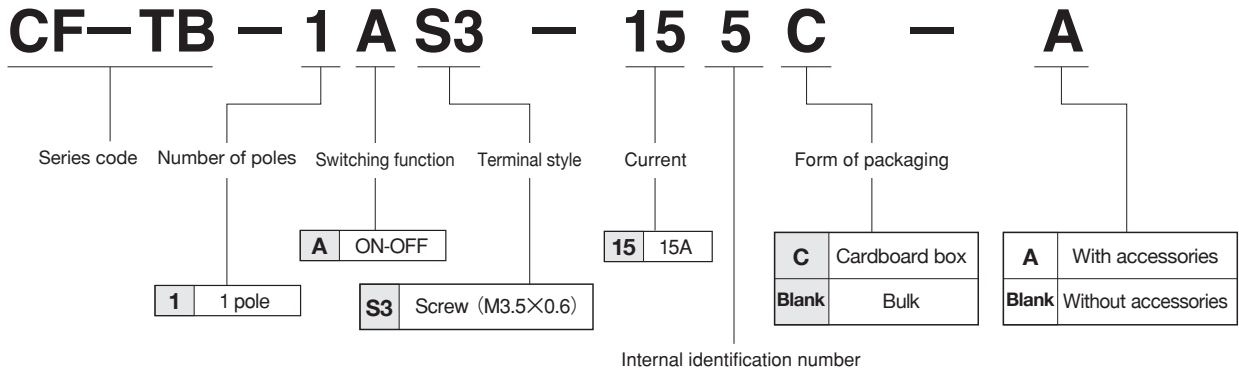
Features

1. Miniature toggle switch with small footprint.
2. Reinforced insulation by adopting resin frame & lever.
3. **C-US UL** recognized. **PSE** certified.
4. 90 A inrush current capability.

Specifications

Rating		15A 125VAC 8A 250VAC
	C-US·UL	15(15)A 127VAC 8(8)A 250VAC
Initial contact resistance	30mΩ max.	(1A 2~4VDC)
Dielectric strength	1,500VAC 1 minute	
Insulation resistance	100MΩ min.	(500VDC)
Electrical life	50,000 cycles	
Locknut tightening torque	78.4N·cm max.	
Operating temperature range	-10~+65°C	
Storage temperature range	-20~+85°C	

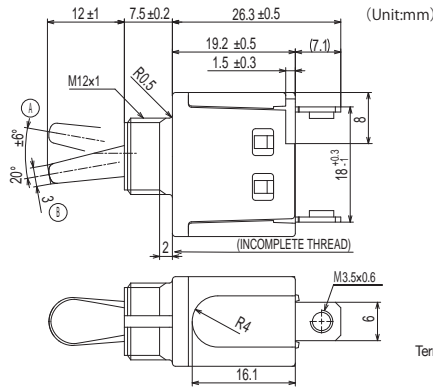
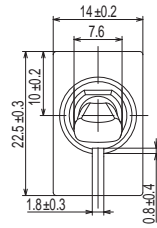
Part Numbering



CF-TB

CF-TB-1AS3

SPST



Switching function	Key way	Key way
Part No.		
CF-TB-1AS3-155	ON	OFF
CF-TB-1AS3-155C		
CF-TB-1AS3-155-A		
CF-TB-1AS3-155C-A		
Connecting terminals	1-3	—

Terminal numbers are shown on the bottom of the switch.

List of Part Numbers

Part No.	Accessories	Pieces in package	Form of packaging
CF-TB-1AS3-155	Without	5pcs./pack	Bulk
CF-TB-1AS3-155C	Without	1,000pcs./pack	Cardboard box
CF-TB-1AS3-155-A	With	5pcs./pack	Bulk
CF-TB-1AS3-155C-A	With	1,000pcs./pack	Cardboard box

Standard Accessories

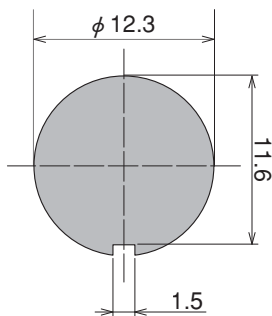
《Supplied separately》

Part Name	Screw	Lockwasher	Locknut	Lockwasher
Part No.	14000080993	140008030061	140008010286	140008030062
Dimensions				

Panel Cut-Out Dimensions

Panel thickness : 4 mm max.

(Unit:mm)



Packaging Specification

