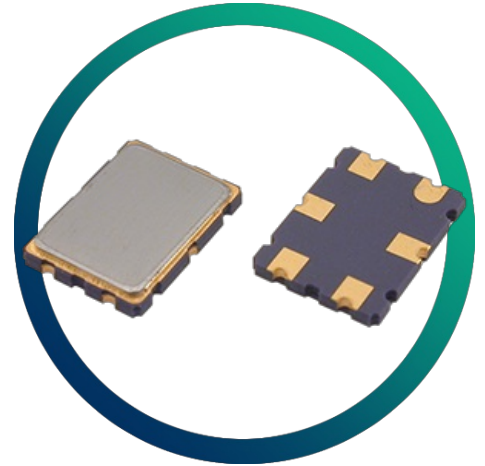


# GSF-75 45R12B

45MHz 4 pole crystal filter with  
12.0kHz 3dB bandwidth



- 4 pole filter in one package
- 45MHz centre frequency
- Custom specifications available
- Miniature SM package

## CONFIGURABLE OPTIONS

Parameter	Option Code
-----------	-------------

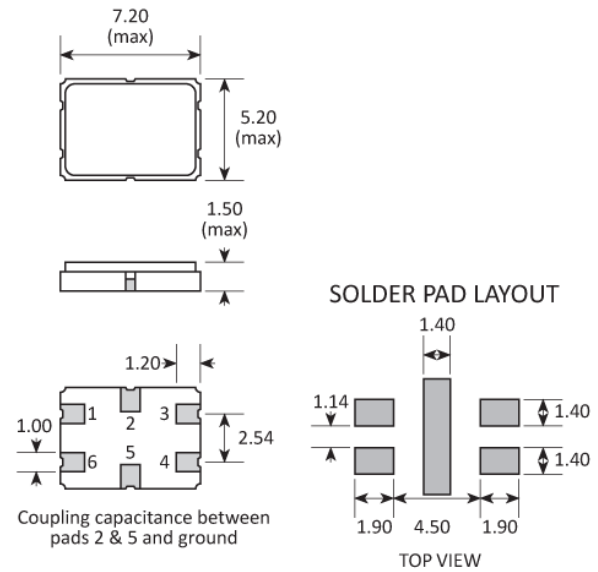
The GSF-75 45R12B has no configurable options.

Please see the specifications table for more details or contact our team today if you have other specification requirements.

## SPECIFICATIONS

Centre frequency	45.0MHz
Dimensions	7.2 x 5.2 x 1.5mm
Operating temperature range	-20 to +70°C
Number of poles	4
Pass band	-3dB @ ±6.0kHz min
Attenuation band	-30dB @ ±20.0kHz max
In-band ripple	1.0dB max
Insertion loss	3.0dB max
Guaranteed attenuation	-80dB max -910 ±10kHz
Termination	950Ω // 1.2pF
Coupling capacitance (C <sub>c</sub> )	8.0pF
Number of units	1

## PACKAGE DRAWING



PAD	CONNECTION
1	Ground
2	Connect with pad 5 & C <sub>c</sub>
3	In / Out
4	Ground
5	Connect with pad 2 & C <sub>c</sub>
6	Out / In

Dimensions in mm

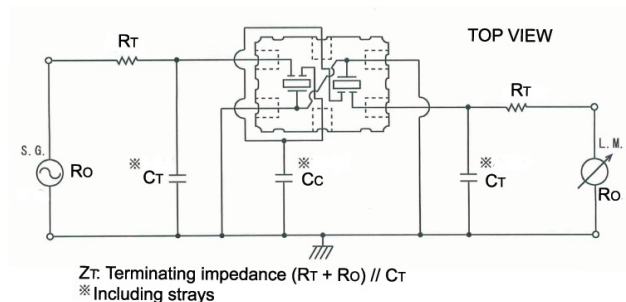
## ORDERING INFORMATION

To request a quotation for the GSF-75 45R12B please use the configurable options form to choose the options you require and then submit your configured product to our team. Our expert advisers are always happy to help with your requirements and can be contacted on +44 1460 256 100 or at [sales@golledge.com](mailto:sales@golledge.com).

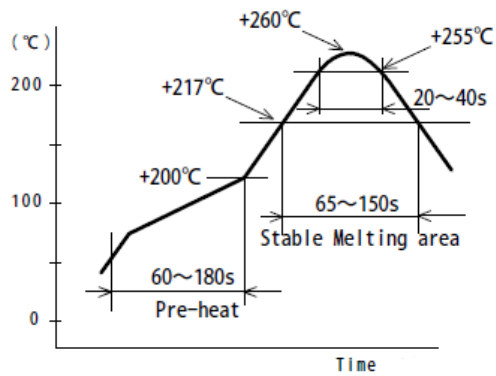
Following product selection you will be issued with a seven character Golledge part number. Your Golledge part number is the internationally accepted Golledge manufacturing part number (MPN) that should be used for all project documentation, including bills of materials (BoMs) and purchase orders.

If you have any queries regarding any of our documentation our dedicated sales team will be happy to help.

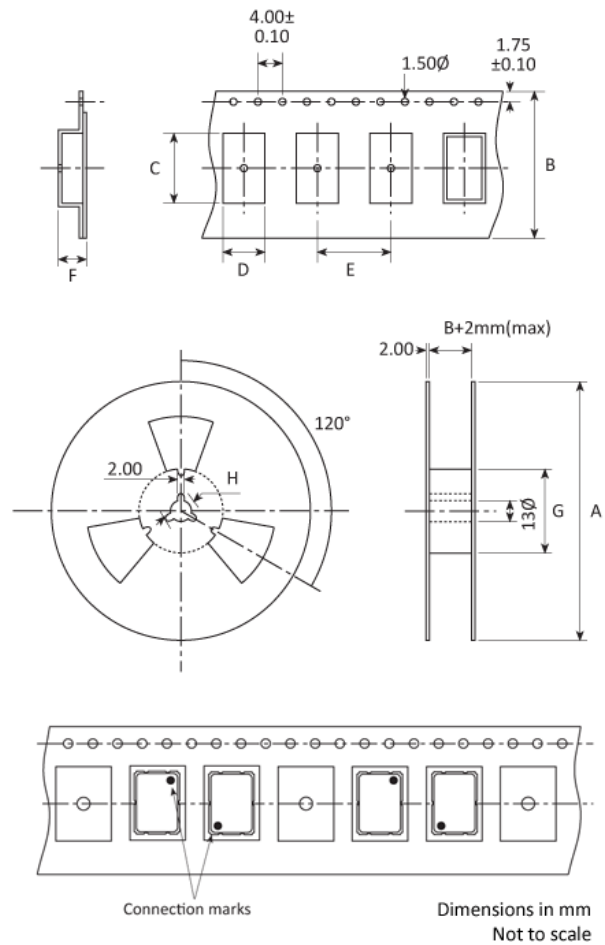
## TEST CIRCUIT



**SOLDERING PROFILE**



**TAPE & REEL SPECIFICATION**



A:250 B:17.5 C:7.9 D:5.4 E:8.0 F:1.7 G:80 H:21

**HANDLING & STORAGE**



Human Body Model (HBM) 1A (250V to <500V)



Moisture Sensitivity Level (MSL): 1 (or not applicable)

**CONSTRUCTION**

Ceramic base with metal lid

## MATERIAL COMPOSITION

---



Lead-free (< 0.1% by weight)



RoHS 2 compliant with no exemptions. [See our](#)

[declaration](#)



REACH compliant. [See our statement](#)



Free of conflict minerals. [See our declaration](#)



Free of Halogens. [See our declaration](#)



Free of Ozone-depleting substances. [See our](#)

[declaration](#)

## OTHER INFORMATION

### About Golledge

We are the UK's leading supplier of frequency control products and are proud to serve the global electronics industry. Our philosophy is a focus firmly on your requirements by striving to meet and exceed your needs. We do this by ensuring the utmost quality and consistency in our products and services. If you have any queries about the Golledge service or any of our products please get in touch, we'd love to hear from you.

### Come and visit

Eaglewood Park, ILMINSTER,  
Somerset, TA19 9DQ, England

### Give us a call

Tel: +44 1460 256 100  
Fax: +44 1460 256 101

### Email us

sales@golledge.com

### Our Worldwide Distributors

#### Belgium & Luxembourg

Alcom Electronics NV/SA



Email info@alcom.be  
Web www.alcom.be  
Tel +32 (0)3 458.30.33

#### China, Hong Kong - 中国 / 香港

Meiya China



Email sales@meiyatech.com  
Web www.meiyatech.com  
Tel +86 755 2823 1923

#### France

Equipments Scientifique



Email comp@es-france.com  
Web www.es-france.com  
Tel +33 1 47 95 99 89

#### Germany

MEV Elektronik Service GmbH



Email info@mev-elektronik.com  
Web www.mev-elektronik.com  
Tel +49 54 24 23 40-0

#### India

V5 Semiconductors



Email sales@v5semiconductors.com  
Web v5semiconductors.com  
Tel +91-80-2661 0621

#### Israel

Phoenix Technologies Ltd



Email sales@phnx.co.il  
Web www.phnx.co.il  
Tel +972 9 764 4800

#### Netherlands

Alcom Electronics BV



Email info@alcom.nl  
Web alcom.nl  
Tel +31 (0)10 288.25.00

#### Norway

Link Nordic



Email bjorn.nyjordet@linknordic.com  
Web linknordic.com  
Tel +47 93 22 68 90

#### Russia - Россия

EFO Ltd



Email elena@efo.ru  
Web www.golledge.ru  
Tel +7(812)327-8654

#### Spain & Portugal

R.C. Microelectronica, S.A.



Email ventas@rcmicro.es  
Web www.rcmicro.es  
Tel +34 93 260 21 66

Our customer feedback is testament to our quality; "Never had such good service as this from anyone in 35 years of being in the industry, this is impressive and has really helped us out of a corner to keep the design flowing" Andy (Senior Design Engineer), "As always your support is state of the art" Nicoleta (Material Management), "Legendary work - as usual it has to be said" John (Operations).

To take advantage of our highly praised service get in touch with us today.