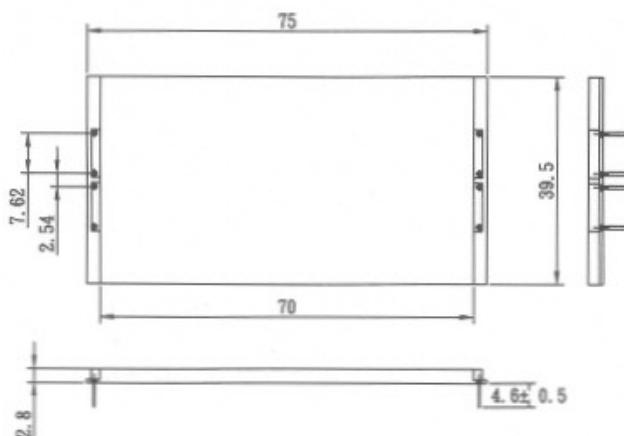


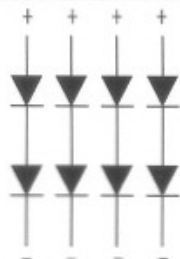
**LIGITEK****BACKLIGHT****L-00801G-S**

SERIES

Package Dimension:



Note:1.All dimension in millimeter tolerance is  $\pm 0.25\text{mm}$  unless otherwise noted.  
2.Specifications are subject to change without notice.



2X4=8(LED NUMBERS)

**Electrical/Optical Characteristics(Ta=25°C) Emitting Color:Green**

PARAMETER	SYMBOL	MIN	TYP	MAX	UNIT	TEST CONDITION
Luminous Intensity	IV	40	64	—	cd/m <sup>2</sup>	IF=10mA
Forward Voltage	VF	—	4.2	4.8	V	IF=10mA
Peak wave length	$\lambda P$	—	570	—	nm	IF=10mA
Spectral halfwidth	$\Delta \lambda$	—	30	—	nm	IF=10mA
Reverse current	IR	—	—	10	$\mu A$	VR=5V

**Absolute Maximun Rating(Ta=25°C)**

CHARACTERISTICS	SYMBOL	RATING	UNIT
Peak Forward Current	IDD	20	mA
Power Dissipation	Po	0.08	W
Reverse Voltage	VR	5	V
Operating Temperature	Topr	-20 TO +75	°C
Storage Temperature	Tstg	-30 TO +85	°C

文件編號 : QW0905-L-00801G-S 版本 : A 生效日期 : 15-Sep-2000