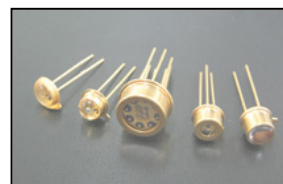




## SPD17-0F

### TECHNICAL DATA

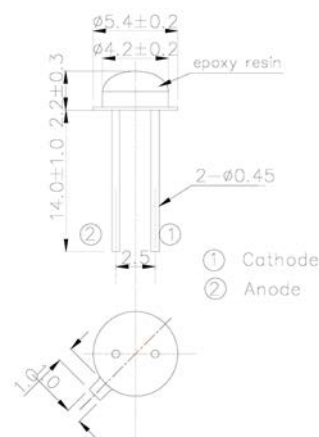


## Silicone PD, TO package

SPD17-0T is a PIN-photodiode containing a large chip with 1.3x1.3 mm active area, mounted on a TO-46 stem and hermetical sealed with epoxy resin. This device is featuring excellent responsibility and a high photocurrent. It's designed to be easy of setting up optically with a wide angle of half sensitivity of  $\pm 55$  degrees.

### Specifications

- Spectral Responsivity (Peak): 900 nm
- Chip Size: 1.5 x 1.5 mm
- Active Area: 1.3 x 1.3 mm
- Package: TO-46
- Type: epoxy resin
- Lens: epoxy resin



(Unit: mm)

### Absolute Maximum Ratings ( $T_A=25^\circ\text{C}$ )

Item	Symbol	Value	Unit
Reverse Breakdown Voltage	$V_{(BR)R}$	170	V
Operating Temperature	$T_{opr}$	-25 ... +100	$^\circ\text{C}$
Storage Temperature	$T_{stg}$	-30 ... +125	$^\circ\text{C}$
Soldering Temperature *1	$T_{sol}$	240	$^\circ\text{C}$

\*1 must be completed within 3 seconds at  $240^\circ\text{C}$

### Electro-Optical Characteristics

Item	Symbol	Condition	Min.	Typ.	Max.	Unit
Reverse Photo Current	$I_L$	$V_R=10\text{V}$ , $L=1000\text{Lx}$	-	25	-	$\mu\text{A}$
Reverse Dark Current	$I_D$	$V_R=10\text{V}$	-	-	10	nA
Open Circuit Voltage	$V_{OC}$	$V_R=10\text{V}$ , $L=1000\text{Lx}$	-	410	-	mV
Spectral Responsivity (Peak)	$\lambda_P$		-	900	-	nm
Half Angle of Sensitivity	$\Theta_{1/2}$		-	$\pm 55$	-	deg
Total Capacitance	$C_T$	$V_R=10\text{V}$ , $f=1\text{MHz}$	-	6	-	pF
Rise Time (10-90%)	$t_r$	$R_L=1\text{K}\Omega$ , $V_R=10\text{V}$	-	10	-	ns
Fall Time (10-90%)	$t_f$		-	10	-	ns

**Note:** The above specifications are for reference purpose only and subjected to change without prior notice.